

FPGA/CPLD DIL MODULE

CPLD GOP DIL Series

Introduction

The GOP module series are mini-modules composed of a CPLD device with a PAL/GAL compatible 24 pin DIL footprint.

Overview

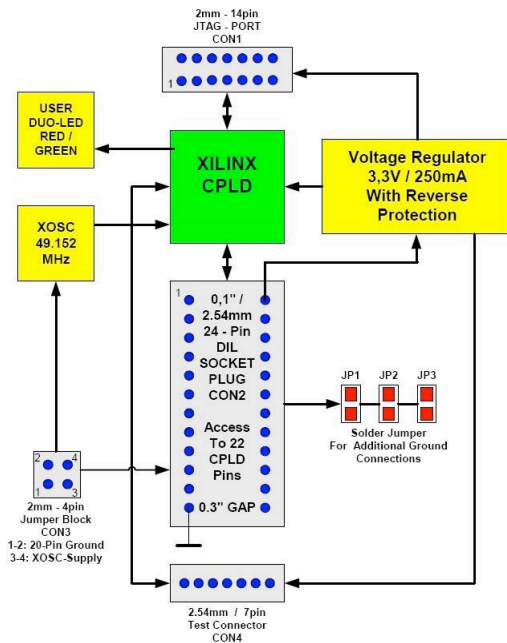


Figure 3: GOP_CPLD board overview

Specifications

Product	GOP_XC9572XL	GOP_XCR3064XL	GOP_XC2C64
Xilinx CPLD	XC9572XL-10VQ44C	XCR3064XL-10VQ44C	XC2C64-7VQ44C
Clock	49.152 MHz		
Signal	1 user dual led red/green		
Power Supply	3.5V to 5.5V (on Pin24)		2.7V to 3.6V
Dimensions	40.5mm x 20mm		
Weight	7g		

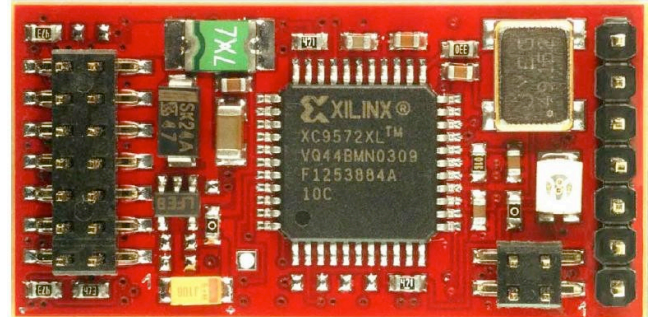


Figure 4: CPLD GOP DIL-module

Features

- Onboard clock oscillator for audio or RS232 applications
- Solder jumpers for additional ground connections
- Programmable ground I/O pins decrease ground bounce problems
- Inputs are 5V tolerant (except for XC2C64)

Applications

- Upgrade from PAL/GAL devices
- Fast evaluation of Xilinx CPLD's
- Rapid Prototyping
- Battery operated equipment
- Hardware Platform for VHDL/VERILOG logic design courses
- Battery operated equipment



Trenz Electronic GmbH
 Borriesstr. 61 | 32257 Bünde|Germany
 CEO: Thorsten Trenz
 Local Court:
 Amtsgericht Bad Oeynhausen | HRB7185
 fon+49 (0) 5223 / 41652
 fax+49 (0) 5223 / 48945
 e-mail info@trenz-electronic.de
<http://www.trenz-electronic.de>

Trenz Electronic GmbH hereby disclaims any representations or warranty that this product is compatible with any particular 3rd party software and/or hardware except those mentioned in this document. Purchasers must determine for themselves the suitability and compatibility of the hardware and software in each and every particular instance.
 ©2007 Trenz Electronic GmbH. All rights reserved. Reproduction in whole or in part without written permission is prohibited. All trademarks are the property of their respective companies. Features and specifications are subject to change without notice.
 Document: PB-GOP, Rev. 1.05 as of 2008-01-02