

DO NOT SCALE FROM THIS PRINT

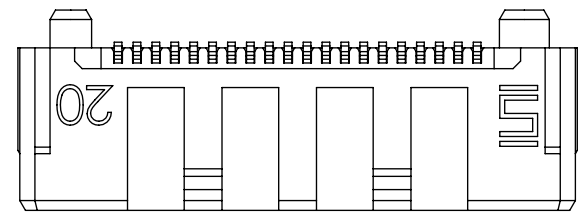
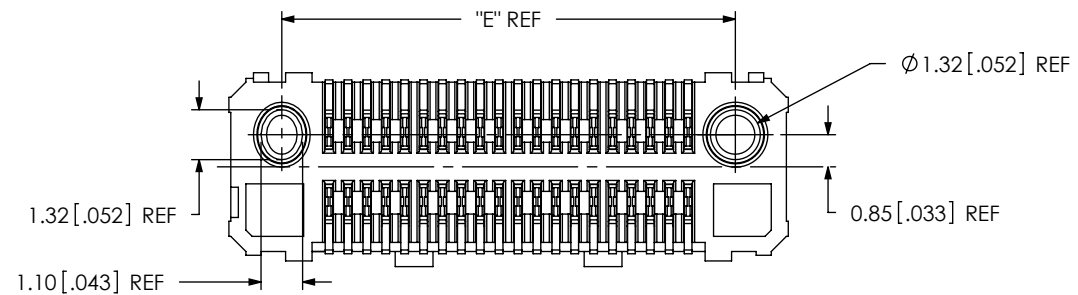
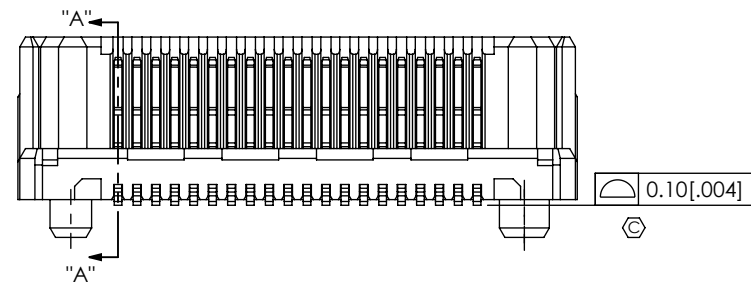
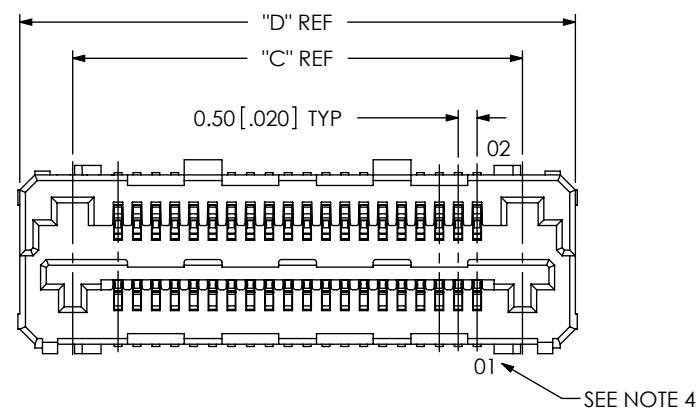


FIG. 1  
(LSHM-1XX-XX.X-XX-DV-A-N-X-TR SHOWN)

**LSHM-1XX-XX.X-XX-DV-A-X-X-TR**

No OF POSITIONS: 20,30,40,50

LEAD STYLE:  
\* -02.5  
\* -03.0  
-04.0  
-06.0

PLATING SPECIFICATION:  
-L: 10u"(0.25u"m) GOLD (MATTE TIN TAILS)  
-F: GOLD FLASH (MATTE TIN TAILS)

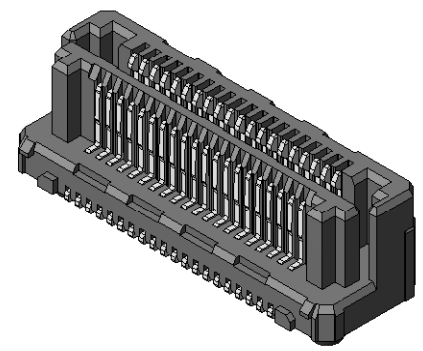
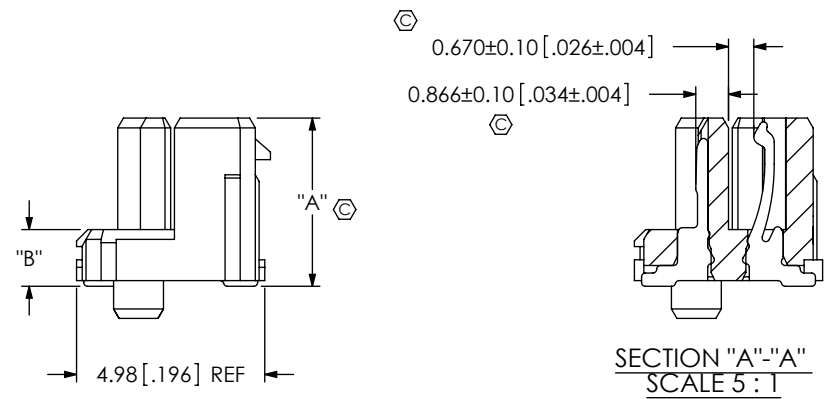
\* = NOT RELEASED FOR PRODUCTION

PACKAGING (SEE NOTE 6):  
-TR: TAPE & REEL


OPTION:  
-K: POLYIMIDE FILM (USE K-500-300, SEE FIG. 3, SHT 3)

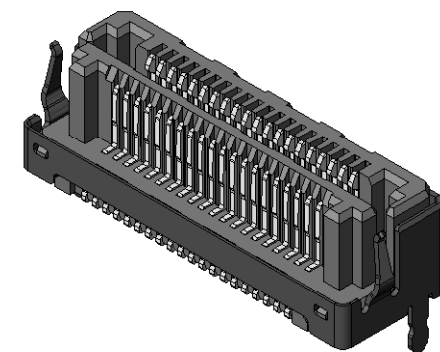
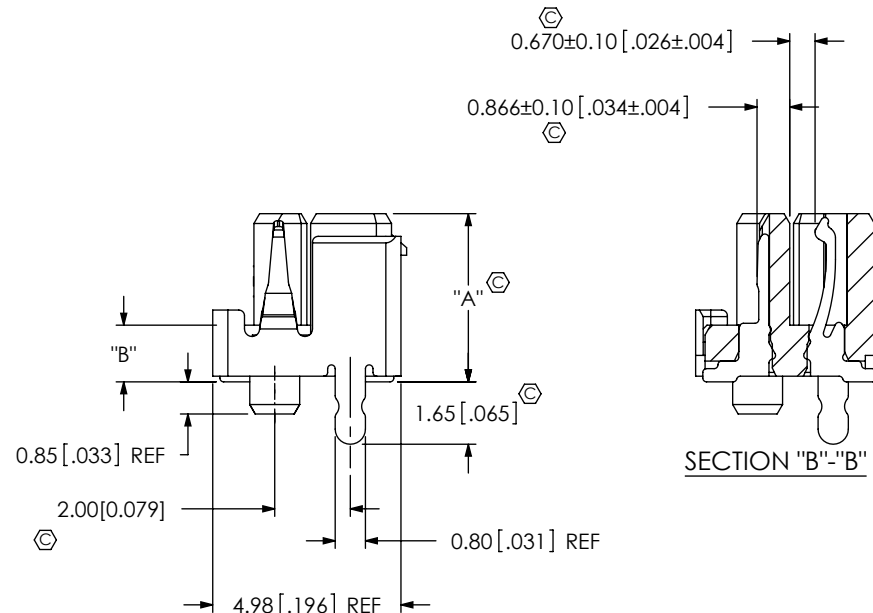
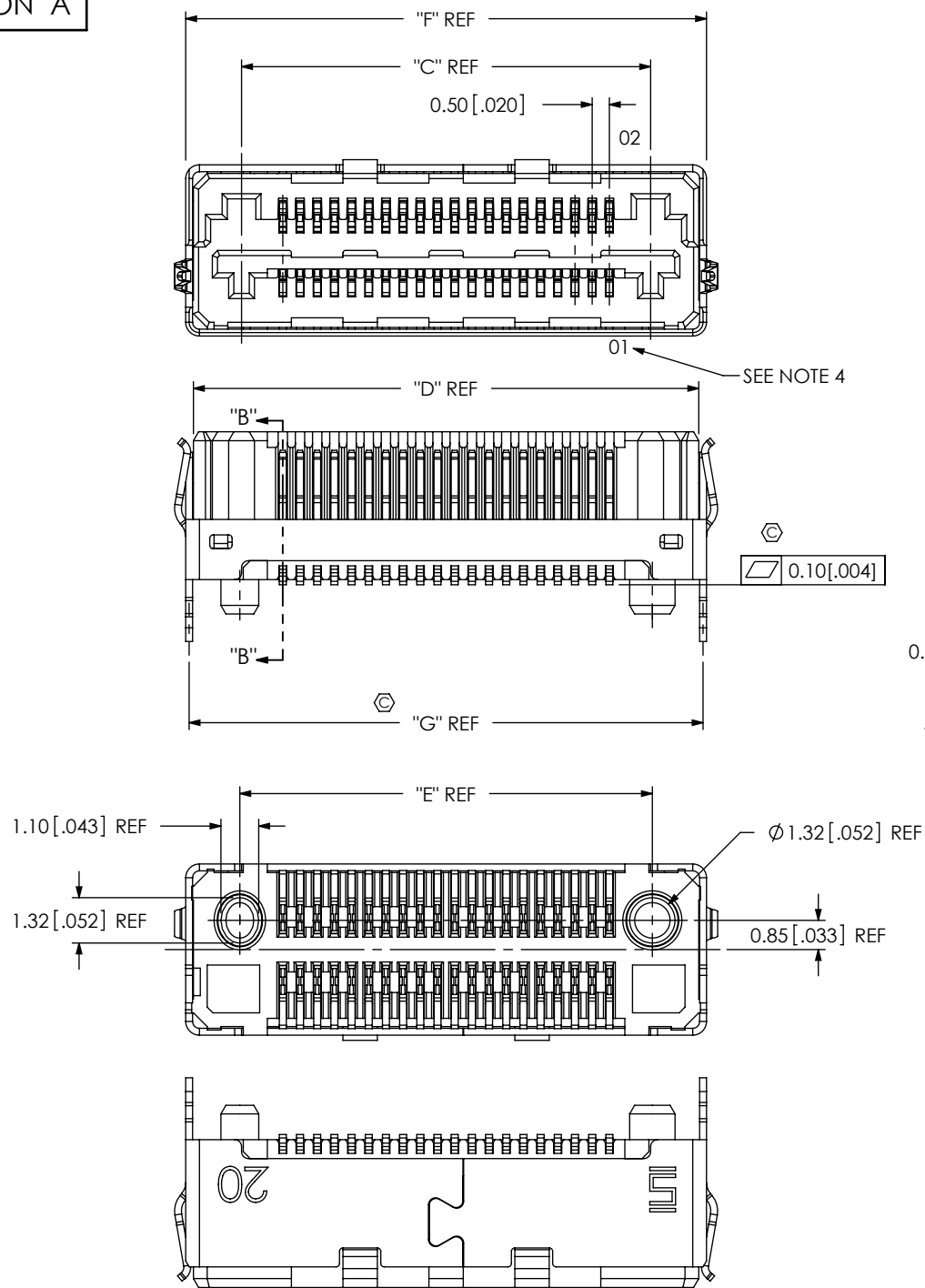
SHIELD:  
\* S: WITH SHIELD  
N: NO SHIELD

TAIL OPTION:  
DV: VERTICAL



- NOTES:
- ⊕ REPRESENTS A CRITICAL DIMENSION.
  - BURR ALLOWANCE: .038 [.0015].
  - MINIMUM PUSHOUT FORCE; TERMINALS: 2.22 N [.5 LBS], CONTACTS: 2.22 N [.5 LBS].
  - PIN 01 WILL MATE WITH CONTACT 02 ON MATING CONNECTOR,
  - MEASURE FROM TOP OF VERTICAL WALL.
  - FOR QUANTITIES UP TO 49 PCS., NO LEADER, TRAILER OR REEL WILL BE SUPPLIED.  
FOR QUANTITIES OF 50-124 PCS., NO LEADER OR TRAILER WILL BE SUPPLIED.

UNLESS OTHERWISE SPECIFIED, DIMENSIONS ARE IN MILLIMETERS [INCHES]. TOLERANCES ARE: DECIMALS ANGLES X.X: ±0.3 [.01] 2° X.XX: ±0.13 [.005] X.XXX: ±0.051 [.0020]	PROPRIETARY NOTE THIS DOCUMENT CONTAINS INFORMATION CONFIDENTIAL AND PROPRIETARY TO SAMTEC, INC. AND SHALL NOT BE REPRODUCED OR TRANSFERRED TO OTHER DOCUMENTS OR DISCLOSED TO OTHERS OR USED FOR ANY PURPOSE OTHER THAN THAT WHICH IT WAS OBTAINED WITHOUT THE EXPRESSED WRITTEN CONSENT OF SAMTEC, INC.		
		520 PARK EAST BLVD, NEW ALBANY, IN 47150 PHONE: 812-944-6733 FAX: 812-948-5047 e-Mail: info@SAMTEC.com code: 55322	
MATERIAL: DO NOT SCALE DRAWING SHEET SCALE: 2:1 INSULATOR: VECTRA E130i CONTACT OR TERMINAL: PHOS BRONZE SHIELD: SUS304		DESCRIPTION: 0.50mm TERMINAL/SOCKET COMBO	
		DWG. NO. LSHM-1XX-XX.X-XX-DV-A-X-X-TR	
BY: AGEN H 10/30/2008		SHEET 1 OF 3	



**FIG. 2**  
(LSHM-1XX-XX.X-DV-A-S-X-TR SHOWN)

c:\enterprisevault\DWG\MISC\MKTG\LSHM-1XX-XX.X-DV-A-S-X-TR-MKT.SLDDRW

<p><b>PROPRIETARY NOTE</b> THIS DOCUMENT CONTAINS INFORMATION CONFIDENTIAL AND PROPRIETARY TO SAMTEC, INC. AND SHALL NOT BE REPRODUCED OR TRANSFERRED TO OTHER DOCUMENTS OR DISCLOSED TO OTHERS OR USED FOR ANY PURPOSE OTHER THAN THAT WHICH IT WAS OBTAINED WITHOUT THE EXPRESSED WRITTEN CONSENT OF SAMTEC, INC.</p> <p>DO NOT SCALE DRAWING SHEET SCALE: 1:0.2</p>		
	<p>520 PARK EAST BLVD, NEW ALBANY, IN 47150 PHONE: 812-944-6733 FAX: 812-948-5047 e-Mail: info@SAMTEC.com code: 55322</p>	
	<p>DESCRIPTION: <b>0.50mm TERMINAL/SOCKET COMBO</b></p>	
	<p>DWG. NO. <b>LSHM-1XX-XX.X-XX-DV-A-X-X-TR</b></p>	
<p>BY: AGEN H</p>	<p>10/30/2008</p>	<p>SHEET 2 OF 3</p>

TABLE 1		
STYLE	"A"	"B"
-02.5	3.95 [0.156]	1.00 [0.039]
-03.0	4.45 [0.175]	1.50 [0.059]
-04.0	5.45 [0.215]	2.50 [0.098]
-06.0	7.45 [0.293]	4.50 [0.177]

TABLE 2							
No OF POSITIONS	"C"	"D"	"E"	"F"	"G"	"H"	
-20	11.90 [0.469]	14.70 [0.579]	12.00 [0.472]	15.15 [0.596]	14.95 [0.589]	7.35 [0.289]	
-30	16.90 [0.665]	19.70 [0.776]	17.00 [0.669]	20.15 [0.793]	19.95 [0.785]	12.35 [0.486]	
-40	21.90 [0.862]	24.70 [0.972]	22.00 [0.866]	25.15 [0.990]	24.95 [0.982]	17.35 [0.683]	
-50	26.90 [1.059]	29.70 [1.169]	27.00 [1.063]	30.15 [1.187]	29.95 [1.179]	22.35 [0.880]	

CRITICAL DIMENSION INSPECTION INSTRUCTION TABLE		
ASSEMBLY OPERATION	START-UP INSPECTION INSPECT CODE A	IN-PROCESS INSPECTION INSPECT CODE B
FILL C-261-01 or C-185-XX		C1, C2, C3, C4
ASSEMBLY SH26-XX-XX-XX		C5, C6, C7
ASSEMBLY KAPTON		

TABLE 3					
LEAD STYLE	PLATING	SHIELD	BODY	CONTACT	SHIELD
-02.5	-L	N	LSHM-XX-02.5-DV-A	C-261-01-L	N/A
	-F			C-261-01-F	
-03.0	-L	N	LSHM-XX-03.0-DV-A	C-185-01-LM	N/A
	-F			C-185-01-FM	
-04.0	-L	N	LSHM-XX-04.0-DV-A	C-185-03-LM	N/A
	-F			C-185-03-FM	
-06.0	-L	N	LSHM-XX-06.0-DV-A	C-185-02-LM	N/A
	-F			C-185-02-FM	
-02.5	-L	S	LSHM-XX-02.5-DV-A	C-261-01-L	SH26-XX-02.5-DV-N
	-F			C-261-01-F	
-03.0	-L	S	LSHM-XX-03.0-DV-A	C-185-01-LM	SH26-XX-03.0-DV-N
	-F			C-185-01-FM	
-04.0	-L	S	LSHM-XX-04.0-DV-A	C-185-03-LM	SH26-XX-04.0-DV-N
	-F			C-185-03-FM	
-06.0	-L	S	LSHM-XX-06.0-DV-A	C-185-02-LM	SH26-XX-06.0-DV-N
	-F			C-185-02-FM	

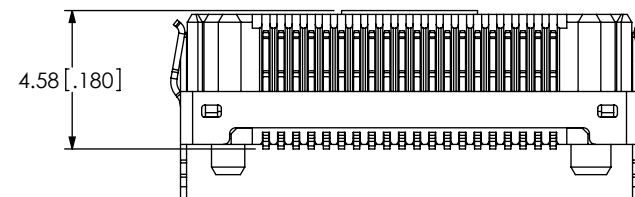
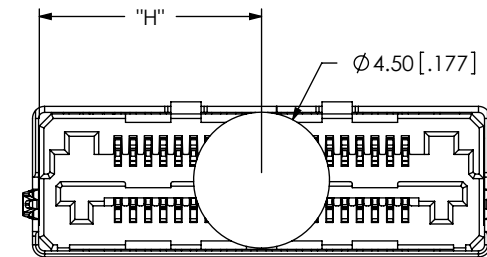


FIG. 3  
(LSHM-1XX-XX.X-DV-A-S-K-TR SHOWN)

**PROPRIETARY NOTE**  
THIS DOCUMENT CONTAINS INFORMATION CONFIDENTIAL AND PROPRIETARY TO SAMTEC, INC. AND SHALL NOT BE REPRODUCED OR TRANSFERRED TO OTHER DOCUMENTS OR DISCLOSED TO OTHERS OR USED FOR ANY PURPOSE OTHER THAN THAT WHICH IT WAS OBTAINED WITHOUT THE EXPRESSED WRITTEN CONSENT OF SAMTEC, INC.

DO NOT SCALE DRAWING  
SHEET SCALE: 5:1



520 PARK EAST BLVD, NEW ALBANY, IN 47150  
PHONE: 812-944-6733 FAX: 812-948-5047  
e-Mail: info@SAMTEC.com code: 55322

DESCRIPTION:  
0.50mm TERMINAL/SOCKET COMBO

DWG. NO.  
LSHM-1XX-XX.X-XX-DV-A-X-X-TR

BY: AGEN H 10/30/2008 SHEET 3 OF 3