

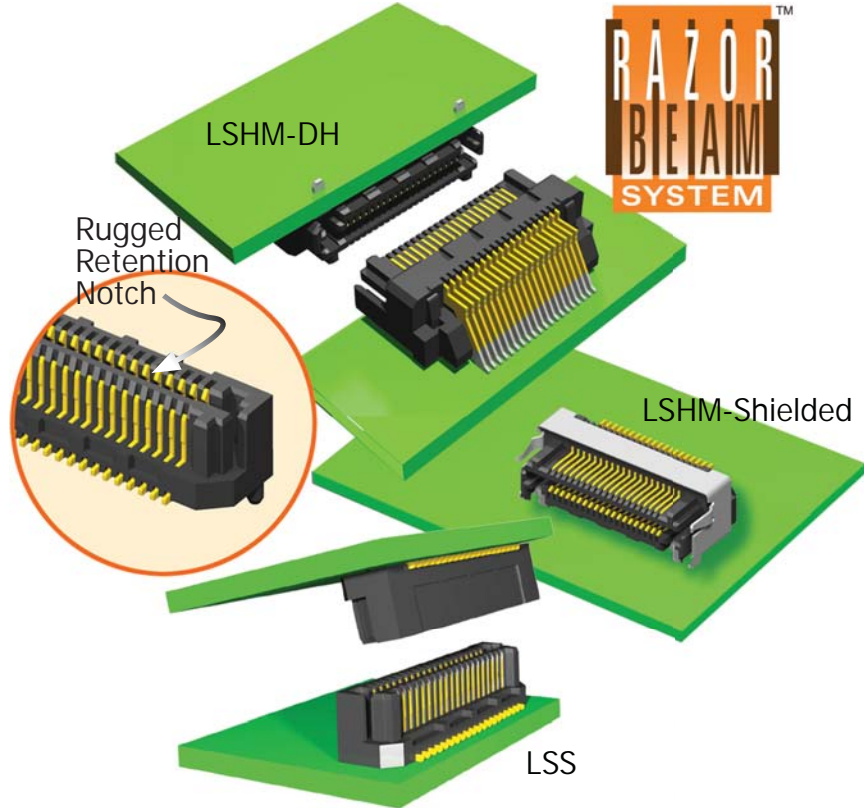
RAZOR BEAM™

Ultra-fine pitch, slim, and low profile design saves PCB real estate.

Razor Beam™ Interconnects save PCB real estate on the X, Y, and Z axis with their ultra-fine pitch, slim, low profile design. Razor Beam™ connectors are currently available in .635mm (LSS Series) pitch and a .5mm pitch version (LSHM Series) with a .8mm pitch version (LSEM Series) due Q4 of 2009.

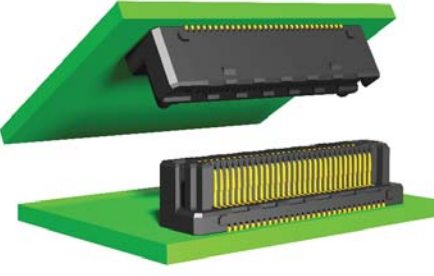
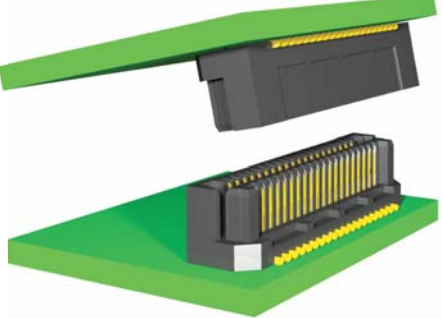
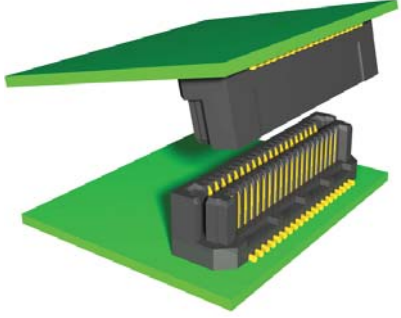
Razor Beam™ contacts are designed to help to create high speed, fine pitch, yet rugged interconnects. Mating contacts feature undercut retention notches that produce an audible click when the contacts engage; this also increases the withdrawal force of the connectors. For example, the unmating force of the LSS Series is rated at 25 lbs.

Razor Beam™ connectors are well suited for high speed applications with performance up to 10 GHz at -3dB insertion loss. For applications where EMI is an issue the LSHM Series will be available with optional shielding (Q4 of 2009).



Razor Beam™ interconnects are available in a variety of stack heights from 5mm - 12mm, and the LSEM Series will be available in both

dual vertical and dual horizontal orientations for parallel, perpendicular, and coplanar applications.

<i>.5mm Hermaphroditic Connector</i>	<i>.635mm Hermaphroditic Connector</i>	<i>.8mm Hermaphroditic Connector (In Design)</i>
LSHM Series	LSS Series	LSEM Series
		
<i>Pitch:</i> .5mm <i>Stack Heights (mm):</i> 6, 7, 8, 9, 10, 12 <i>Performance:</i> TBD <i>Orientation:</i> DV & DH <i>Options:</i> Shielding (Q4 2009)	<i>Pitch:</i> .635mm <i>Stack Heights (mm):</i> 6, 7, 8, 9, 10, 12 <i>Performance:</i> DP 10.0 GHz DP 9.0 GHz	<i>Pitch:</i> .8mm <i>Stack Height (mm):</i> 6, 7, 8, 9, 10, 12 <i>Performance:</i> TBD <i>Orientation:</i> DV & DH

For additional information, feel free to contact our Signal Integrity Group at SIG@samtec.com. Check out our [RazorBeam™ Video](#) in our Media Room.

