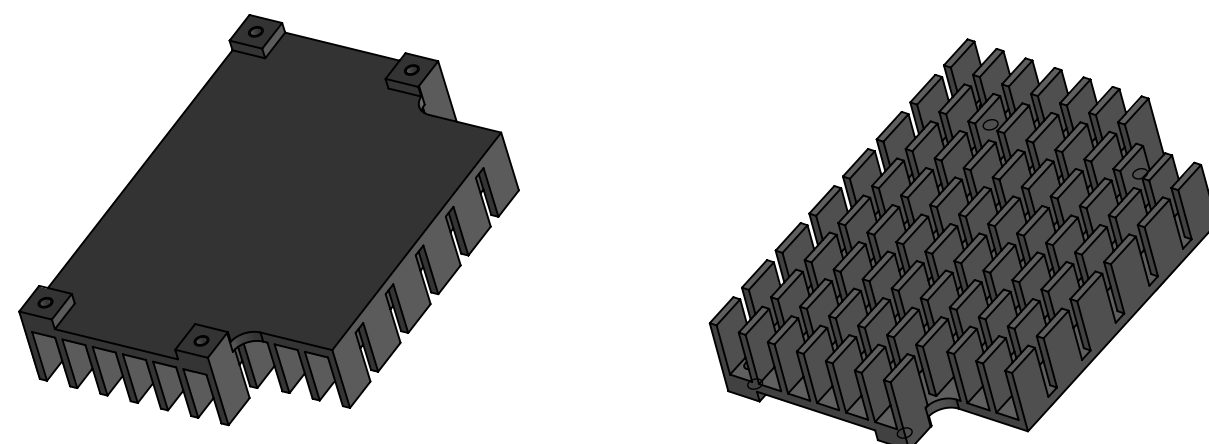
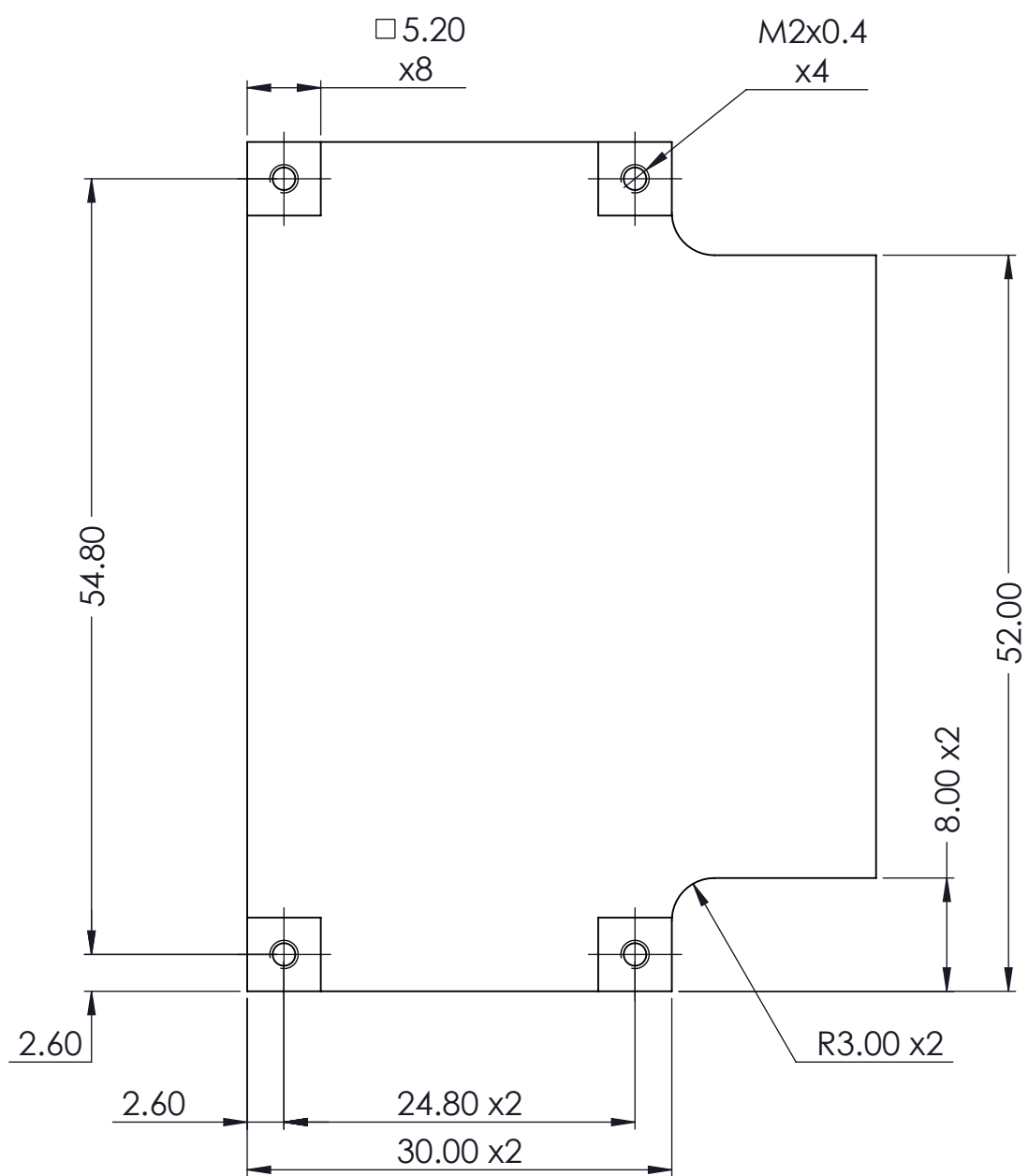
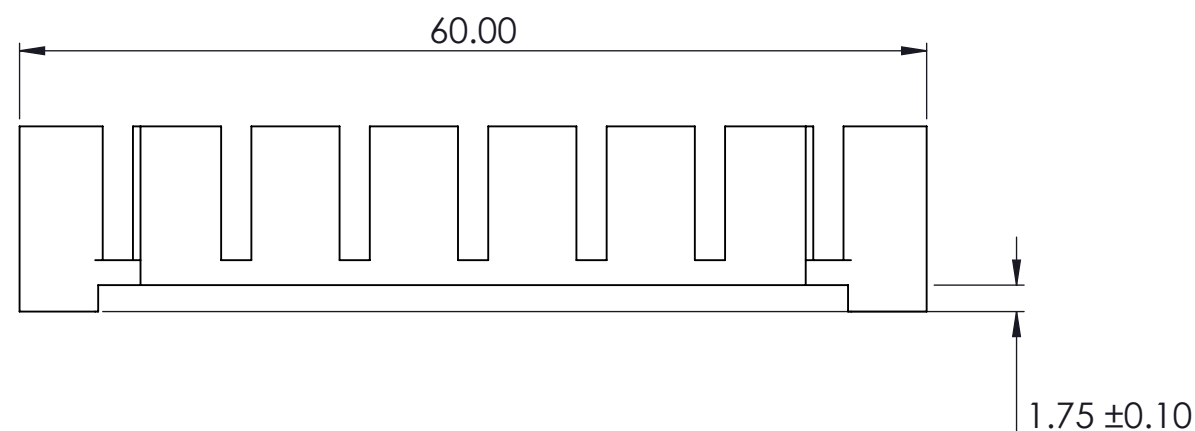
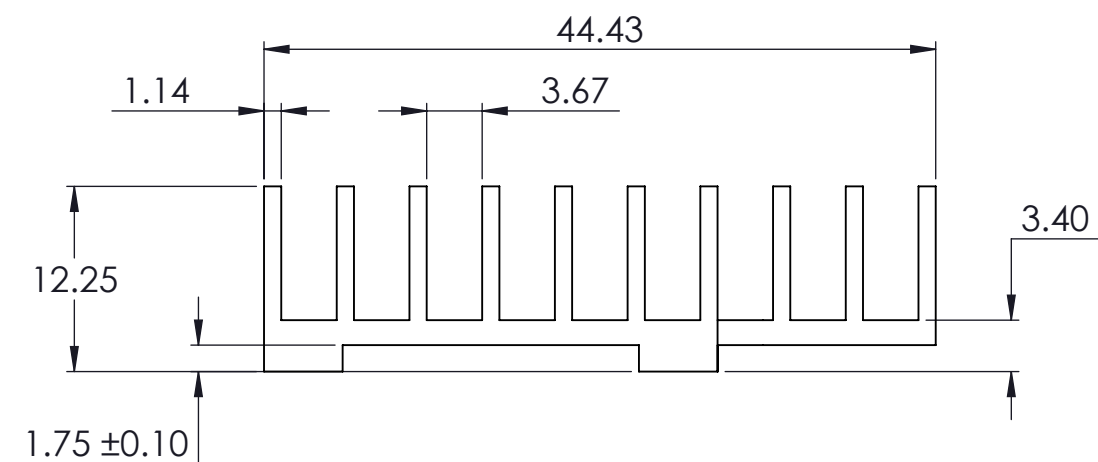


ITEM NO.	PART NUMBER	DESCRIPTION	QTY.
1	128433-1	HEATSINK 44.43mm X 60mm X 12.25mm	1

REVISIONS				
ZONE	REV.	DESCRIPTION	DATE	APPROVED
	1	FIRST ISSUE	7-JAN-21	



- NOTES:
- 1) MATERIAL : SEE NOTES.
 - 2) FINISH: SEE NOTES.
 - 3) TOLERANCES: SEE TABLE.
 - 4) ALL SHARP EDGES AND BURRS TO BE REMOVED.
 - 5) PARTS TO BE CLEAN AND FREE FROM OIL AND GREASE MARKS.
 - 6) FOR FURTHER DETAILS, PLEASE SEE CAD MODEL 128433_rev1.STP

PROPRIETARY AND CONFIDENTIAL		THIRD ANGLE PROJECTION		TOLERANCES	
THE INFORMATION CONTAINED IN THIS DRAWINGS IS THE SOLE PROPERTY OF WAKEFIELD-VETTE. ANY REPRODUCTION IN PART OR AS A WHOLE WITHOUT THE WRITTEN PERMISSION OF WAKEFIELD-VETTE IS PROHIBITED.				ALL DIMS IN MM(IN)	
				X.X ± 0.5 (0.02")	
MATERIAL: 6063-T5		APPROVALS		DATE:	
		DRAWN: AR		7-JAN-21	
FINISH: Black Anodise		CHK:		DRAWING NOT TO SCALE	
		DSGN ENG:		7-JAN-21	
		MFG ENG:		REVISION: 1	
		QA:		SCALE: 2:1	
		MODEL INFO: 128433-1		 33 BRIDGE ST. PELHAM, NH 03076 (603)635-2800 TITLE: HEATSINK DESCRIPTION: HEATSINK 44.43mm X 60mm X 12.25mm DWG. NO. 128433 1 OF 1	