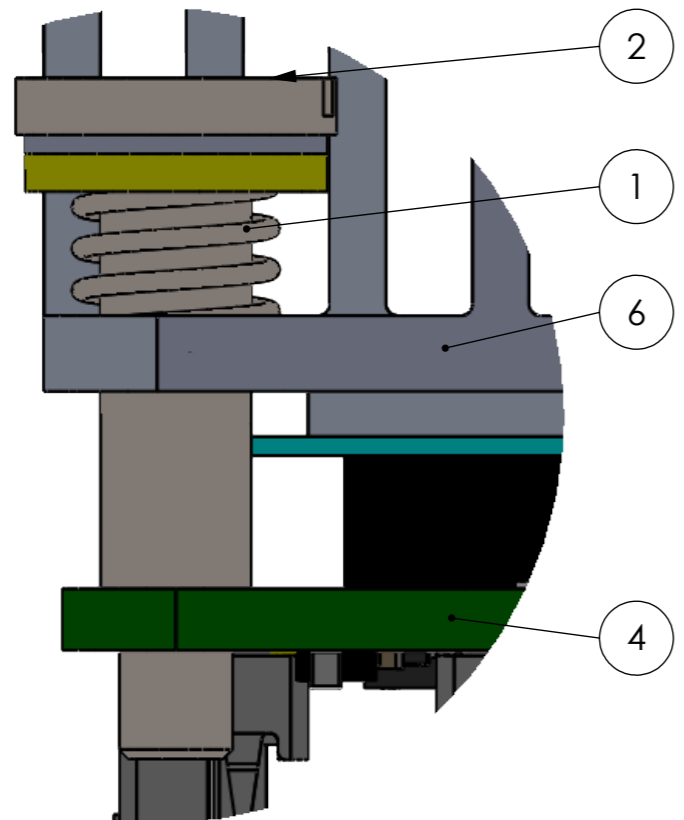


A (5 : 1)



ITEM NO.	PART NUMBER	DESCRIPTION	QTY.
1	26885	Druckfeder 50/4/1	4
2	26915	Schraube DIN 923 - 5.8 - M 3x12	4
3	26916	Unterlegscheibe 0,5 mm schwarz/silber	2
4	TE0841-03-No Variations	TE0841-03	1
5	29152	Gap-Pad 30 x30 x0,5 mm	1
6	34294	Kühlkörper für TE0841-03	1
7	26919	Unterlegscheibe 1 mm gelb/grün	2



UNLESS OTHERWISE SPECIFIED: DIMENSIONS ARE IN MILLIMETERS SURFACE FINISH: TOLERANCES: LINEAR: ANGULAR:		FINISH:	DEBURR AND BREAK SHARP EDGES	DO NOT SCALE DRAWING	REVISION 00
DRAWN Darm 06.07.2024		SIGNATURE	DATE	Beendorfer Str. 23, 32609 Hüllhorst, GERMANY www.trenz-electronic.de	
CHK'D Brose 26.08.2024				TITLE: Kühlkörper für Trenz Electronic Module TE0841-03, federnd gelagert	
APP'VD -				DWG NO. 34323	
MFG				A3	
Q.A -		MATERIAL:		SCALE:1:1	
		WEIGHT:		SHEET 1 OF 1	