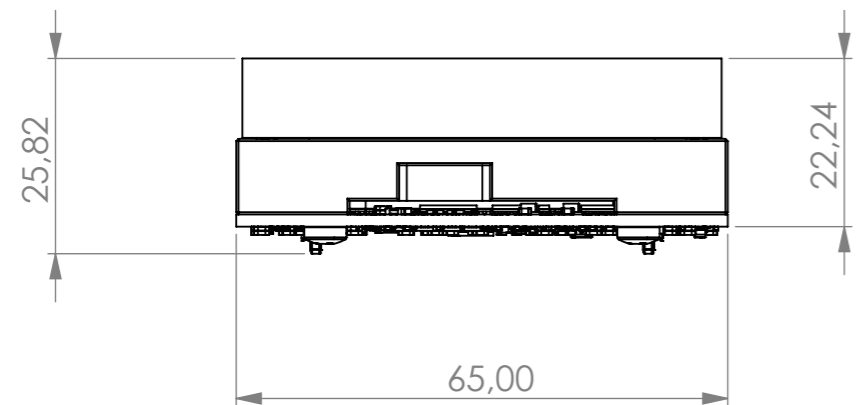
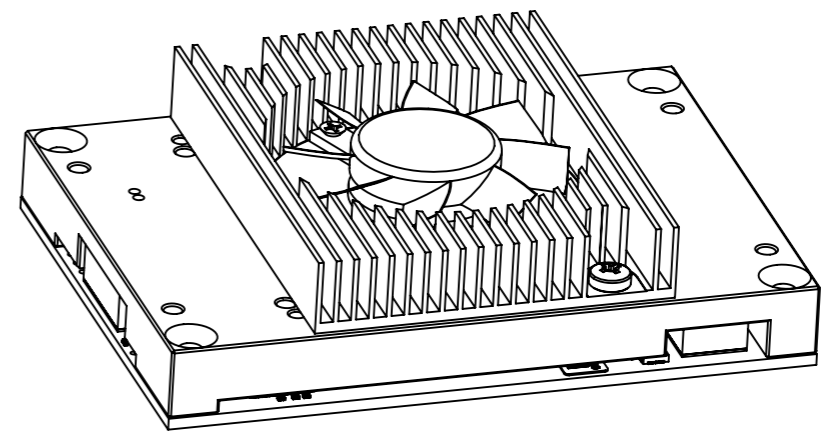
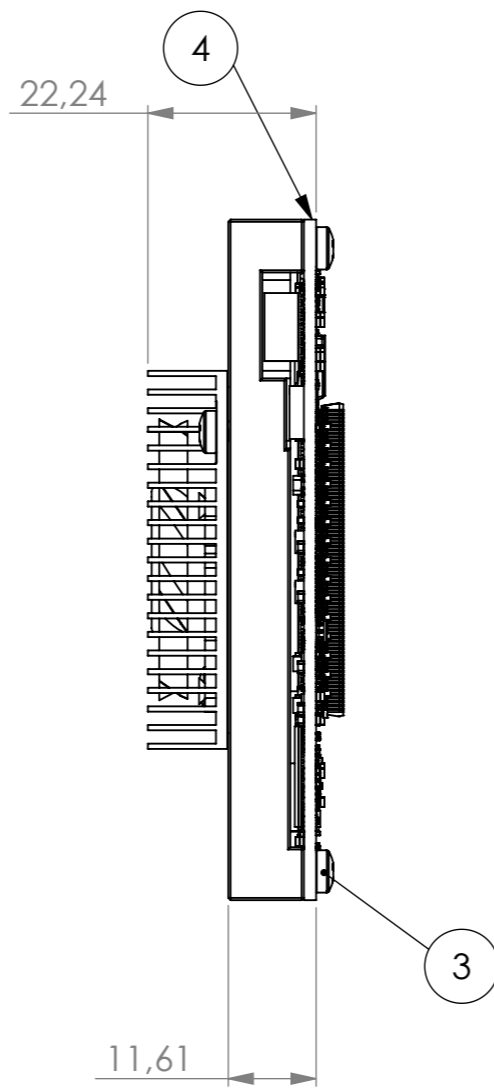
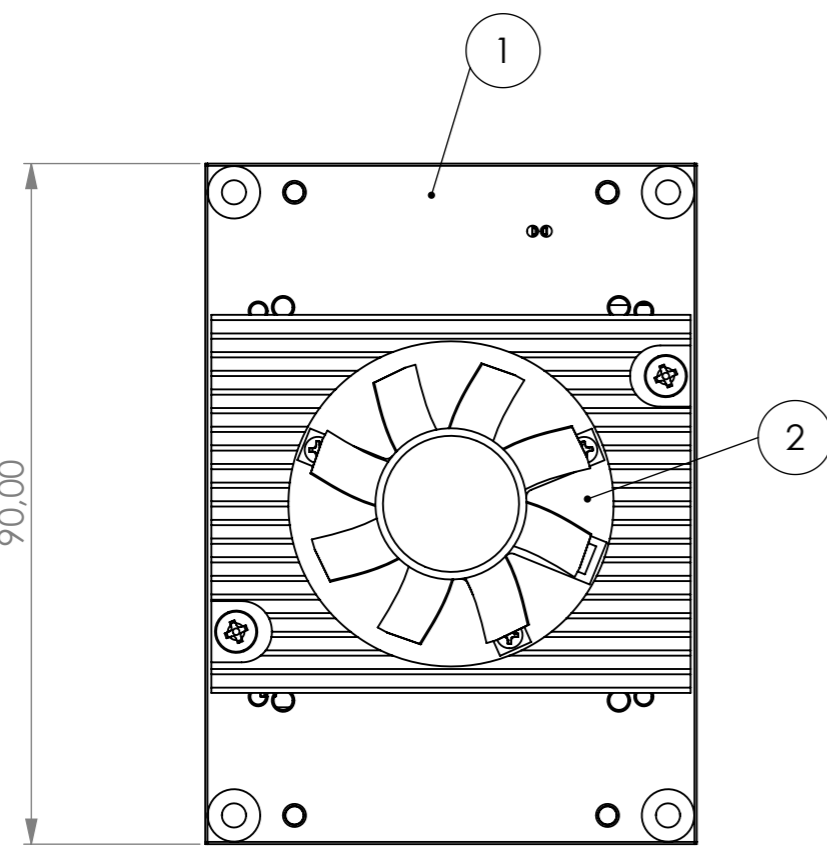


8 7 6 5 4 3 2 1

F  
E  
D  
C  
B  
A



1. Use thermal gap-filler between KK0835 and TE0835-02.

ITEM NO.	PART NUMBER	DESCRIPTION	QTY.
1	KK0835-01	Kühlkörper f. TE0835-01	1
2	30740	SZ12L	1
3	20990	Metric screw DIN7985A	6
4	TE0835-02		1



UNLESS OTHERWISE SPECIFIED: DIMENSIONS ARE IN MILLIMETERS SURFACE FINISH: TOLERANCES: LINEAR: ANGULAR:		FINISH:	DEBURR AND BREAK SHARP EDGES
NAME	SIGNATURE	DATE	
DRAWN Grishchenko		06.05.21	
CHK'D			
APPV'D			
MFG			
Q.A			MATERIAL:
			WEIGHT:

DO NOT SCALE DRAWING	REVISION
Beendorfer Str. 23, 32609 Hüllhorst, GERMANY www.trenz-electronic.de	
TITLE: <b>TE0835 Cooling solution.</b>	
DWG NO. KK0835-01_TE0835_30740	A3
SCALE:1:1	SHEET 1 OF 1

8 7 6 5 4 3 2 1