

1

2

3

4

A

A

B

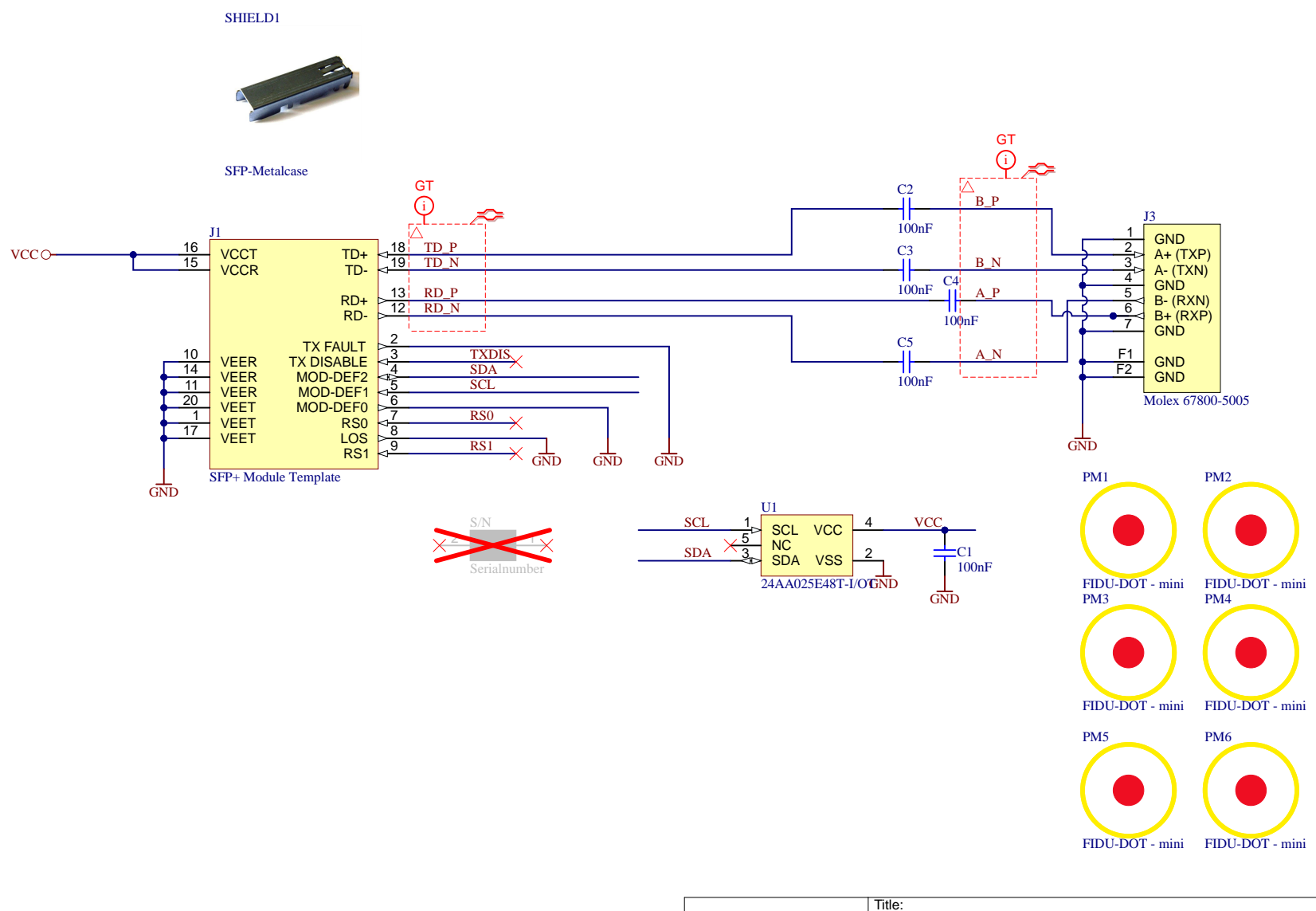
B

C

C

D

D



- TP1
- TP2
- TP3
- TP4
- TP5
- TP6
- TP7
- TP8
- TP9
- TP10
- TP11
- TP12



Title: TE0424		
A4	Number: TE0424 default	Rev. 01
Date: *	Copyright: 2013 Trenz Electronic GmbH	Page1 of 1
Filename: TE0424.SchDoc		

1

2

3

4