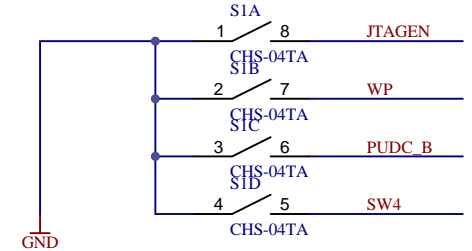
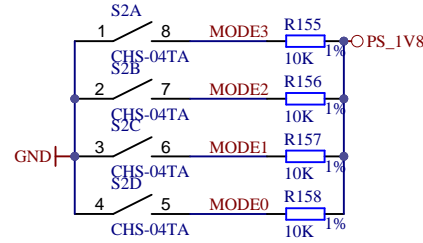
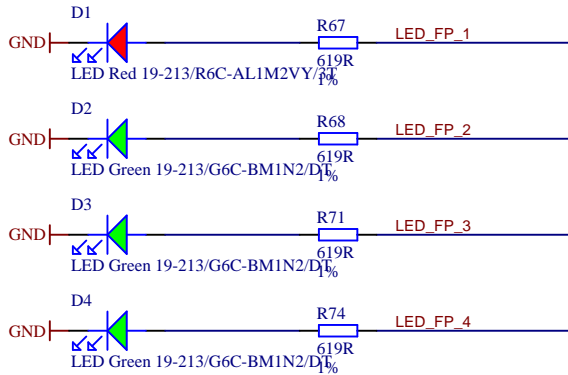


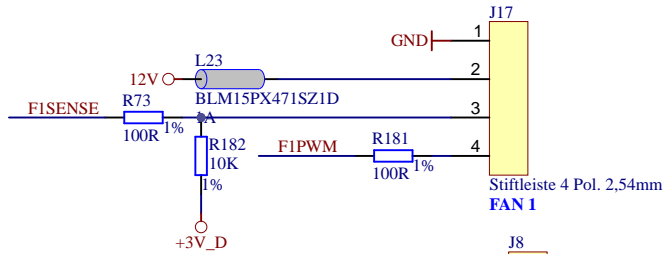
A

- U_J1
J1.SchDoc
- U_J2
J2.SchDoc
- U_J3
J3.SchDoc
- U_J4
J4.SchDoc
- U_J5
J5.SchDoc
- U_J6
J6.SchDoc

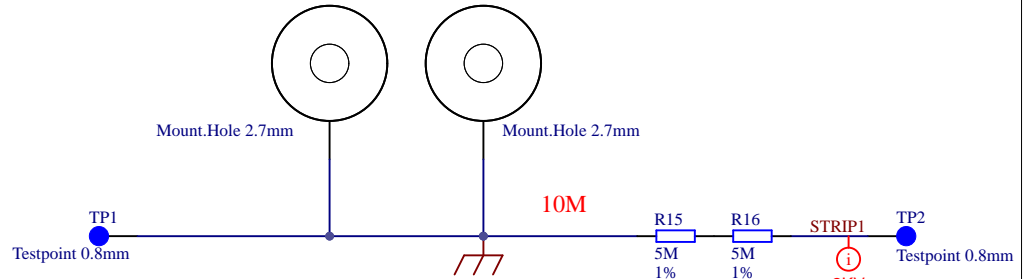


B

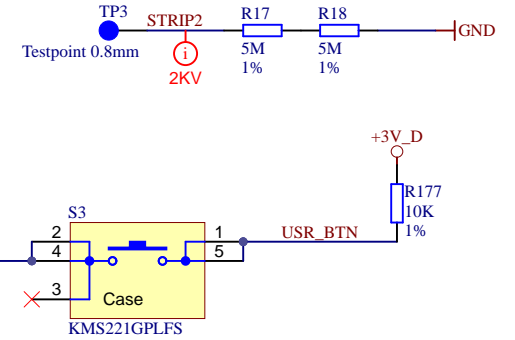
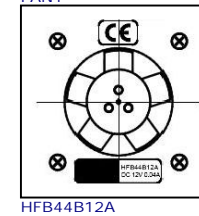
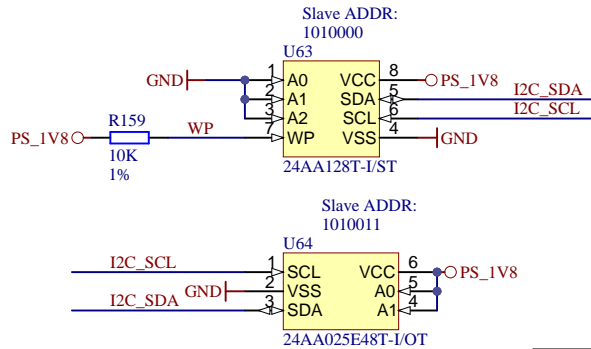
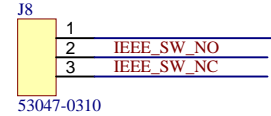
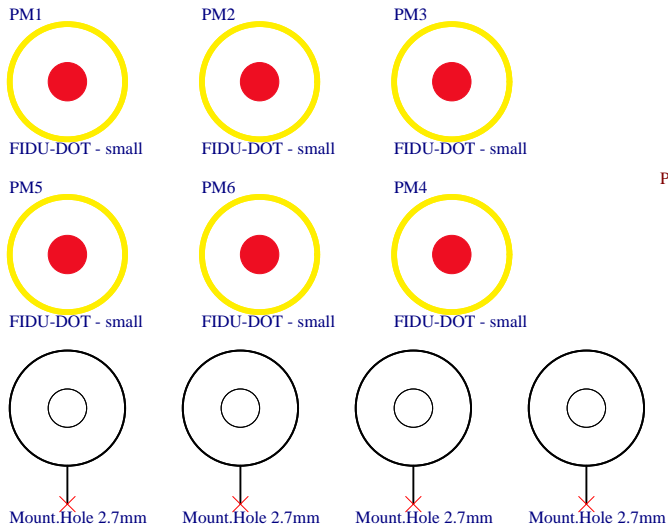
Serial
Serialnummer 6,3 x 6,3mm



PE = STRIP, no connection to GND on the board only when inserted into RACK



C



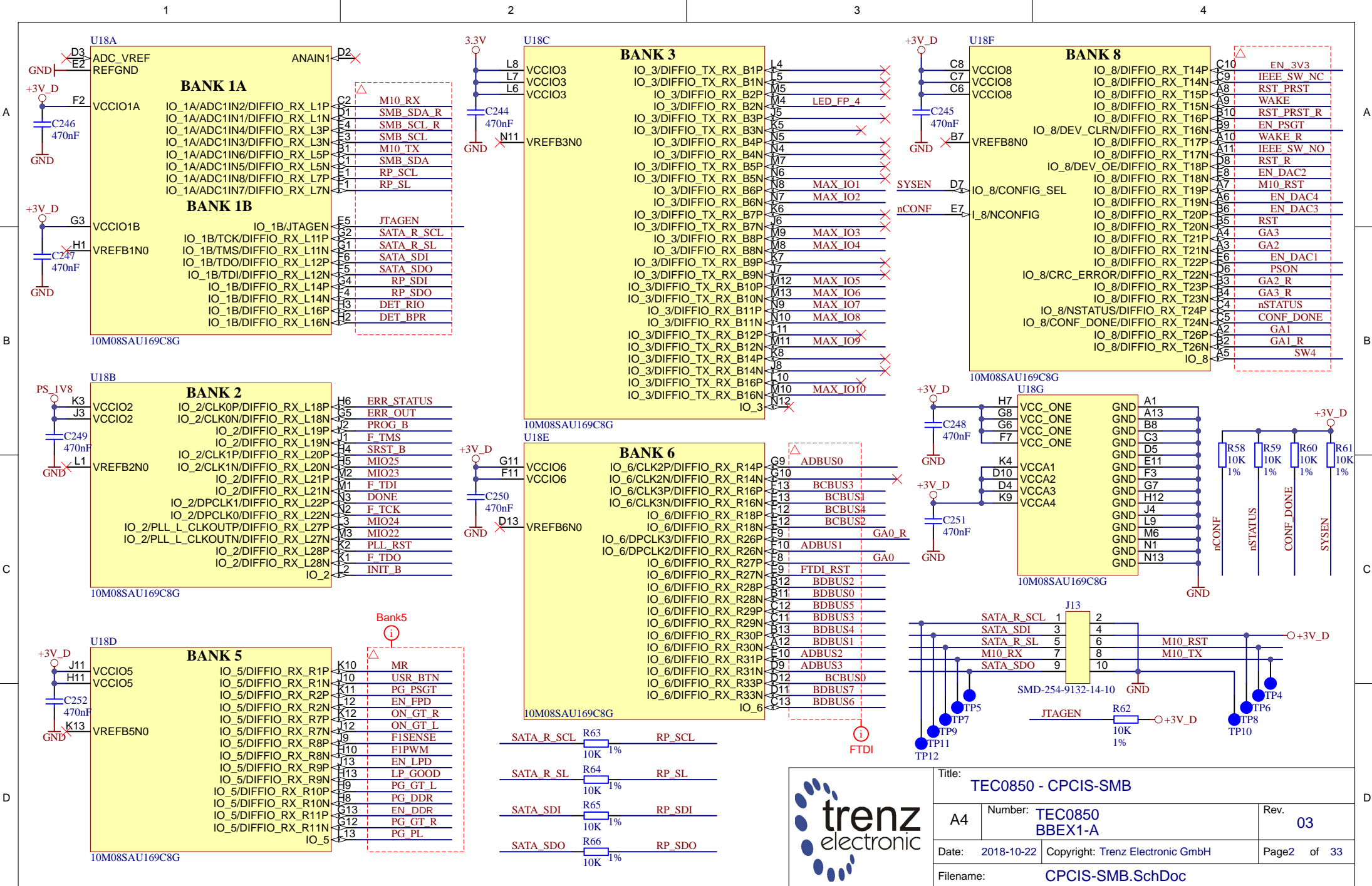
LOGO1
TE Logo PRINT Layer
LOGO PRINT

D

Assembly variant	BBEX1-A
Created by	VY
Modified by	VT
Modified at	2021-11-23
SVN Revision	8527 [Locally Modified]



Title: TEC0850 - CPCIS-MAIN		
A4	Number: TEC0850 BBEX1-A	Rev. 03
Date: 2018-10-22	Copyright: Trenz Electronic GmbH	Page1 of 33
Filename: CPCIS-MAIN.SchDoc		



Title: TEC0850 - CPCIS-SMB		
A4	Number: TEC0850 BBEX1-A	Rev. 03
Date: 2018-10-22	Copyright: Trenz Electronic GmbH	Page 2 of 33
Filename: CPCIS-SMB.SchDoc		

1

2

3

4

A

A

B

B

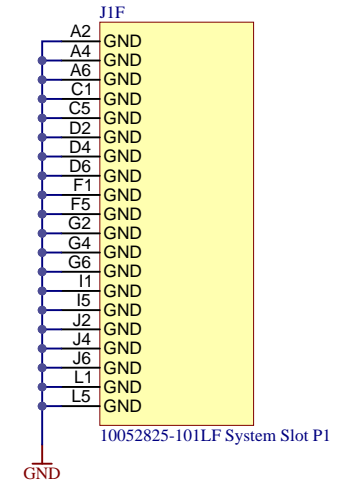
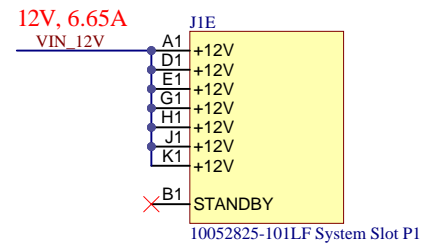
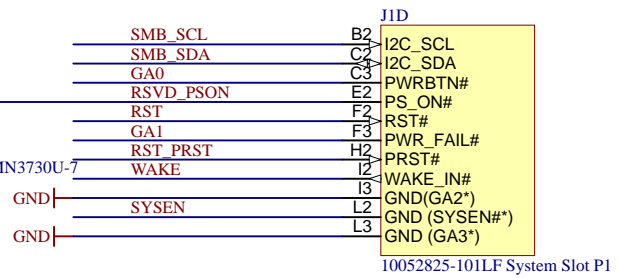
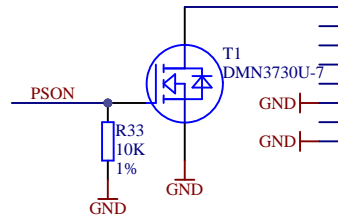
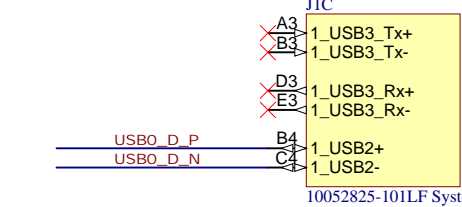
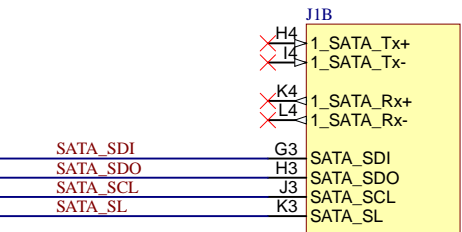
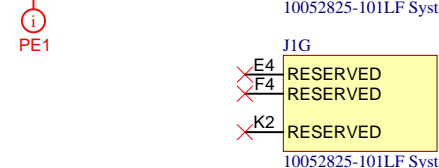
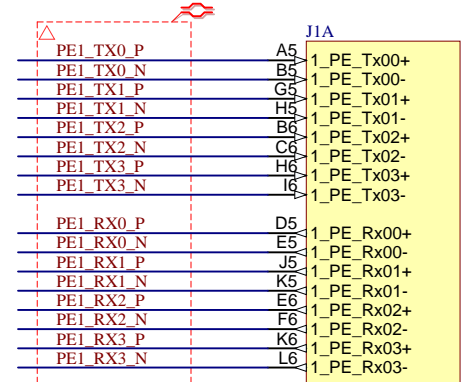
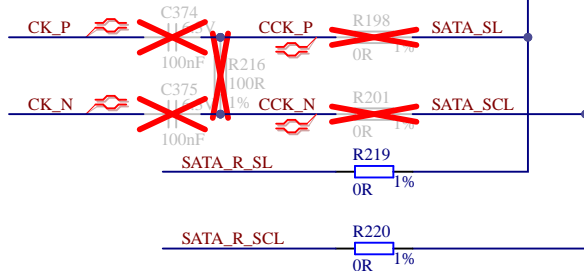
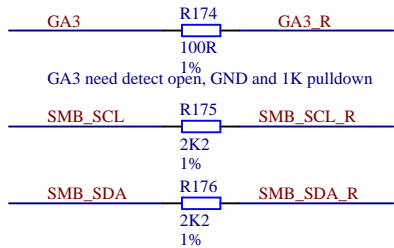
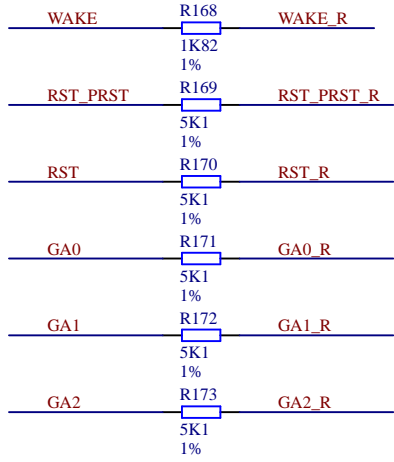
C

C

D

D

1.8, 2.2 and 5.1K are REQUIRED BY CPCI-S do not optimize to other values



Title: TEC0850 - J1		
A4	Number: TEC0850 BBEX1-A	Rev. 03
Date: 2018-10-22	Copyright: Trenz Electronic GmbH	Page3 of 33
Filename: J1.SchDoc		

1

2

3

4

1

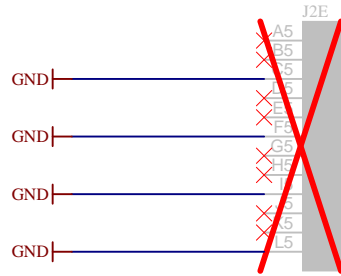
2

3

4

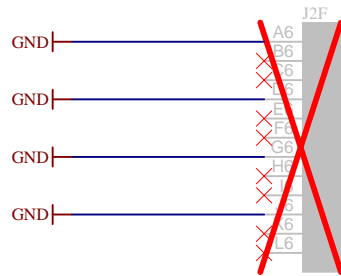
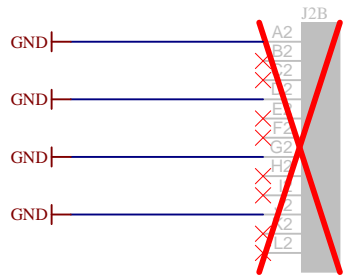
A

A



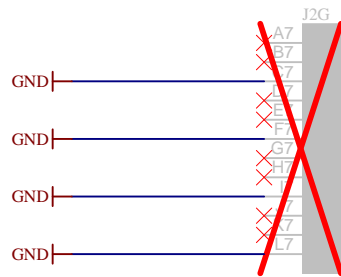
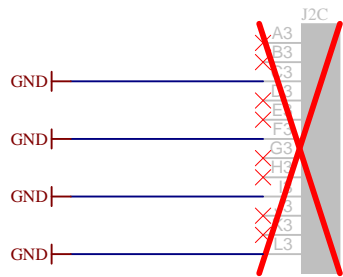
B

B



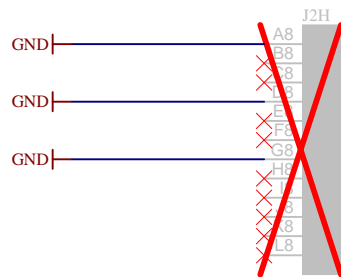
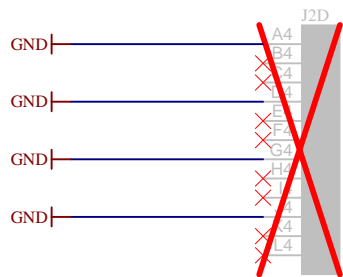
C

C



D

D



Title: TEC0850 - J2		
A4	Number: TEC0850 BBEX1-A	Rev. 03
Date: 2018-10-22	Copyright: Trenz Electronic GmbH	Page 4 of 33
Filename: J2.SchDoc		

1

2

3

4

1

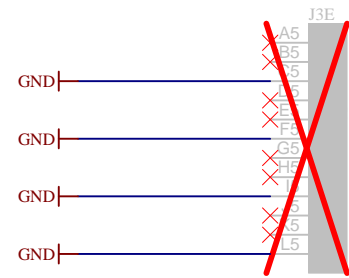
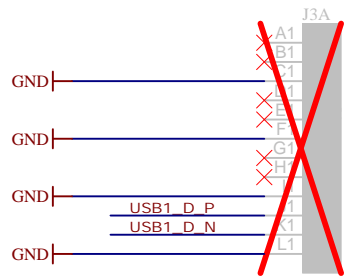
2

3

4

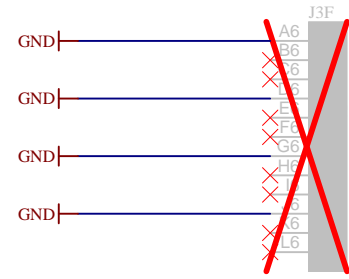
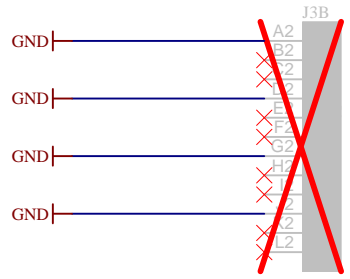
A

A



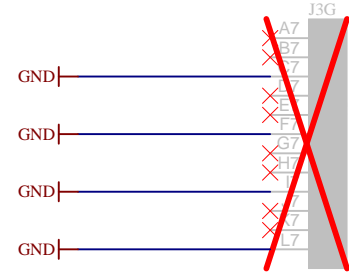
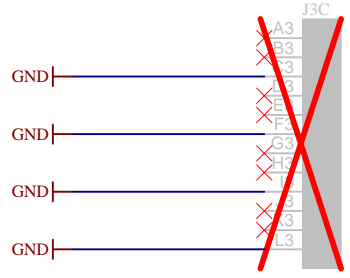
B

B



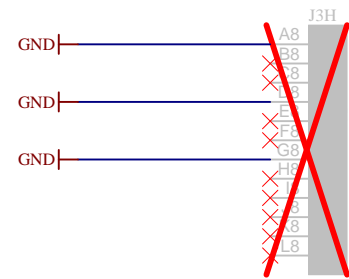
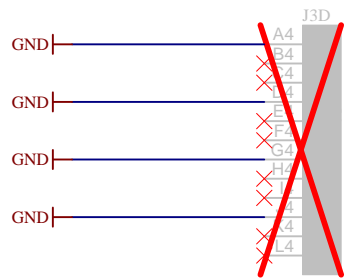
C


C



D

D



	Title: TEC0850 - J3		
	A4	Number: TEC0850 BBEX1-A	Rev. 03
	Date: 2018-10-22	Copyright: Trenz Electronic GmbH	Page 5 of 33
	Filename: J3.SchDoc		

1

2

3

4

1

2

3

4

A

A

B

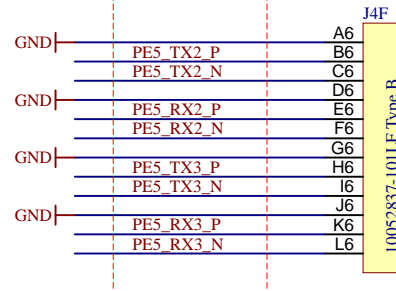
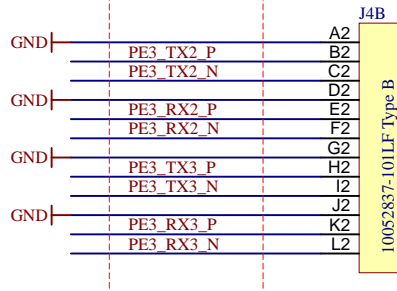
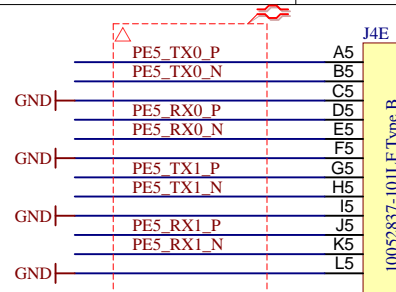
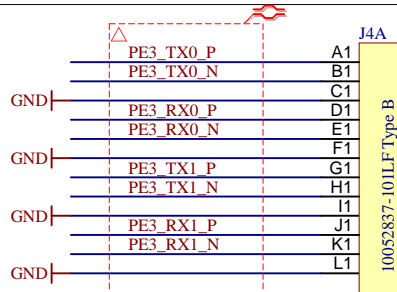
B

C

C

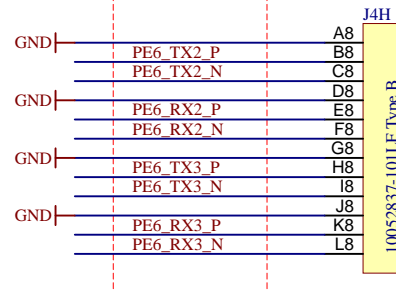
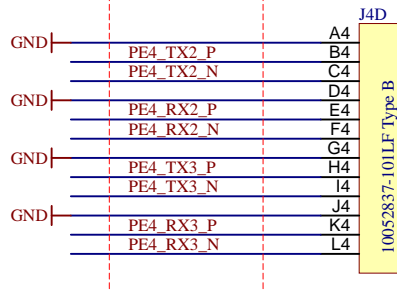
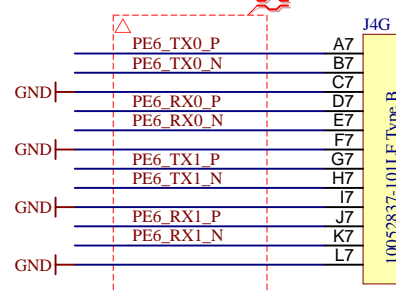
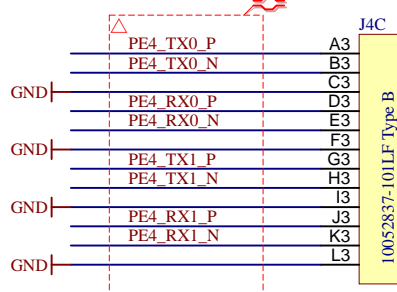
D

D



PE3

PE5



PE4

PE6



Title: TEC0850 - J4		
A4	Number: TEC0850 BBEX1-A	Rev. 03
Date: 2018-10-22	Copyright: Trenz Electronic GmbH	Page 6 of 33
Filename: J4.SchDoc		

1

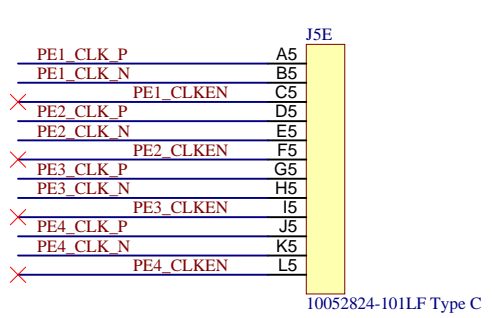
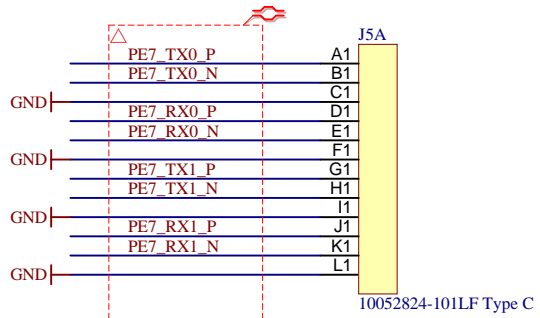
2

3

4

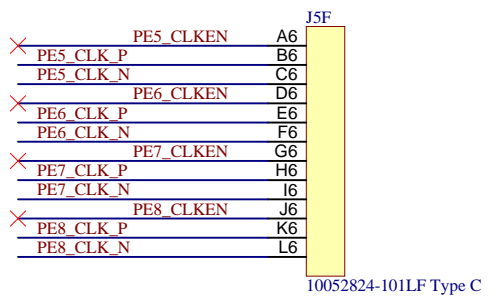
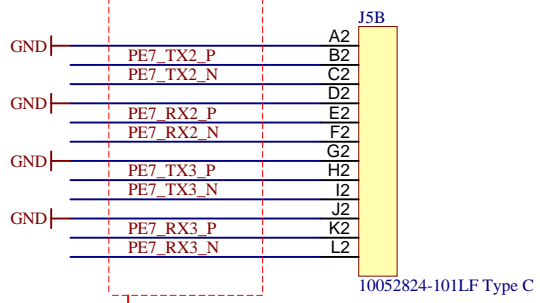
A

A



B

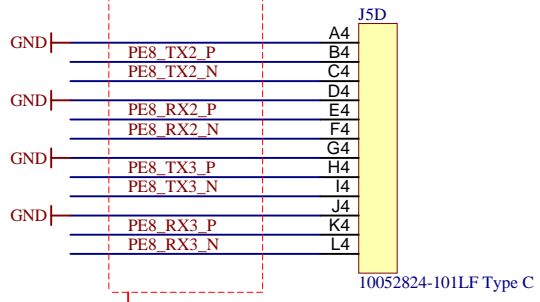
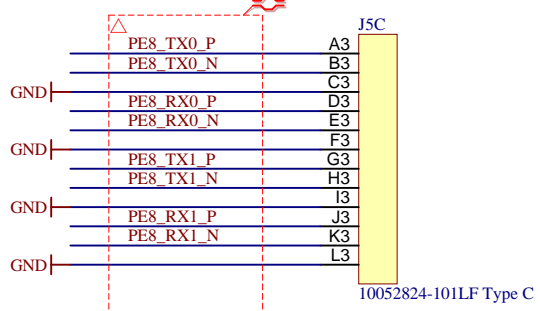
B



PE7

C

C



PE8

D

D



Title: TEC0850 - J5		
A4	Number: TEC0850 BBEX1-A	Rev. 03
Date: 2018-10-22	Copyright: Trenz Electronic GmbH	Page 7 of 33
Filename: J5.SchDoc		

1

2

3

4

A

A

B

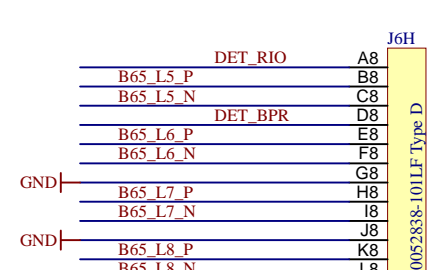
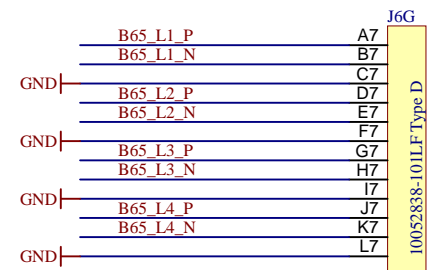
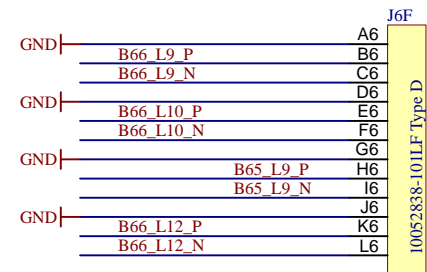
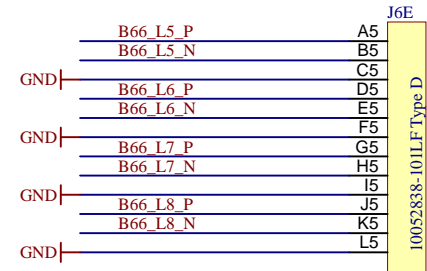
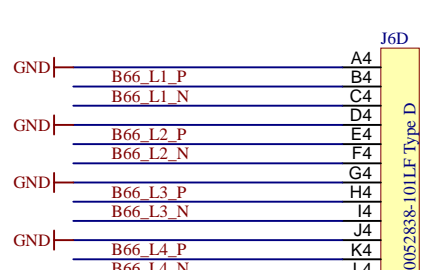
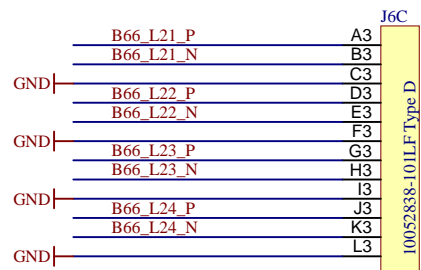
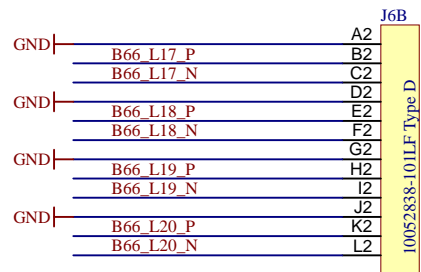
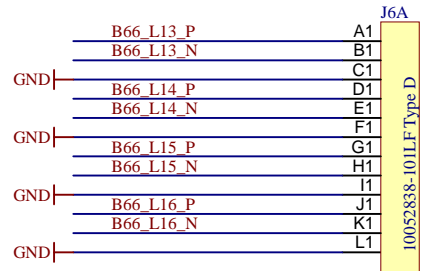
B

C

C

D

D



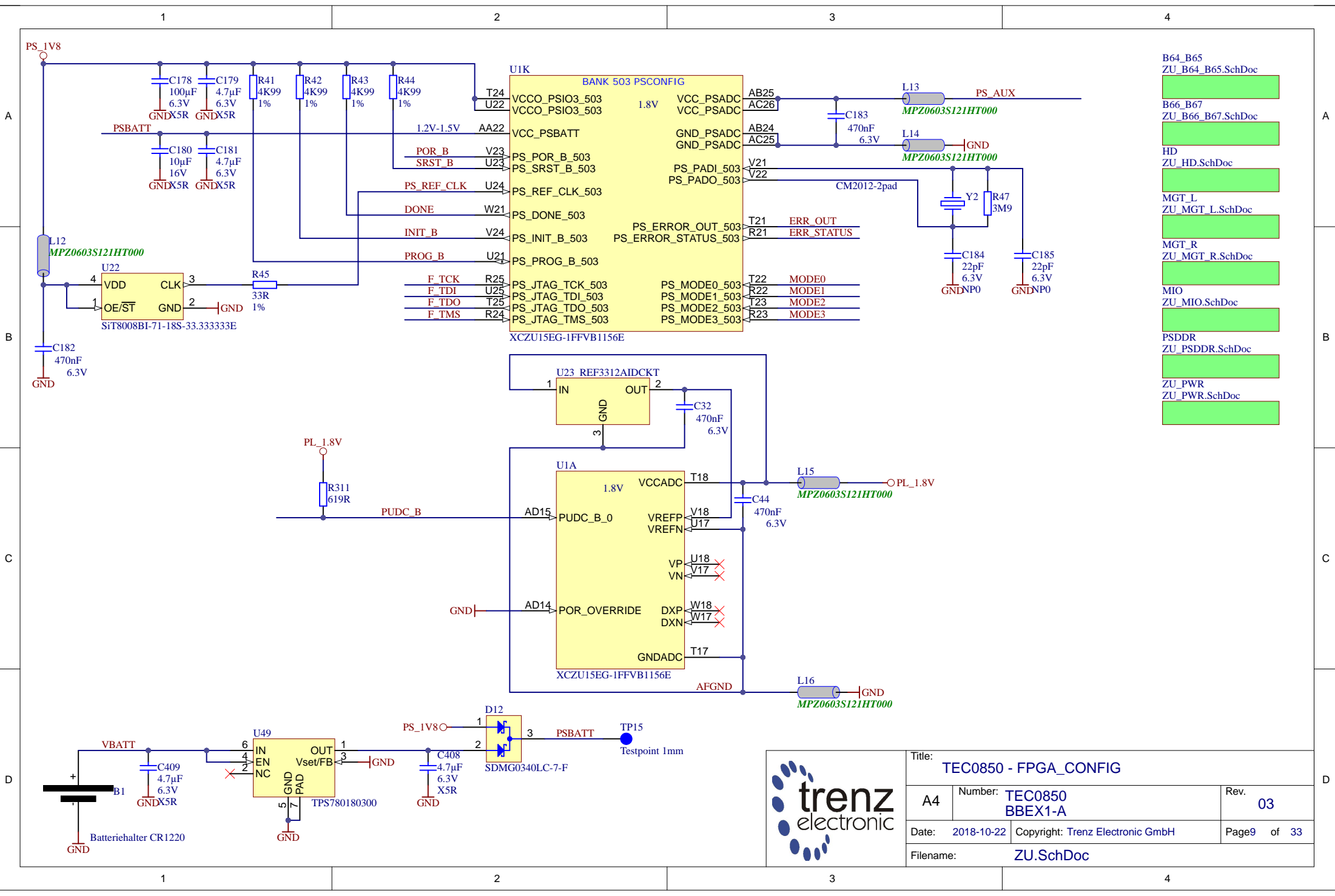
Title: TEC0850 - J6		
A4	Number: TEC0850 BBEX1-A	Rev. 03
Date: 2018-10-22	Copyright: Trenz Electronic GmbH	Page 8 of 33
Filename: J6.SchDoc		

1

2

3

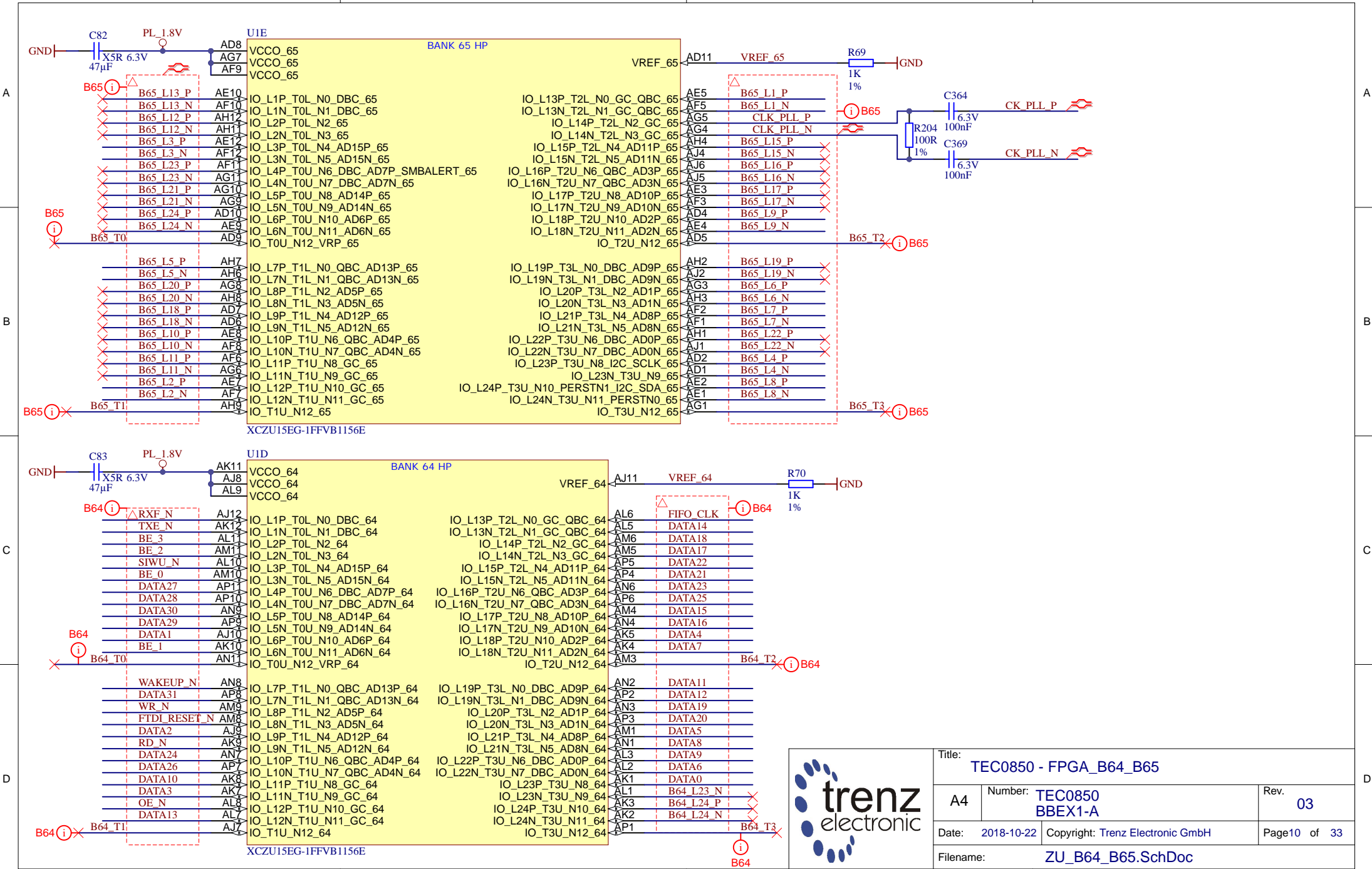
4



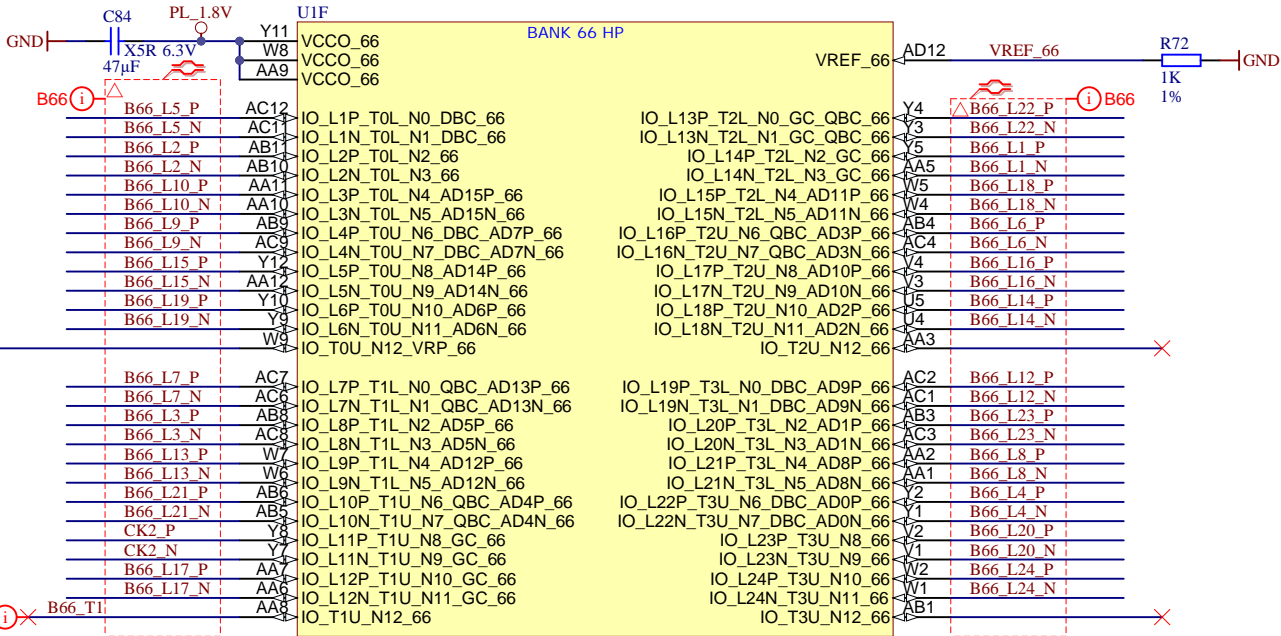
- B64_B65
ZU_B64_B65.SchDoc
- B66_B67
ZU_B66_B67.SchDoc
- HD
ZU_HD.SchDoc
- MGT_L
ZU_MGT_L.SchDoc
- MGT_R
ZU_MGT_R.SchDoc
- MIO
ZU_MIO.SchDoc
- PSDDR
ZU_PSDDR.SchDoc
- ZU_PWR
ZU_PWR.SchDoc



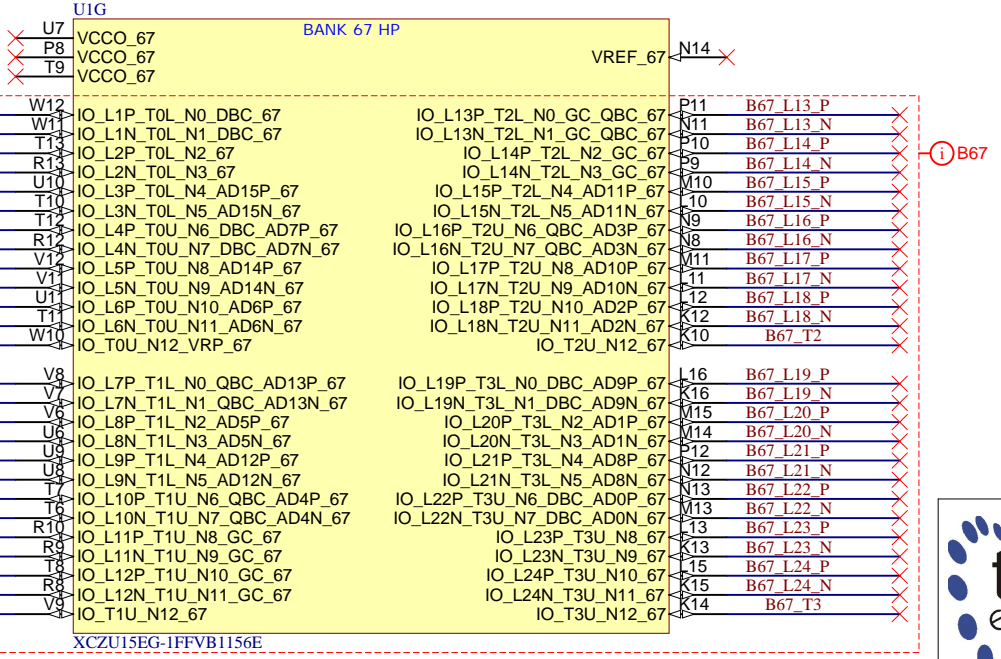
Title: TEC0850 - FPGA_CONFIG		
A4	Number: TEC0850 BBEX1-A	Rev. 03
Date: 2018-10-22	Copyright: Trenz Electronic GmbH	Page 9 of 33
Filename: ZU.SchDoc		



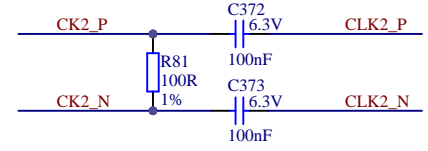
Title: TEC0850 - FPGA_B64_B65		
A4	Number: TEC0850 BBEX1-A	Rev. 03
Date: 2018-10-22	Copyright: Trenz Electronic GmbH	Page 10 of 33
Filename: ZU_B64_B65.SchDoc		



XCZU15EG-1FFVB1156E



XCZU15EG-1FFVB1156E



Title: TEC0850 - FPGA_B66_B67		
A4	Number: TEC0850 BBEX1-A	Rev. 03
Date: 2018-10-22	Copyright: Trenz Electronic GmbH	Page 11 of 33
Filename: ZU_B66_B67.SchDoc		

A

A

B

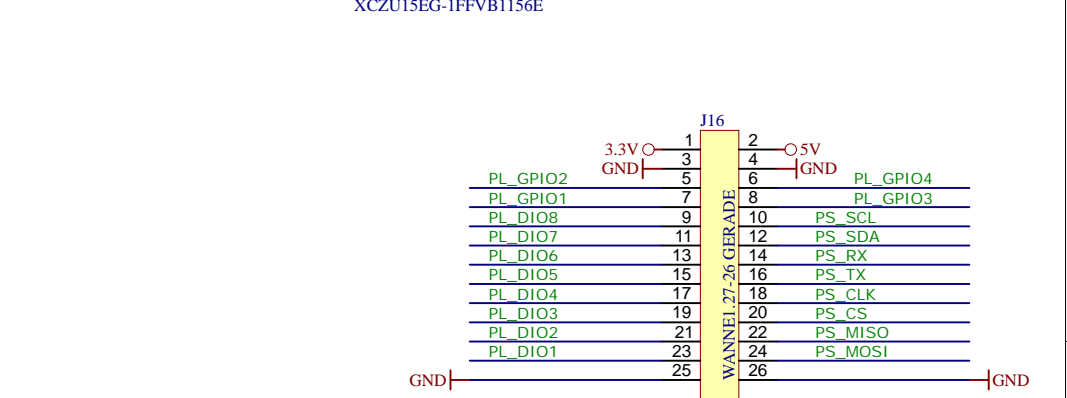
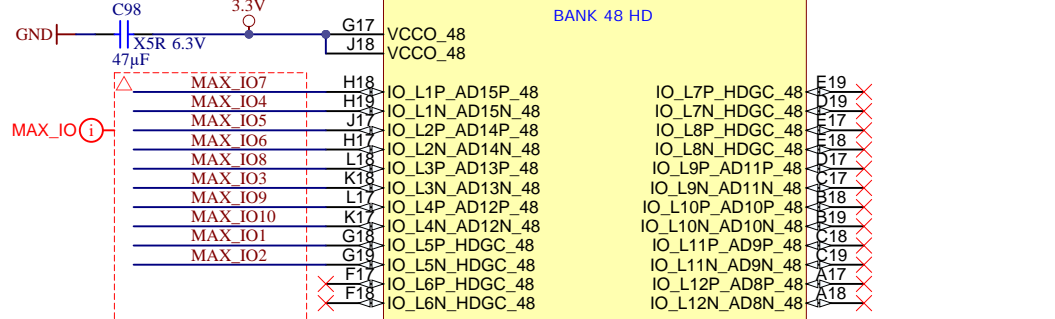
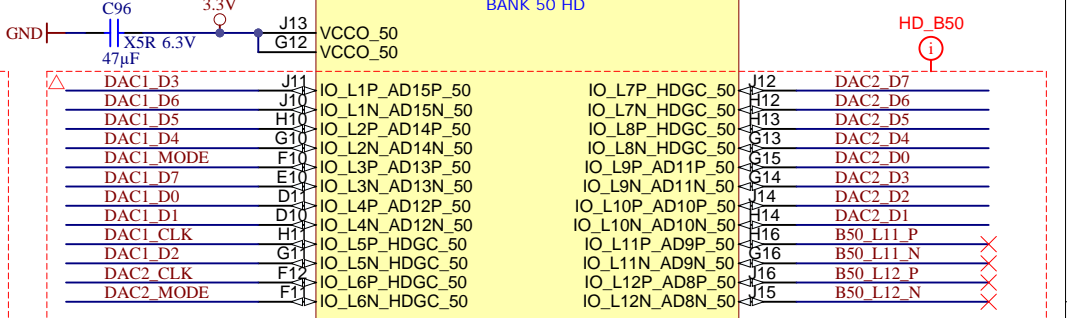
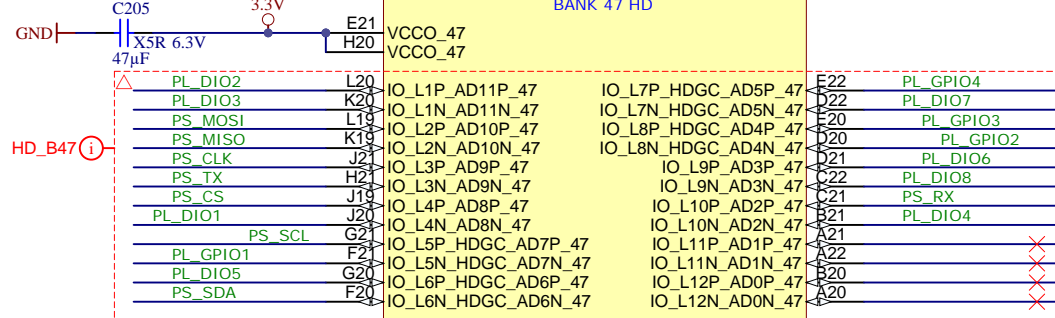
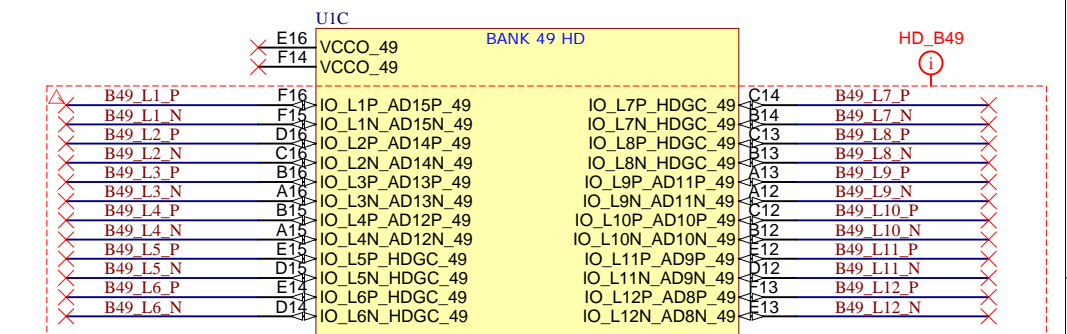
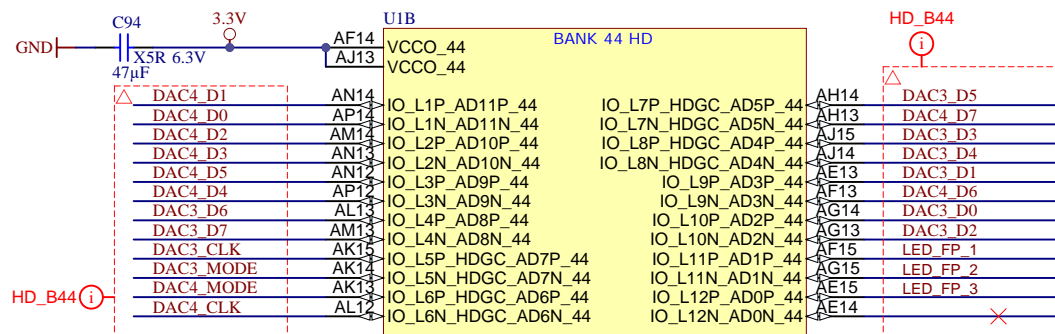
B

C

C

D

D

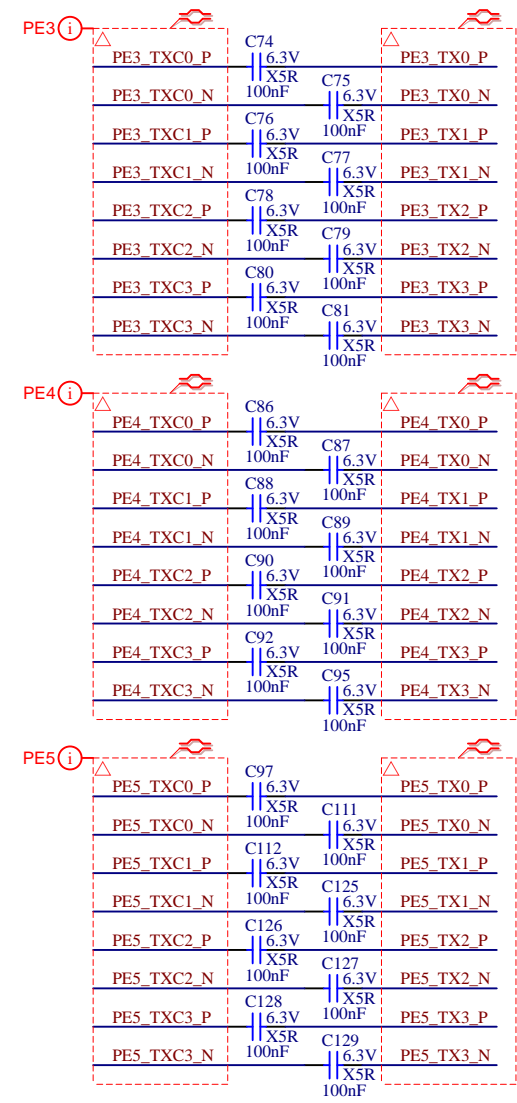
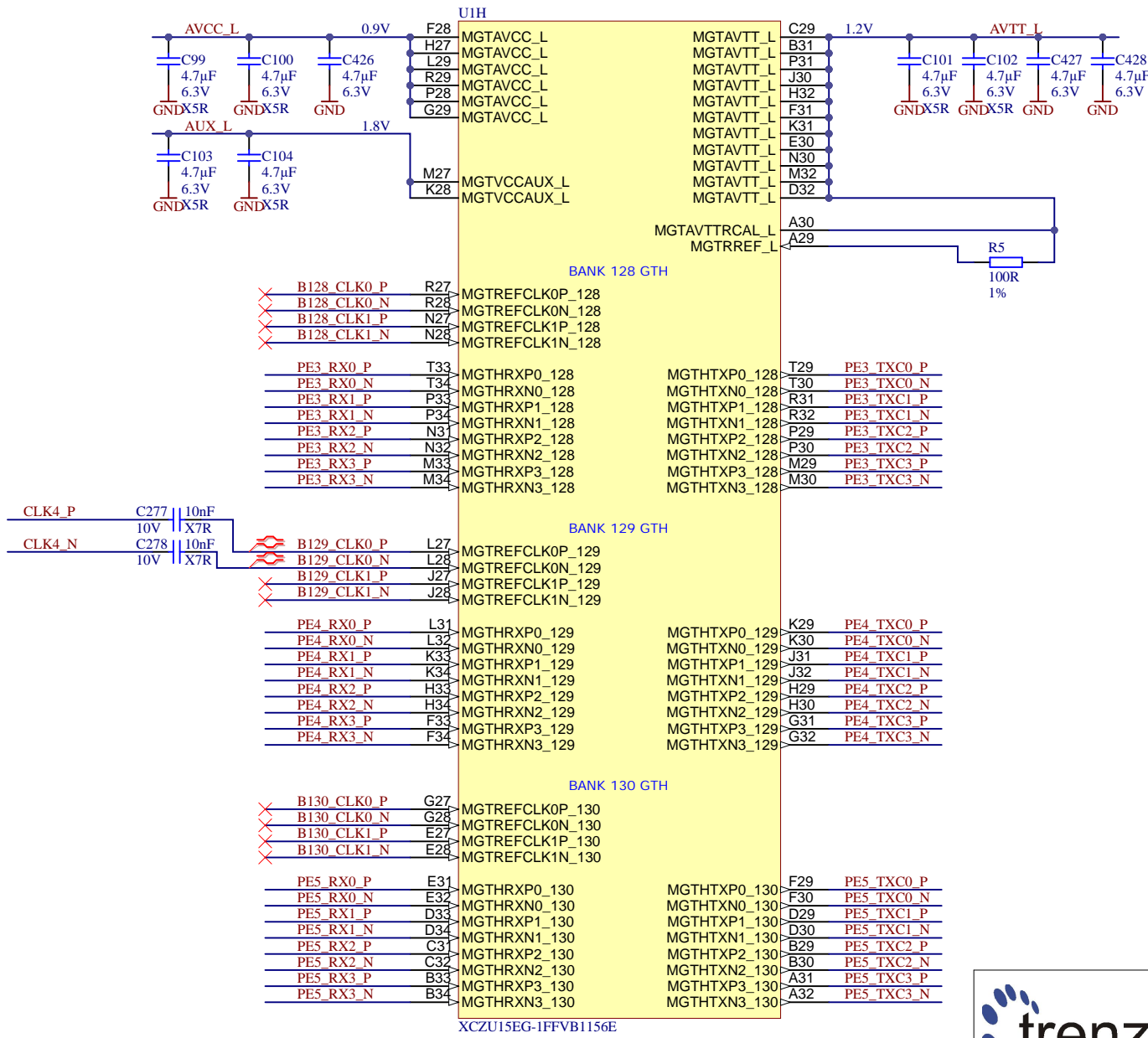


XCZU15EG-1FFVB1156E

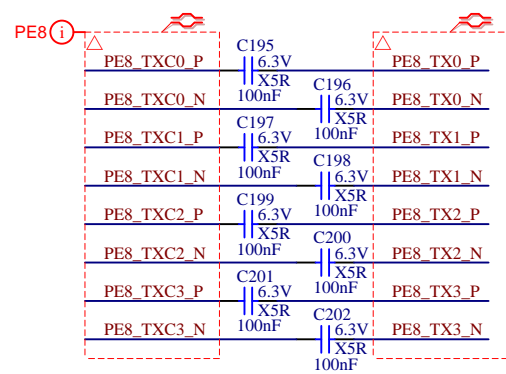
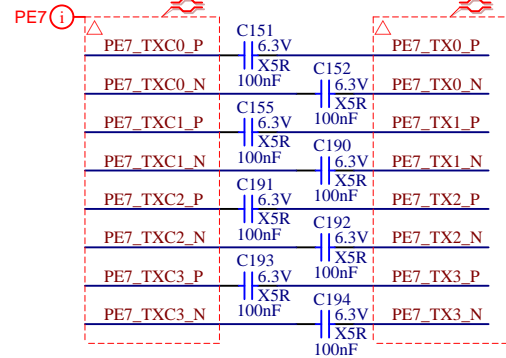
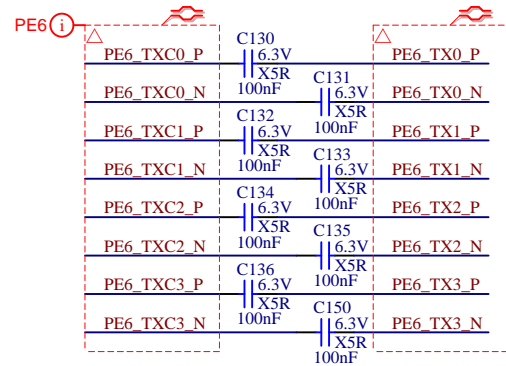
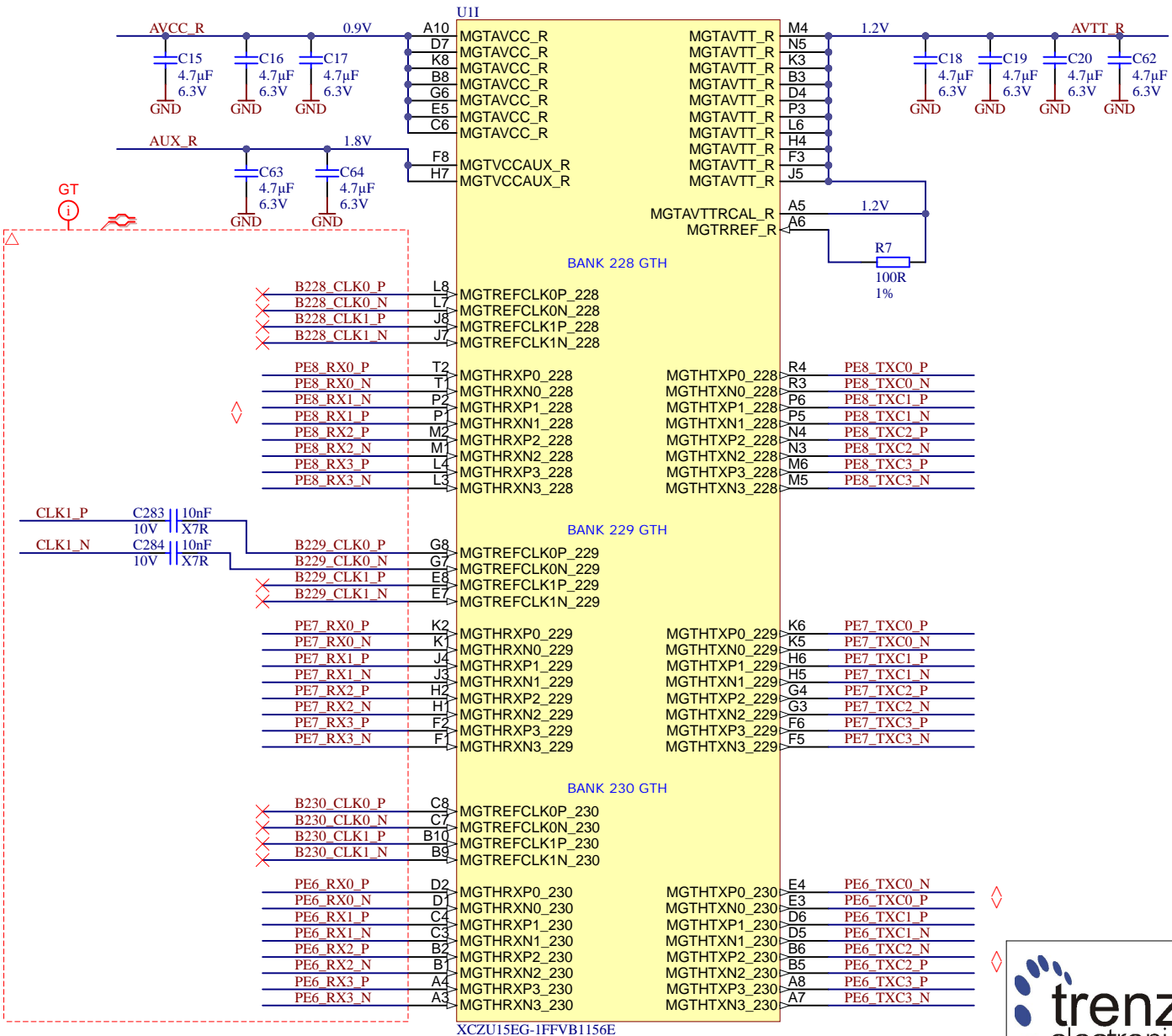
XCZU15EG-1FFVB1156E



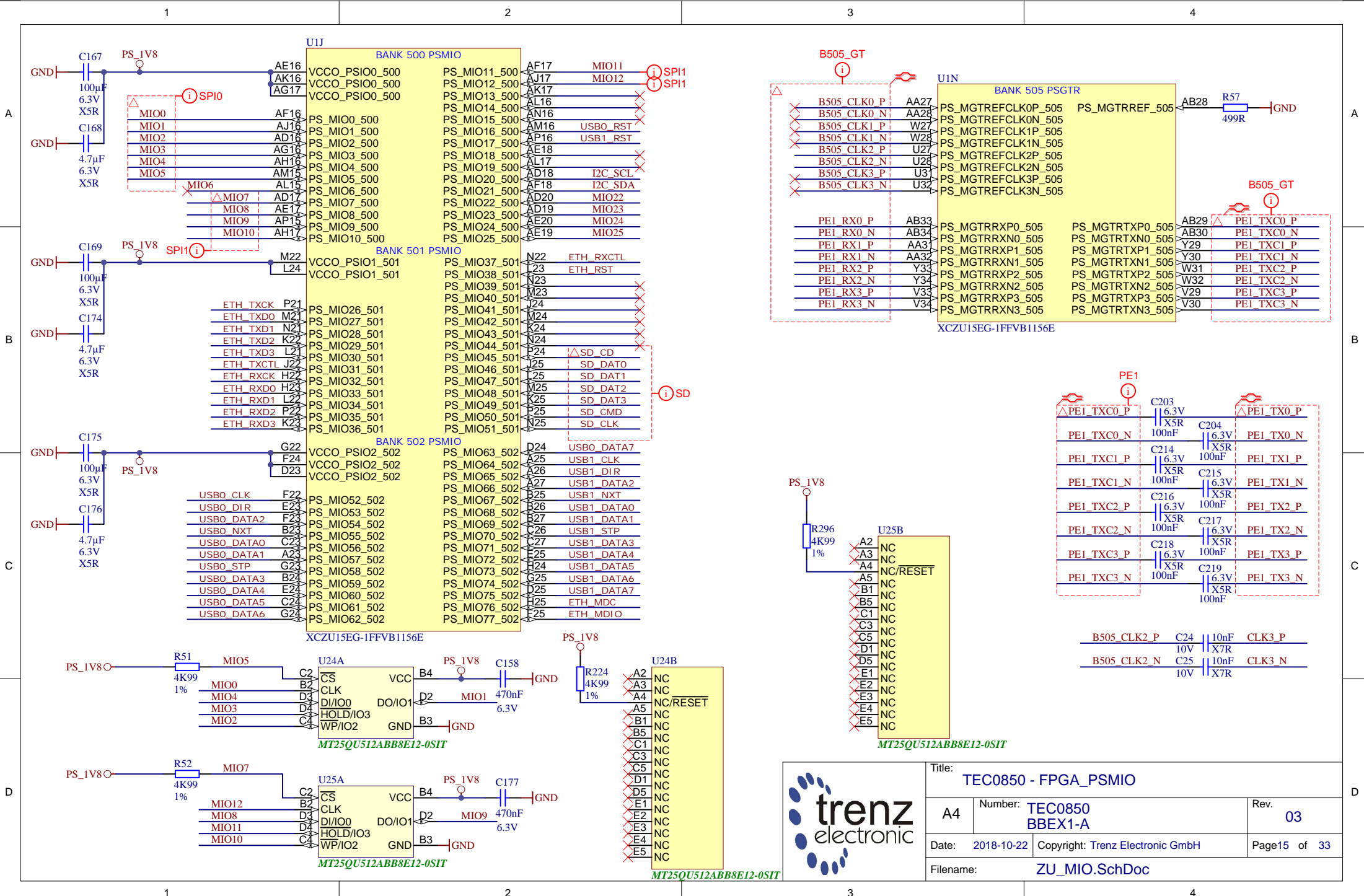
Title: TEC0850 - FPGA_HD		
A4	Number: TEC0850 BBEX1-A	Rev. 03
Date: 2018-10-22	Copyright: Trenz Electronic GmbH	Page 12 of 33
Filename: ZU_HD.SchDoc		



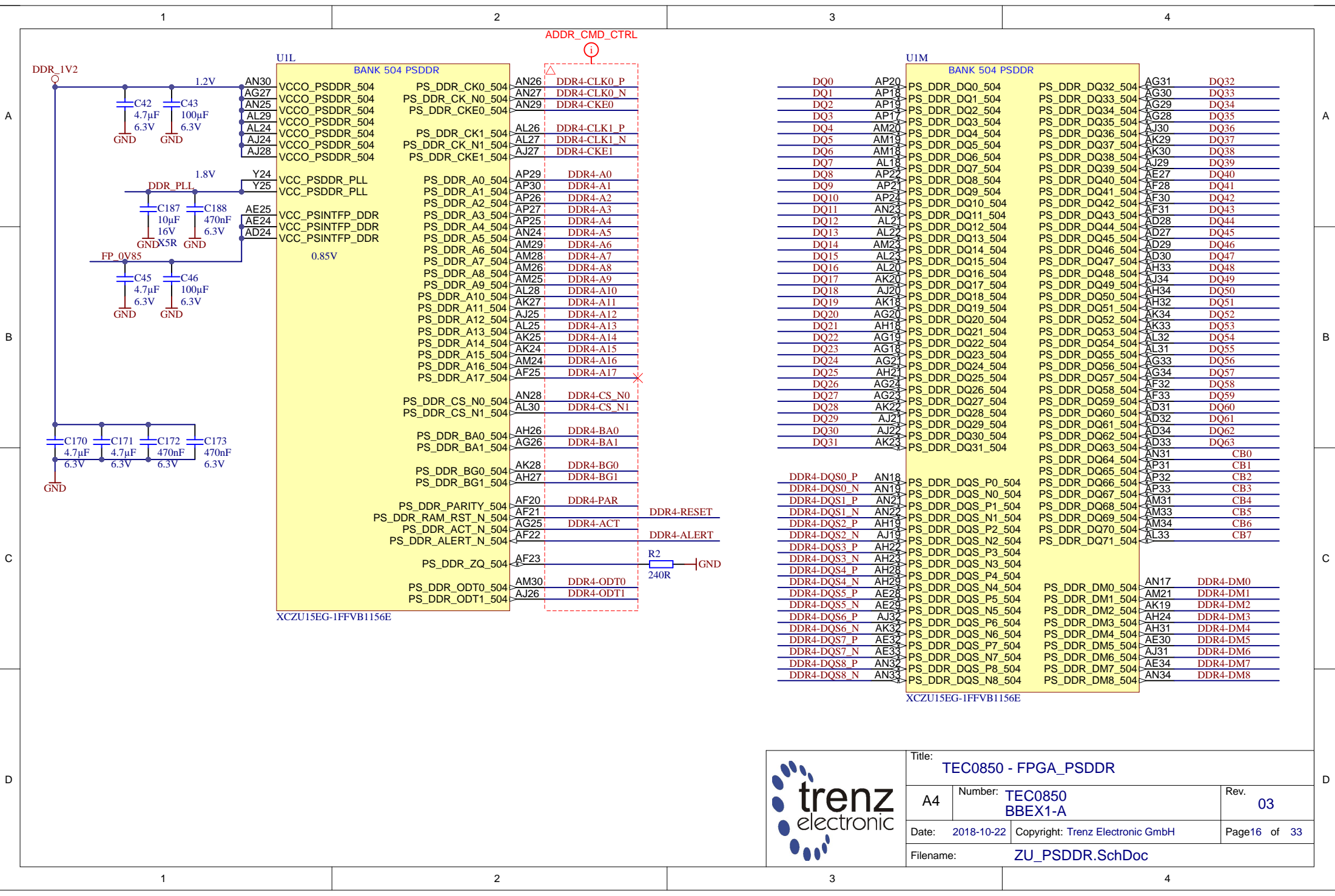
Title: TEC0850 - FPGA_MGT_L		
A4	Number: TEC0850 BBEX1-A	Rev. 03
Date: 2018-10-22	Copyright: Trenz Electronic GmbH	Page 13 of 33
Filename: ZU_MGT_L.SchDoc		



Title: TEC0850 - FPGA_MGT_R		
A4	Number: TEC0850 BBEX1-A	Rev. 03
Date: 2018-10-22	Copyright: Trenz Electronic GmbH	Page 14 of 33
Filename: ZU_MGT_R.SchDoc		



Title: TEC0850 - FPGA_PSMIO		
A4	Number: TEC0850 BBEX1-A	Rev. 03
Date: 2018-10-22	Copyright: Trenz Electronic GmbH	Page 15 of 33
Filename: ZU_MIO.SchDoc		



UI1

BANK 504 PSDDR

VCCO_PSDDR_504	PS_DDR_CK0_504
VCCO_PSDDR_504	PS_DDR_CK_NO_504
VCCO_PSDDR_504	PS_DDR_CKE0_504
VCCO_PSDDR_504	PS_DDR_CK1_504
VCCO_PSDDR_504	PS_DDR_CK_N1_504
VCCO_PSDDR_504	PS_DDR_CKE1_504
VCC_PSDDR_PLL	PS_DDR_A0_504
VCC_PSDDR_PLL	PS_DDR_A1_504
VCC_PSINTFP_DDR	PS_DDR_A2_504
VCC_PSINTFP_DDR	PS_DDR_A3_504
VCC_PSINTFP_DDR	PS_DDR_A4_504
VCC_PSINTFP_DDR	PS_DDR_A5_504
VCC_PSINTFP_DDR	PS_DDR_A6_504
VCC_PSINTFP_DDR	PS_DDR_A7_504
VCC_PSINTFP_DDR	PS_DDR_A8_504
VCC_PSINTFP_DDR	PS_DDR_A9_504
VCC_PSINTFP_DDR	PS_DDR_A10_504
VCC_PSINTFP_DDR	PS_DDR_A11_504
VCC_PSINTFP_DDR	PS_DDR_A12_504
VCC_PSINTFP_DDR	PS_DDR_A13_504
VCC_PSINTFP_DDR	PS_DDR_A14_504
VCC_PSINTFP_DDR	PS_DDR_A15_504
VCC_PSINTFP_DDR	PS_DDR_A16_504
VCC_PSINTFP_DDR	PS_DDR_A17_504
PS_DDR_CS_N0_504	PS_DDR_CS_N0_504
PS_DDR_CS_N1_504	PS_DDR_CS_N1_504
PS_DDR_BA0_504	PS_DDR_BA0_504
PS_DDR_BA1_504	PS_DDR_BA1_504
PS_DDR_BG0_504	PS_DDR_BG0_504
PS_DDR_BG1_504	PS_DDR_BG1_504
PS_DDR_PARITY_504	PS_DDR_PARITY_504
PS_DDR_RAM_RST_N_504	PS_DDR_RAM_RST_N_504
PS_DDR_ACT_N_504	PS_DDR_ACT_N_504
PS_DDR_ALERT_N_504	PS_DDR_ALERT_N_504
PS_DDR_ZQ_504	PS_DDR_ZQ_504
PS_DDR_ODT0_504	PS_DDR_ODT0_504
PS_DDR_ODT1_504	PS_DDR_ODT1_504

XZCU15EG-1FFVB1156E

ADDR_CMD_CTRL

AN26	DDR4-CLK0_P
AN27	DDR4-CLK0_N
AN29	DDR4-CKE0
AL26	DDR4-CLK1_P
AL27	DDR4-CLK1_N
AJ27	DDR4-CKE1
AP29	DDR4-A0
AP30	DDR4-A1
AP26	DDR4-A2
AP27	DDR4-A3
AP25	DDR4-A4
AN24	DDR4-A5
AM29	DDR4-A6
AM28	DDR4-A7
AM26	DDR4-A8
AM25	DDR4-A9
AL28	DDR4-A10
AK27	DDR4-A11
AJ25	DDR4-A12
AL25	DDR4-A13
AK25	DDR4-A14
AK24	DDR4-A15
AM24	DDR4-A16
AF25	DDR4-A17
AN28	DDR4-CS_N0
AL30	DDR4-CS_N1
AH26	DDR4-BA0
AG26	DDR4-BA1
AK28	DDR4-BG0
AH27	DDR4-BG1
AF20	DDR4-PAR
AG25	DDR4-ACT
AF22	DDR4-ALERT
AF23	DDR4-ZQ
AM30	DDR4-ODT0
AJ26	DDR4-ODT1

R2 240R | GND

U1M

BANK 504 PSDDR

DQ0	AP20	PS_DDR_DQ0_504	PS_DDR_DQ32_504	AG31	DQ32
DQ1	AP18	PS_DDR_DQ1_504	PS_DDR_DQ33_504	AG30	DQ33
DQ2	AP19	PS_DDR_DQ2_504	PS_DDR_DQ34_504	AG29	DQ34
DQ3	AP17	PS_DDR_DQ3_504	PS_DDR_DQ35_504	AG28	DQ35
DQ4	AM20	PS_DDR_DQ4_504	PS_DDR_DQ36_504	AJ30	DQ36
DQ5	AM19	PS_DDR_DQ5_504	PS_DDR_DQ37_504	AK29	DQ37
DQ6	AM18	PS_DDR_DQ6_504	PS_DDR_DQ38_504	AK30	DQ38
DQ7	AL18	PS_DDR_DQ7_504	PS_DDR_DQ39_504	AJ29	DQ39
DQ8	AP22	PS_DDR_DQ8_504	PS_DDR_DQ40_504	AE27	DQ40
DQ9	AP21	PS_DDR_DQ9_504	PS_DDR_DQ41_504	AF28	DQ41
DQ10	AP23	PS_DDR_DQ10_504	PS_DDR_DQ42_504	AF30	DQ42
DQ11	AN23	PS_DDR_DQ11_504	PS_DDR_DQ43_504	AF31	DQ43
DQ12	AL23	PS_DDR_DQ12_504	PS_DDR_DQ44_504	AD28	DQ44
DQ13	AL22	PS_DDR_DQ13_504	PS_DDR_DQ45_504	AD27	DQ45
DQ14	AM23	PS_DDR_DQ14_504	PS_DDR_DQ46_504	AD29	DQ46
DQ15	AL23	PS_DDR_DQ15_504	PS_DDR_DQ47_504	AD30	DQ47
DQ16	AL20	PS_DDR_DQ16_504	PS_DDR_DQ48_504	AH33	DQ48
DQ17	AK20	PS_DDR_DQ17_504	PS_DDR_DQ49_504	AJ34	DQ49
DQ18	AJ22	PS_DDR_DQ18_504	PS_DDR_DQ50_504	AH34	DQ50
DQ19	AK18	PS_DDR_DQ19_504	PS_DDR_DQ51_504	AH32	DQ51
DQ20	AG20	PS_DDR_DQ20_504	PS_DDR_DQ52_504	AK34	DQ52
DQ21	AH18	PS_DDR_DQ21_504	PS_DDR_DQ53_504	AK33	DQ53
DQ22	AG18	PS_DDR_DQ22_504	PS_DDR_DQ54_504	AL32	DQ54
DQ23	AG18	PS_DDR_DQ23_504	PS_DDR_DQ55_504	AL31	DQ55
DQ24	AG21	PS_DDR_DQ24_504	PS_DDR_DQ56_504	AG33	DQ56
DQ25	AH21	PS_DDR_DQ25_504	PS_DDR_DQ57_504	AG34	DQ57
DQ26	AG22	PS_DDR_DQ26_504	PS_DDR_DQ58_504	AF32	DQ58
DQ27	AG23	PS_DDR_DQ27_504	PS_DDR_DQ59_504	AF33	DQ59
DQ28	AK22	PS_DDR_DQ28_504	PS_DDR_DQ60_504	AD31	DQ60
DQ29	AJ21	PS_DDR_DQ29_504	PS_DDR_DQ61_504	AD32	DQ61
DQ30	AJ22	PS_DDR_DQ30_504	PS_DDR_DQ62_504	AD34	DQ62
DQ31	AK23	PS_DDR_DQ31_504	PS_DDR_DQ63_504	AD33	DQ63
DDR4-DQS0_P	AN18	PS_DDR_DQS_P0_504	PS_DDR_DQ64_504	AN31	CB0
DDR4-DQS0_N	AN19	PS_DDR_DQS_N0_504	PS_DDR_DQ65_504	AP31	CB1
DDR4-DQS1_P	AN21	PS_DDR_DQS_P1_504	PS_DDR_DQ66_504	AP32	CB2
DDR4-DQS1_N	AN22	PS_DDR_DQS_N1_504	PS_DDR_DQ67_504	AP33	CB3
DDR4-DQS2_P	AH19	PS_DDR_DQS_P2_504	PS_DDR_DQ68_504	AM31	CB4
DDR4-DQS2_N	AJ19	PS_DDR_DQS_N2_504	PS_DDR_DQ69_504	AM33	CB5
DDR4-DQS3_P	AH22	PS_DDR_DQS_P3_504	PS_DDR_DQ70_504	AM34	CB6
DDR4-DQS3_N	AH23	PS_DDR_DQS_N3_504	PS_DDR_DQ71_504	AL33	CB7
DDR4-DQS4_P	AH28	PS_DDR_DQS_P4_504	PS_DDR_DM0_504	AN17	DDR4-DM0
DDR4-DQS4_N	AH29	PS_DDR_DQS_N4_504	PS_DDR_DM1_504	AM21	DDR4-DM1
DDR4-DQS5_P	AE28	PS_DDR_DQS_P5_504	PS_DDR_DM2_504	AK19	DDR4-DM2
DDR4-DQS5_N	AE29	PS_DDR_DQS_N5_504	PS_DDR_DM3_504	AH24	DDR4-DM3
DDR4-DQS6_P	AJ32	PS_DDR_DQS_P6_504	PS_DDR_DM4_504	AH31	DDR4-DM4
DDR4-DQS6_N	AK32	PS_DDR_DQS_N6_504	PS_DDR_DM5_504	AE30	DDR4-DM5
DDR4-DQS7_P	AE33	PS_DDR_DQS_P7_504	PS_DDR_DM6_504	AJ31	DDR4-DM6
DDR4-DQS7_N	AE34	PS_DDR_DQS_N7_504	PS_DDR_DM7_504	AE34	DDR4-DM7
DDR4-DQS8_P	AN32	PS_DDR_DQS_P8_504	PS_DDR_DM8_504	AN34	DDR4-DM8
DDR4-DQS8_N	AN33	PS_DDR_DQS_N8_504			

XZCU15EG-1FFVB1156E



Title: TEC0850 - FPGA_PSDDR			
A4	Number: TEC0850 BBEX1-A	Rev. 03	
Date: 2018-10-22	Copyright: Trenz Electronic GmbH	Page 16 of 33	
Filename: ZU_PSDDR.SchDoc			

A

A

B

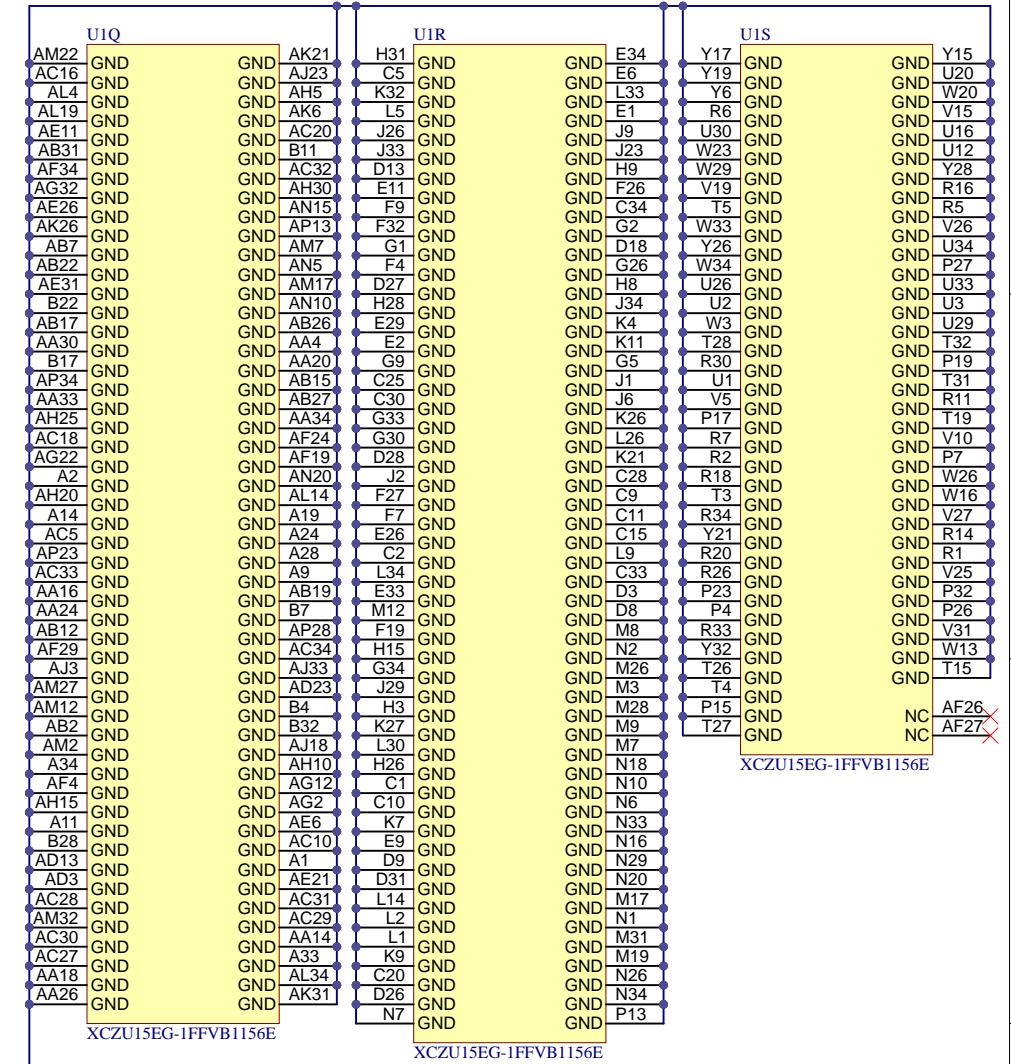
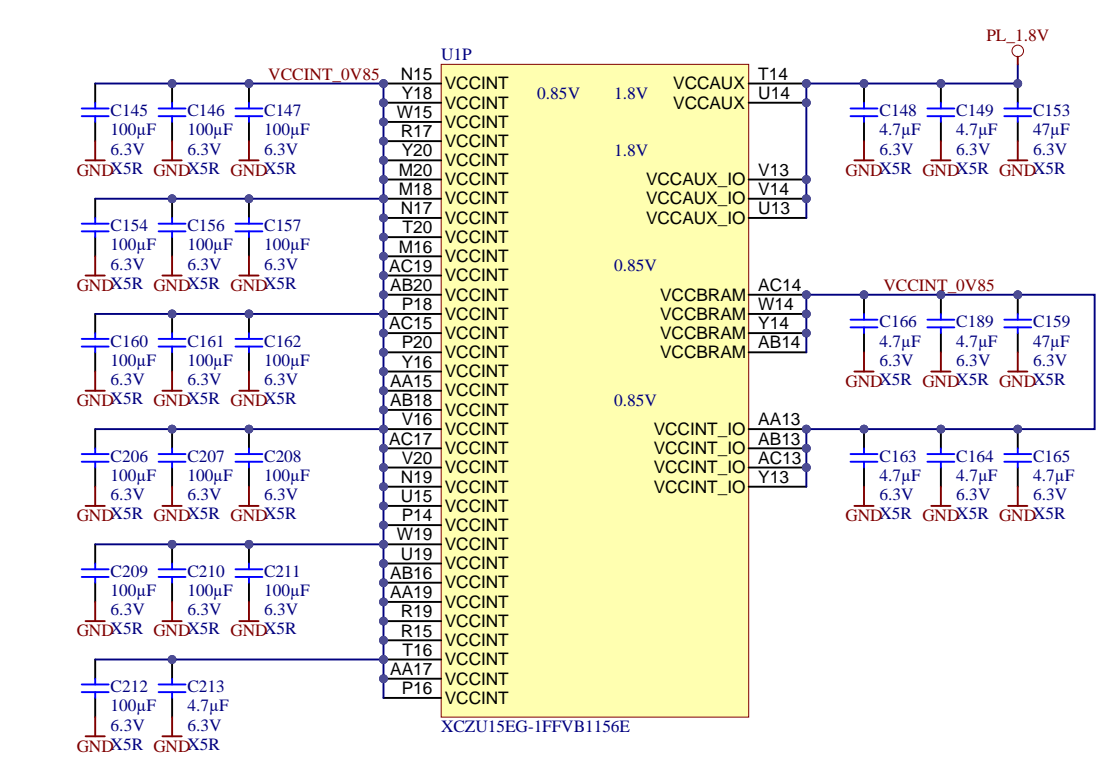
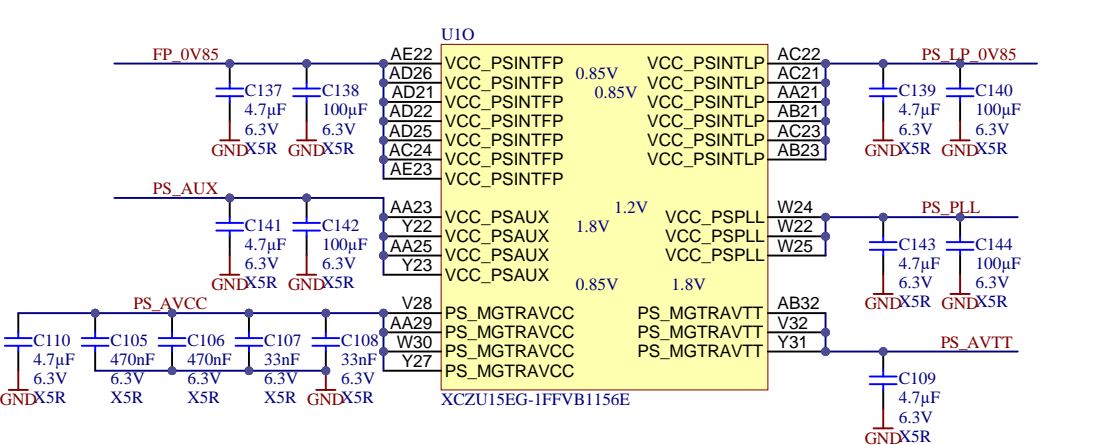
B

C

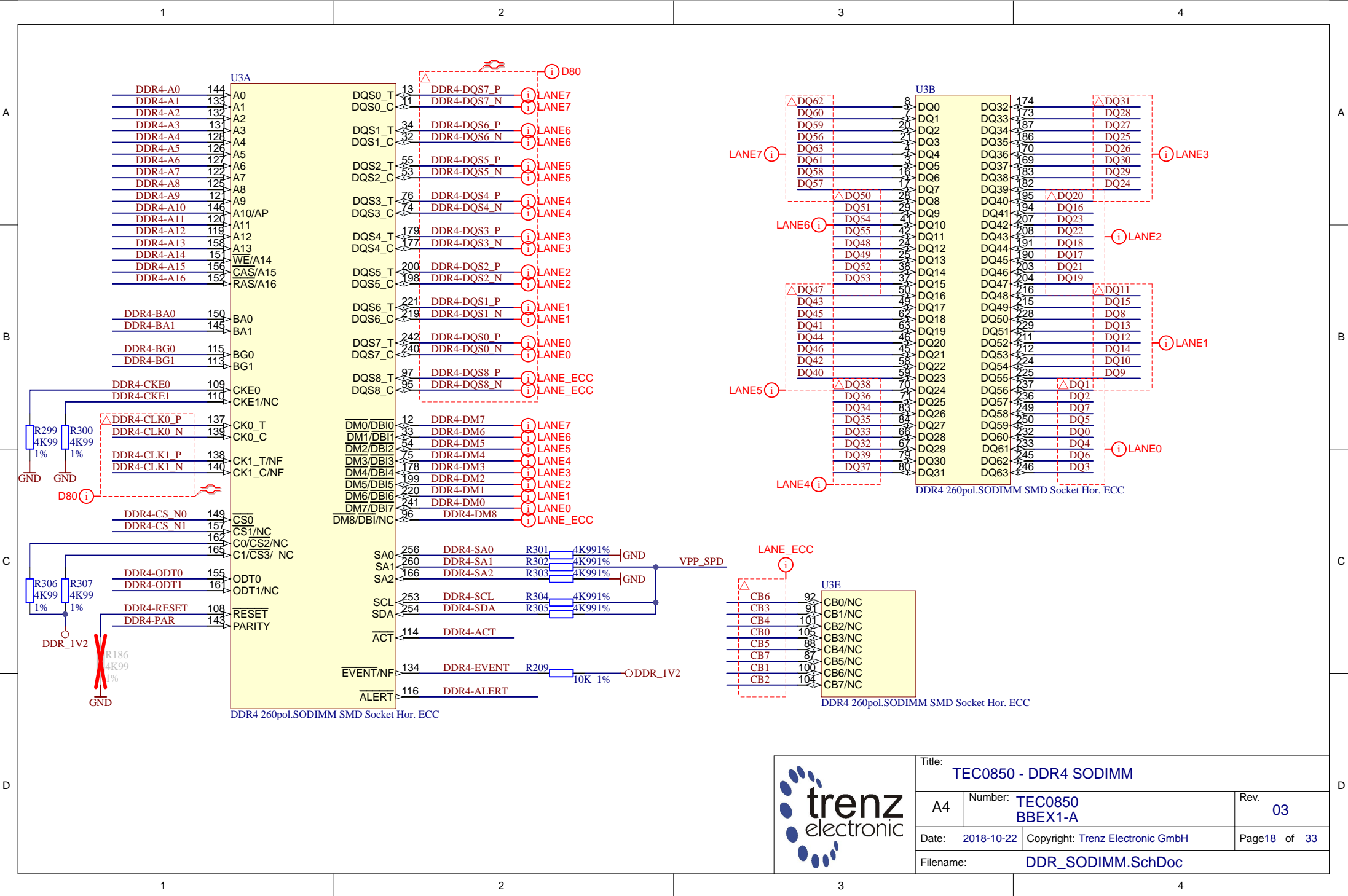
C

D

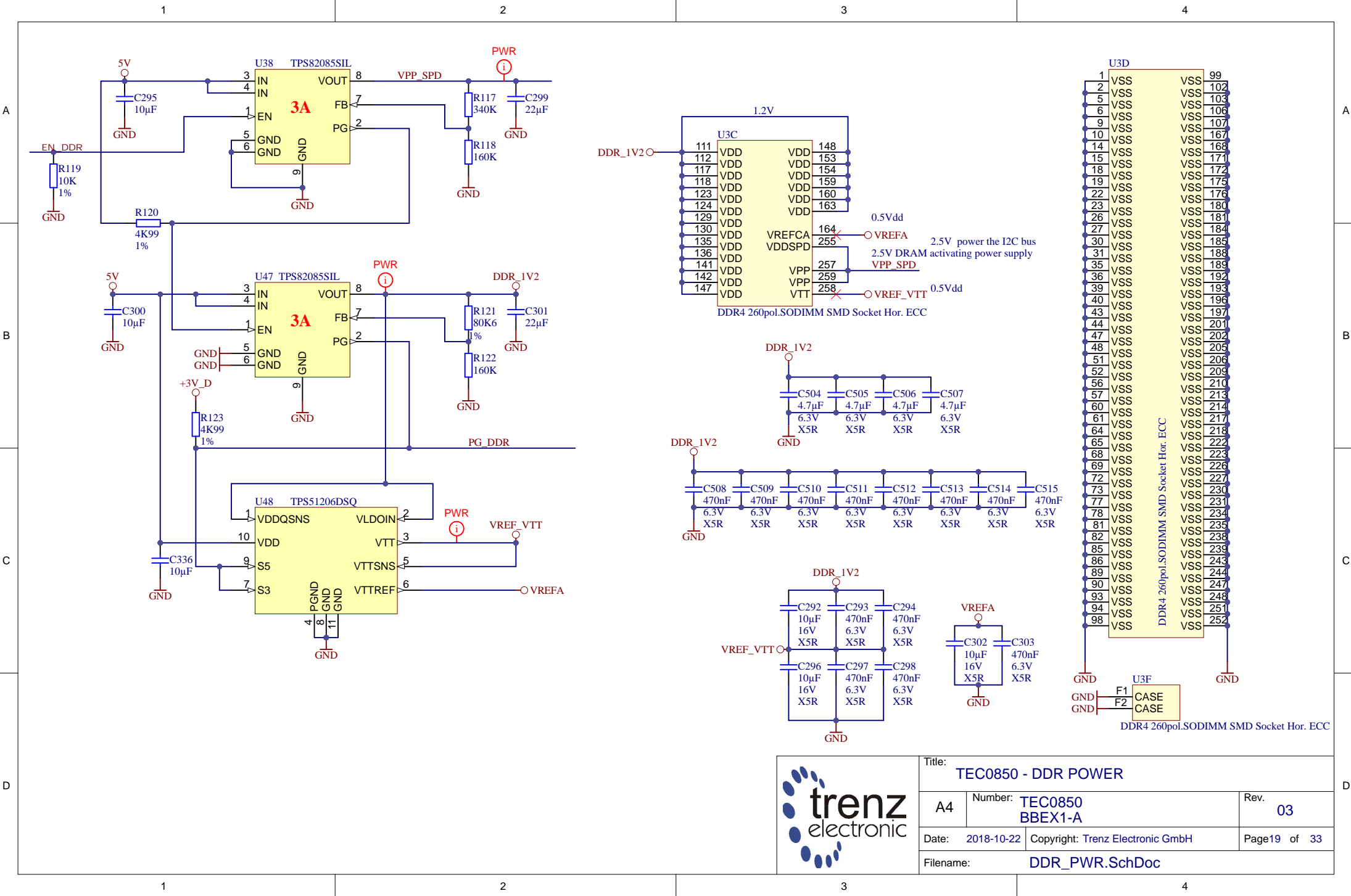
D



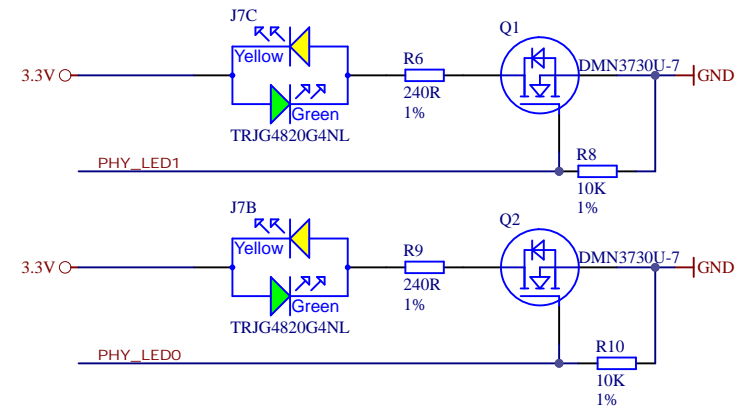
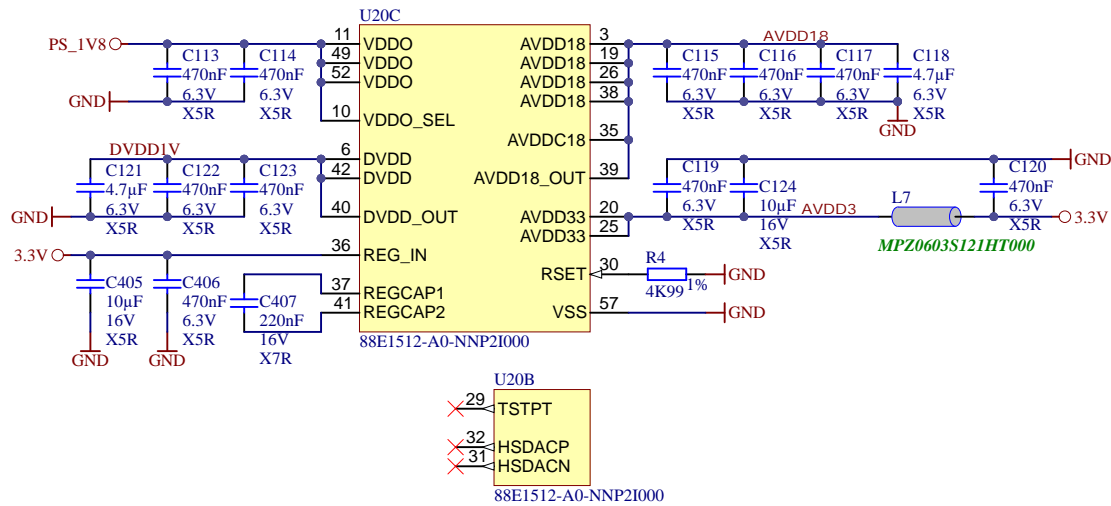
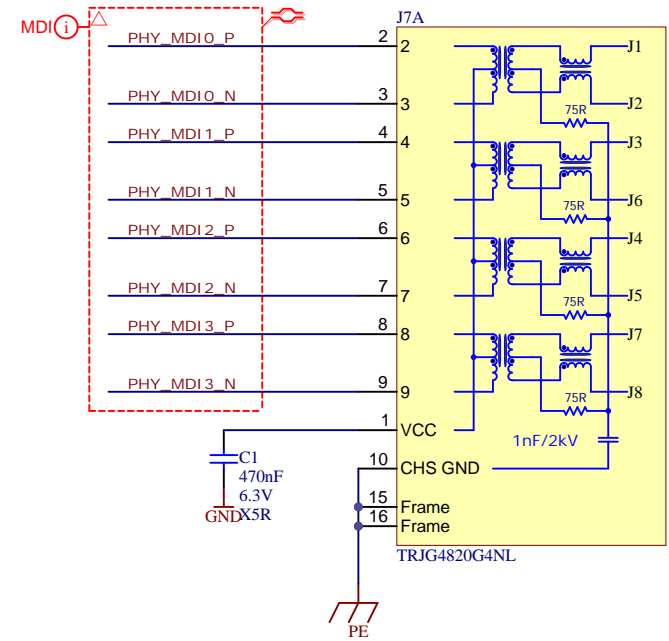
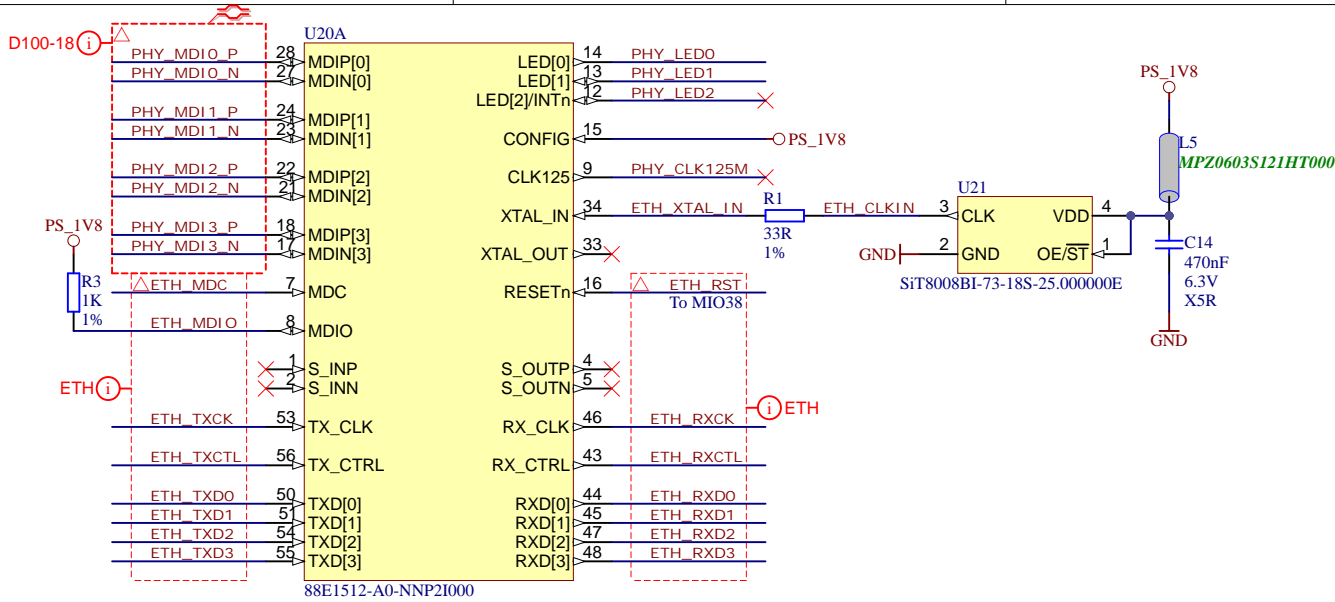
Title: TEC0850 - FPGA_POWER		
A4	Number: TEC0850 BBEX1-A	Rev. 03
Date: 2018-10-22	Copyright: Trenz Electronic GmbH	
Page 17 of 33		Page 17 of 33
Filename: ZU_PWR.SchDoc		



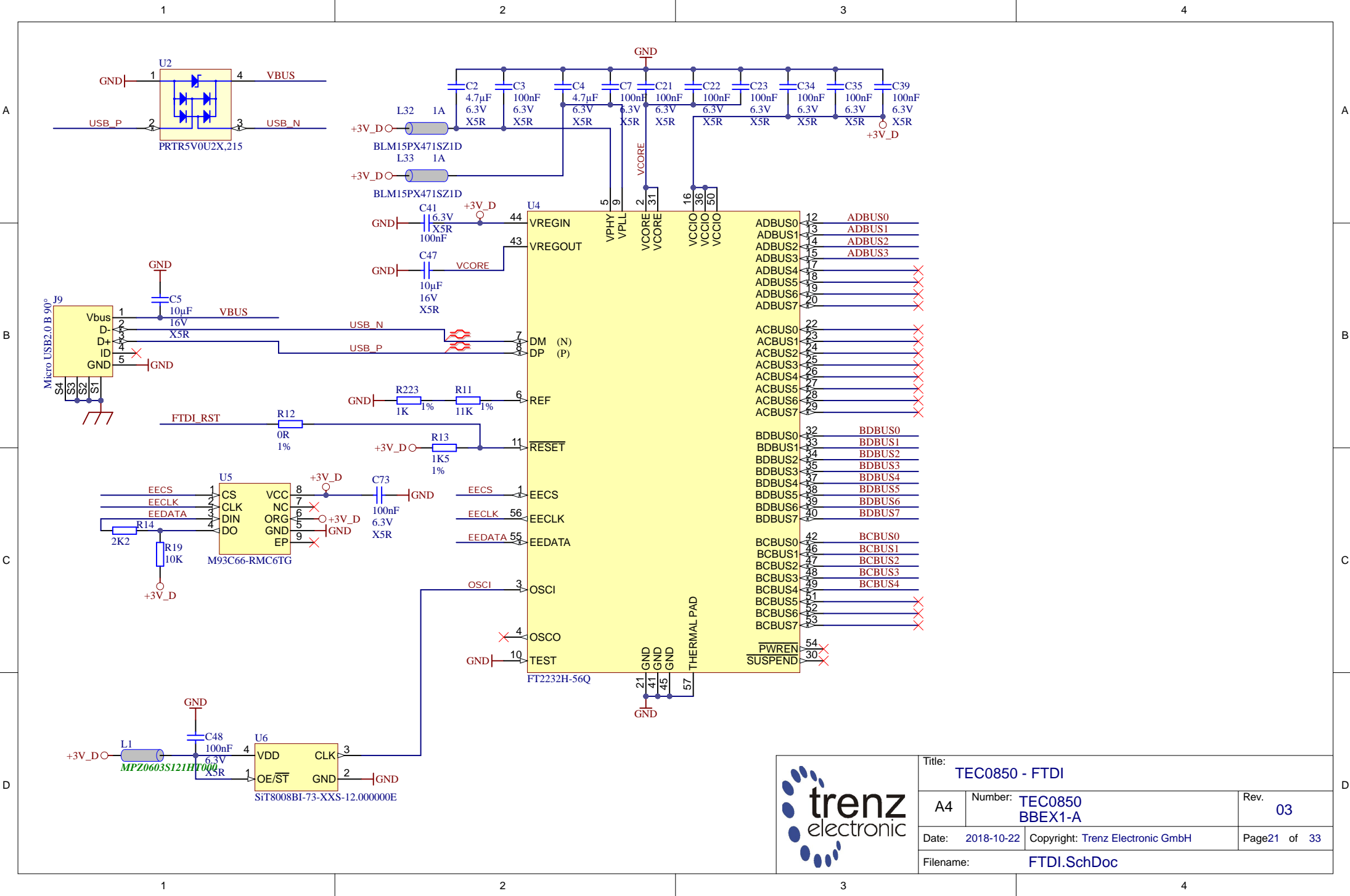
			Title: TEC0850 - DDR4 SODIMM	
			A4	Number: TEC0850 BBEX1-A
Date: 2018-10-22		Copyright: Trenz Electronic GmbH		Page 18 of 33
Filename: DDR_SODIMM.SchDoc				



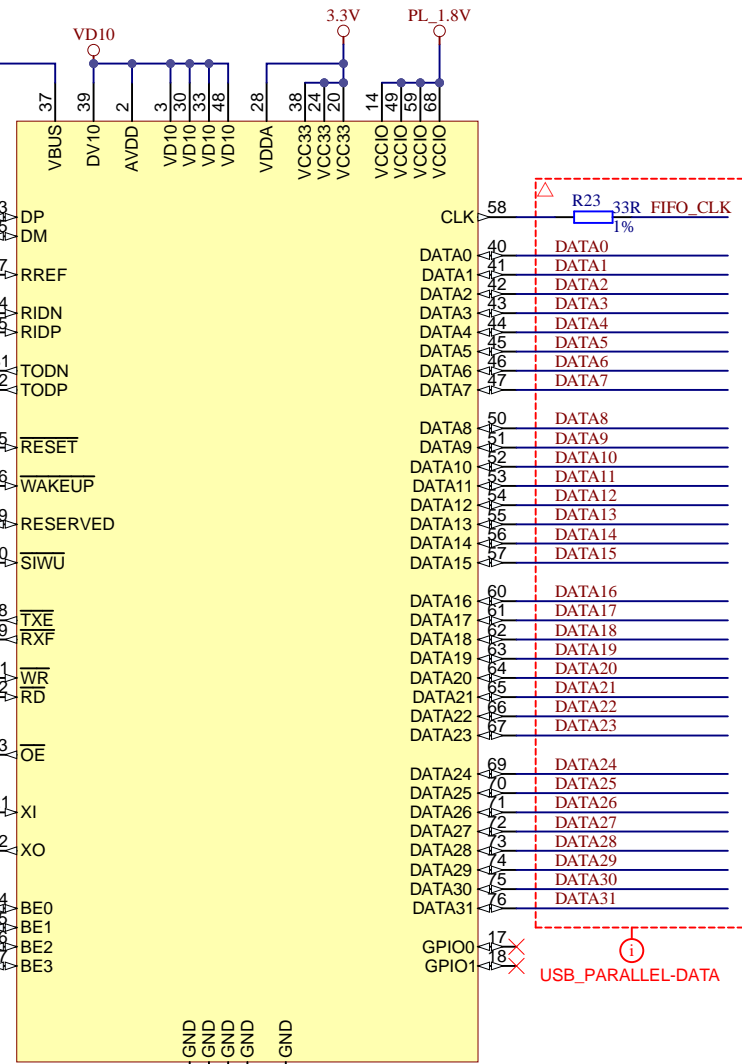
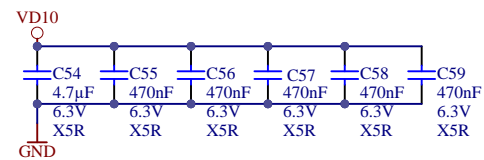
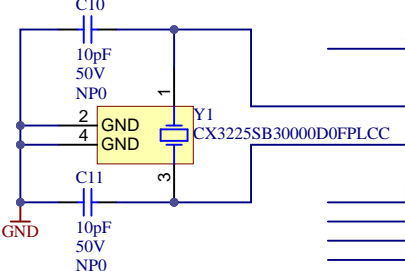
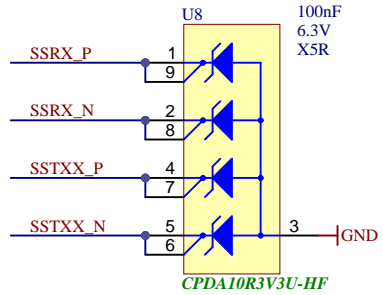
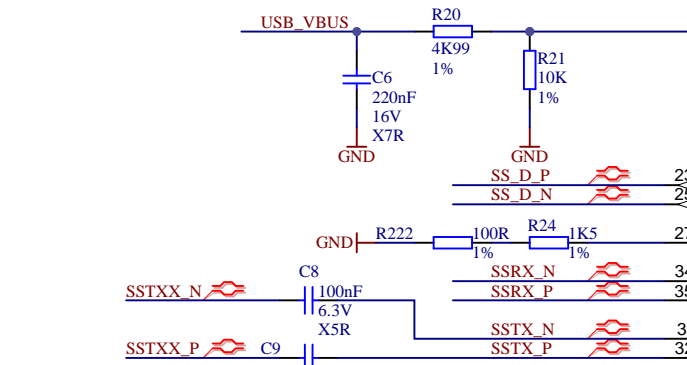
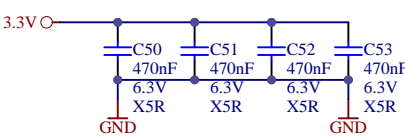
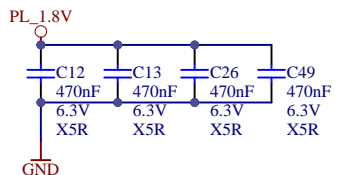
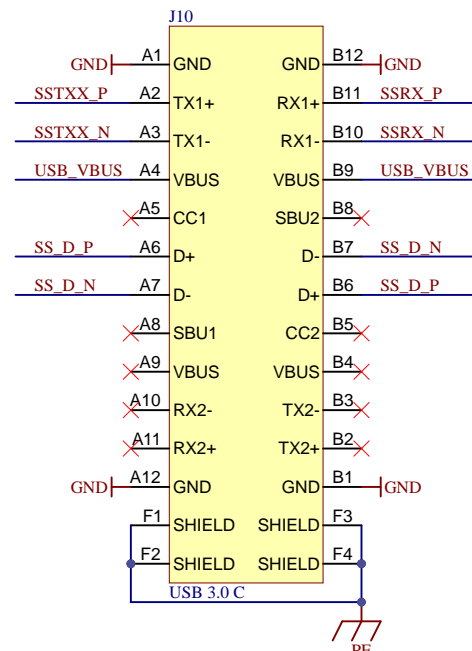
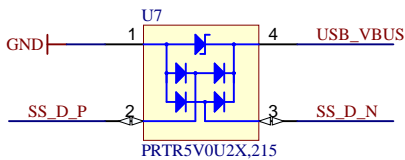
	Title: TEC0850 - DDR POWER	
	A4	Number: TEC0850 BBEX1-A
	Date: 2018-10-22	Copyright: Trenz Electronic GmbH
	Page 19 of 33	Rev. 03
Filename: DDR_PWR.SchDoc		



Title: TEC0850 - ETH		
A4	Number: TEC0850 BBEX1-A	Rev. 03
Date: 2018-10-22	Copyright: Trenz Electronic GmbH	Page 20 of 33
Filename: Ethernet.SchDoc		

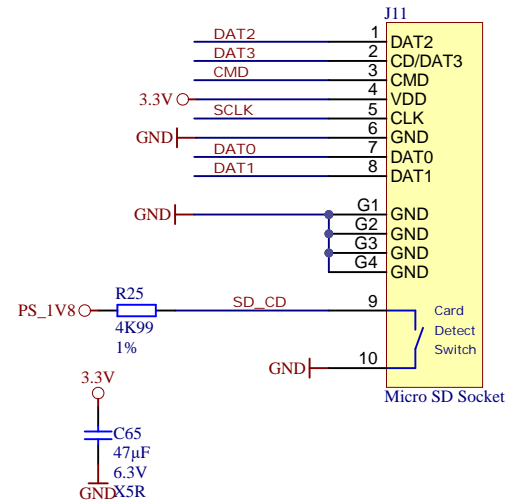
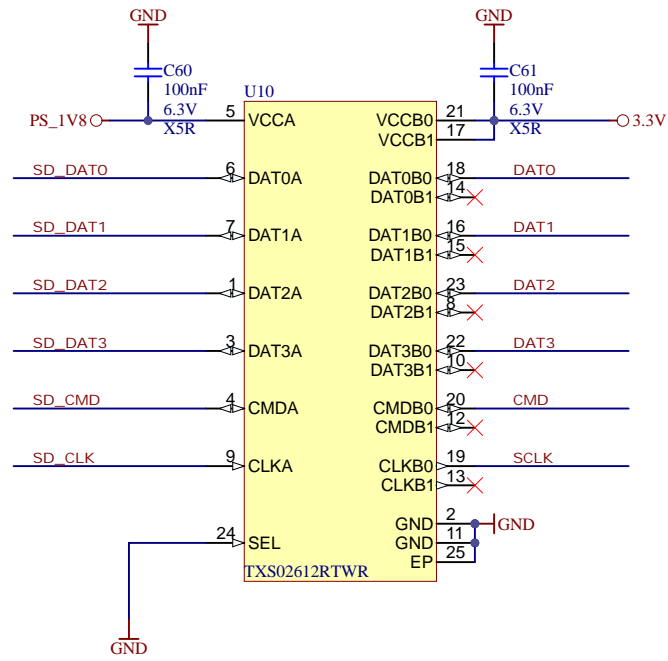



Title: TEC0850 - FTDI		
A4	Number: TEC0850 BBEX1-A	Rev. 03
Date: 2018-10-22	Copyright: Trenz Electronic GmbH	Page21 of 33
Filename: FTDI.SchDoc		

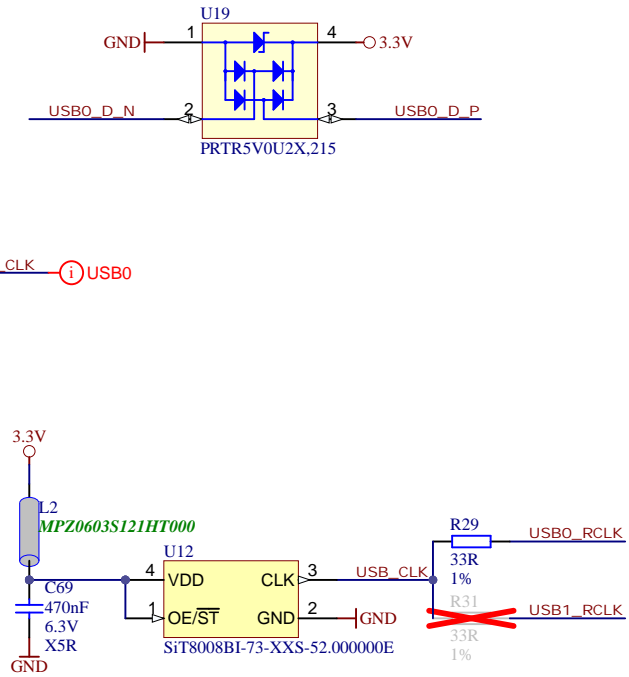
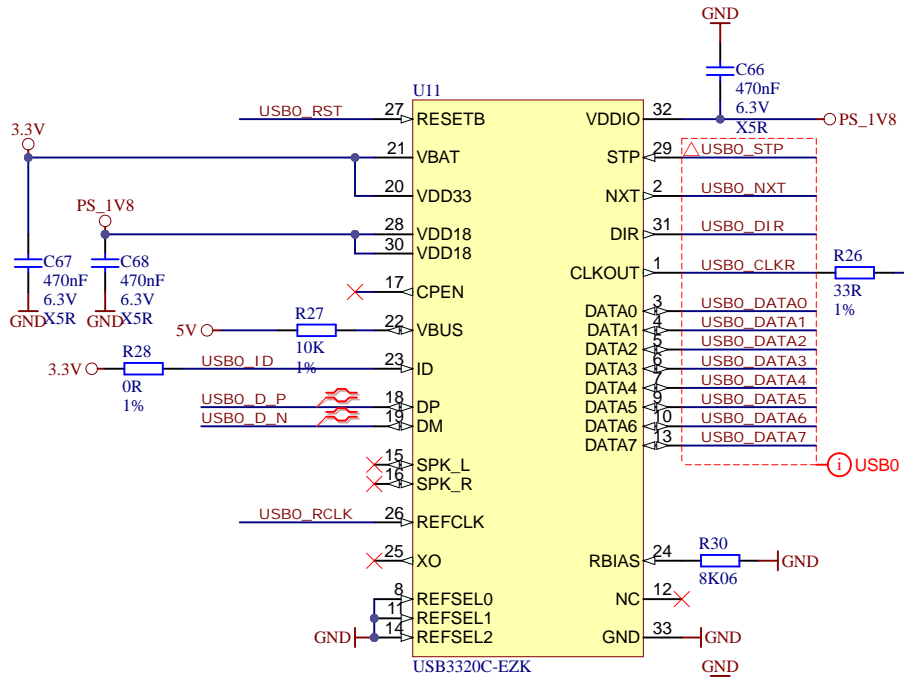


Title: TEC0850 - USB3.0		
A4	Number: TEC0850 BBEX1-A	Rev. 03
Date: 2018-10-22	Copyright: Trenz Electronic GmbH	Page 22 of 33
Filename: USB30.SchDoc		

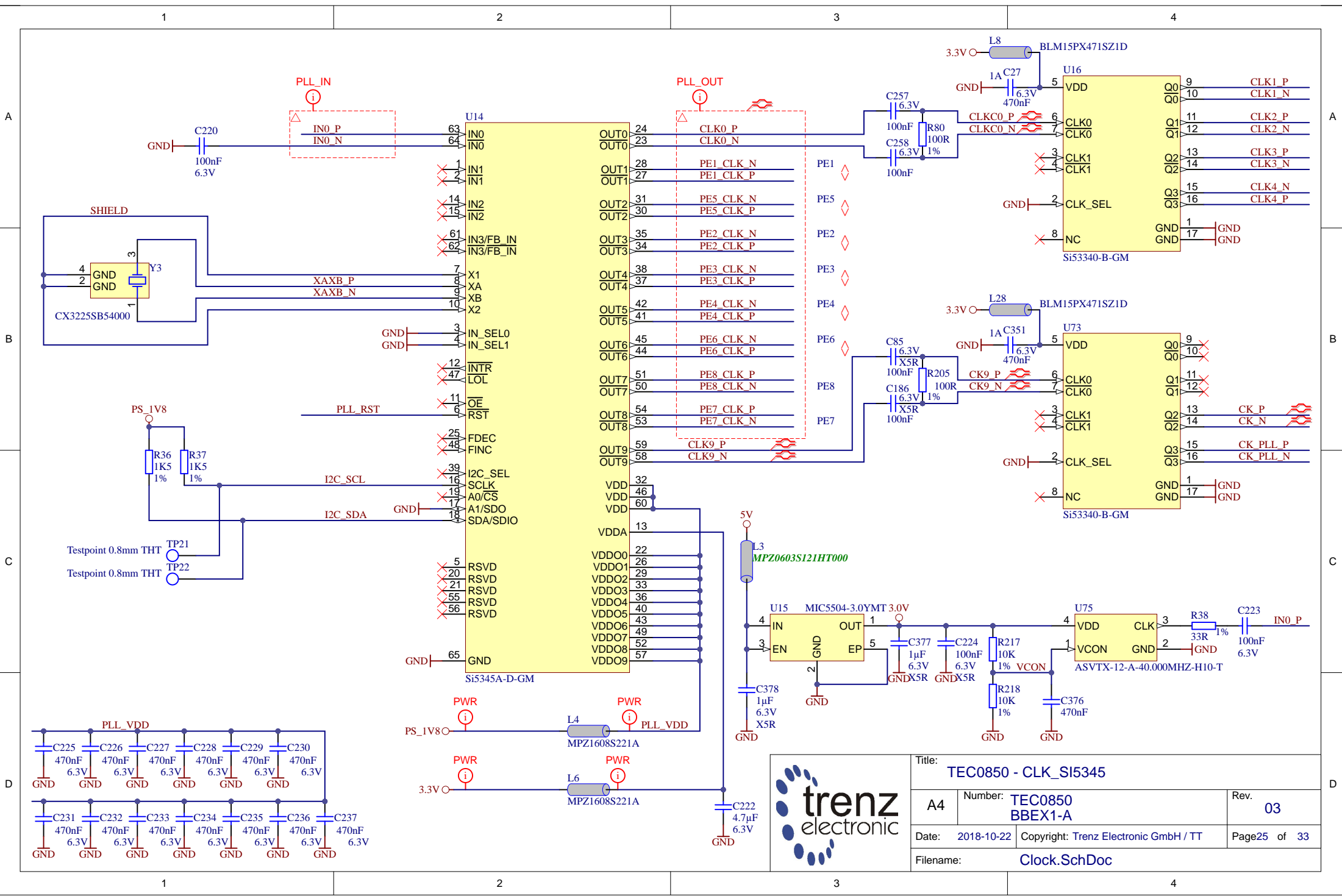




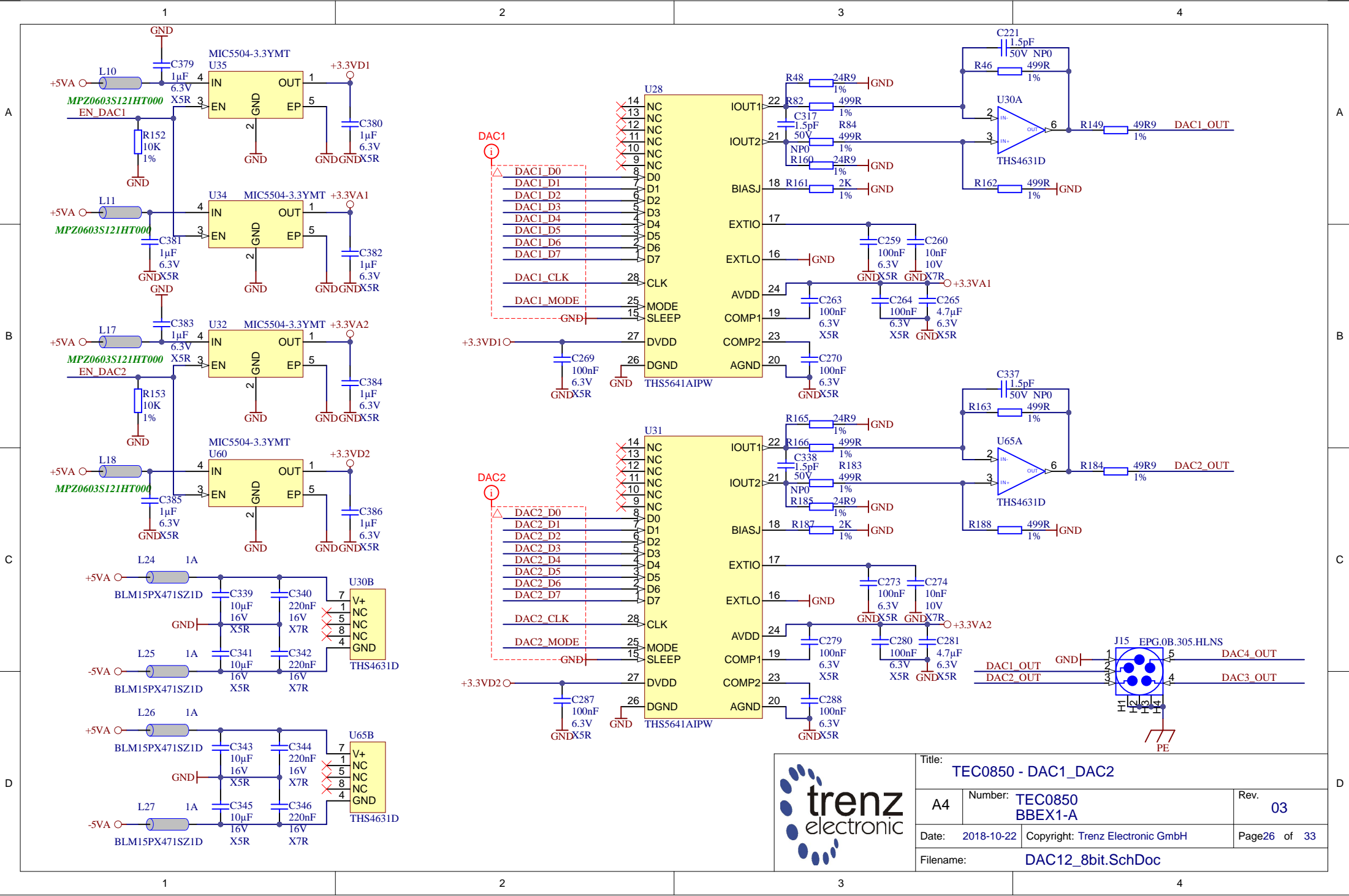
	Title: TEC0850 - SDCard		
	A4	Number: TEC0850 BBEX1-A	Rev. 03
	Date: 2018-10-22	Copyright: Trenz Electronic GmbH	Page23 of 33
	Filename: SDCard.SchDoc		



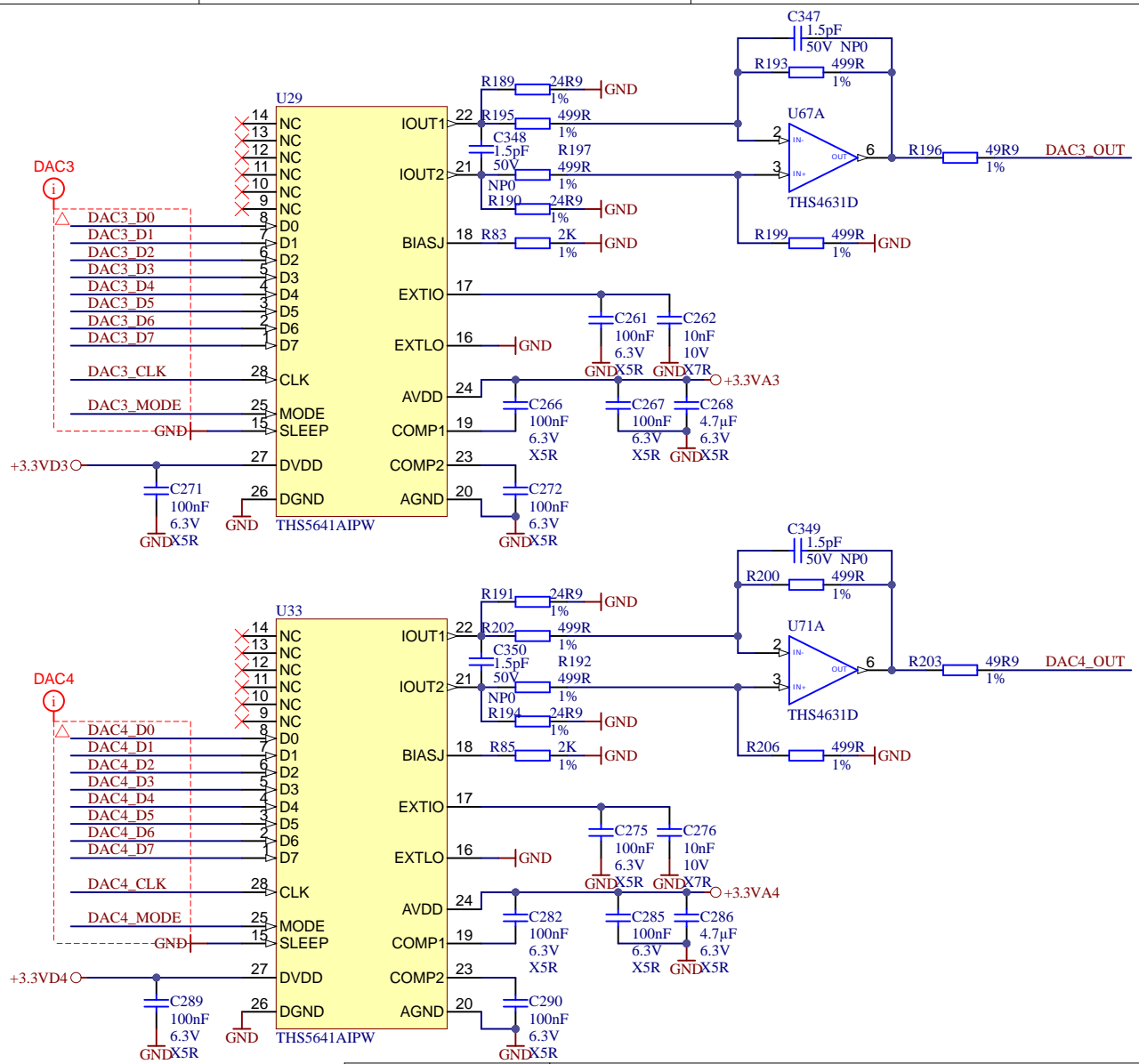
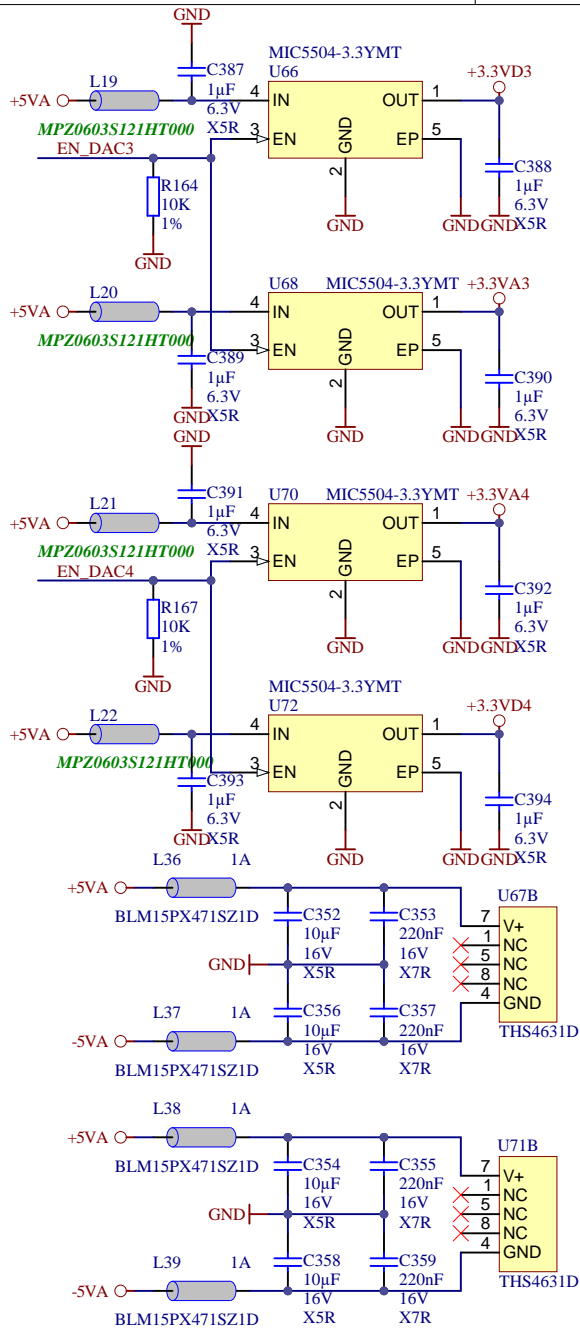
Title: TEC0850 - USB_PHY		
A4	Number: TEC0850 BBEX1-A	Rev. 03
Date: 2018-10-22	Copyright: Trenz Electronic GmbH	
Filename: USB-PHY.SchDoc		Page 24 of 33



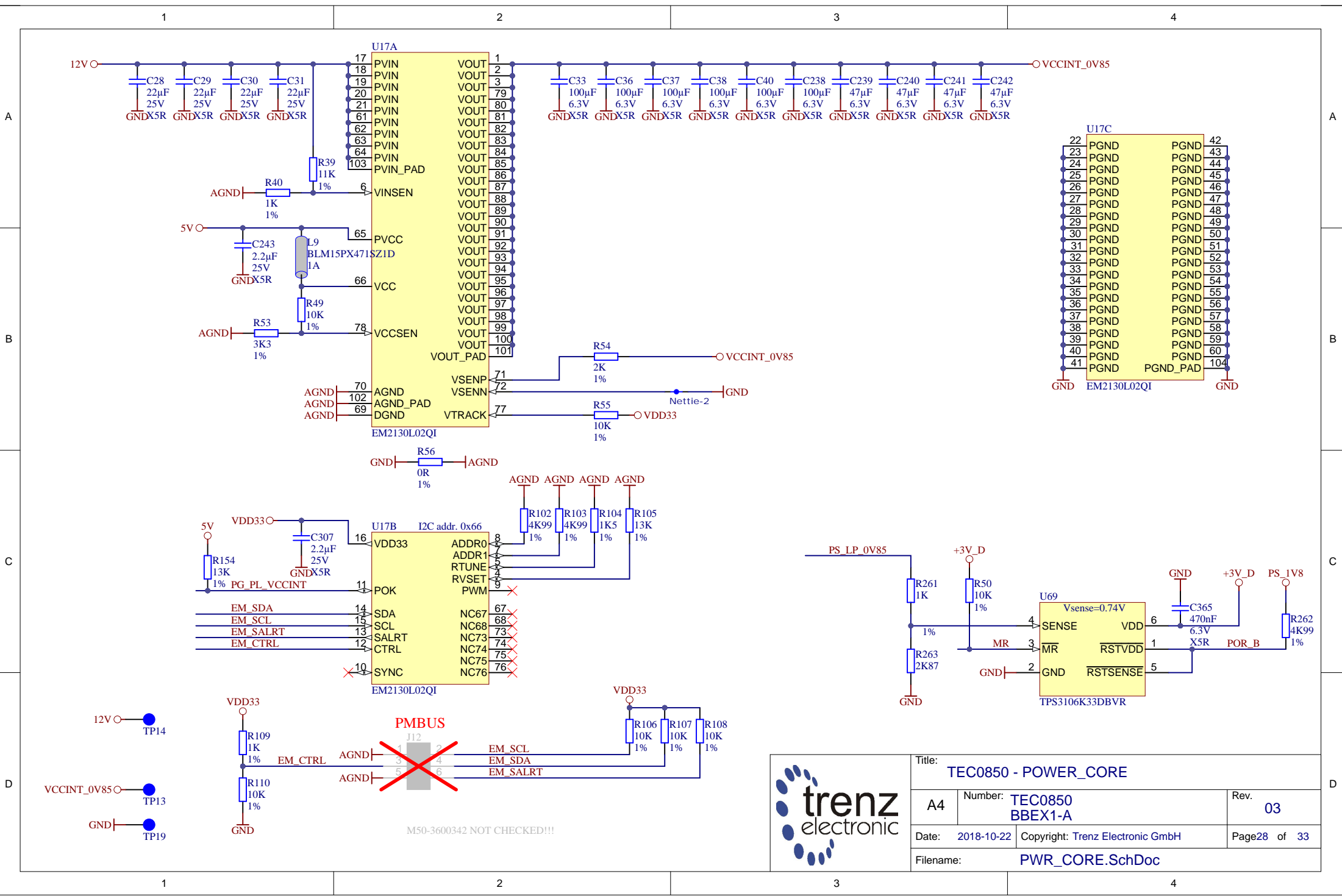
Title: TEC0850 - CLK_SI5345		
A4	Number: TEC0850 BBEX1-A	Rev. 03
Date: 2018-10-22	Copyright: Trenz Electronic GmbH / TT	Page 25 of 33
Filename: Clock.SchDoc		



Title: TEC0850 - DAC1_DAC2		
A4	Number: TEC0850 BBEX1-A	Rev. 03
Date: 2018-10-22	Copyright: Trenz Electronic GmbH	Page26 of 33
Filename: DAC12_8bit.SchDoc		

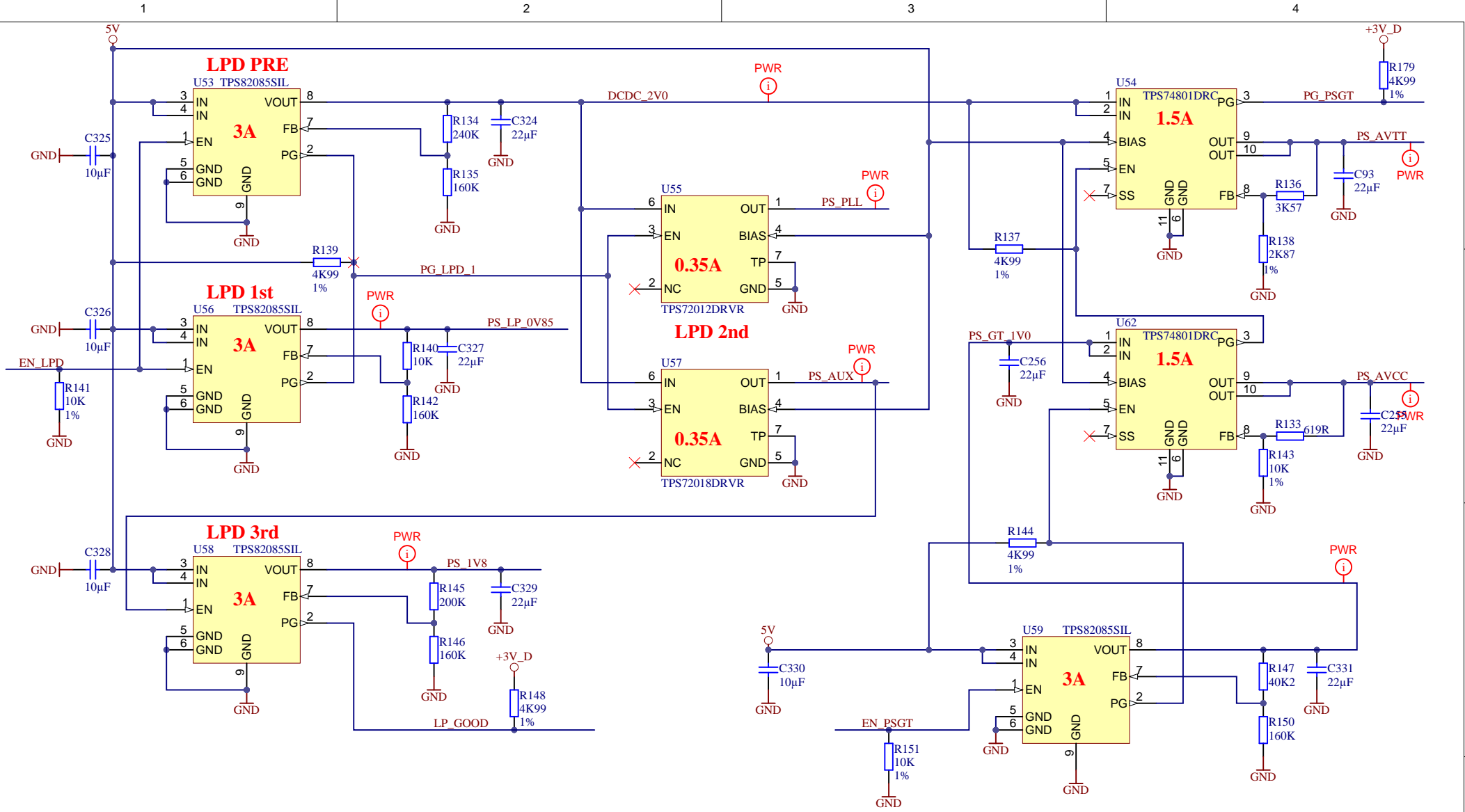



Title: TEC0850 - DAC3_DAC4		
A4	Number: TEC0850 BBEX1-A	Rev. 03
Date: 2018-10-22	Copyright: Trenz Electronic GmbH	
Filename: DAC34_8bit.SchDoc		Page 27 of 33

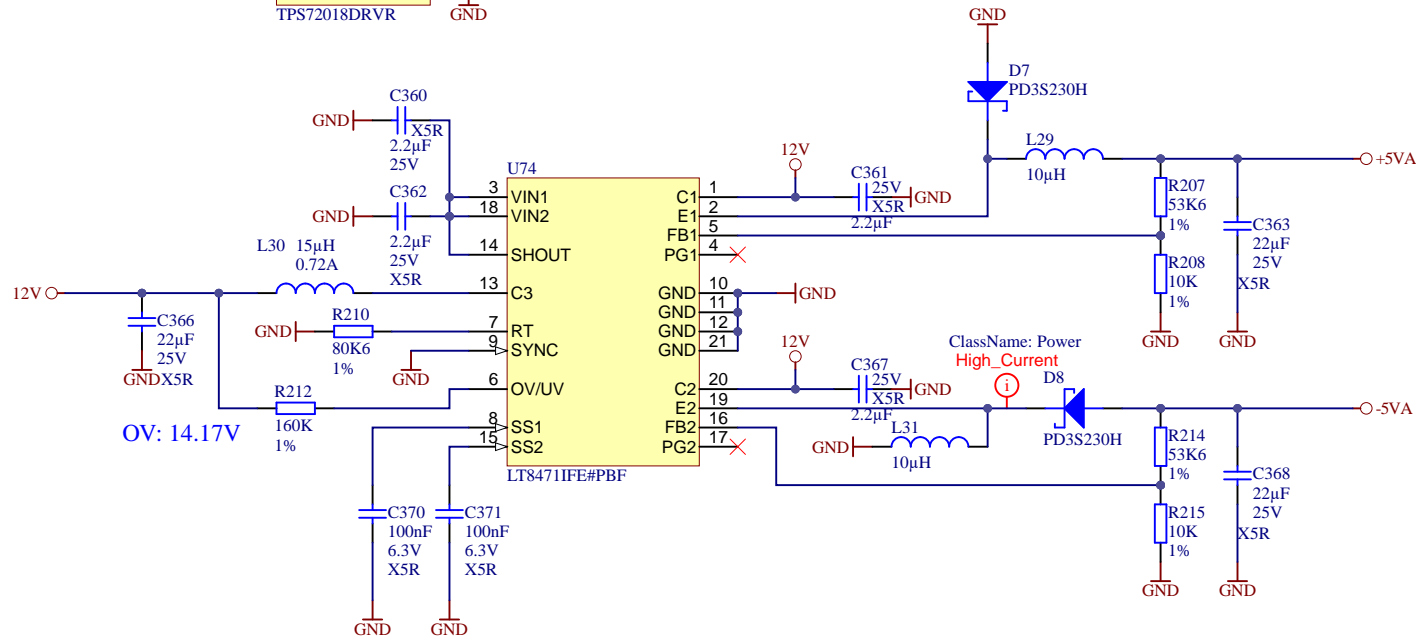
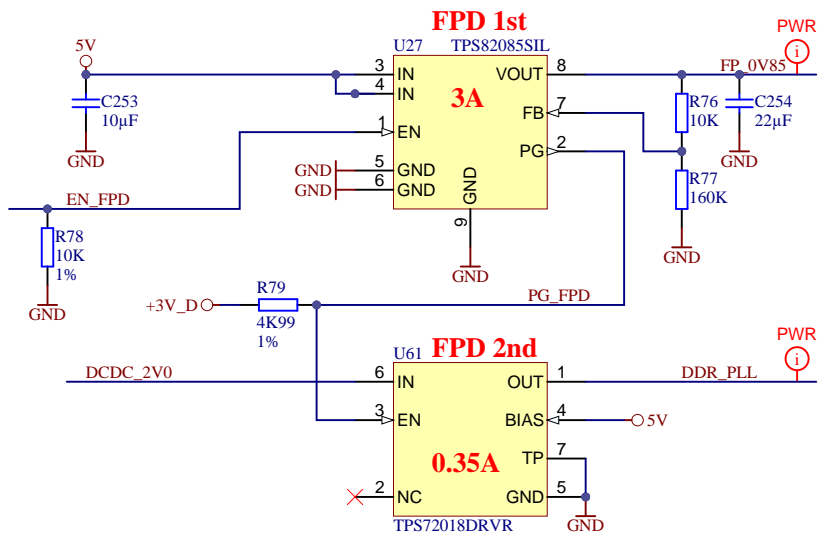


Title: TEC0850 - POWER_CORE		
A4	Number: TEC0850 BBEX1-A	Rev. 03
Date: 2018-10-22	Copyright: Trenz Electronic GmbH	Page 28 of 33
Filename: PWR_CORE.SchDoc		

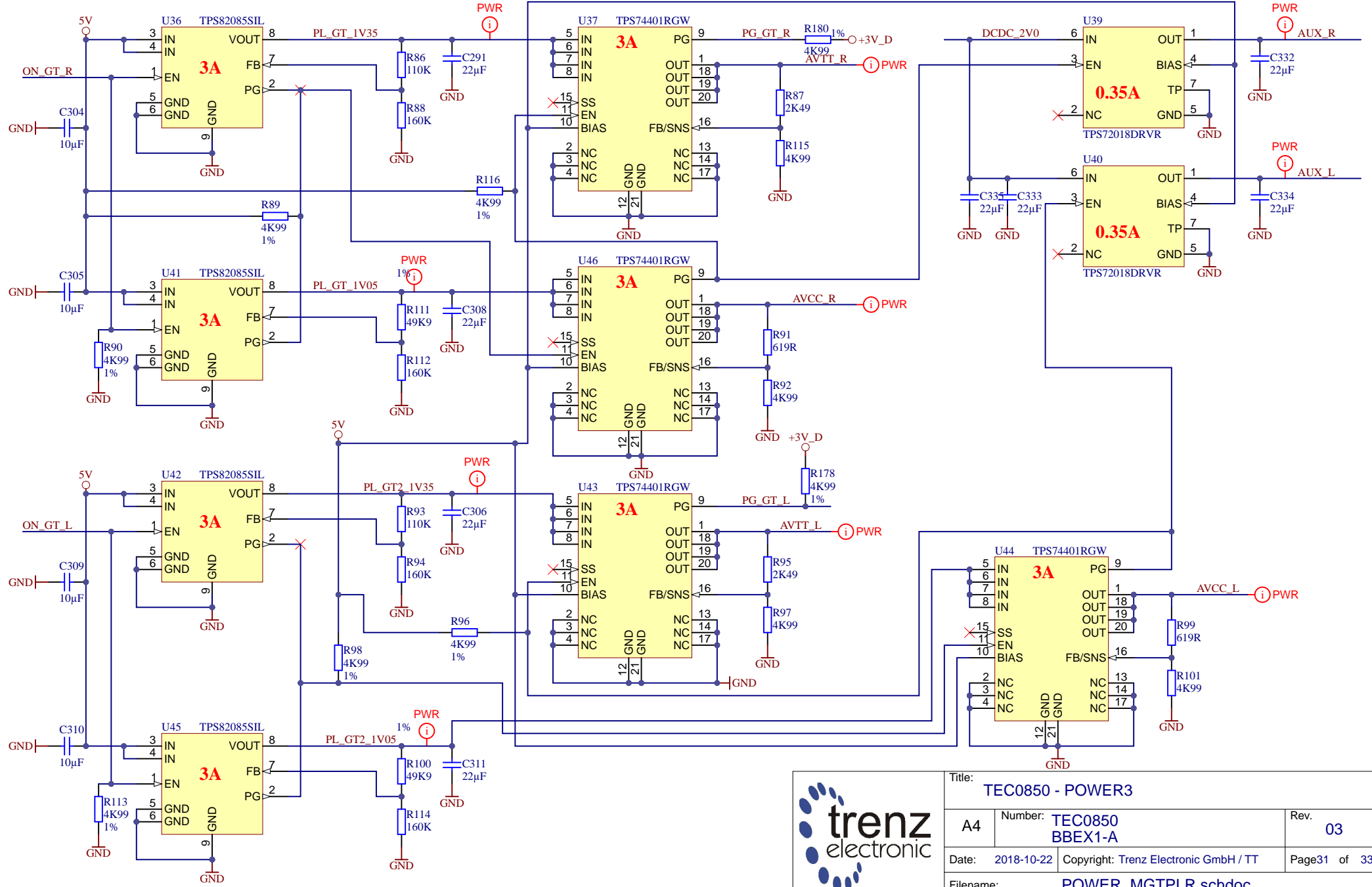
M50-3600342 NOT CHECKED!!!



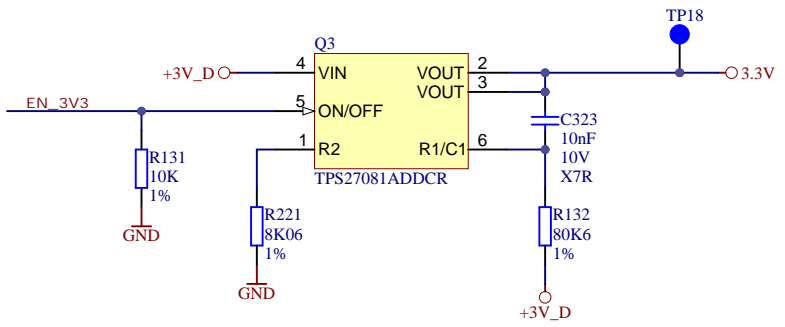
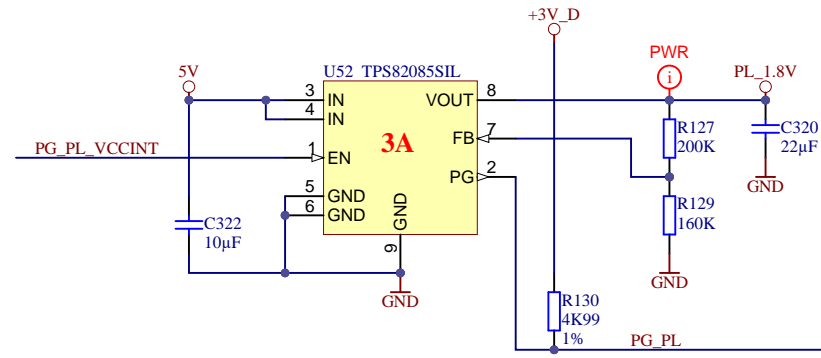
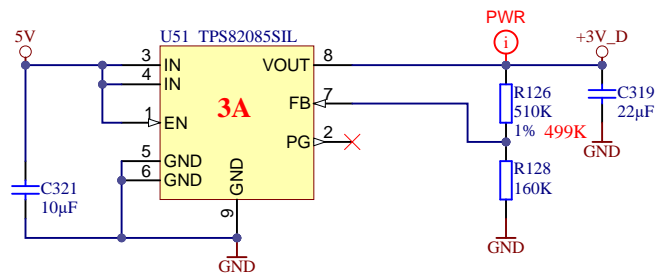
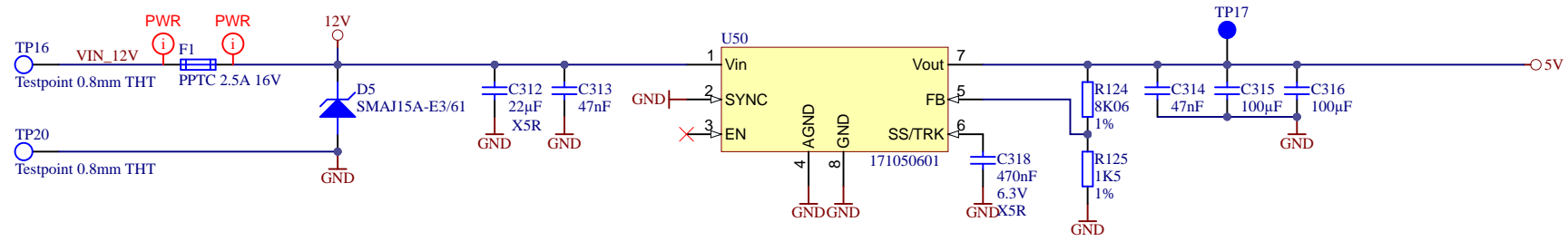
			Title: TEC0850 - POWER1	
			A4	Number: TEC0850 BBEX1-A
Date: 2018-10-22		Copyright: Trenz Electronic GmbH / TT		Page 29 of 33
Filename: POWER_PSLP.schdoc				




Title: TEC0850 - POWER2		
A4	Number: TEC0850 BBEX1-A	Rev. 03
Date: 2018-10-22	Copyright: Trenz Electronic GmbH / TT	Page 30 of 33
Filename: POWER_PSFP.schdoc		



Title: TEC0850 - POWER3		
A4	Number: TEC0850 BBEX1-A	Rev. 03
Date: 2018-10-22	Copyright: Trenz Electronic GmbH / TT	
Page 31 of 33		Page 31 of 33
Filename: POWER_MGTPLR.schdoc		



	Title: TEC0850 - POWER4		
	A4	Number: TEC0850 BBEX1-A	Rev. 03
	Date: 2018-10-22	Copyright: Trenz Electronic GmbH / TT	Page 32 of 33
	Filename: POWER_MGTPLL.schdoc		

CHANGES REV01 to REV02

- 1) Fixed connection for U16 (Si53340-B-GM)
- 2) Added THT-testpoints for I2C-bus
- 3) Changed MEMS osc to TCXO osc , added LDO for TCXO osc
- 4) Use out9 from PLL, added dual output buffer ("1" -> MPSOC, B65; "2" -> J1, cPCI-serial)
- 5) Changed connector J12 (do not populated)
- 6) Added capacitors C372, C373 on the clock line (AC-coupling)
- 7) Changed OPs for DACs (LT6200IS6 -> THS4631D)
- 8) Added additional DCDC (+/-5V) for THS4631D
- 9) Added THT-testpoints for VIN/GND
- 10) full update lib

CHANGES REV02 to REV03

- 1) Fixed connection for U74 (LT8471IFE#PBF)
- 2) Added additional resistors R219/R220
- 3) Fixed connection for Y2 (CM2012-2pad)
- 4) Changed U69 (TPS3106E09DBVR -> TPS3106K33DBVR)
- 5) Changed U73 (LTC6957IDD-2#PBF -> Si53340-B-GM)
- 6) Optimized BOM
- 7) full update lib

CHANGES REV03a


- 1) VY: replaced DDR4 SODIMM socket (b030-2604-6021-zhf -> 2309407-1)

CHANGES REV03b (19.08.2020):

- 1) VY: Protection circuit U8 ESD3V3U4ULCE6327XTSA1 replaced by CPDA10R3V3U-HF

CHANGES REV03c (11.2021):

- 1) VT: replaced R71 (incorrect value)
- 2) VT: set EOL component (Track-it™ Traceability Pad) as DNP
- 3) VT: replaced EOL component D1 (LTST-C191KRKT -> 19-213/R6C-AL1M2VY/3T)
- 4) VT: replaced EOL components D2-D3 (LTST-C191KGKT -> 19-213/G6C-BM1N2/DT)
- 5) VT: replaced EOL components L1-L3,L5,L7,L10-L22 (BKP0603HS121-T -> MPZ0603S121HT000)
- 6) VT: replaced EOL components Q1,Q2,T1 (BSH103,215 -> DMN3730U-7)
- 7) VT: replaced EOL components U12 (SiT8008AI-73-XXS-52.000000E -> SiT8008BI-73-XXS-52.000000E)
- 8) VT: replaced EOL components U6 (SiT8008AI-73-XXS-12.000000E -> SiT8008BI-73-XXS-12.000000E)

		Title: TEC0850 - Changes list		
		A4	Number: TEC0850 BBEX1-A	Rev. 03
		Date: 2018-10-22	Copyright: Trenz Electronic GmbH	Page 33 of 33
		Filename: Revision_Changes.SchDoc		