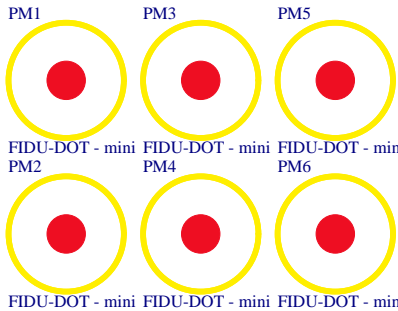


CRUVI
CRUVI.SchDoc



LOGO1

CE Logo on Top Overlay

CE-TOPOVERLAY
LOGO2

UKCA Logo on Top Overlay

UKCA-TOPOVERLAY
LOGO3

TE Address Overlay

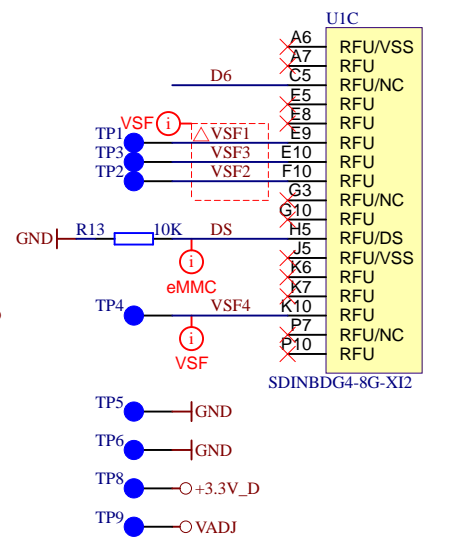
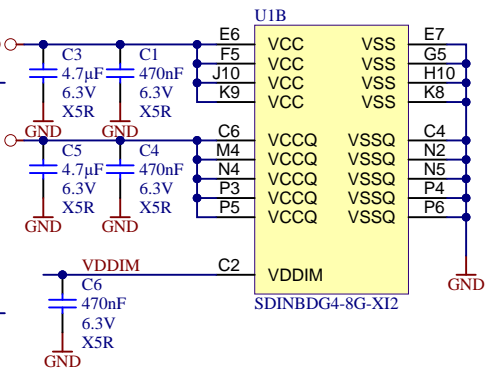
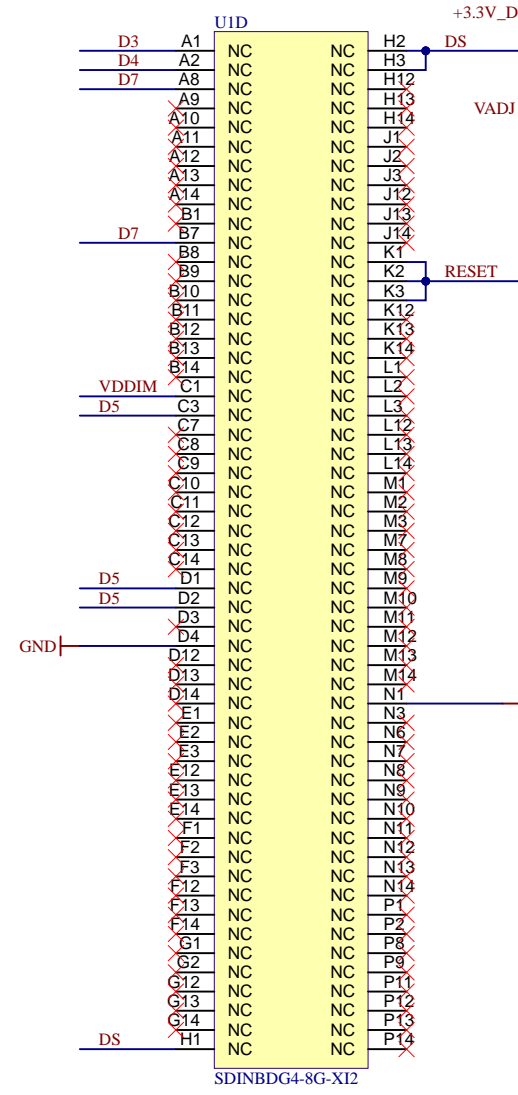
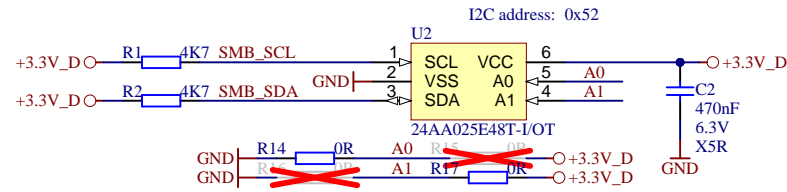
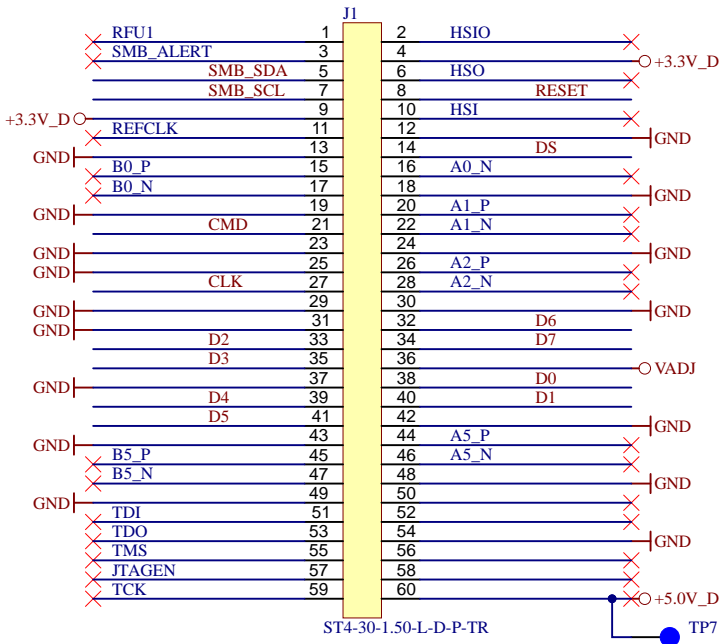
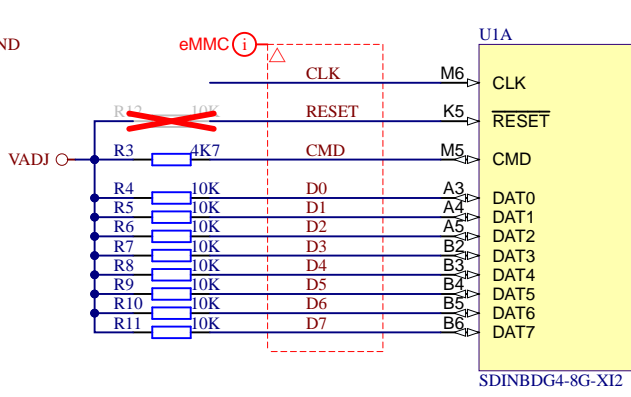
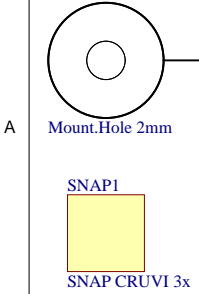
ADDRESS

Serial 1
Serial
Serialnumber 6,3 x 6.3mm



Assembly variant	A08I
Created by	VY
Modified by	VY
Modified at	2023-01-03
SVN Revision	1255

Title: CR00049		
A4	Number: CR00049 A08I	Rev. 01
Date: 03.01.2023	Copyright: Trenz Electronic GmbH	Page 1 of 3
Filename: CR00049.SchDoc		



Assembly variant	A08I
Created by	VY
Modified by	VY
Modified at	2023-01-03
SVN Revision	1255



Title: CR00049 - CRUVI		
A4	Number: CR00049 A08I	Rev. 01
Date: 03.01.2023	Copyright: Trenz Electronic GmbH	Page 2 of 3
Filename: CRUVI.SchDoc		

1

2

3

4

REV	Description	
-01	Initial revision	AL /ED

A

A

B


B

C

C

D

D

			Title: CR00049 - Revision Changes					
			A4	Number: CR00049 A08I		Rev. 01		
			Date: 03.01.2023		Copyright: Trenz Electronic GmbH		Page 3 of 3	
			Filename: Revision Changes.SchDoc					

1

2

3

4