

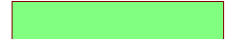
1

2

3

4

U_FPGA
FPGA.SchDoc



U_FPGA_MISC
FPGA_MISC.SchDoc



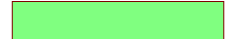
U_Flash_RAM
Flash_RAM.SchDoc



U_PowerSupply
PowerSupply.SchDoc



U_FTDI
FTDI.SchDoc



U_Connectors
Connectors.SchDoc



Serial
Serialnumber 6,3 x 6.3mm



LOGO1

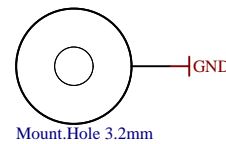
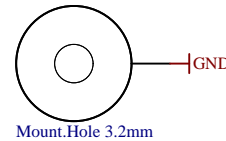


LOGO PRINT

MECH5



LOGO ADDRESS



FIDU-DOT - mini



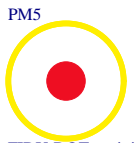
FIDU-DOT - mini



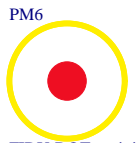
FIDU-DOT - mini



FIDU-DOT - mini



FIDU-DOT - mini



FIDU-DOT - mini

Assembly variant	DBC82A
Created by	MR
Modified by	MR
Modified at	2021-01-08
SVN Revision	871

Title: CRUVI - Connectors		
A4	Number: CR00100 DBC82A	Rev. 01
Date: 28.01.2021	Copyright: MicroFPGA UG	Page 1 of 7
Drawn by: AL/VT	Filename: CR00100.SchDoc	

1

2

3

4

A

A

B

B

C

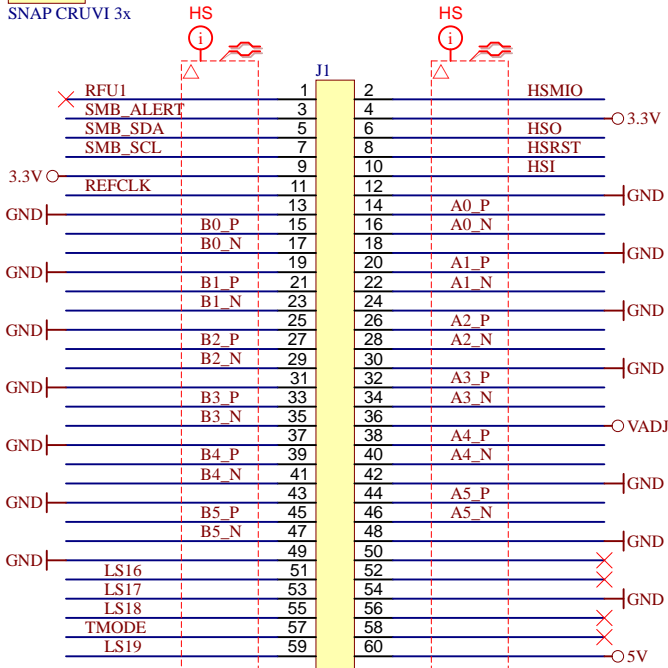
C

D

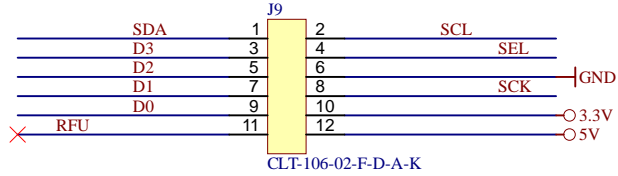
D

SNAP3

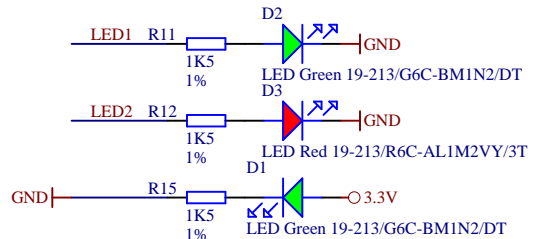
SNAP CRUV1 3x



SS4-30-3.50-L-D-K-TR



CLT-106-02-F-D-A-K



Screw M2x6



Steel Spacer M2 5mm SMD



Screw M2x6



Steel Spacer M2 5mm SMD



Screw M2x6



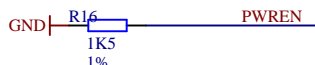
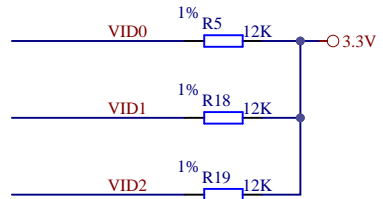
Steel Spacer M2 5mm SMD



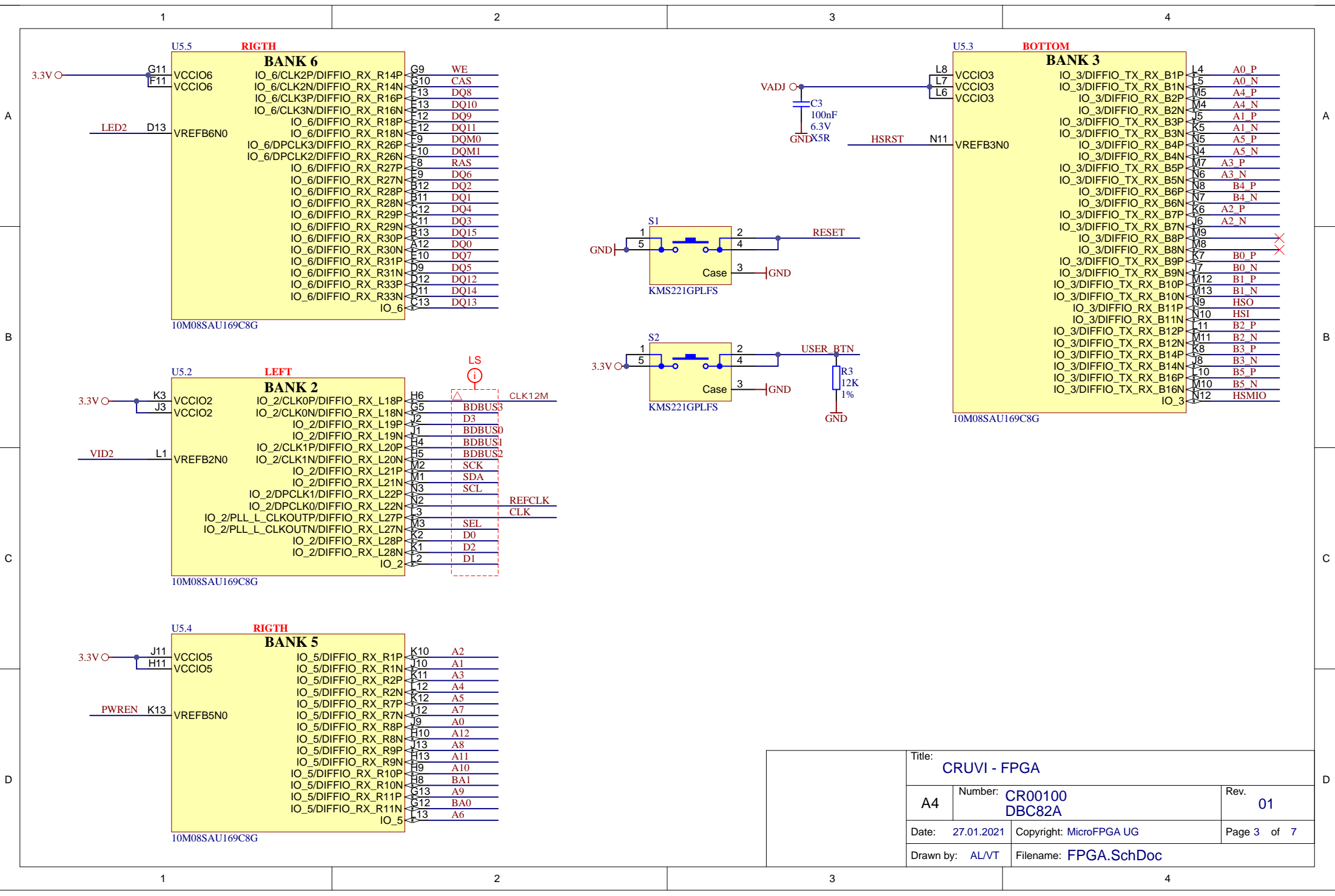
Screw M2x6



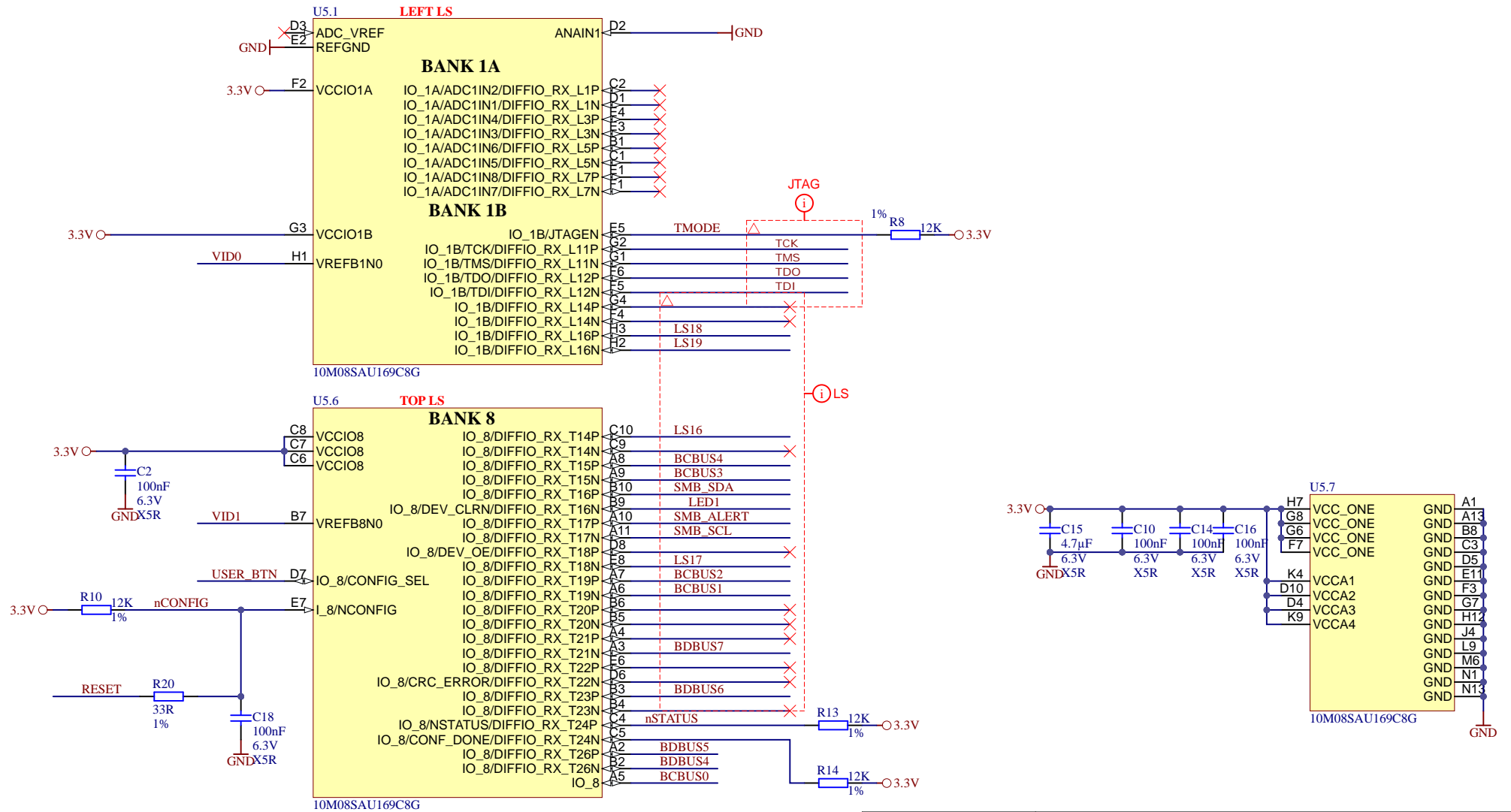
Steel Spacer M2 5mm SMD



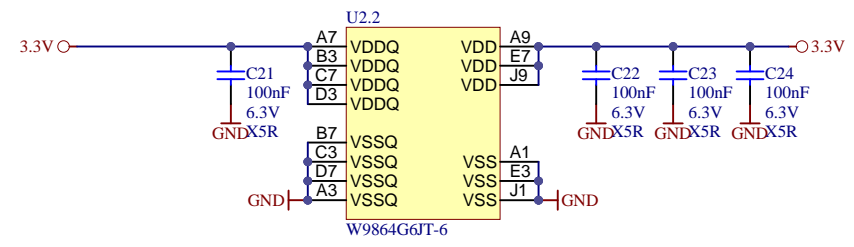
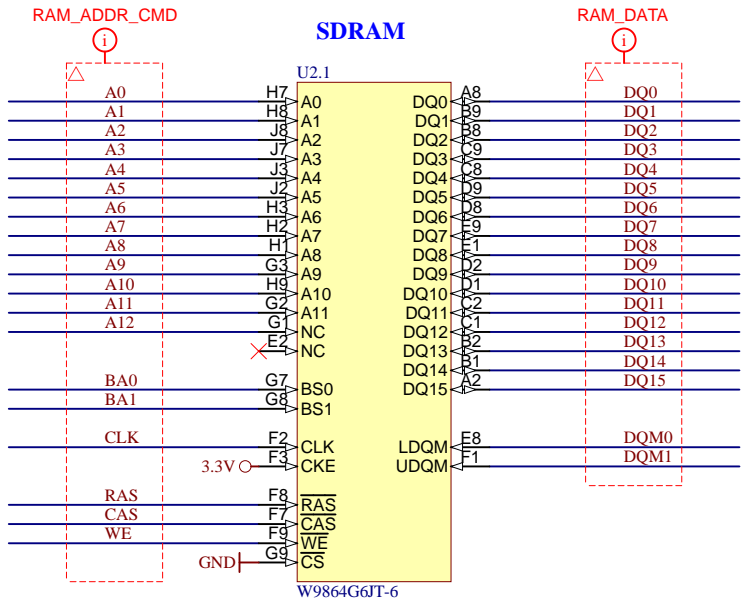
Title: CRUV1		
A4	Number: CR00100 DBC82A	Rev. 01
Date: 27.01.2021	Copyright: MicroFPGA UG	Page 2 of 7
Drawn by: AL/VT	Filename: Connectors.SchDoc	



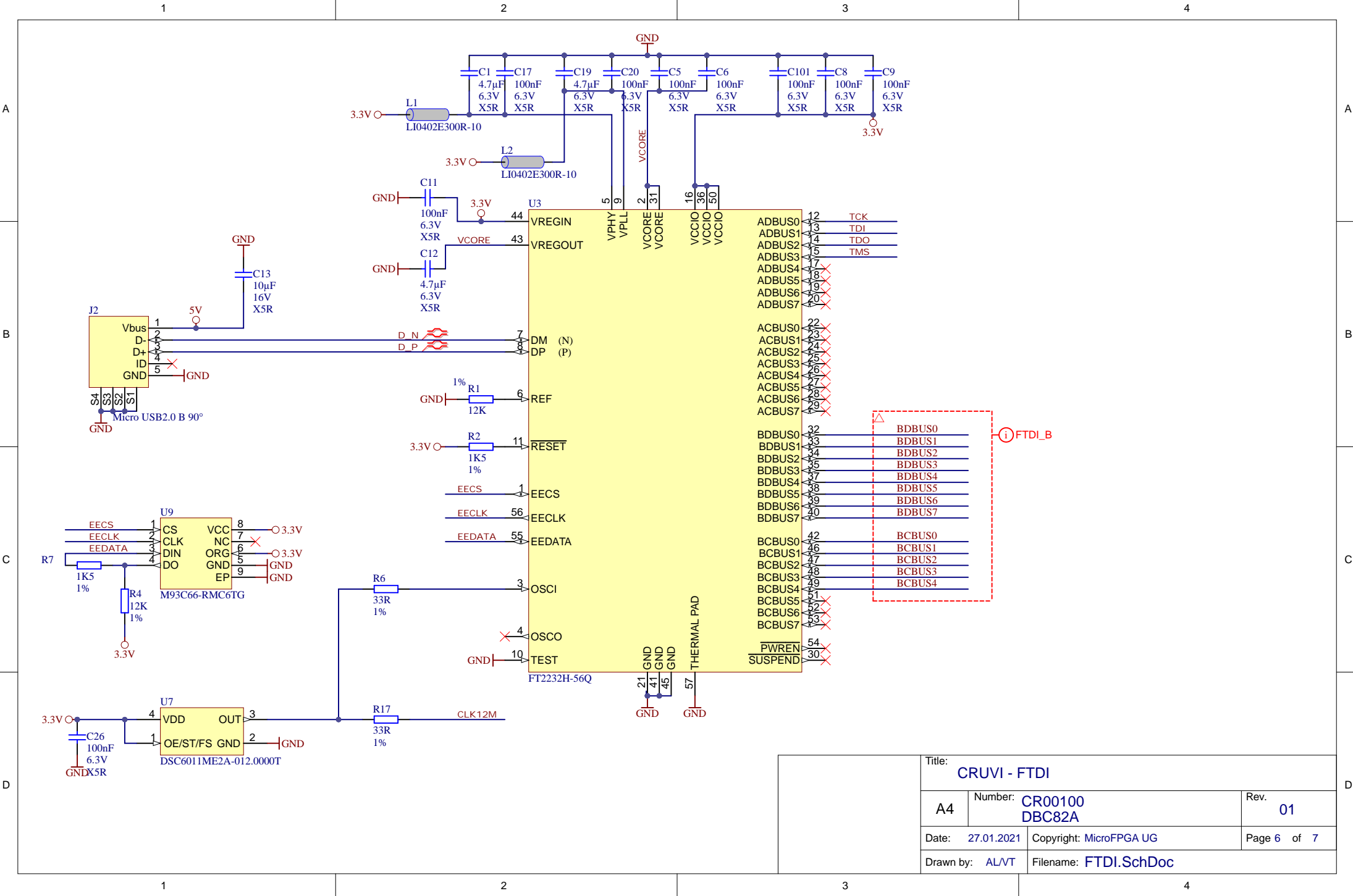
Title: CRUVI - FPGA		
A4	Number: CR00100 DBC82A	Rev. 01
Date: 27.01.2021	Copyright: MicroFPGA UG	Page 3 of 7
Drawn by: AL/VT	Filename: FPGA.SchDoc	



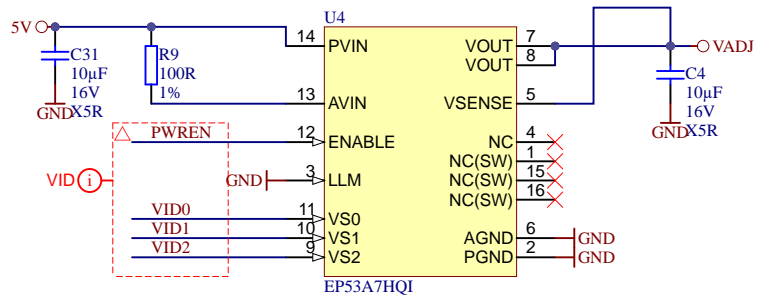
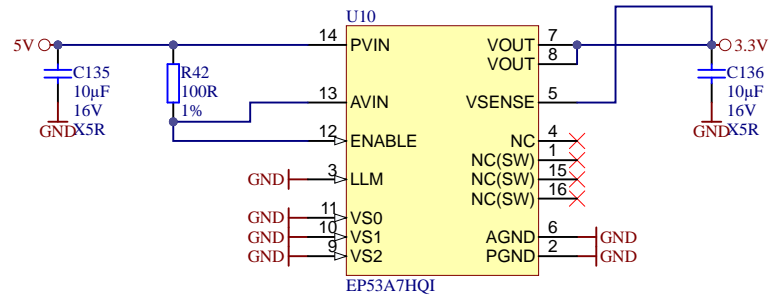
Title: CRUVI - FPGA_MISC		
A4	Number: CR00100 DBC82A	Rev. 01
Date: 27.01.2021	Copyright: MicroFPGA UG	Page 4 of 7
Drawn by: AL/VT	Filename: FPGA_MISC.SchDoc	



Title: CRUVI - Flash_RAM		
A4	Number: CR00100 DBC82A	Rev. 01
Date: 27.01.2021	Copyright: MicroFPGA UG	Page 5 of 7
Drawn by: AL/VT	Filename: Flash_RAM.SchDoc	



Title: CRUVI - FTDI		
A4	Number: CR00100 DBC82A	Rev. 01
Date: 27.01.2021	Copyright: MicroFPGA UG	Page 6 of 7
Drawn by: AL/VT	Filename: FTDI.SchDoc	



VS2	VS1	VS0	VOUT
0	0	0	3.3
0	0	1	3.0
0	1	0	2.9
0	1	1	2.6
1	0	0	2.5
1	0	1	2.2
1	1	0	2.1
1	1	1	1.8

Title: CRUVI - PWR

A4	Number: CR00100 DBC82A	Rev. 01
Date: 27.01.2021	Copyright: MicroFPGA UG	Page 7 of 7
Drawn by: AL/VT	Filename: PowerSupply_SchDoc	