

U\_FMC  
FMC.SchDoc

U\_crui  
crui.SchDoc

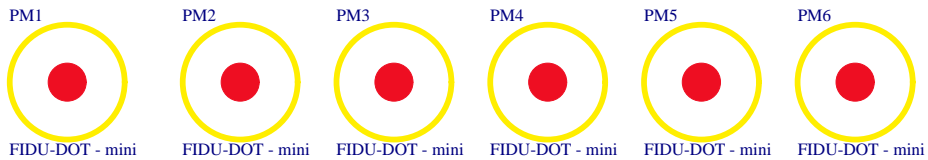
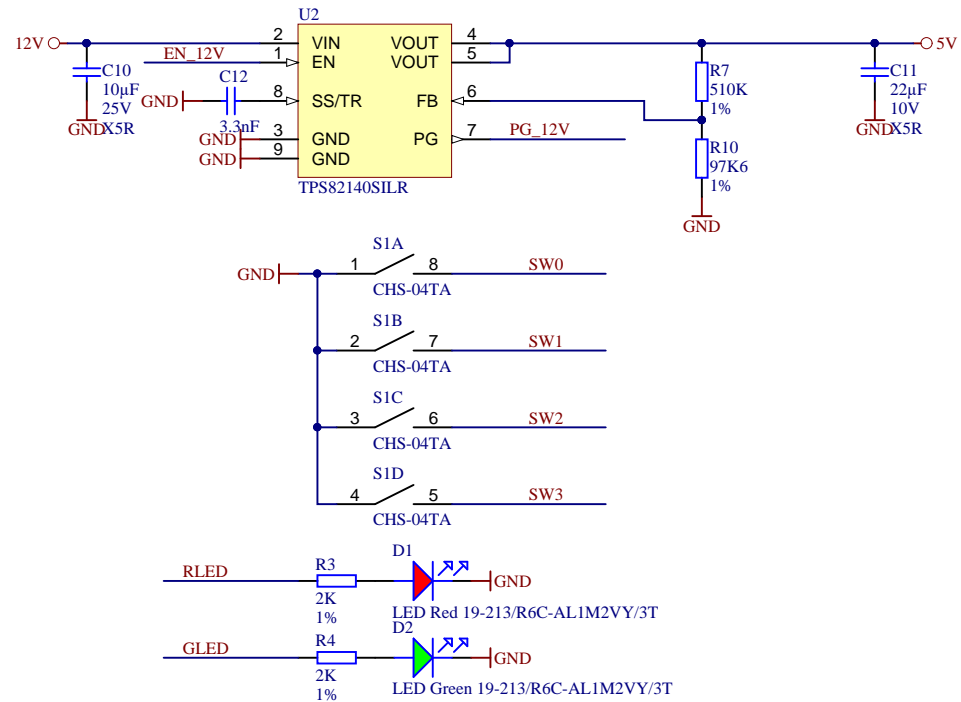
U\_FPGA\_MISC  
FPGA\_MISC.SchDoc

U\_FPGA  
FPGA.SchDoc

LOGO1  
TE Logo PRINT Layer

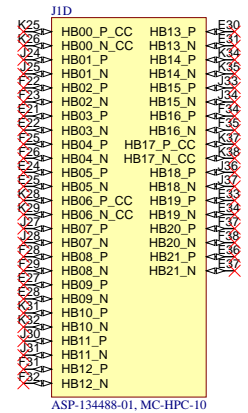
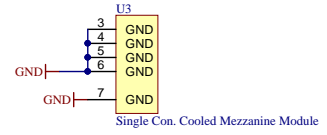
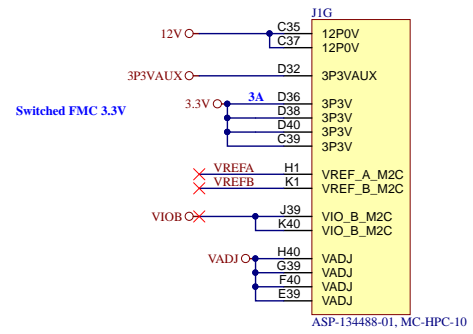
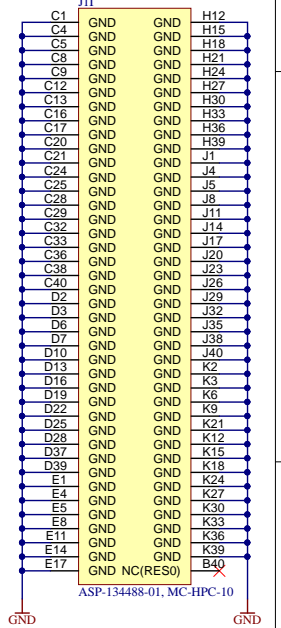
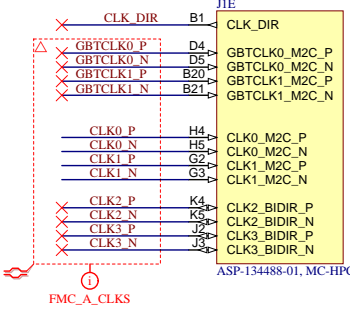
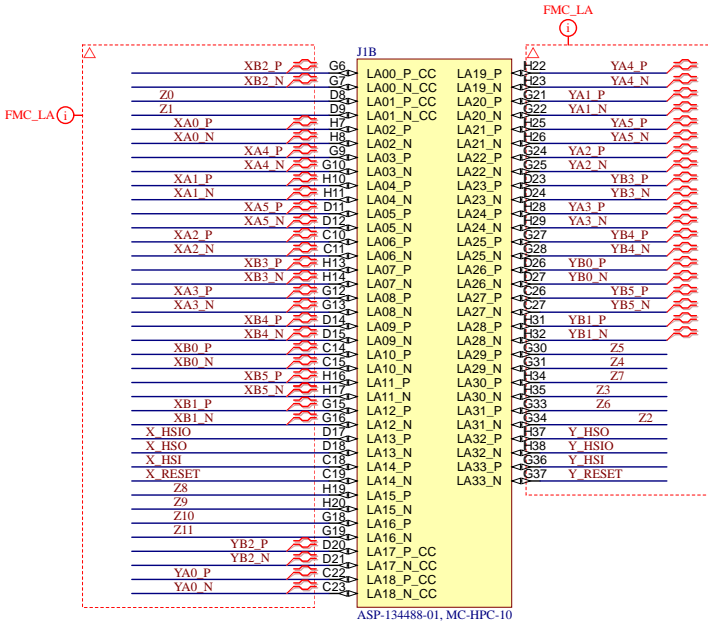
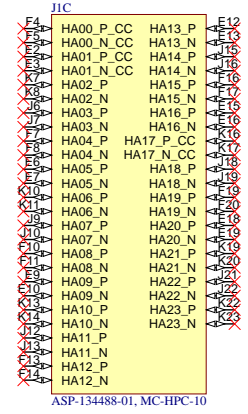
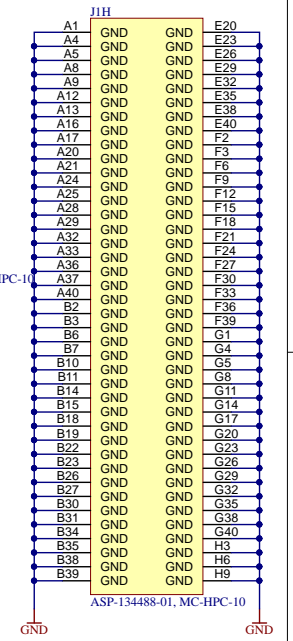
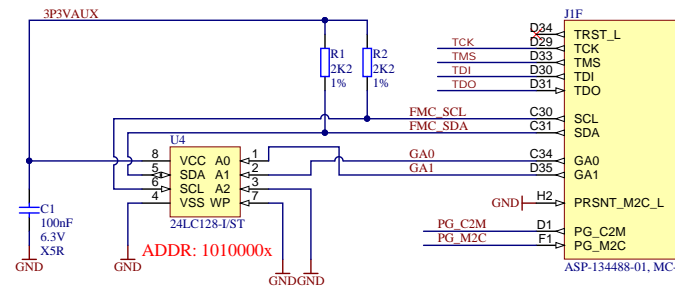
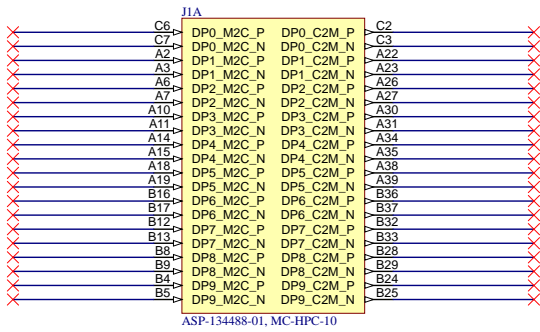
LOGO PRINT

Serial  
Serialnumber 6,3 x 6,3mm



Assembly variant	[No Variations]
Created by	VariantCreatedBy
Modified by	VariantModifiedBy
Modified at	VariantDateModification
SVN Revision	744

Title: CRUVI - CR00101		
A4	Number: CR00101 [No Variations]	Rev. 01
Date: 08.04.2020	Copyright: MicroFPGA UG	Page 1 of 5
Drawn by: AL/VT	Filename: CR00101.SchDoc	



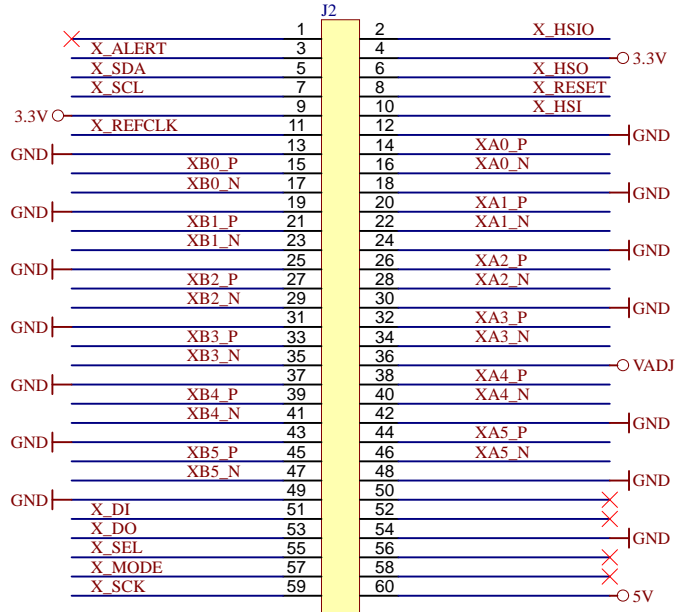
Title: CRUVI - FMC		
A4	Number: CR00101 [No Variations]	Rev. 01
Date: 02.04.2020	Copyright: MicroPGA UG	Page 2 of 5
Drawn by: ALVT	Filename: FMC.SchDoc	

1

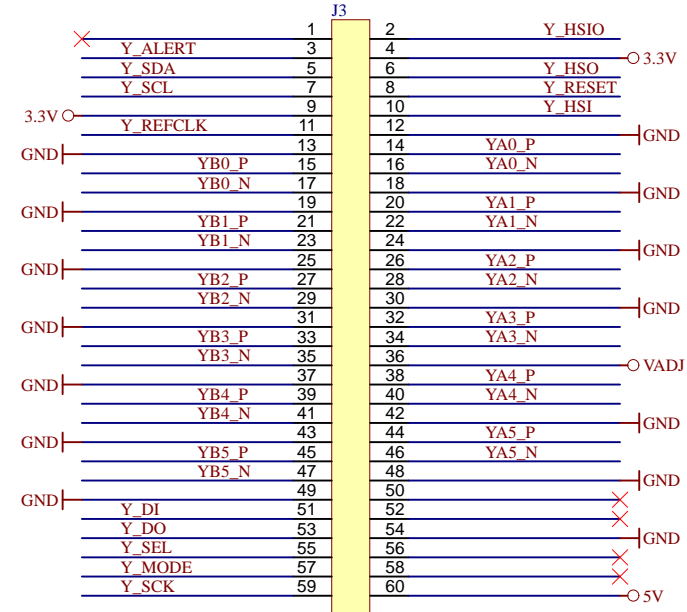
2

3

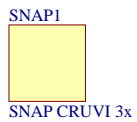
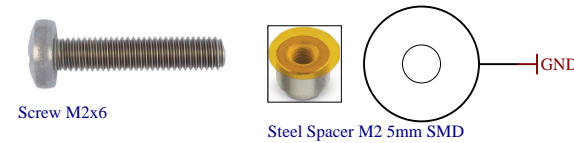
4



SS4-30-3.50-L-D-K-TR



SS4-30-3.50-L-D-K-TR



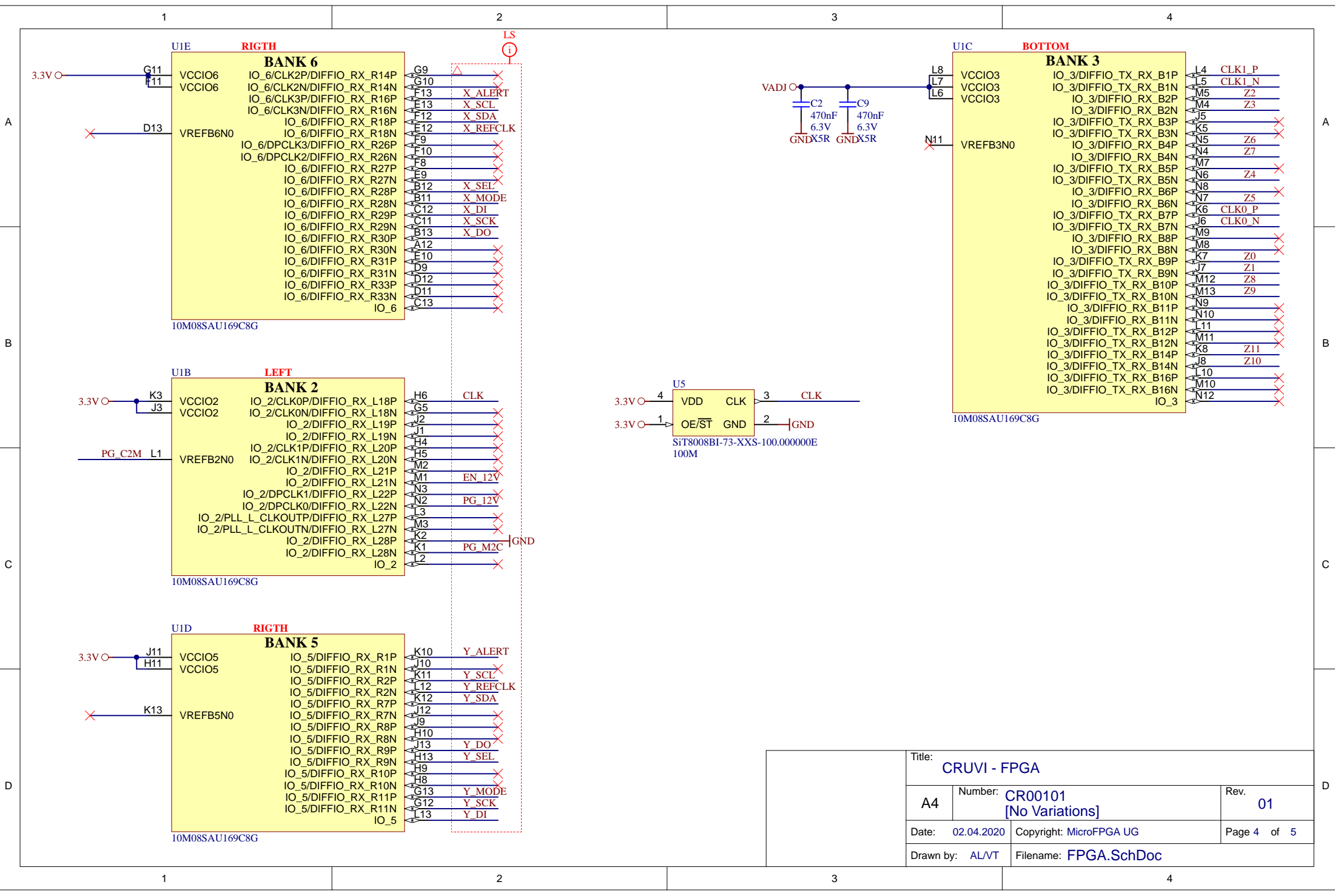
Title: CRUVI		
A4	Number: CR00101 [No Variations]	Rev. 01
Date: 02.04.2020	Copyright: MicroFPGA UG	Page 3 of 5
Drawn by: AL/VT	Filename: cruvi.SchDoc	

1

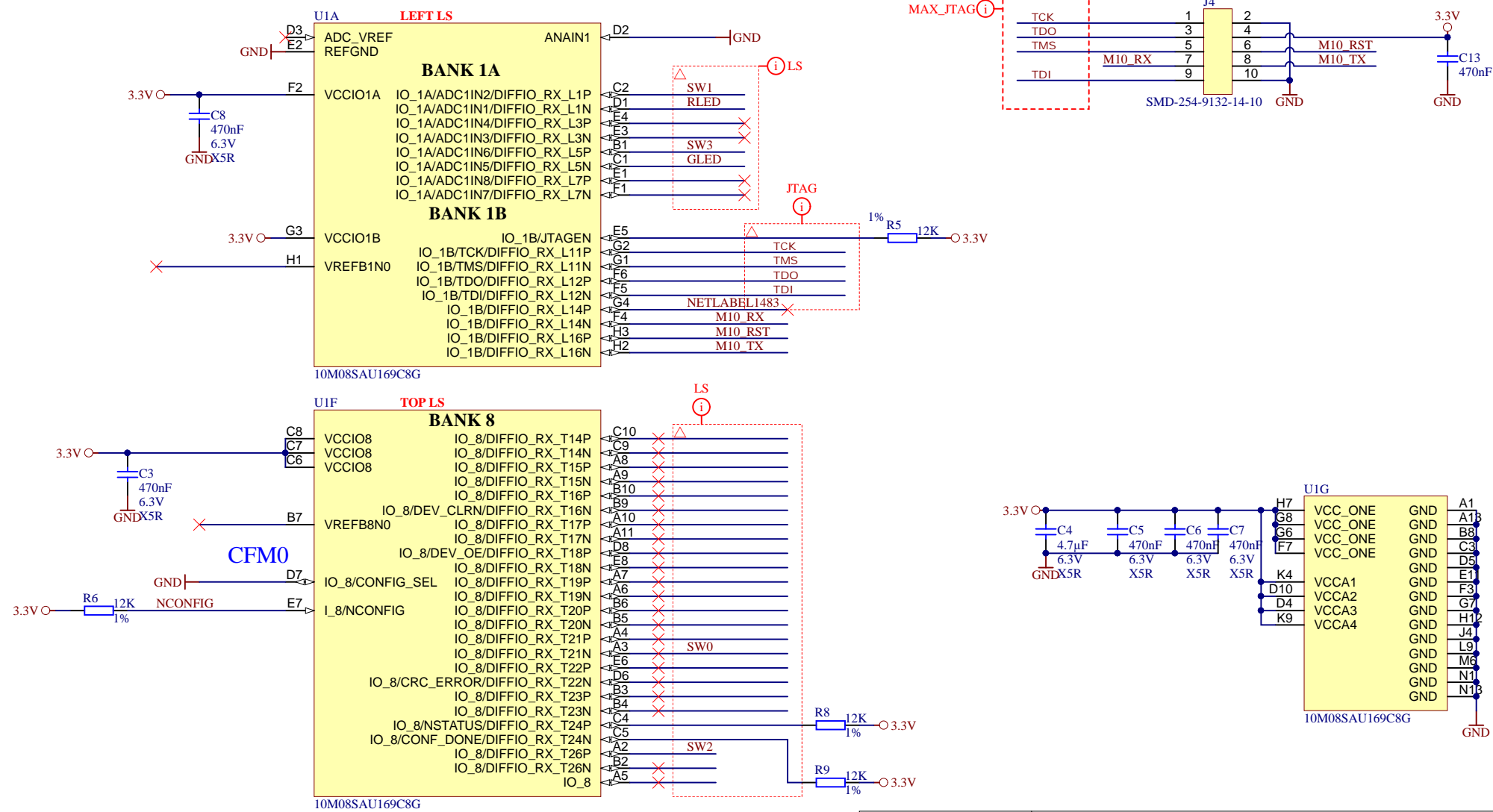
2

3

4



Title: <b>CRUVI - FPGA</b>		
A4	Number: <b>CR00101</b> [No Variations]	Rev. <b>01</b>
Date: 02.04.2020	Copyright: MicroFPGA UG	Page 4 of 5
Drawn by: AL/VT	Filename: FPGA.SchDoc	



Title: CRUVI - FPGA_MISC		
A4	Number: CR00101 [No Variations]	Rev. 01
Date: 02.04.2020	Copyright: MicroFPGA UG	Page 5 of 5
Drawn by: AL/VT	Filename: FPGA_MISC.SchDoc	