

U_FMC
FMC.SchDoc

U_crui
crui.SchDoc

U_FPGA_MISC
FPGA_MISC.SchDoc

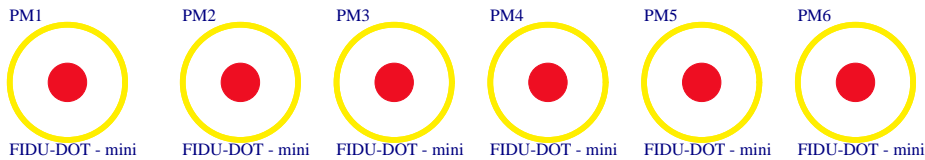
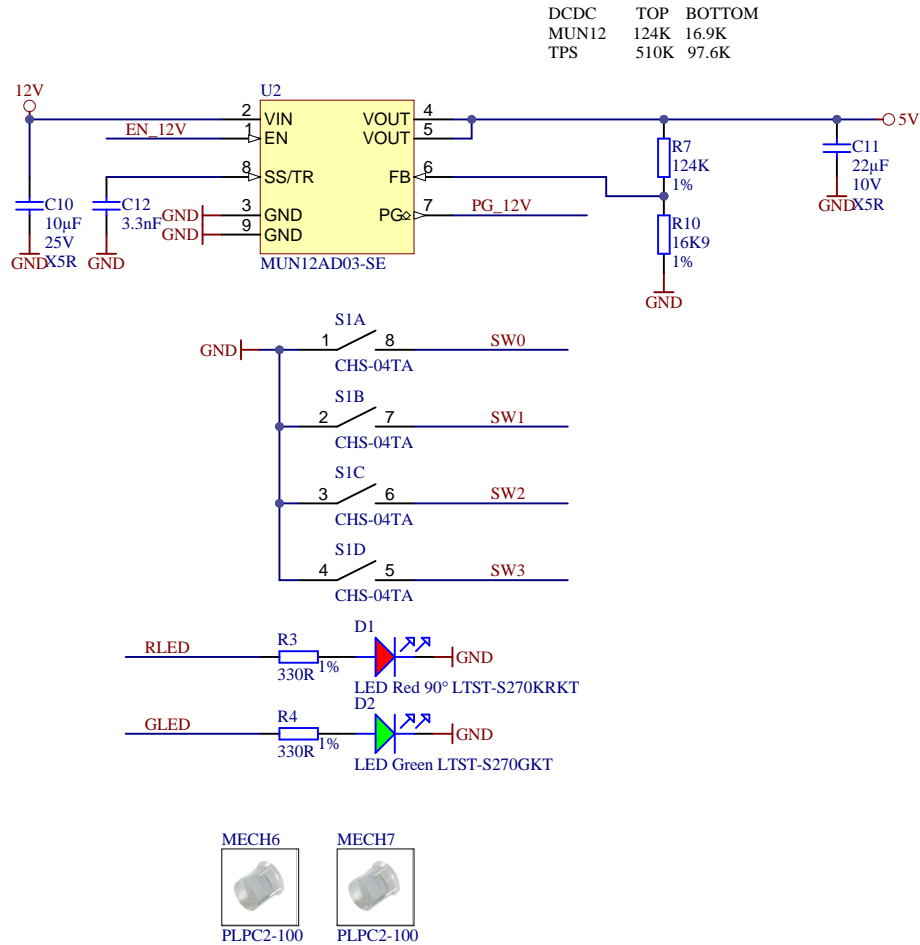
U_FPGA
FPGA.SchDoc

LOGO1
TE Logo PRINT Layer
LOGO PRINT

Serial
Serialnumber 6,3 x 6.3mm

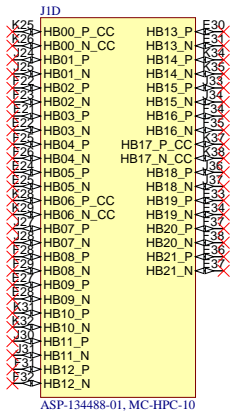
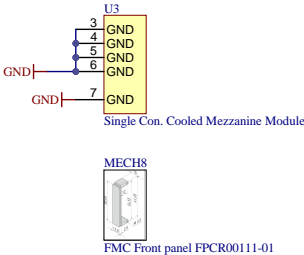
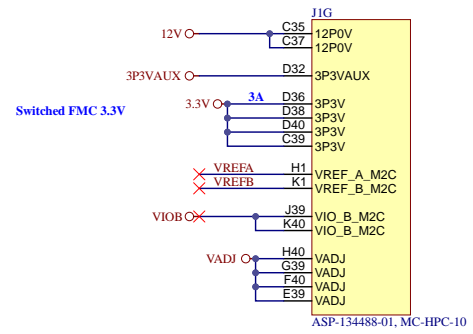
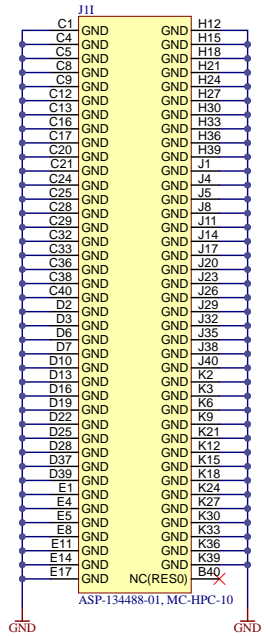
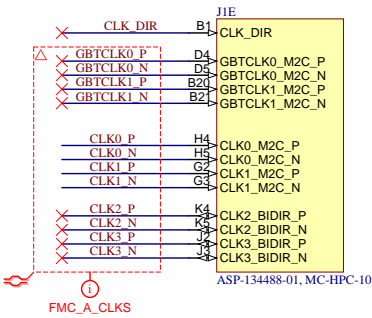
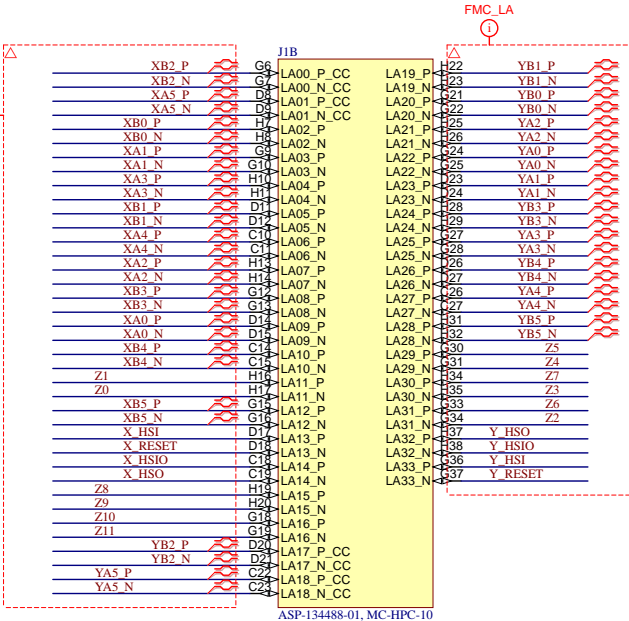
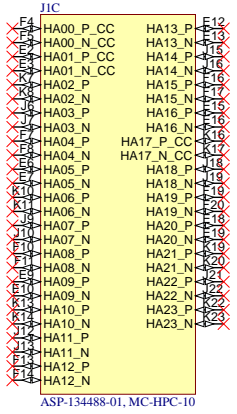
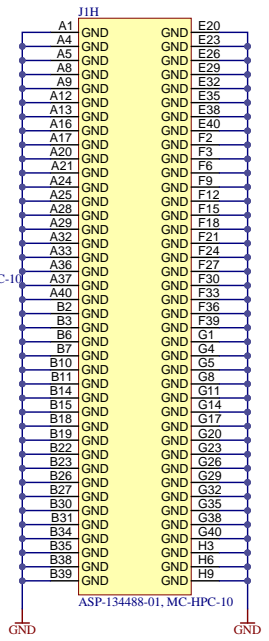
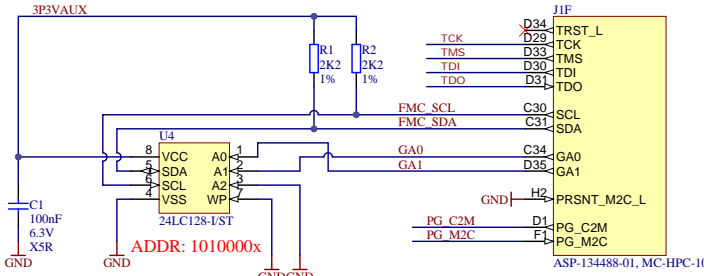
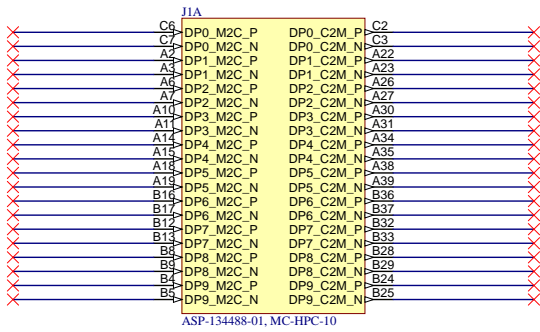
CE
CE-TOPOVERLAY
UKCA
UKCA Logo on Top Overlay

MECH5
TE Address Overlay
LOGO ADDRESS

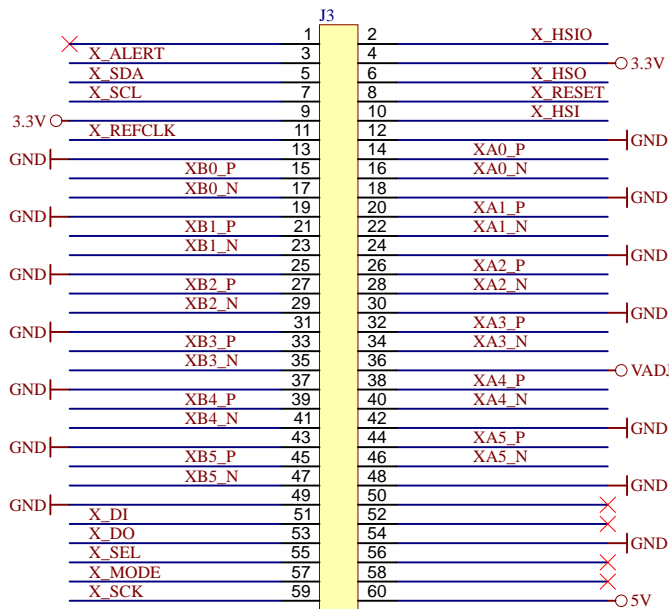


Assembly variant	default
Created by	VT
Modified by	VT
Modified at	2022-05-19
SVN Revision	1187

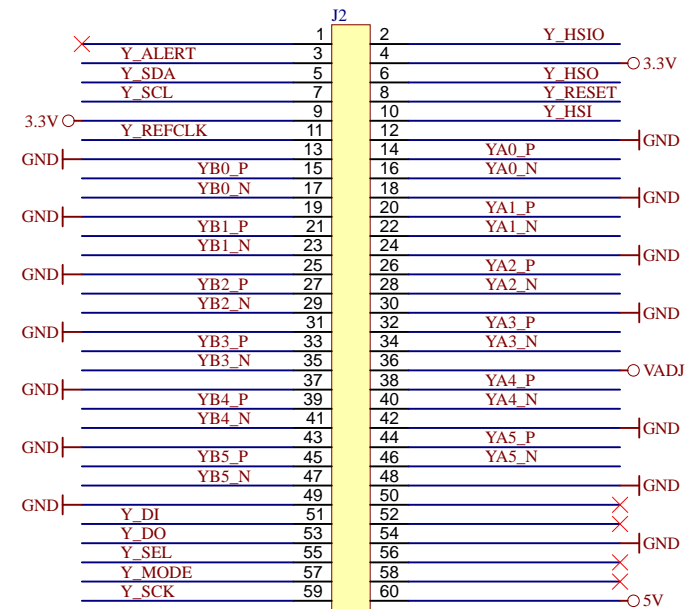
Title: CRUUI - CR00111		
Design licensed from MicroFPGA UG(h)		
A4	Number: CR00111 default	Rev. 01
Date: 2022-05-20	Copyright: MicroFPGA UG	Page 1 of 6
Drawn by: AL/VT	Filename: CR00111.SchDoc	



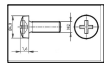
Title: CRUVI - FMC			
Design licensed from MicroFPGA UG(h)			
A4	Number: CR00111 default	Rev. 01	
Date: 2022-05-20	Copyright: MicroFPGA UG	Page 2 of 6	
Drawn by: ALVT	Filename: FMC.SchDoc		



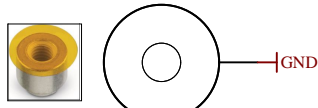
SS4-30-3.50-L-D-K-TR



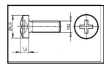
SS4-30-3.50-L-D-K-TR



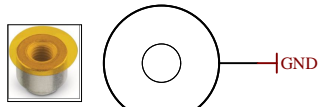
Screw M2x6



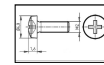
Steel Spacer M2 5mm SMD



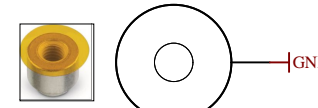
Screw M2x6



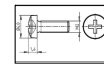
Steel Spacer M2 5mm SMD



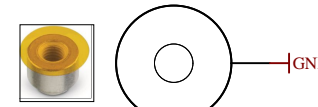
Screw M2x6



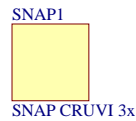
Steel Spacer M2 5mm SMD



Screw M2x6

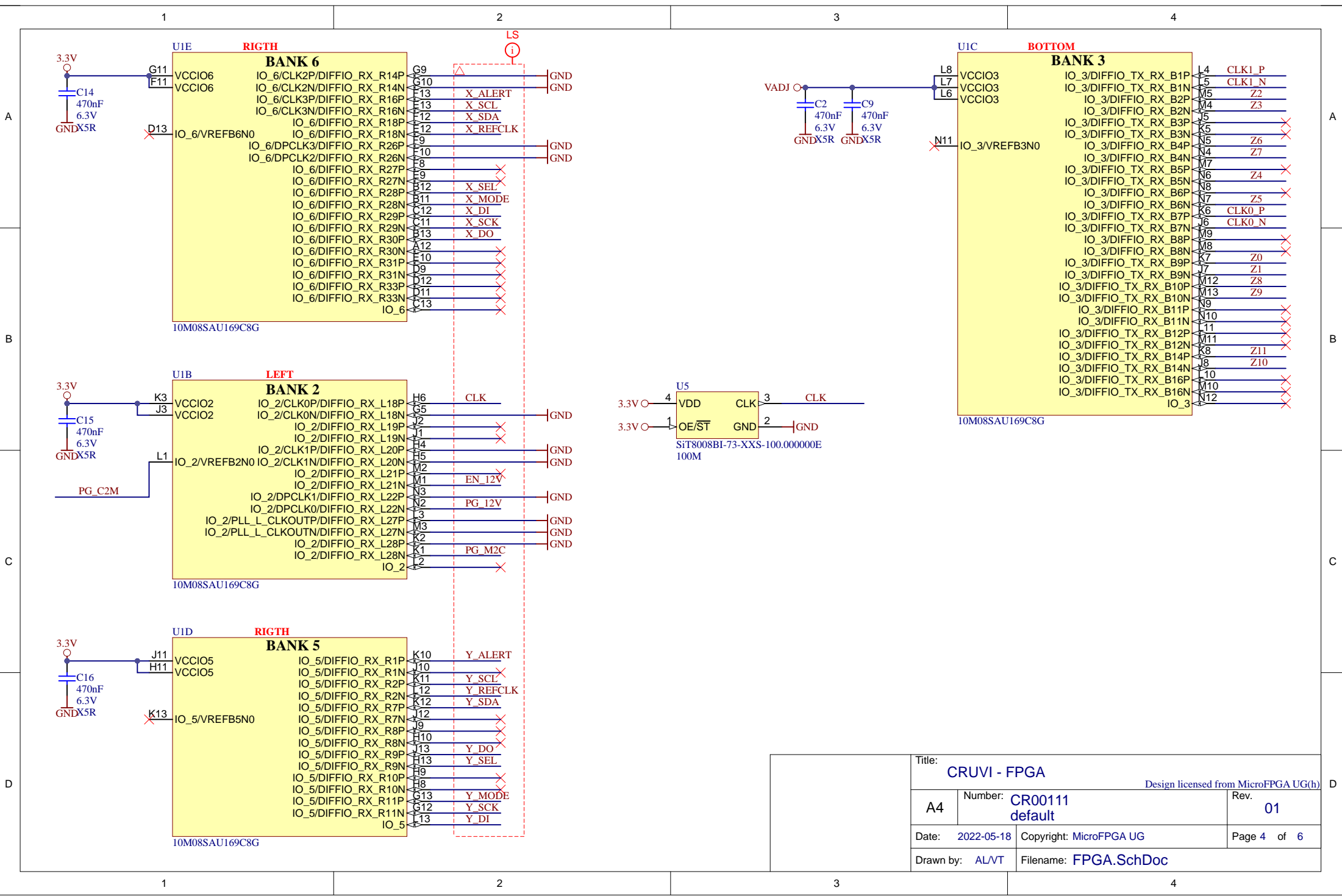


Steel Spacer M2 5mm SMD

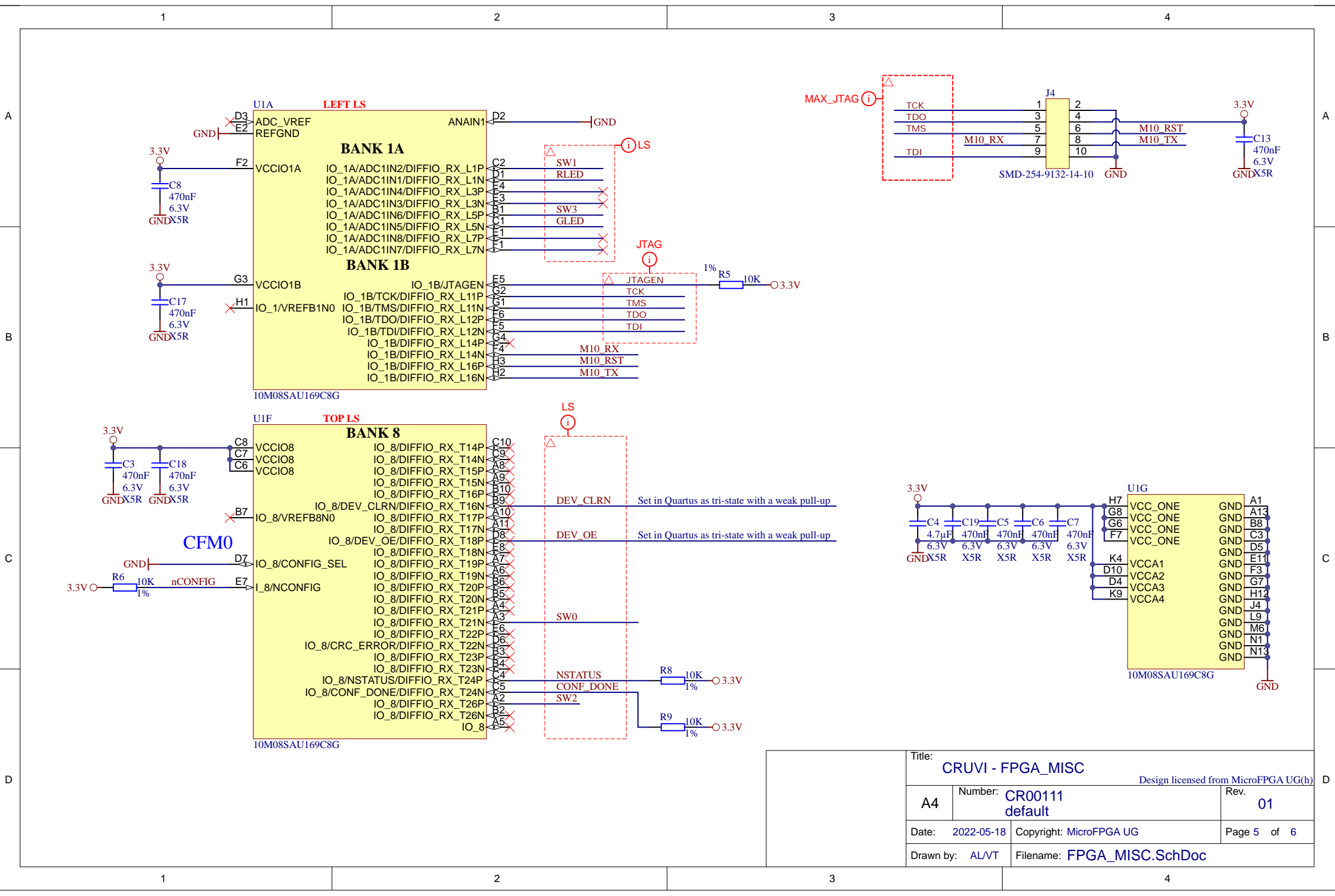


SNAP CRUVI 3x

Title: CRUVI			Design licensed from MicroFPGA UG(h)		
A4	Number: CR00111 default		Rev. 01		
Date:	2022-05-18	Copyright: MicroFPGA UG	Page 3 of 6		
Drawn by:	AL/VT	Filename: cruvi.SchDoc			



Title: CRUVI - FPGA			Design licensed from MicroFPGA UG(h)		
A4	Number: CR00111 default			Rev. 01	
Date: 2022-05-18	Copyright: MicroFPGA UG			Page 4 of 6	
Drawn by: AL/VT	Filename: FPGA.SchDoc				



Title: CRUVI - FPGA_MISC		
Design licensed from MicroFPGA UG(h)		
A4	Number: CR00111 default	Rev. 01
Date: 2022-05-18	Copyright: MicroFPGA UG	Page 5 of 6
Drawn by: AL/VT	Filename: FPGA_MISC.SchDoc	

1

2

3

4

A

A

REV	Description	
-01	Initial revision	AL/VT

B

B

C

C

D

D

Title: CRUVI - Revision History			Design licensed from MicroFPGA UG(h)
A4	Number: CR00111 default	Rev. 01	
Date: 2022-05-18	Copyright: MicroFPGA UG	Page 6 of 6	
Filename: Revision Changes.SchDoc			

1

2

3

4