

CRUVI
CRUVI.SchDoc



LOGO1

TE Logo PRINT Layer

LOGO PRINT

CE

CE Logo on Top Overlay

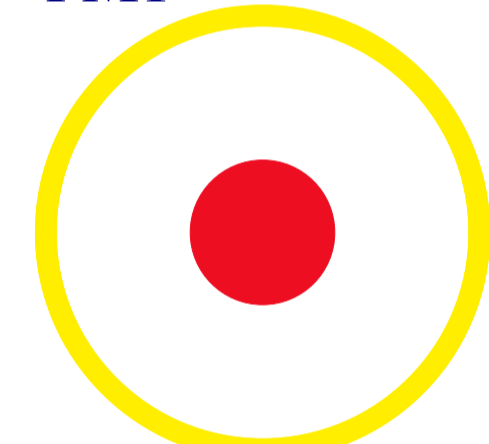
CE-TOPOVERLAY

UKCA

UKCA Logo on Top Overlay

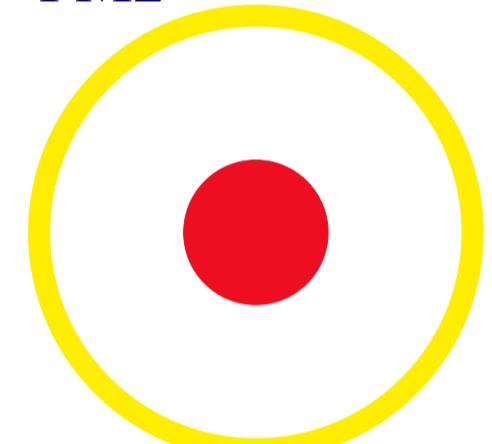
UKCA-TOPOVERLAY

PM1



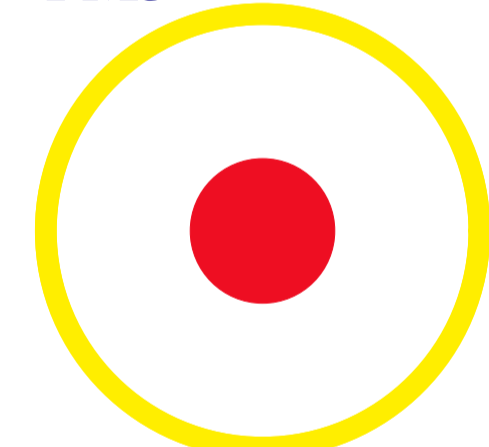
FIDU-DOT - mini

PM2



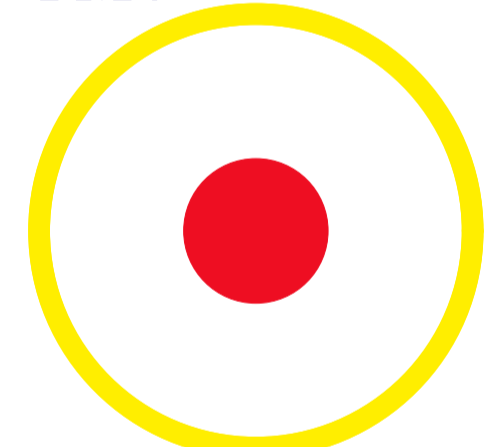
FIDU-DOT - mini

PM3



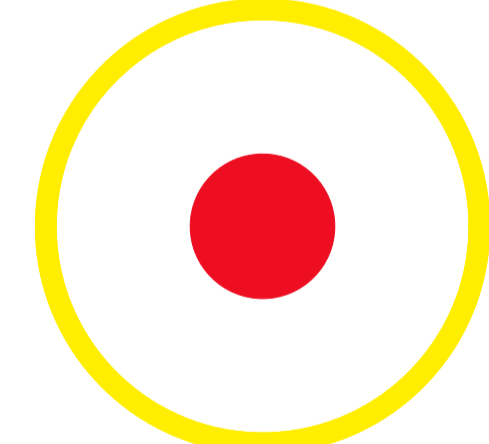
FIDU-DOT - mini

PM4



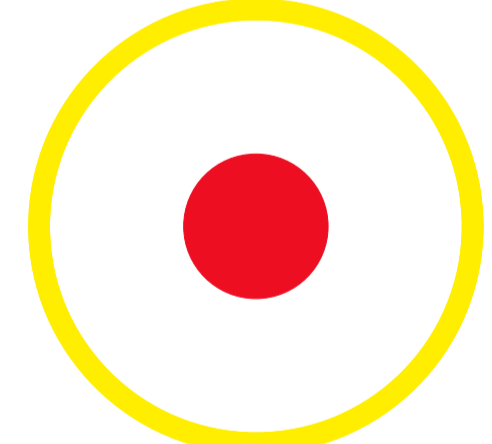
FIDU-DOT - mini

PM5



FIDU-DOT - mini

PM6



FIDU-DOT - mini

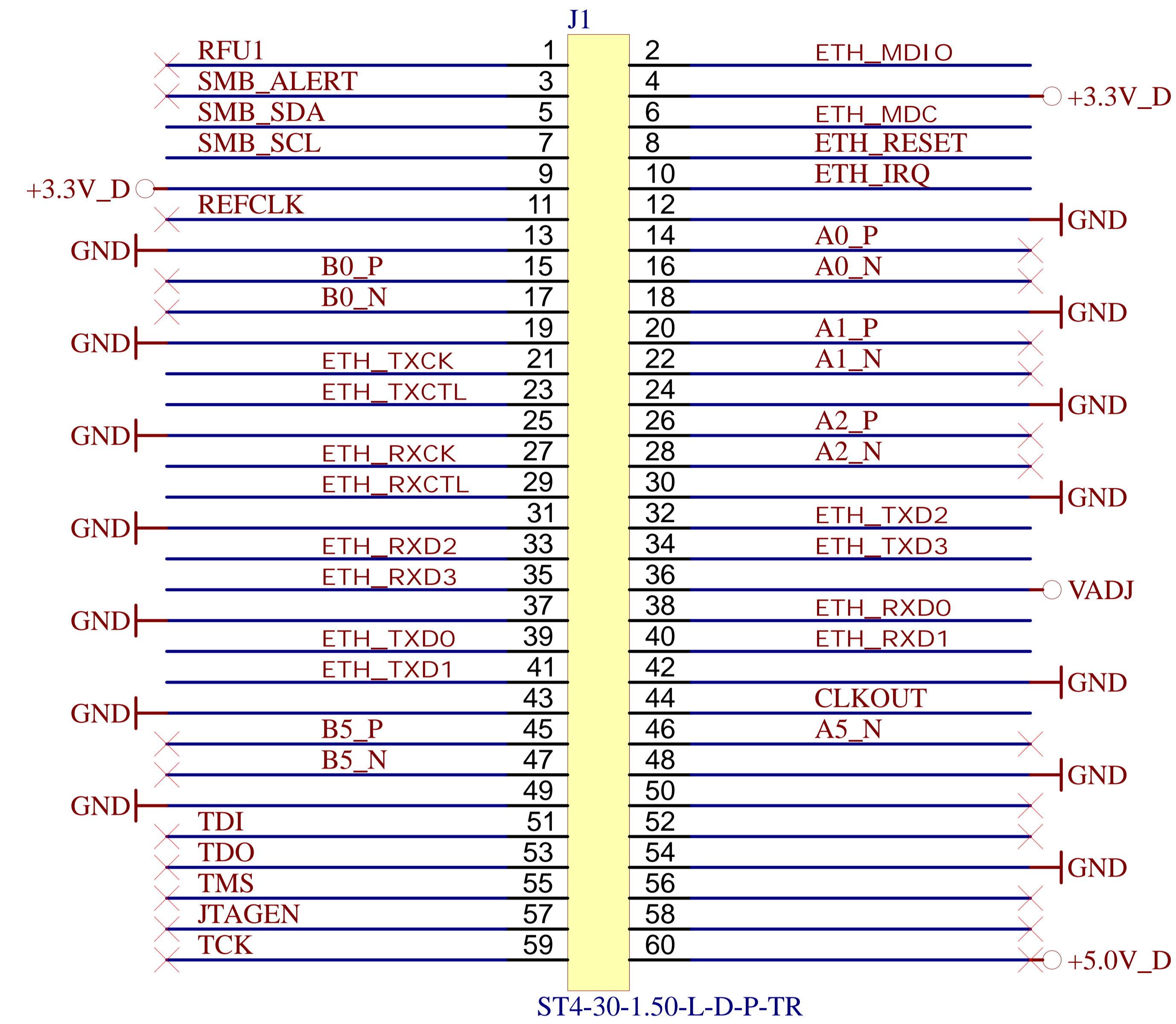
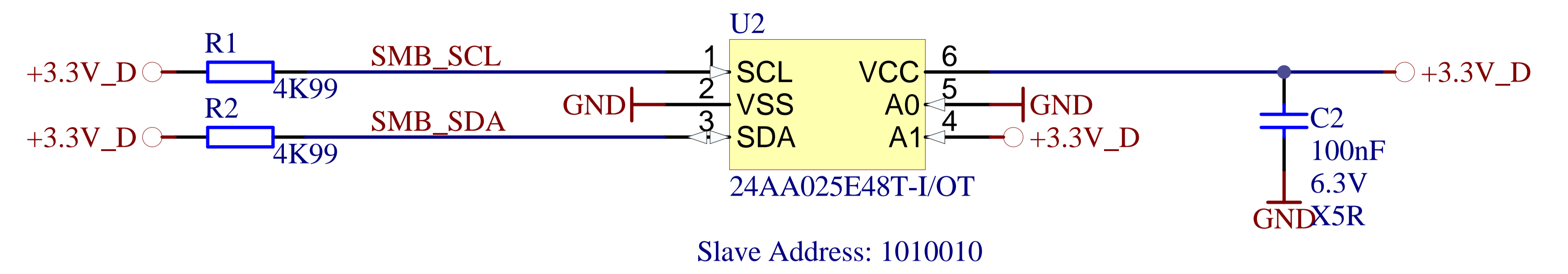
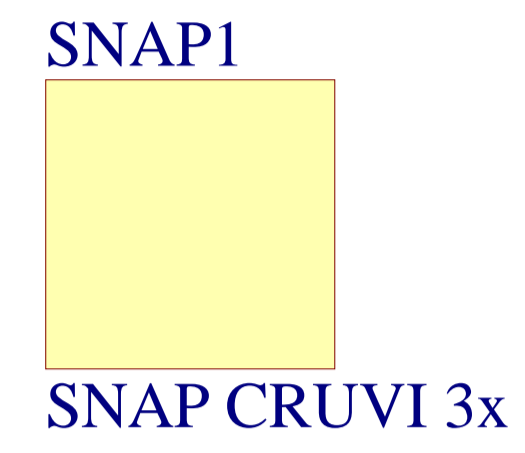
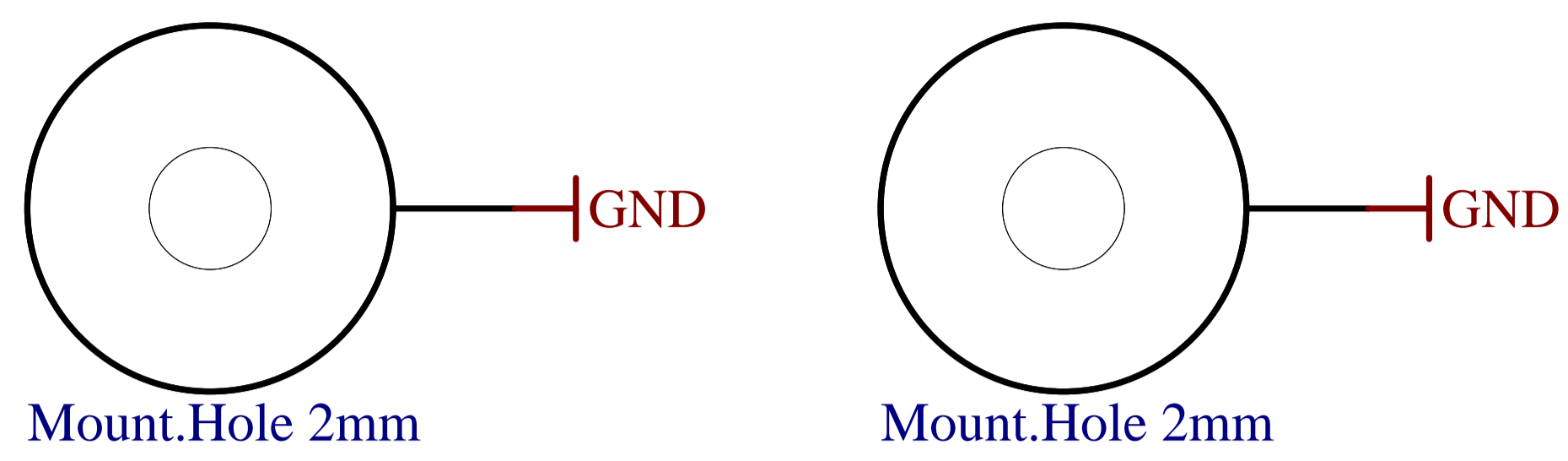
Serial1

Serial

Serialnumber 6,3 x 6.3mm

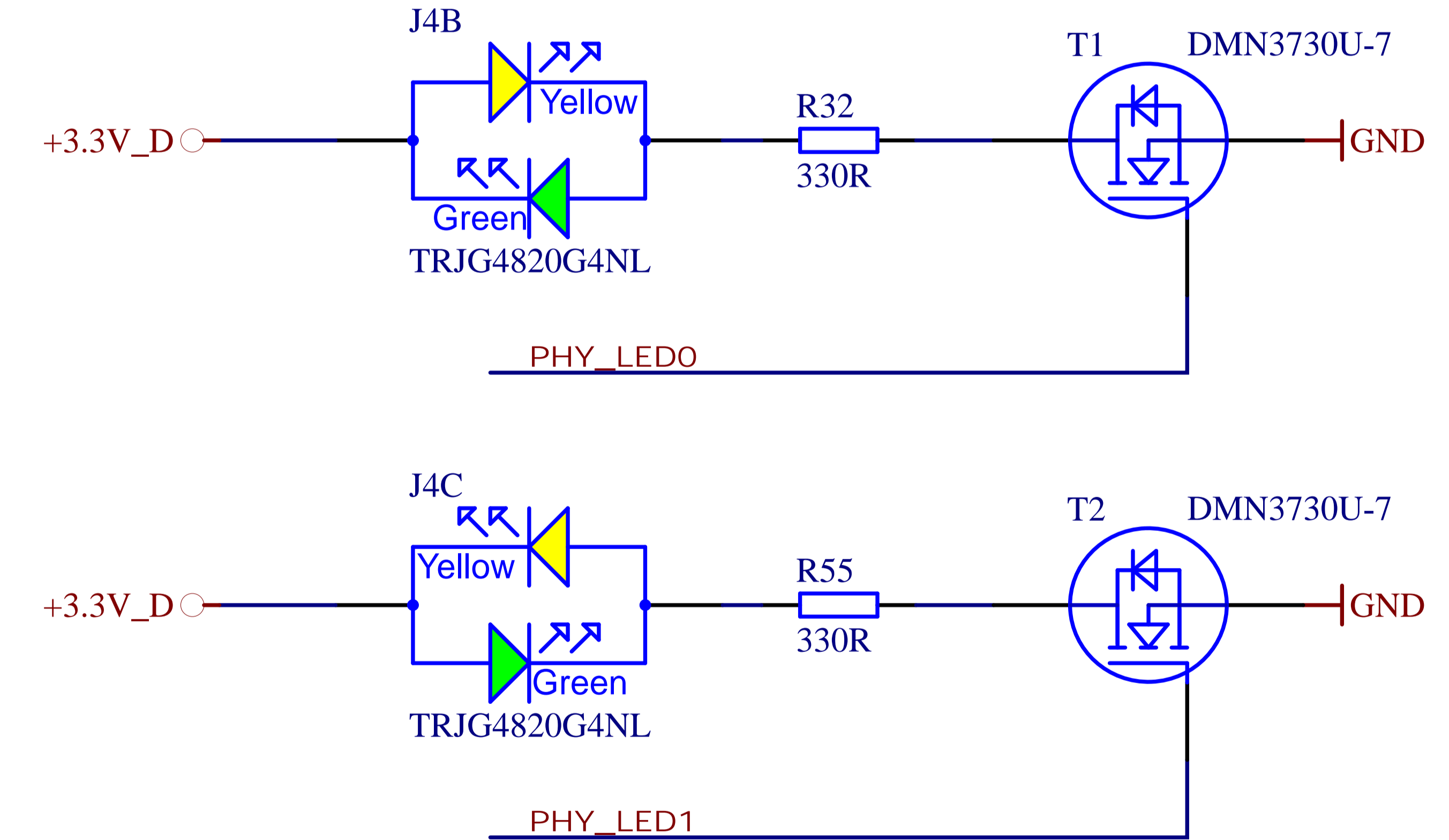
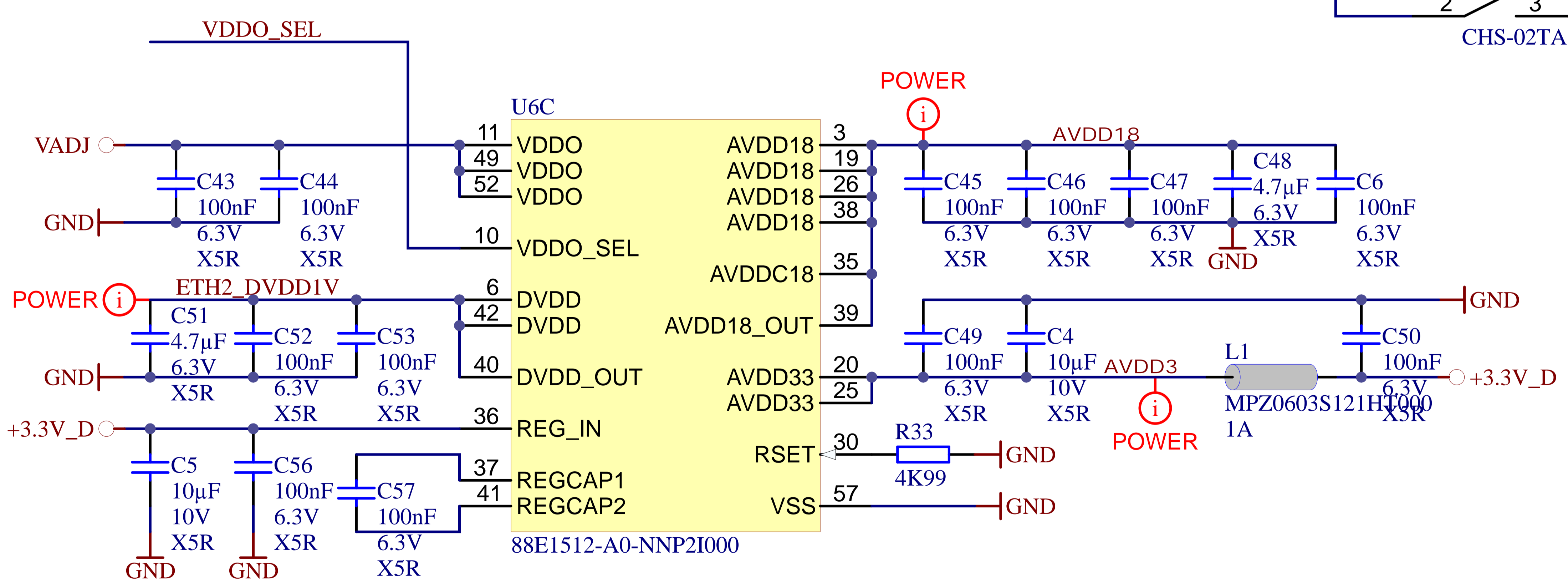
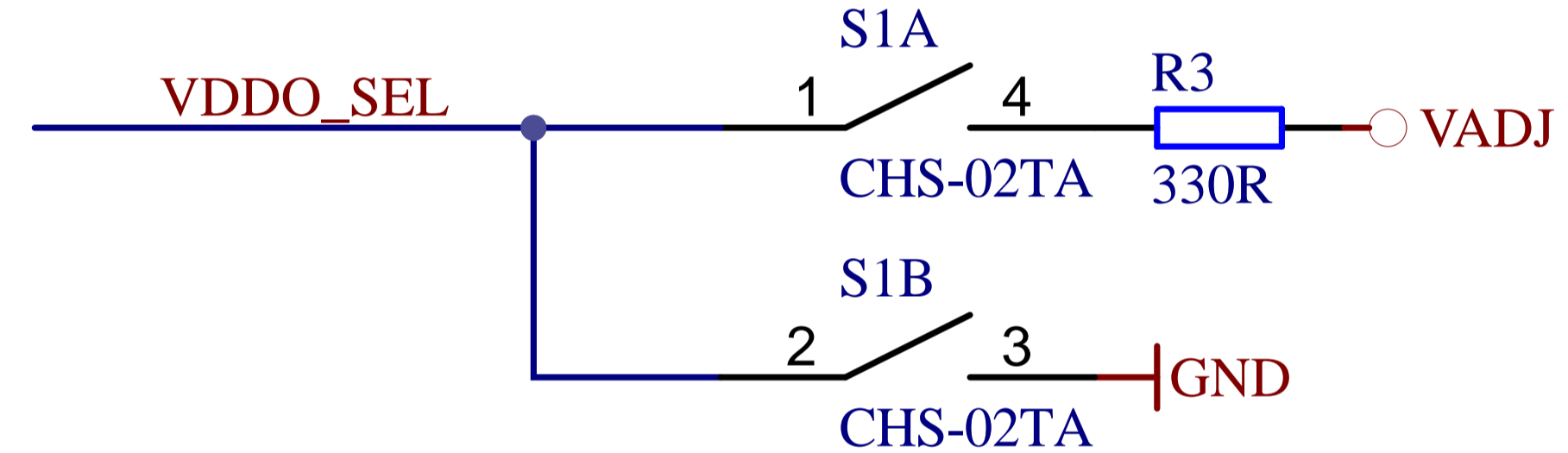
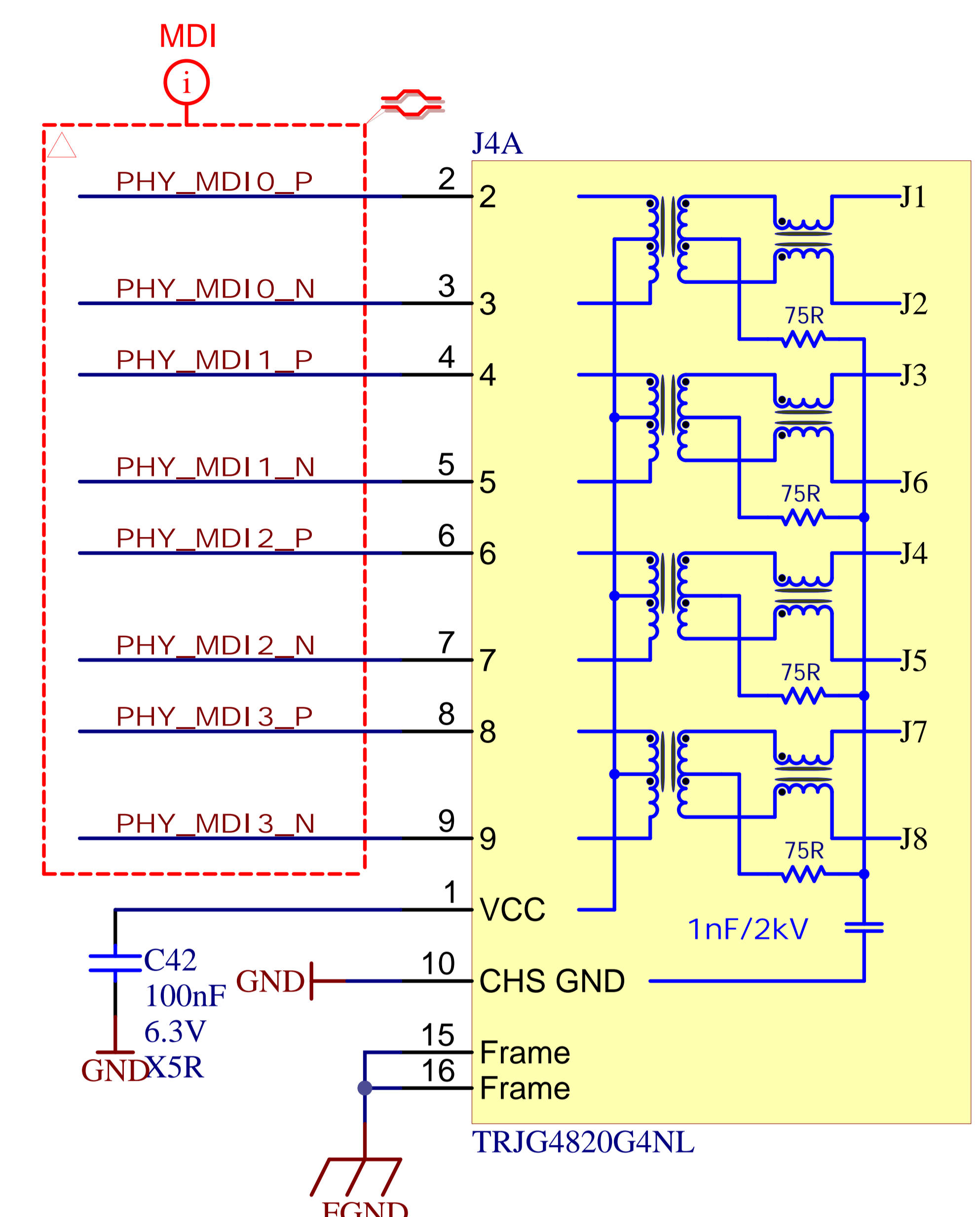
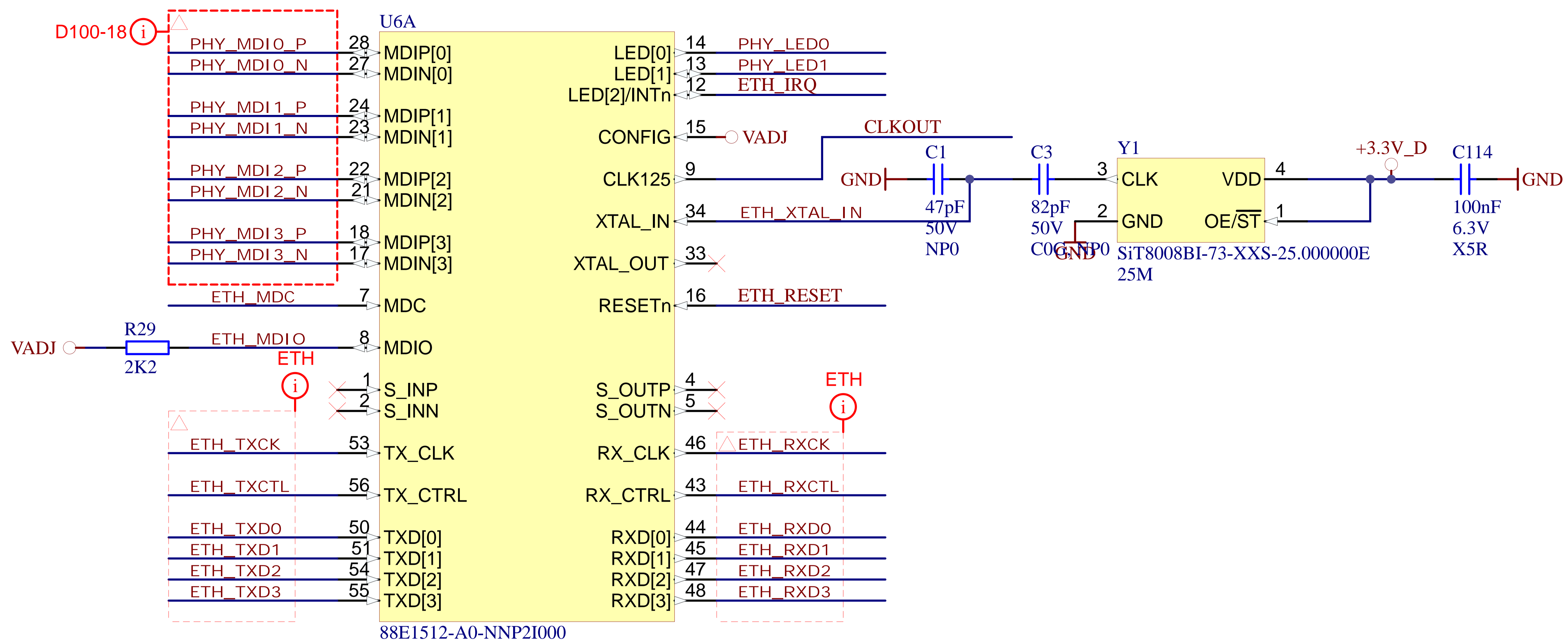
Assembly variant	[No Variations]
Created by	
Modified by	
Modified at	
SVN Revision	1167

Title: CR00200		Design licensed from MicroFPGA UG(h)	
A4	Number: CR00200 [No Variations]	Rev.	01
Date: 2022-05-16	Copyright: Trenz Electronic GmbH	Page 1 of 4	
Drawn by:	Filename: CR00200.SchDoc		



Assembly variant [No Variations]
 Created by
 Modified by
 Modified at
 SVN Revision 1167

Title: CR00200 - Connectors		Design licensed from MicroFPGA UG(h)	
A4	Number: CR00200 [No Variations]	Rev. 01	
Date: 2022-05-16	Copyright: Trenez Electronic GmbH	Page 2 of 4	
Drawn by: *	Filename: CRUVI.SchDoc		



Title: CR00200 - Ethernet			Design licensed from MicroFPGA UG(h)
A4	Number: CR00200 [No Variations]	Rev. 01	
Date: 2022-05-16	Copyright: Trenz Electronic GmbH	Page 3 of 4	
Drawn by:	Filename: Ethernet.SchDoc		

1

2

3

4

A

A

REV	Description	
-01	Initial revision	AL/VT

B

B

C

C

D

D

Title: CR00200 - Revision History		<small>Design licensed from MicroFPGA UG(h)</small>	
A4	Number: CR00200 [No Variations]	Rev.	01
Date: 2022-05-16	Copyright: Trenz Electronic GmbH	Page 4 of 4	
Filename: Revision Changes.SchDoc			

1

2

3

4