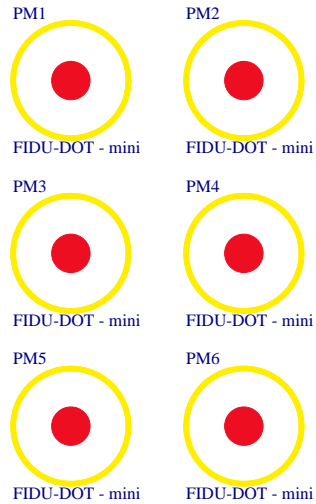


CRUVI
 CRUVI.SchDoc
 Ethernet
 Ethernet.SchDoc
 Ethernet2
 Ethernet2.SchDoc



UKCA
 UKCA Logo on Top Overlay

UKCA-TOPOVERLAY

CE
 CE Logo on Top Overlay

CE-TOPOVERLAY

MECH1
 TE Address Overlay

LOGO ADDRESS

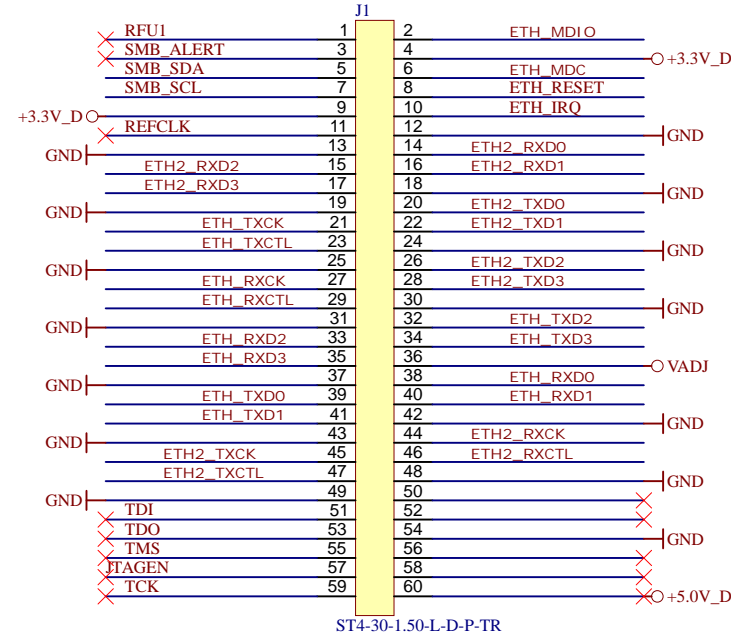
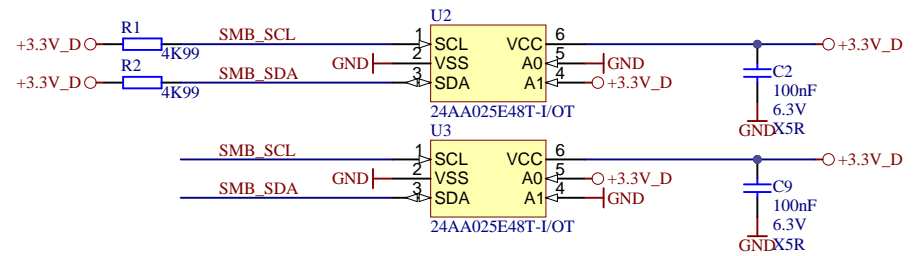
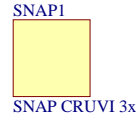
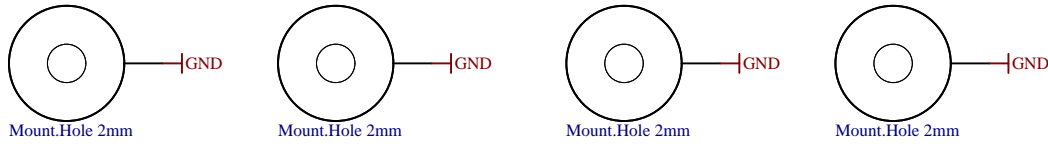
LOGO1
 TE Logo PRINT Layer

LOGO PRINT

Assembly variant	[No Variations]
Created by	
Modified by	
Modified at	
SVN Revision	1155

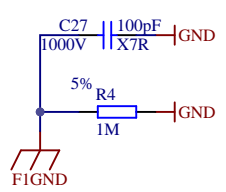
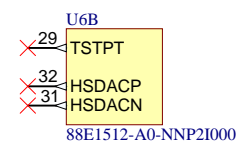
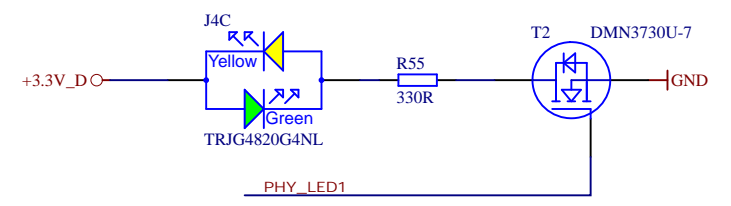
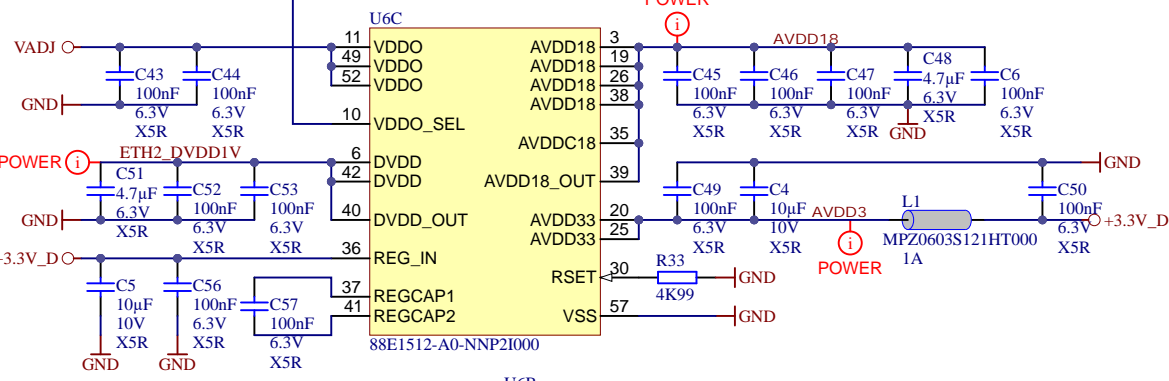
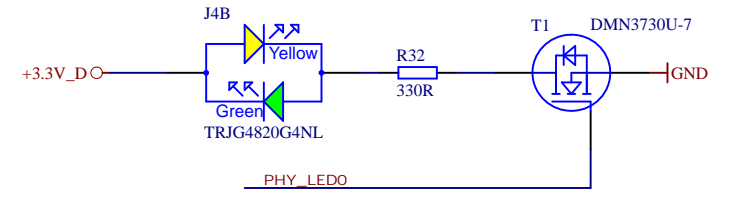
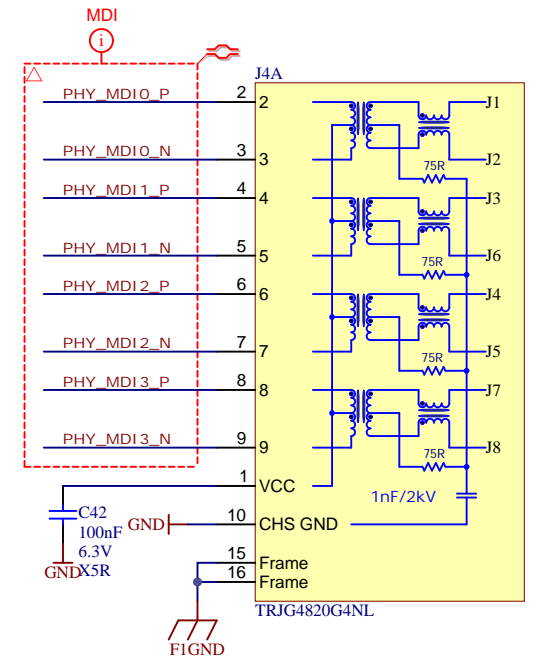
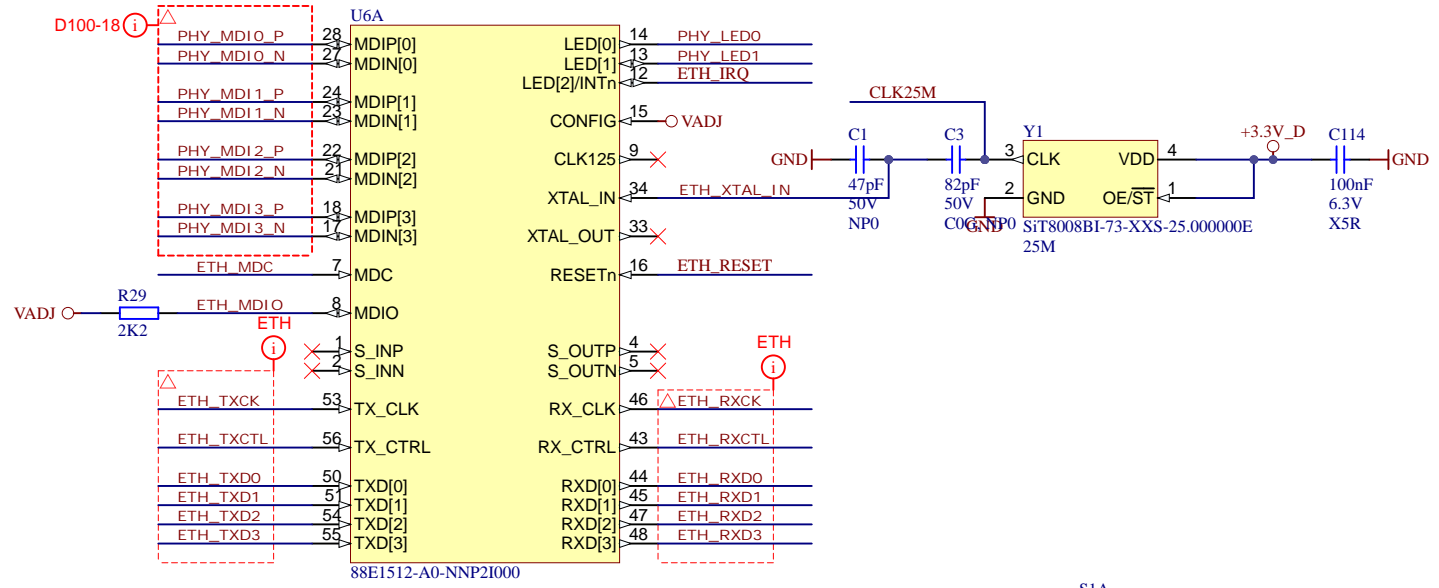
Serial1
 Serial
 Serialnumber 6,3 x 6.3mm

Title: CR00202		
<i>Design licensed from MicroFPGA UG(h)</i>		
A4	Number: CR00202 [No Variations]	Rev. 01
Date: 2022-05-13	Copyright: Trenez Electronic GmbH	Page 1 of 5
Drawn by:	Filename: CR00202.SchDoc	

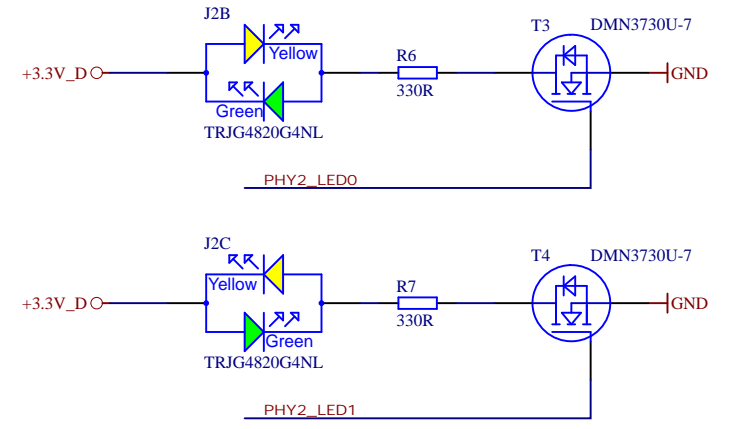
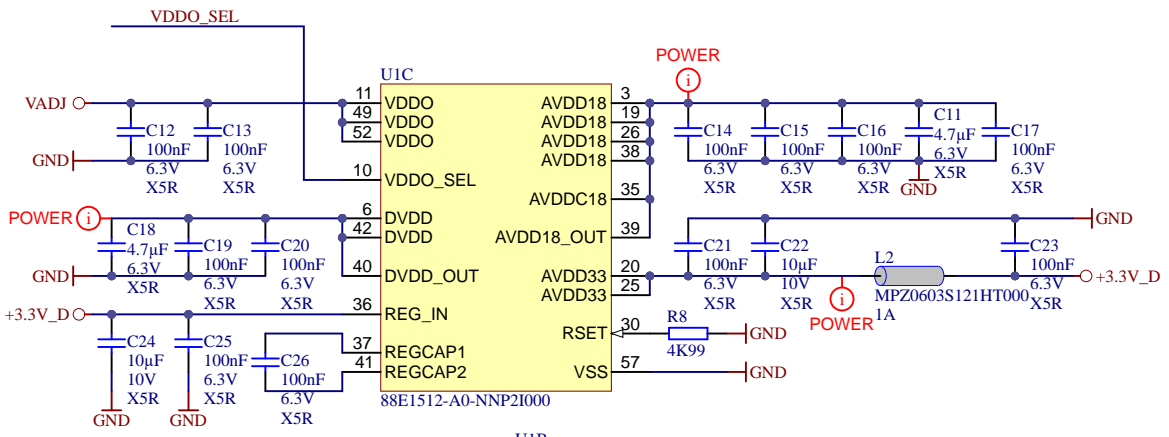
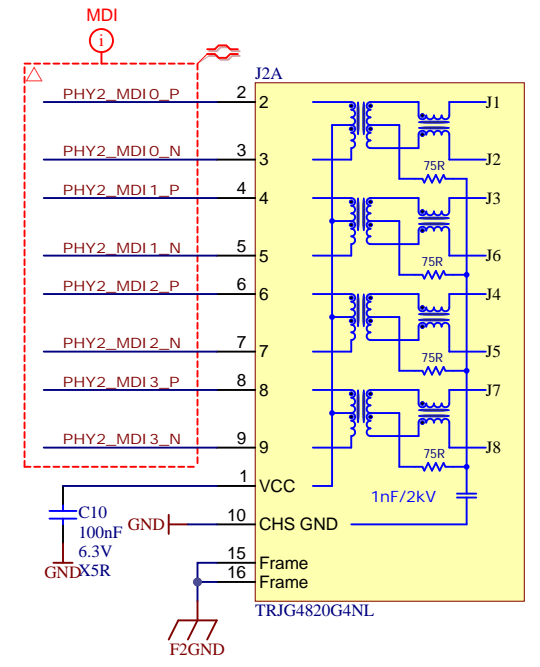
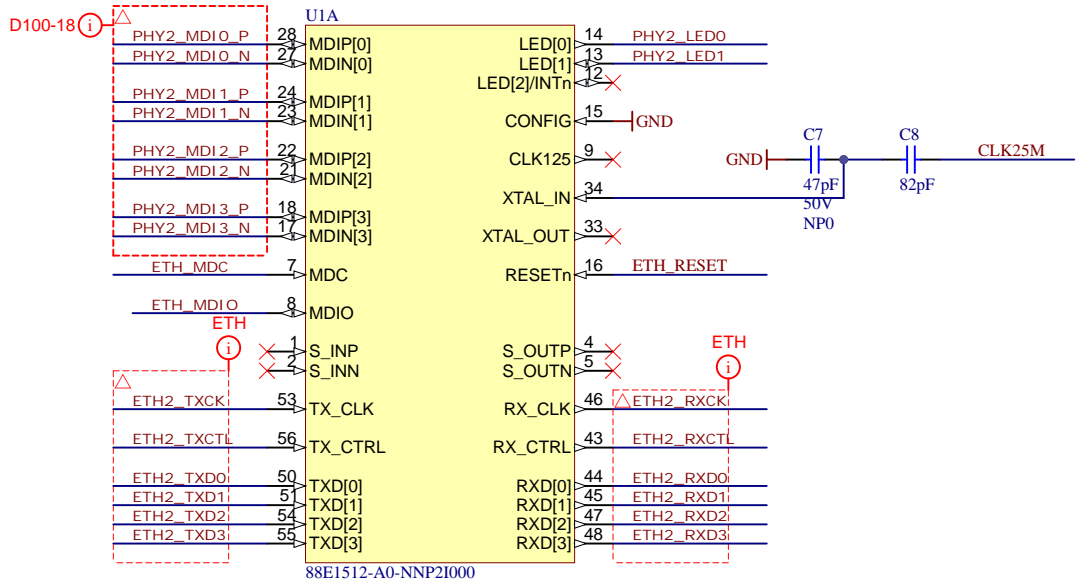


Assembly variant	[No Variations]
Created by	
Modified by	
Modified at	
SVN Revision	1155

Title: CR00202 - Connectors		
Design licensed from MicroFPGA UG(h)		
A4	Number: CR00202 [No Variations]	Rev. 01
Date: 2022-05-13	Copyright: Trezz Electronic GmbH	Page 2 of 5
Drawn by: *	Filename: CRUVI.SchDoc	



Title: CR00202 - Ethernet			Design licensed from MicroFPGA UG(h)		
A4	Number: CR00202 [No Variations]			Rev. 01	
Date: 2022-05-13	Copyright: Trenz Electronic GmbH	Page 3 of 5			
Drawn by:	Filename: Ethernet.SchDoc				



Title: CR00202 - Ethernet2		
Design licensed from MicroFPGA UG(h)		
A4	Number: CR00202 [No Variations]	Rev. 01
Date: 2022-05-13	Copyright: Trenz Electronic GmbH	Page 4 of 5
Drawn by:	Filename: Ethernet2.SchDoc	

1

2

3

4

A

A

REV	Description	
-01	Initial revision	AL/VT

B

B

C

C

D

D

Title: CR00202 - Revision History <small>Design licensed from MicroFPGA UG(h)</small>		
A4	Number: CR00202 [No Variations]	Rev. 01
Date: 2022-05-13	Copyright: Trenez Electronic GmbH	Page 5 of 5
Filename: Revision Changes.SchDoc		

1

2

3

4