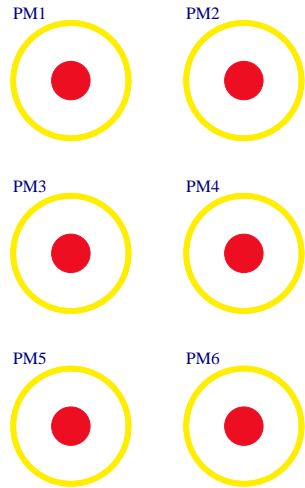


CRUVI  
CRUVI.SchDoc

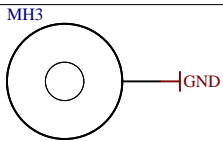


Serial1  
Serial  
Serialnumber 6,3 x 6,3mm

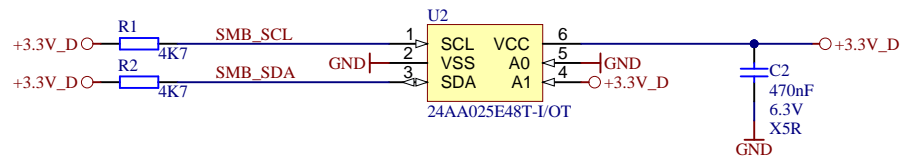
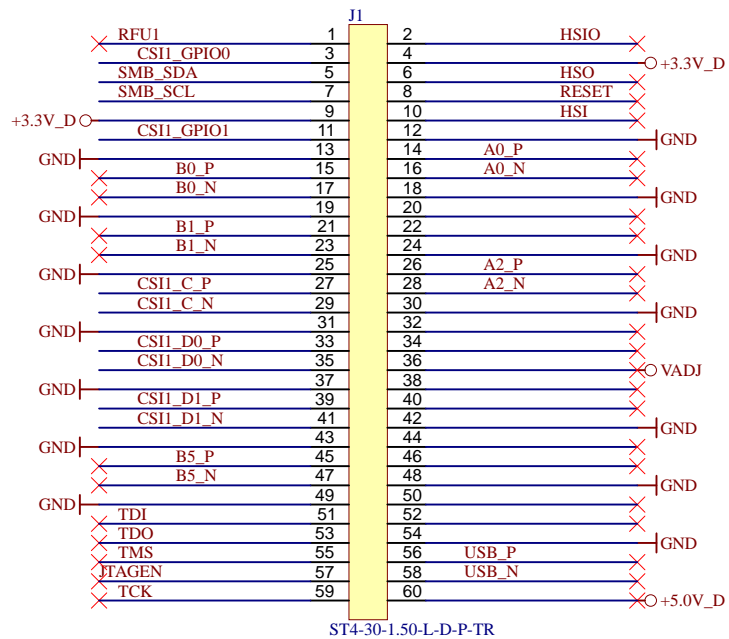
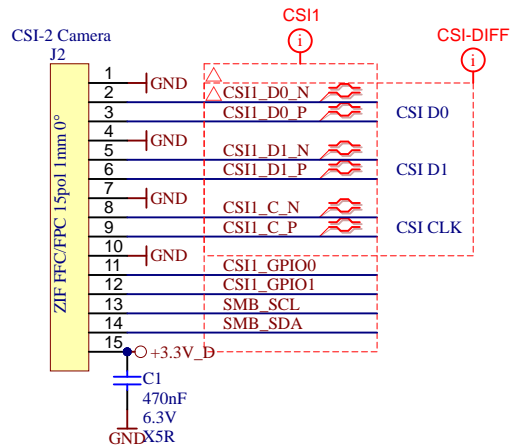
UKCA1  
UKCA Logo on Top Overlay  
UKCA-TOPOVERLAY

|                  |         |
|------------------|---------|
| Drawn by         | AL      |
| Checked by       | VG      |
| Assembly variant | Default |
| Created by       | AL      |
| Modified by      | -       |
| Modified at      | -       |

|                           |                                  |             |
|---------------------------|----------------------------------|-------------|
| Title: CR00300 - Overview |                                  |             |
| A4                        | Number: CR00300<br>Default       | Rev. 01     |
| Date: 22.03.2024          | Copyright: Trenz Electronic GmbH | Page 1 of 3 |
| Drawn by: AL              | Filename: CR00300.SchDoc         |             |



SNAPI  
SNAP CRUVI 3x



|                        |                                  |             |
|------------------------|----------------------------------|-------------|
| Title: CR00300 - CRUVI |                                  |             |
| A4                     | Number: CR00300<br>Default       | Rev. 01     |
| Date: 22.03.2024       | Copyright: Trenz Electronic GmbH | Page 2 of 3 |
| Drawn by: AL           | Filename: CRUVI.SchDoc           |             |

1

2

3

4

A

A

B

B

C

C

D

D

| REV | Description  |                     |
|-----|--|---------------------|
| -01 | 1. Initial revision;<br>2. NRND component 27289 (J2) replaced with 34096 (in the variant Default). | AL<br>VG (22.03.24) |

|   |                                    |                |
|---|------------------------------------|----------------|
| Title: <b>CR00300 - Revision Changes List</b> |                                    |                |
| A4  | Number: <b>CR00300<br/>Default</b> | Rev. <b>01</b> |
| Date: 22.03.2024                              | Copyright: Trenz Electronic GmbH   | Page 3 of 3    |
| Filename: <b>Revision Changes.SchDoc</b>      |                                    |                |

1

2

3

4