

1

2

3

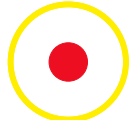





4

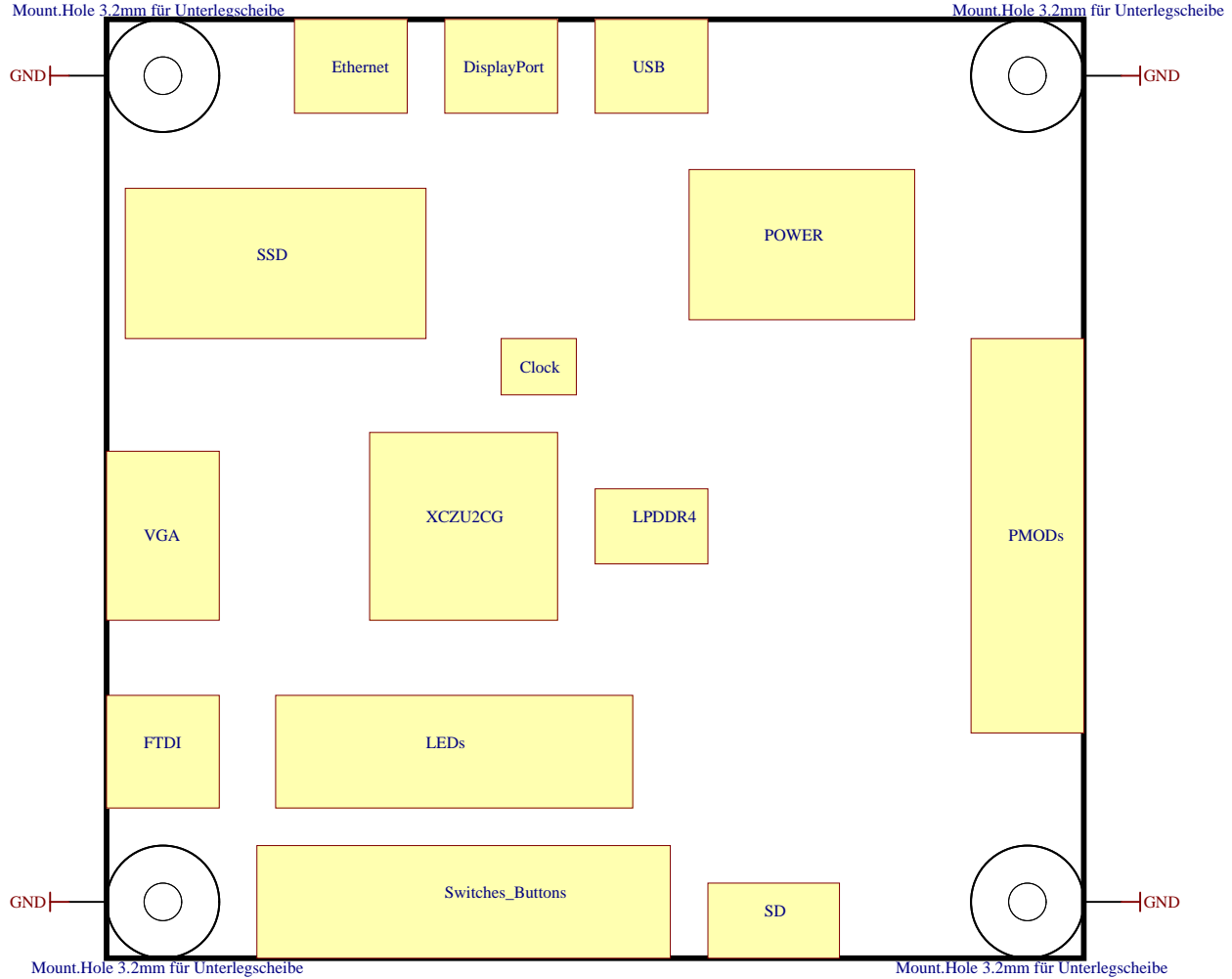
A

B

C

D

- PM1

FIDU-DOT - small
- PM2

FIDU-DOT - small
- PM3

FIDU-DOT - small
- PM4

FIDU-DOT - small
- PM6

FIDU-DOT - small
- PM5

FIDU-DOT - small



Serial1
Serial
Serialnumber 6,3 x 6,3mm

LOGO1
TE Logo PRINT Layer
LOGO PRINT

MISC1
Digilent Serialnumber
Digilent_SN



Title: TE0802		
A4	Number: TE0802-02 1AEV2-A	Rev. 02
Date: 2019-05-20	Copyright: Trenz Electronic GmbH	Page 1 of 25
Drawn by: IG	Filename: TE0802.schdoc	

Assembly variant	1AEV2-A
Created by	IG
Modified by	IG
Modified at	2021-10-01
SVN Revision	Unknown revision

1

2

3

4

A

B

C

D

1

2

3

4

A

A

B

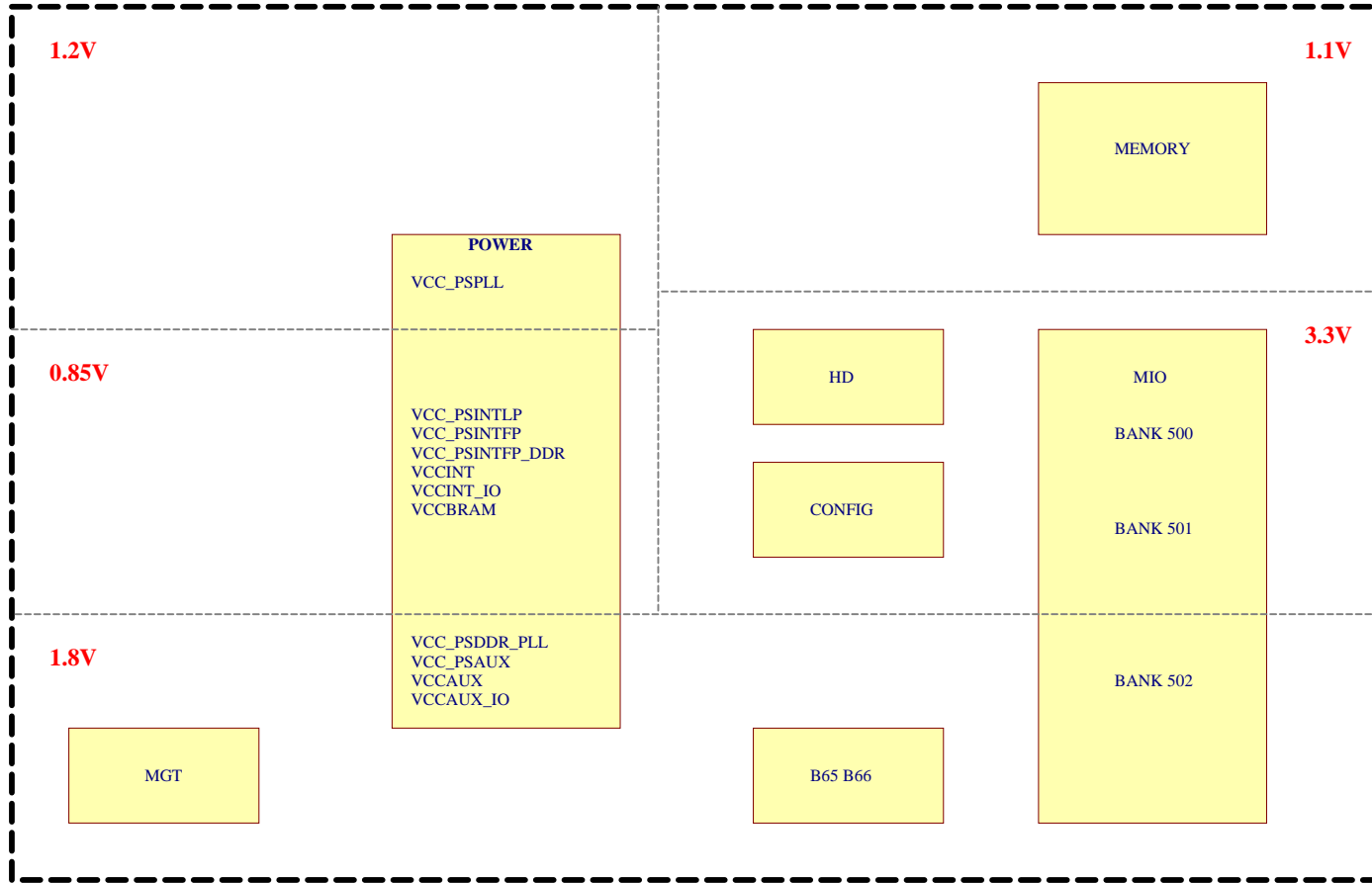
B


C

C

D

D



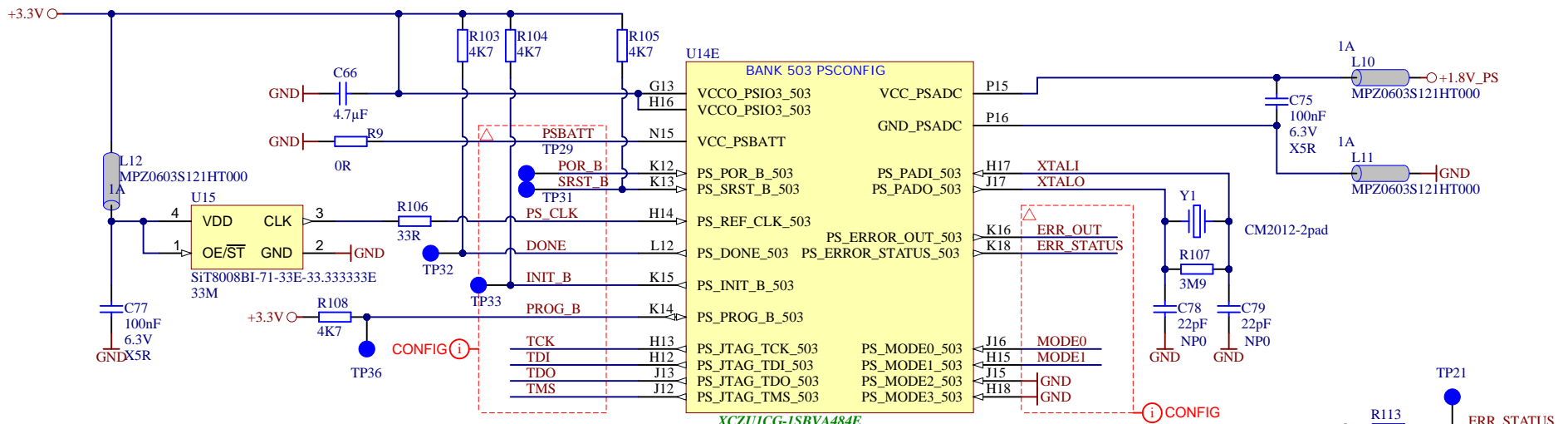
		Title: XZU2CG	
		A4	Number: TE0802-02 1AEV2-A
Date: 2019-05-20		Copyright: Trenz Electronic GmbH	
Page 2 of 25		Filename: XZU2CG.SchDoc	
Drawn by: IG			

1

2

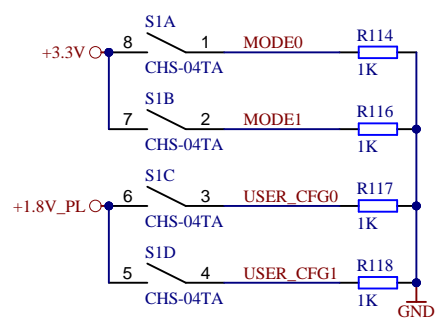
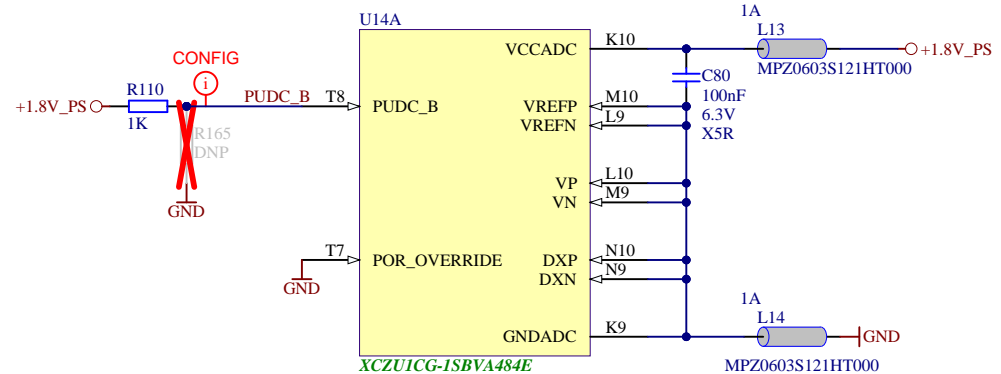
3

4

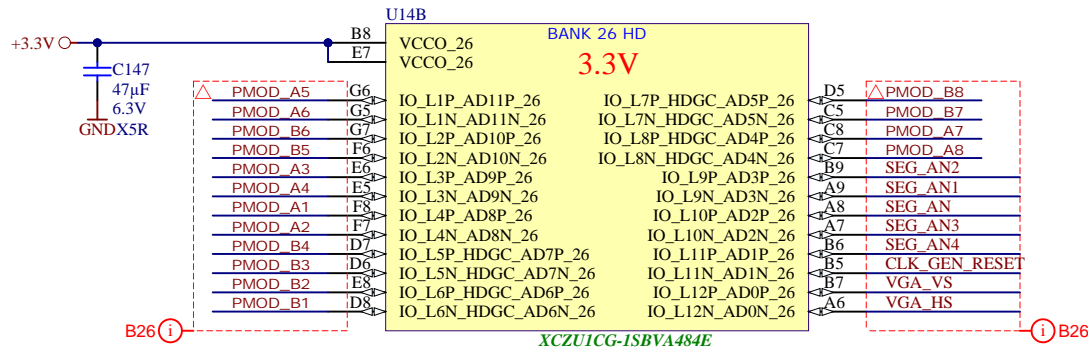


TP23 PSBATT
 Testpoint 0.9mm THT
 TP24
 GND
 Testpoint 0.8mm THT

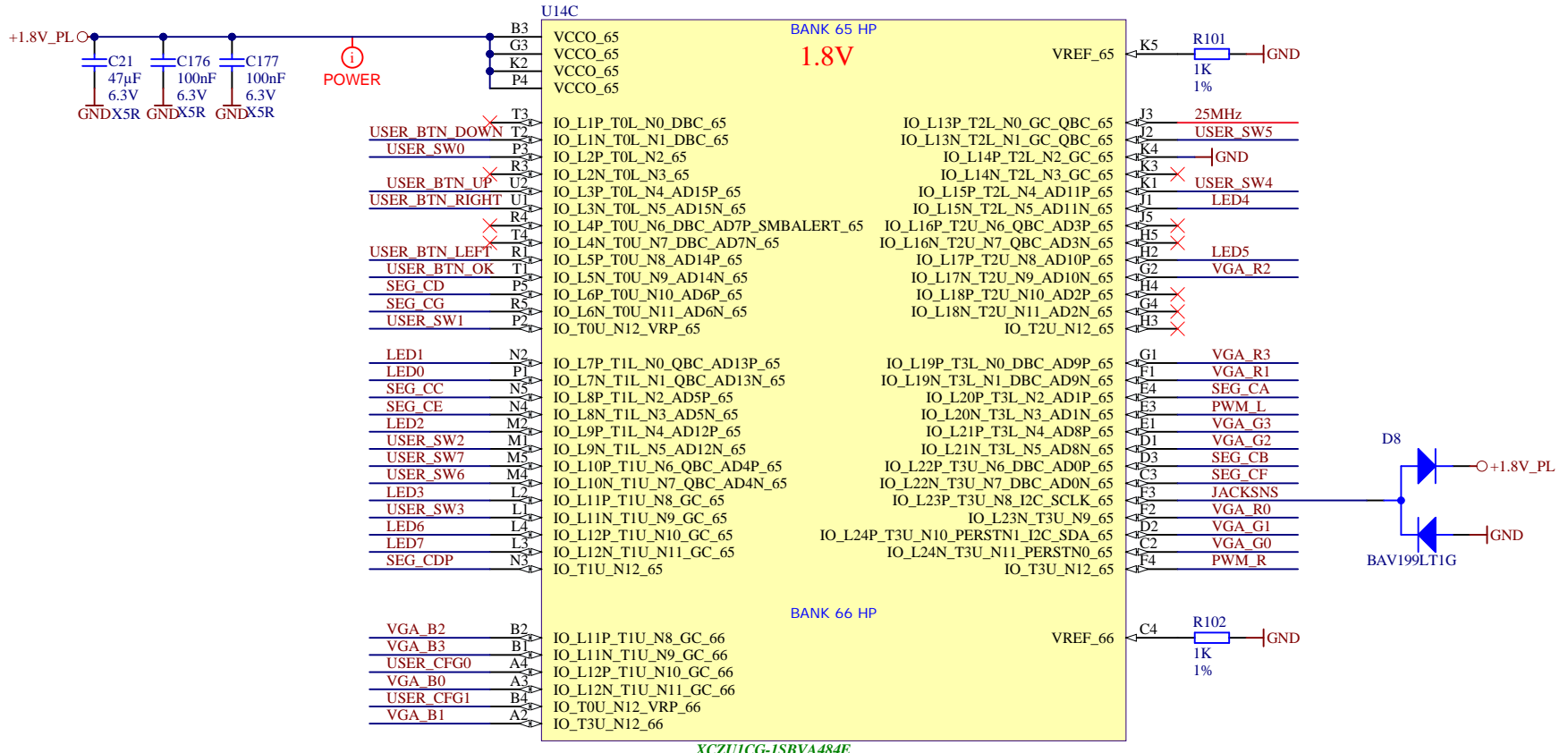
	MODE [1:0]
JTAG	00
QSPI(24b)	01
QSPI(32b)	10
SD0(2.0)	11



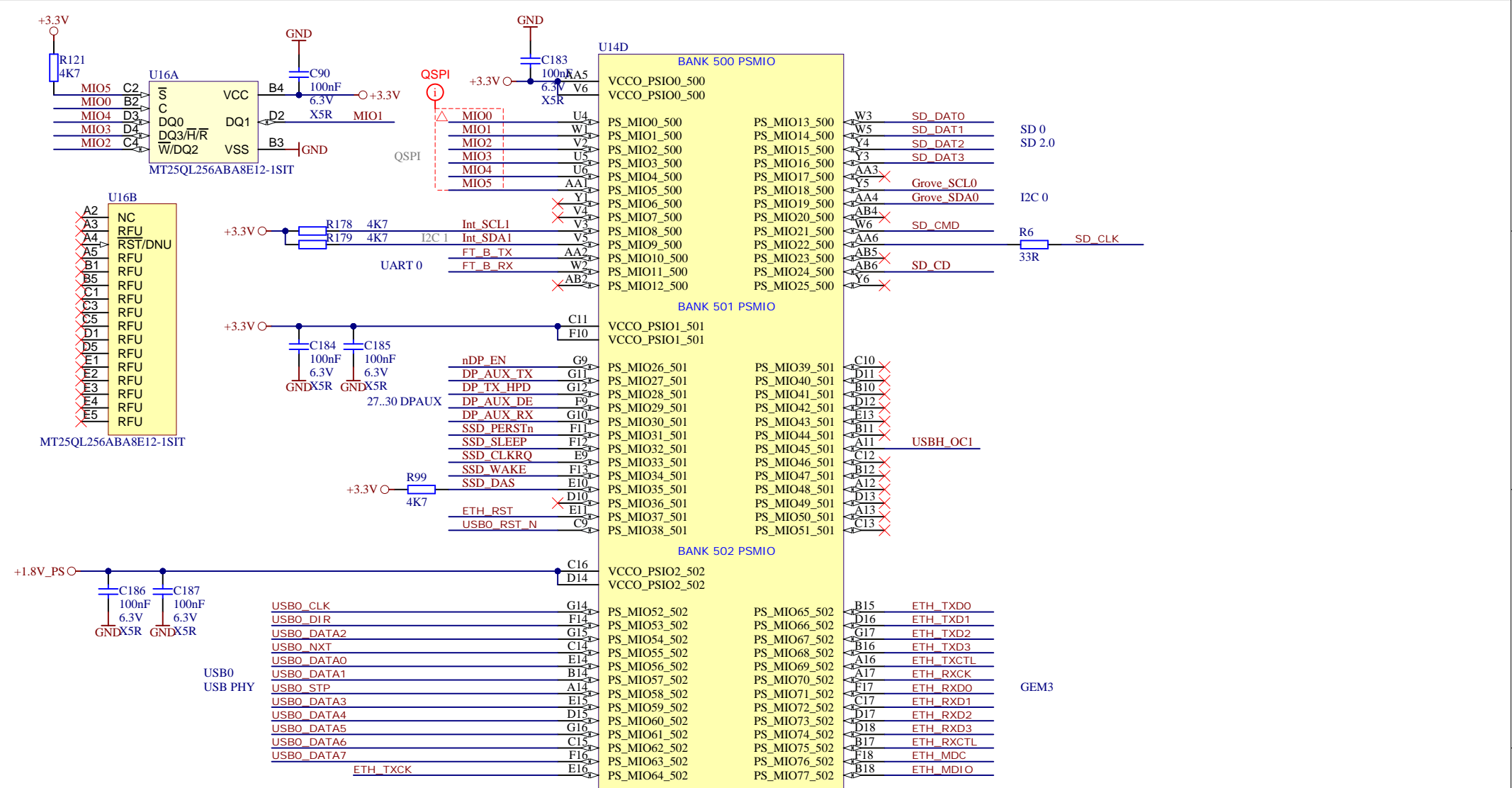
Title: XCZU2CG_Config		
A4	Number: TE0802-02 1AEV2-A	Rev. 02
Date: 2019-05-20	Copyright: Trenz Electronic GmbH	Page 3 of 25
Drawn by: IG	Filename: XCZU2CG_Config.SchDoc	




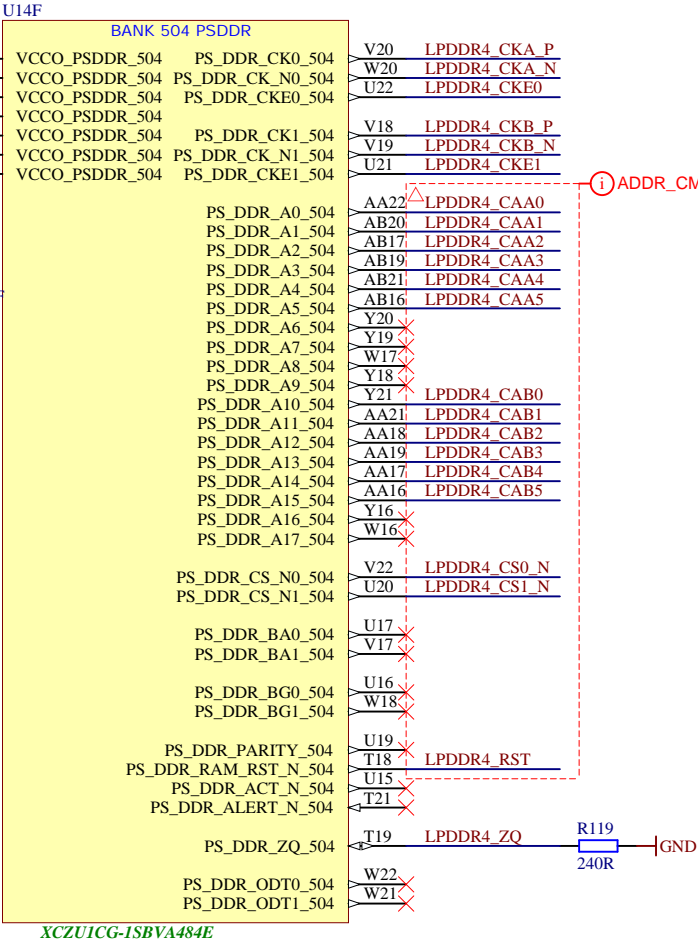
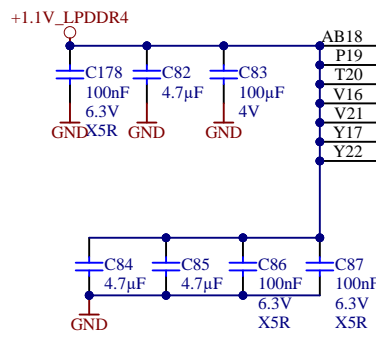
	Title: XCZU2CG_HD		
	A4	Number: TE0802-02 1AEV2-A	Rev. 02
	Date: 2019-05-20	Copyright: Trenz Electronic GmbH	Page 4 of 25
	Drawn by: IG	Filename: XCZU2CG_HD.SchDoc	



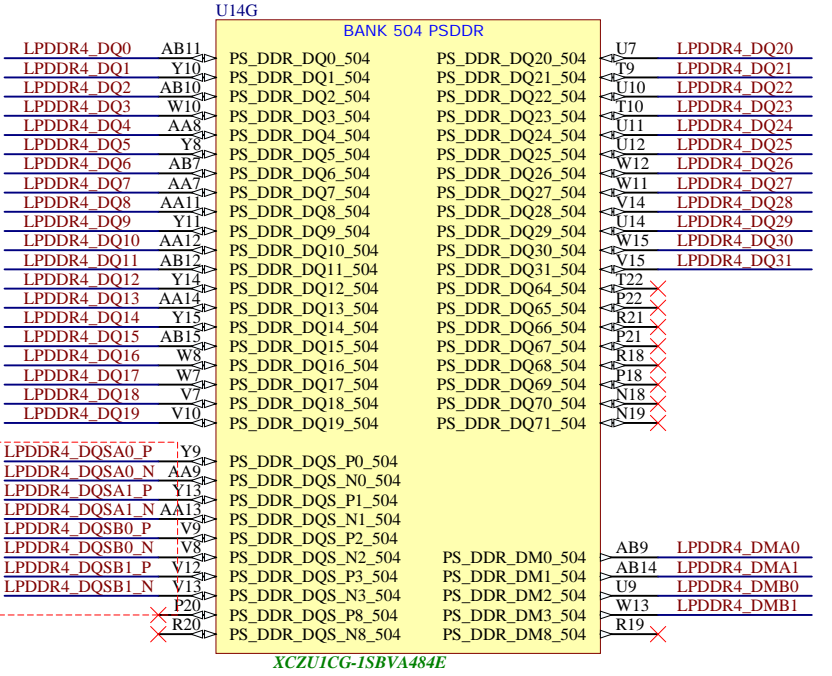

Title: XCZU2CG_B65_B66		
A4	Number: TE0802-02 1AEV2-A	Rev. 02
Date: 2019-05-20	Copyright: Trenz Electronic GmbH	Page 5 of 25
Drawn by: IG	Filename: XCZU2CG_B65_B66.SchDoc	



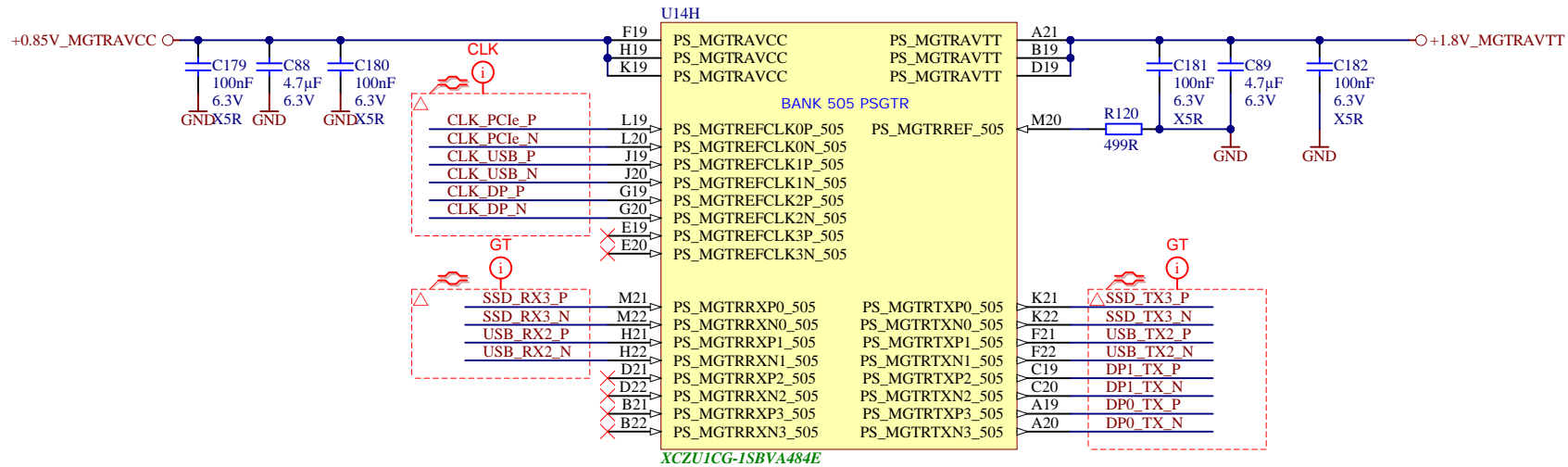
		Title: XZU2CG_MIO	
		A4	Number: TE0802-02 1AEV2-A
Date: 2019-05-20		Copyright: Trenz Electronic GmbH	
Page 6 of 25		Page 6 of 25	
Drawn by: IG		Filename: XZU2CG_MIO.SchDoc	




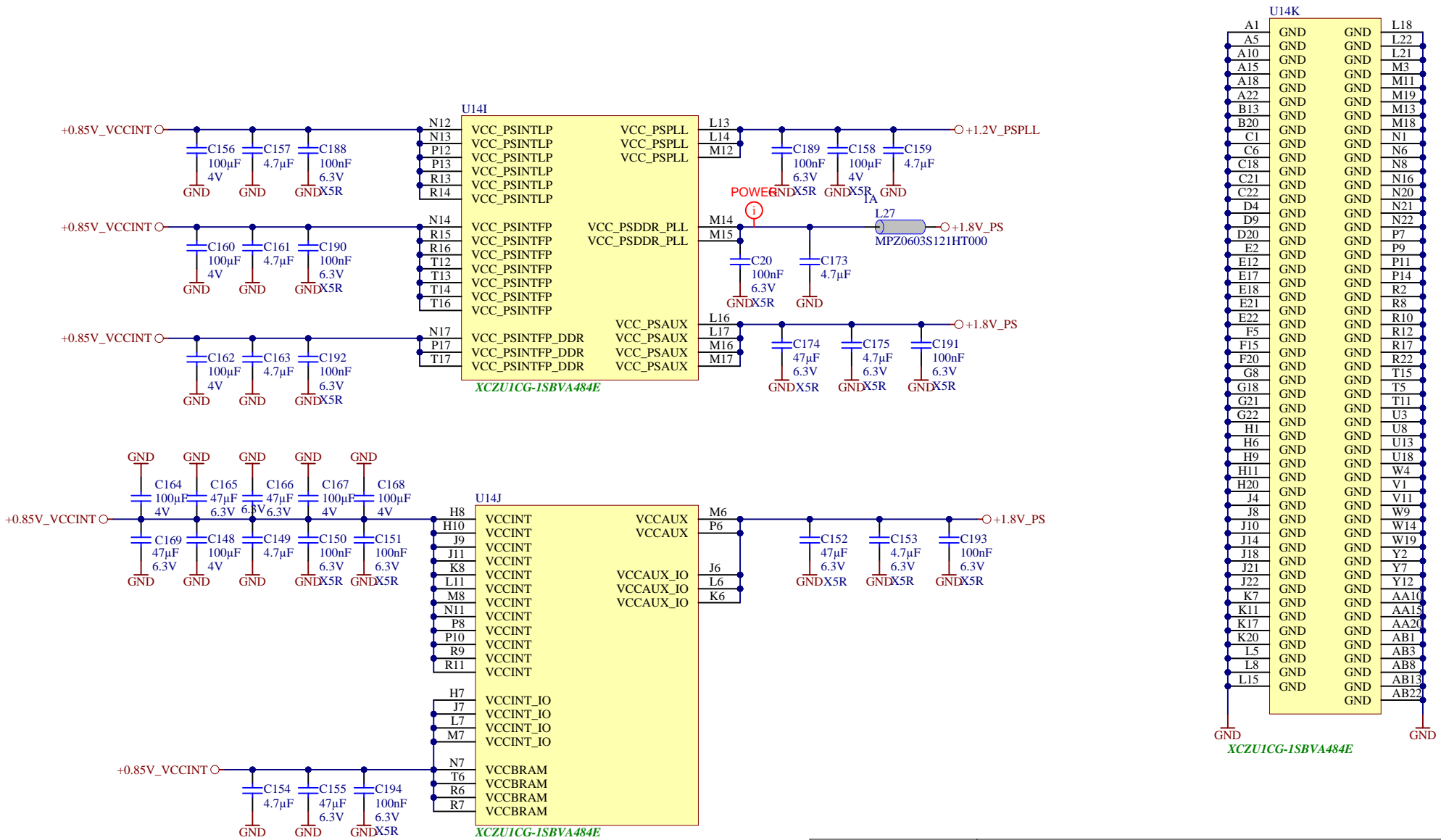
ADDR_CMD_CTL





Title: XCZU2CG_Memory		
A4	Number: TE0802-02 1AEV2-A	Rev. 02
Date: 2019-05-20	Copyright: Trenz Electronic GmbH	Page 7 of 25
Drawn by: IG	Filename: XCZU2CG_Memory.SchDoc	



	Title: XCZU2CG_MGT		
	A4	Number: TE0802-02 1AEV2-A	Rev. 02
	Date: 2019-05-20	Copyright: Trenz Electronic GmbH	Page 8 of 25
	Drawn by: IG	Filename: XCZU2CG_MGT.SchDoc	



			Title: XCZU2CG_Power	
			A4	Number: TE0802-02 1AEV2-A
Date: 2019-05-20		Copyright: Trenz Electronic GmbH		Page 9 of 25
Drawn by: IG		Filename: XCZU2CG_Power.SchDoc		

A

B

C

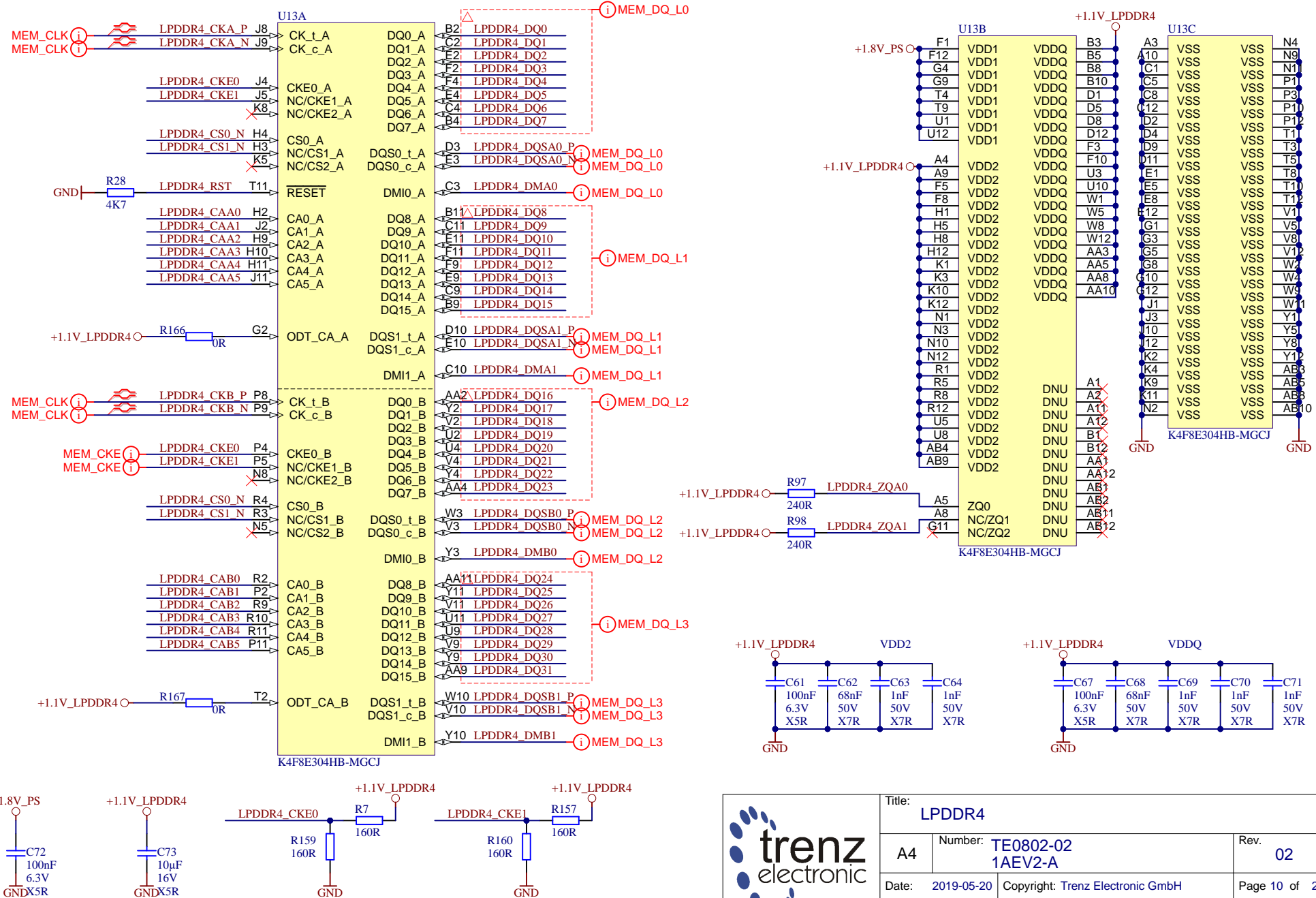
D

A

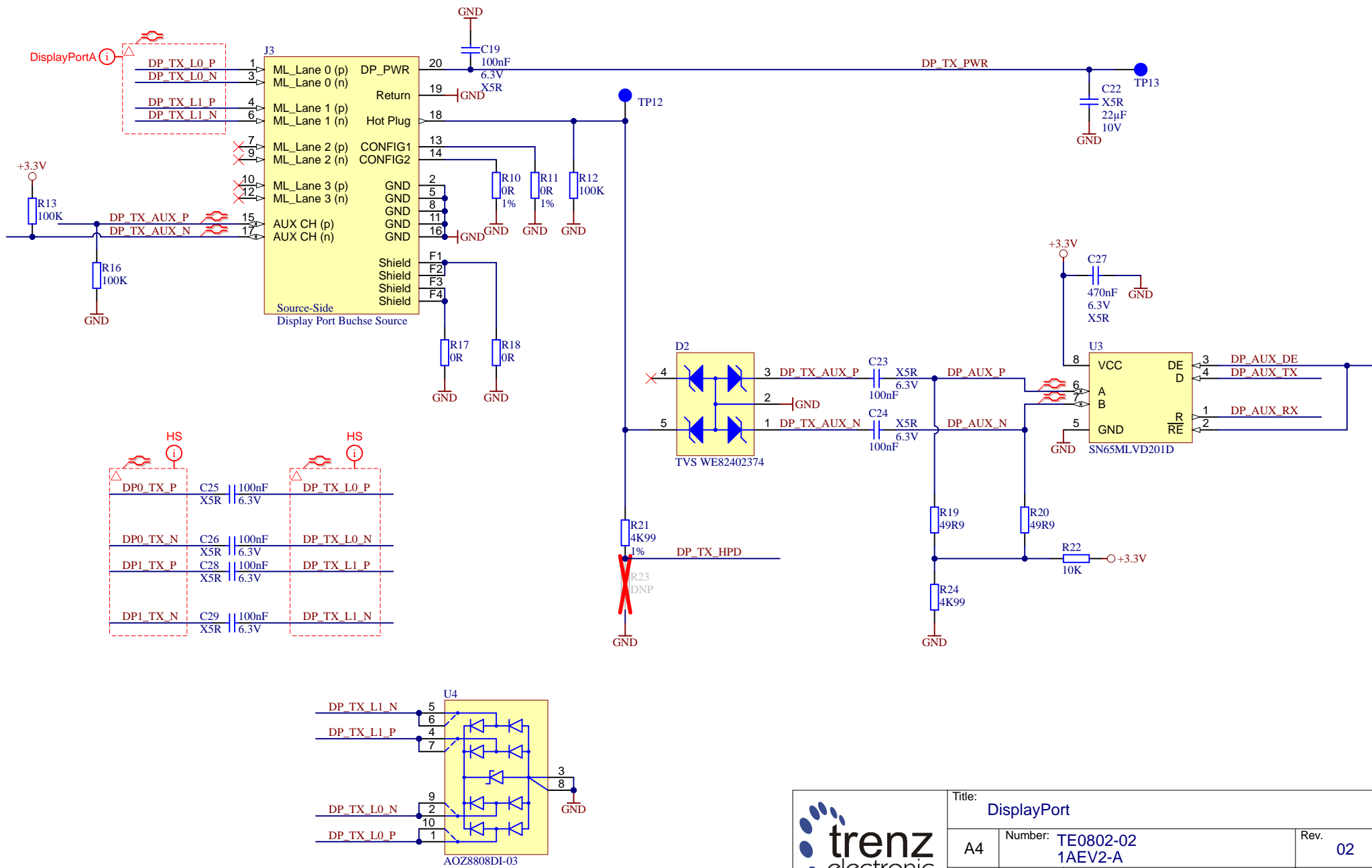
B


C

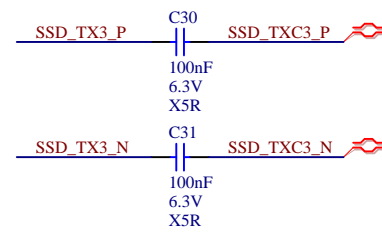
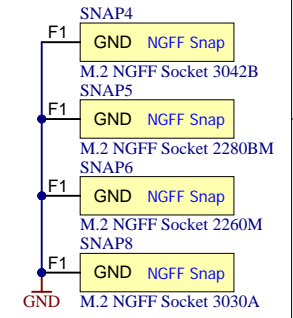
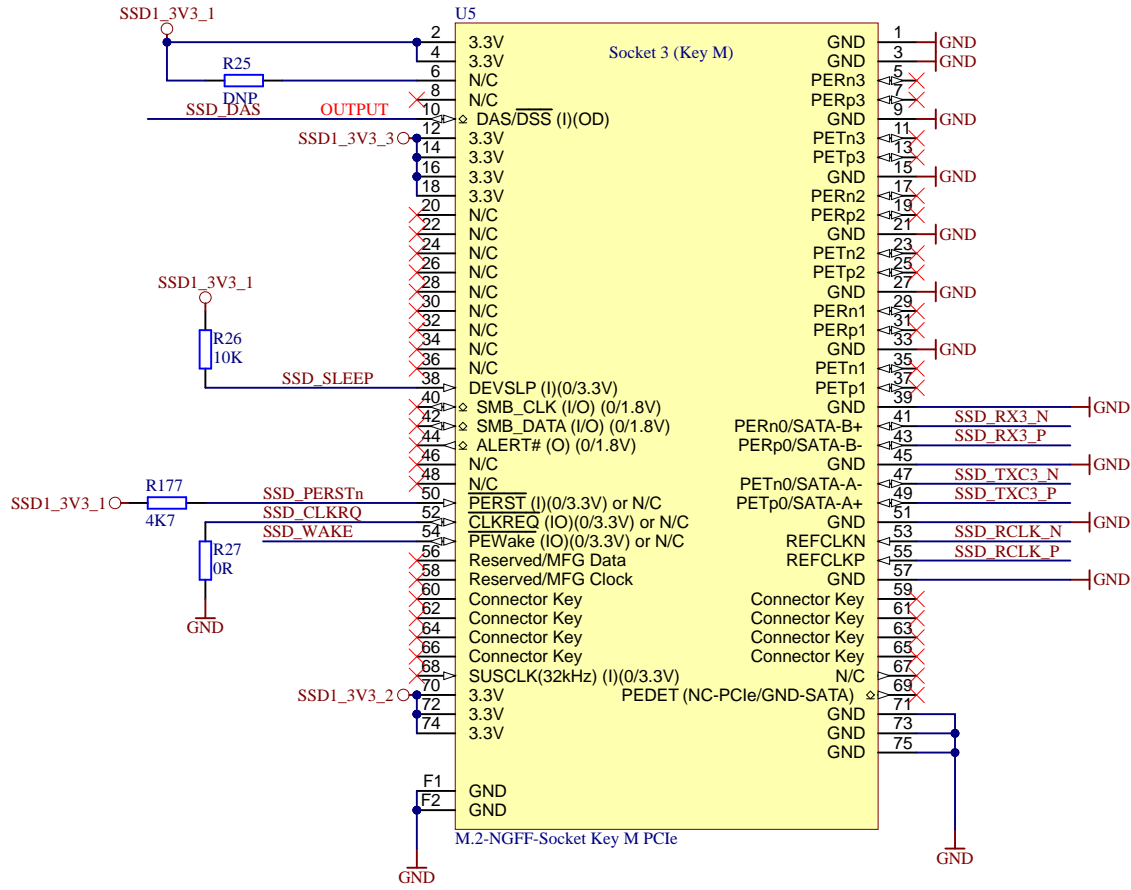
D



Title: LPDDR4		
A4	Number: TE0802-02 1AEV2-A	Rev. 02
Date: 2019-05-20	Copyright: Trenz Electronic GmbH	Page 10 of 25
Drawn by: IG	Filename: LPDDR4.SchDoc	

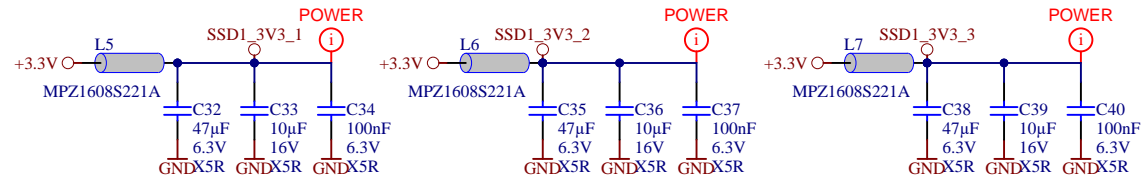



			Title: DisplayPort	
			A4	Number: TE0802-02 1AEV2-A
Date: 2019-05-20		Copyright: Trenz Electronic GmbH		Page 11 of 25
Drawn by: IG		Filename: DisplayPort.schdoc		



MECH1

 M.2 NGFF SMD-Abstandsbolzen - M3 - 1.5mm



			Title: SSD	
			A4	Number: TE0802-02 1AEV2-A
Date: 2019-05-20		Copyright: Trenz Electronic GmbH		Page 12 of 25
Drawn by: IG		Filename: SSD.SchDoc		

A

B

C

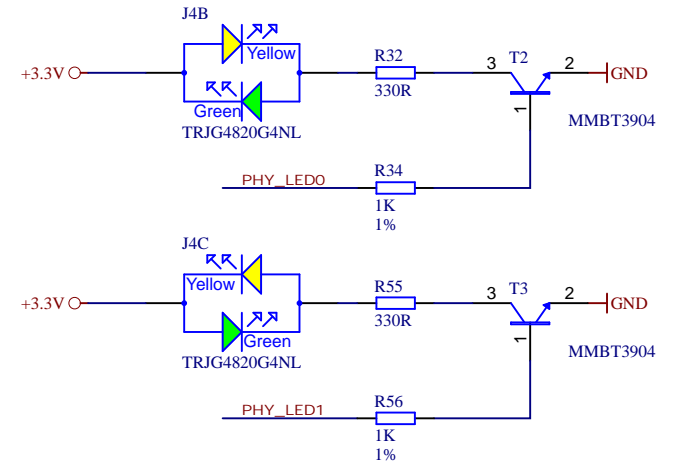
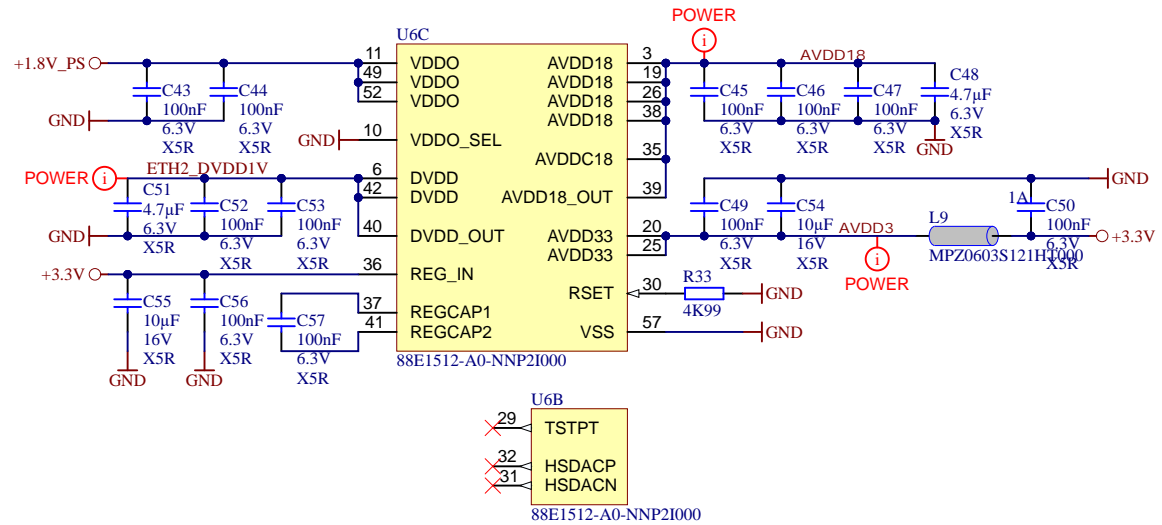
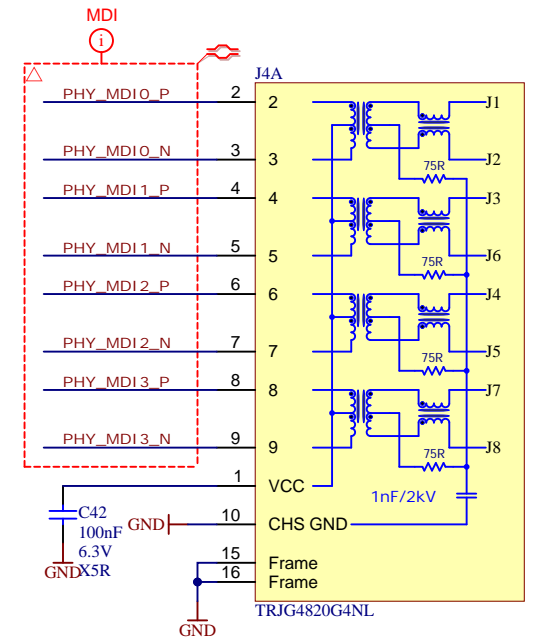
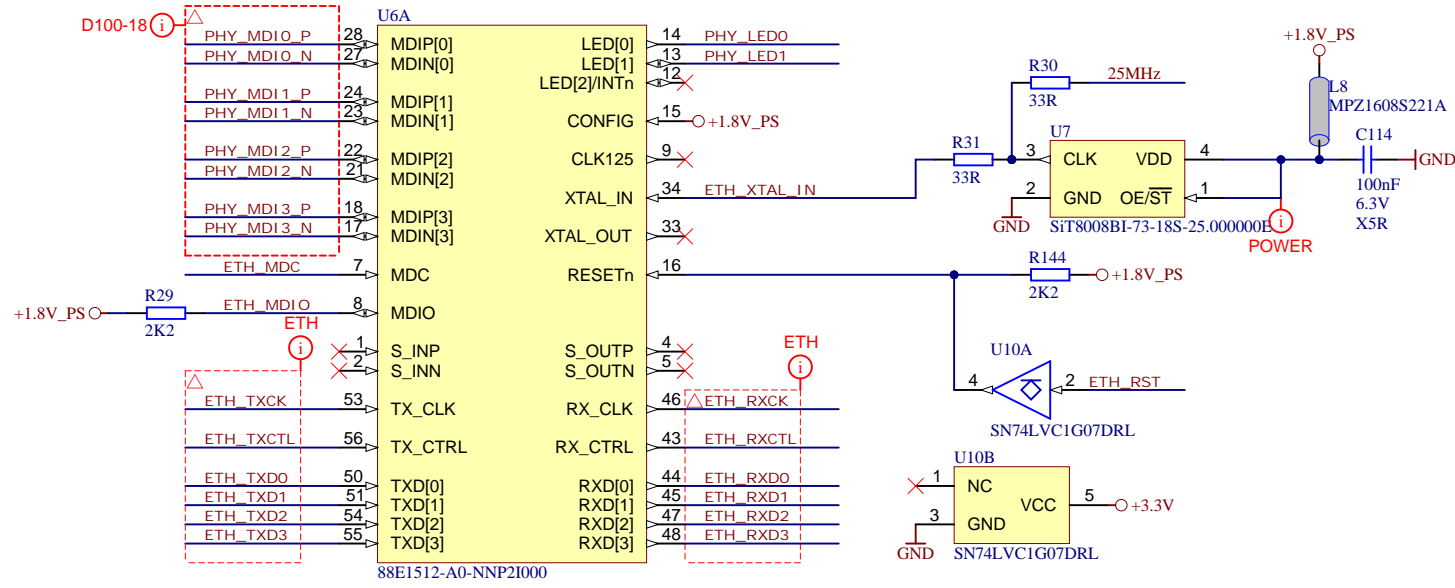
D

A

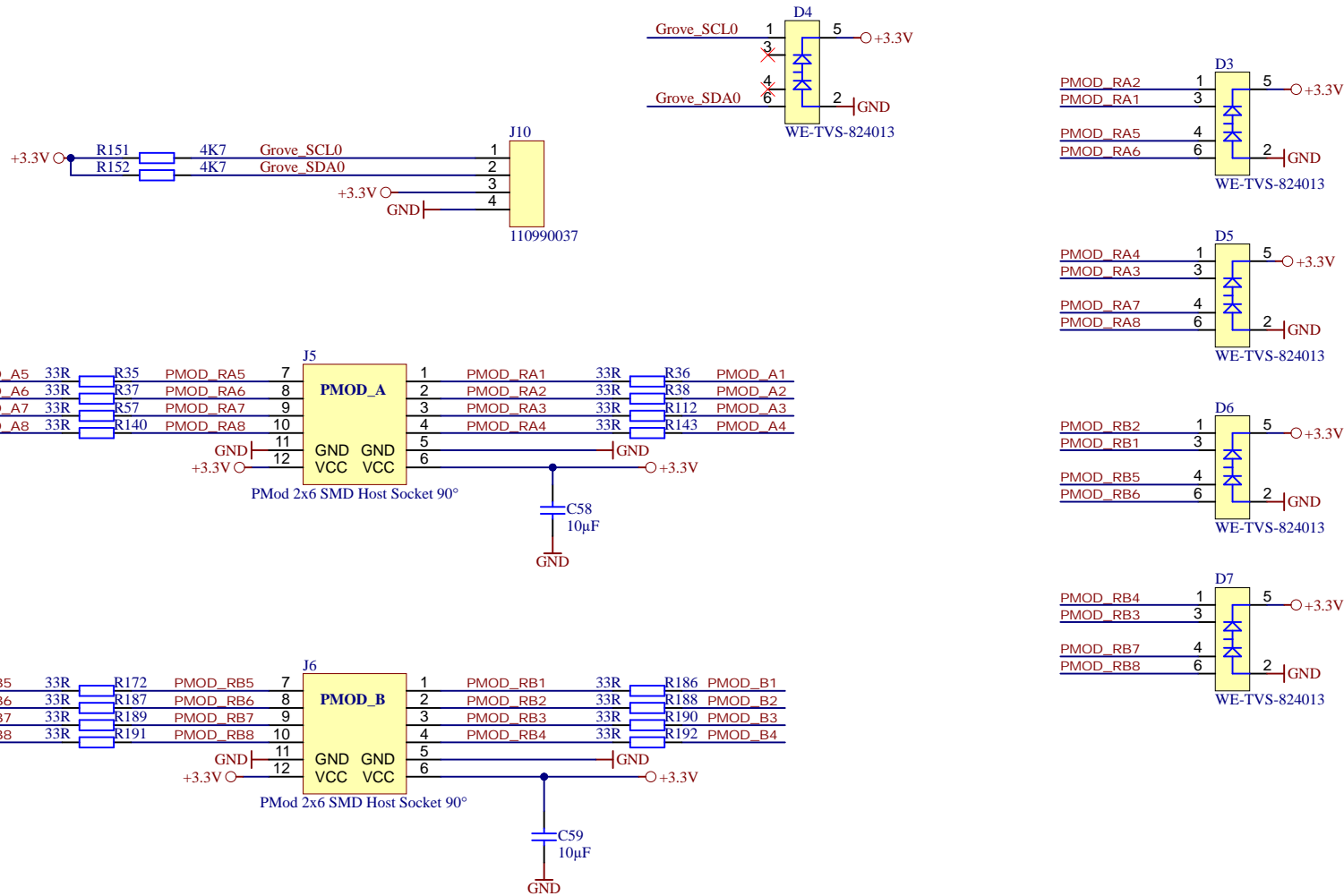
B


C

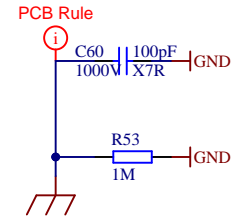
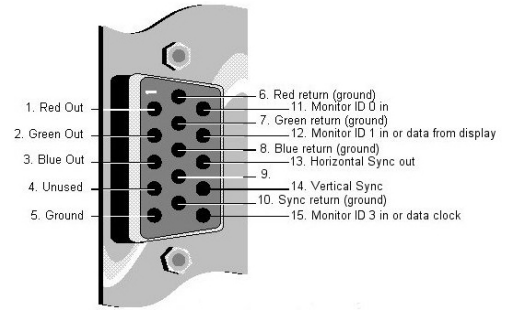
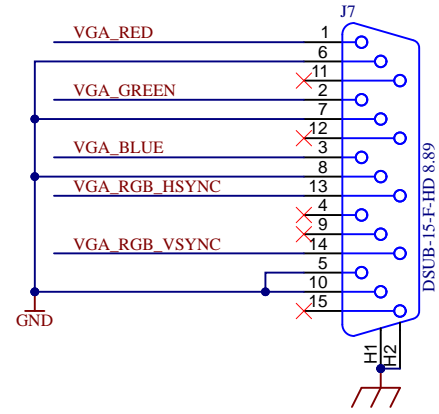
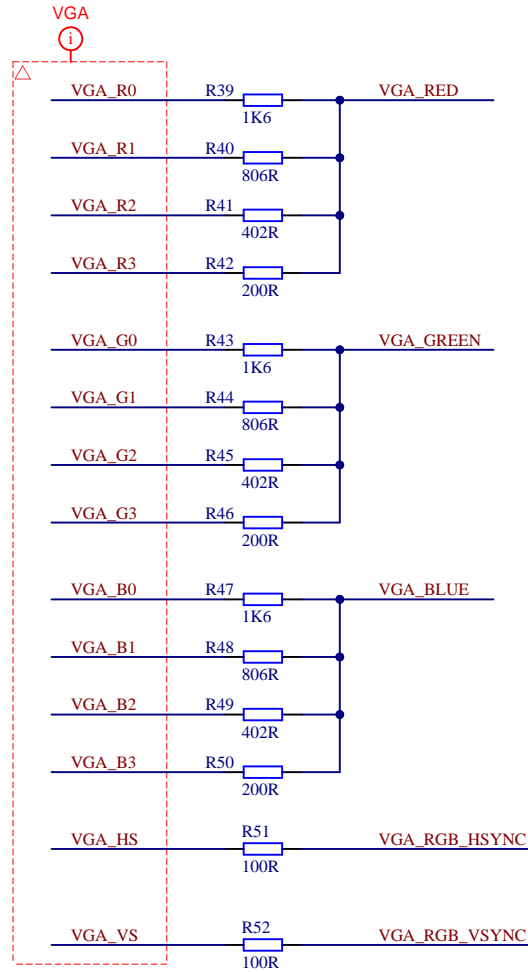
D



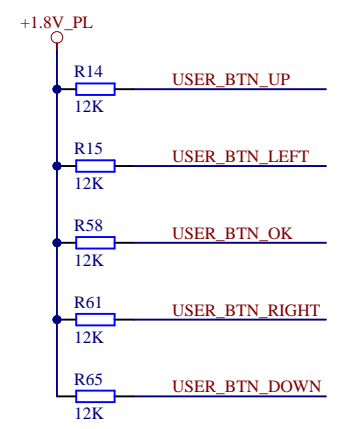
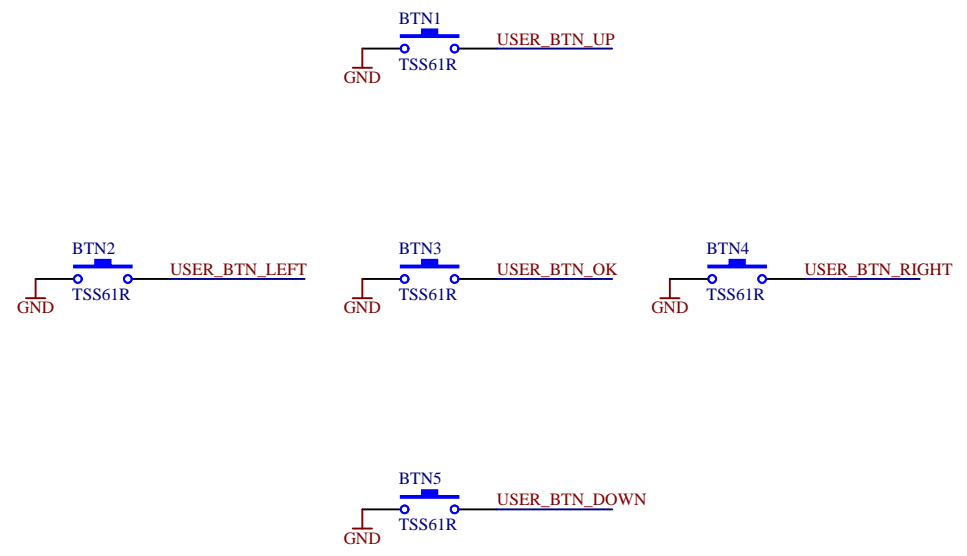
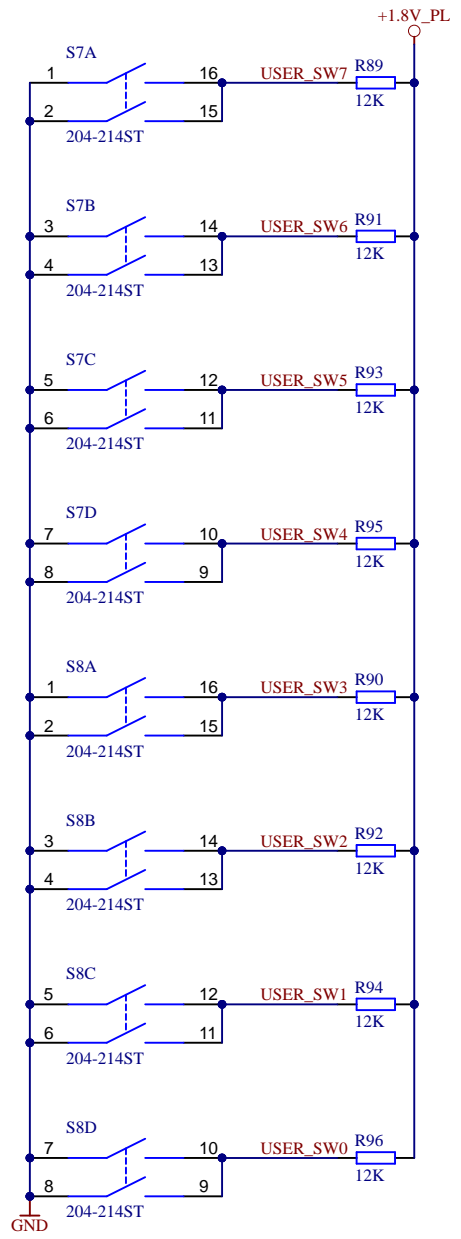
			Title: Ethernet	
			A4	Number: TE0802-02 1AEV2-A
Date: 2019-05-20		Copyright: Trenz Electronic GmbH		Page 13 of 25
Drawn by: IG		Filename: Ethernet.SchDoc		




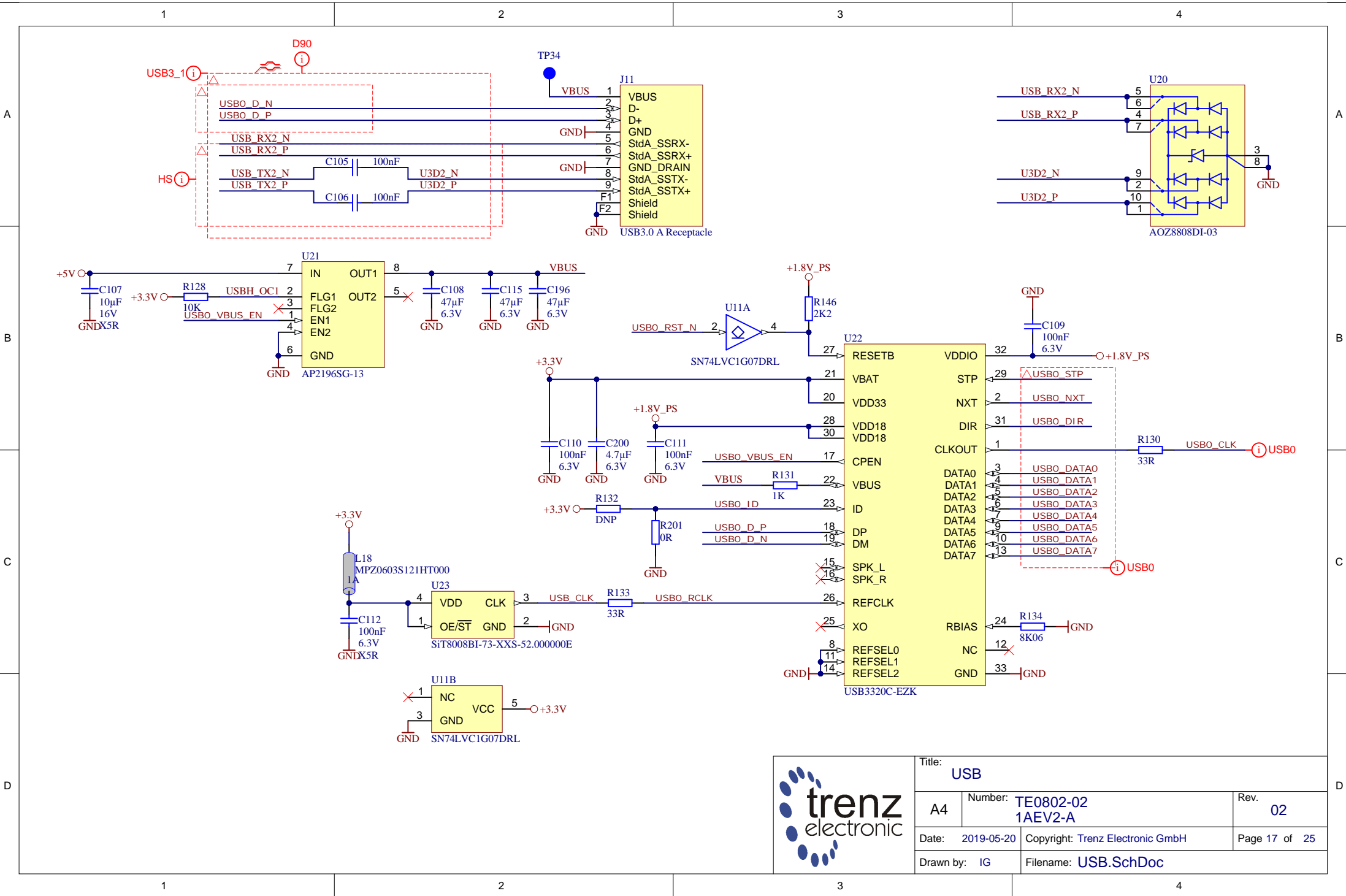
			Title: PMODs	
			A4	Number: TE0802-02 1AEV2-A
Date: 2019-05-20		Copyright: Trenz Electronic GmbH		Page 14 of 25
Drawn by: IG		Filename: PMODs.SchDoc		




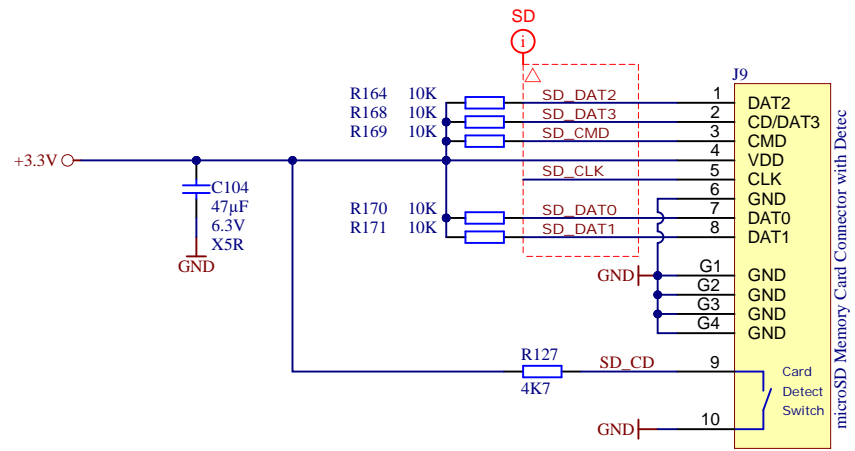
	Title: VGA_OUT		
	A4	Number: TE0802-02 1AEV2-A	Rev. 02
	Date: 2019-05-20	Copyright: Trenz Electronic GmbH	Page 15 of 25
	Drawn by: IG	Filename: VGA_OUT.SchDoc	




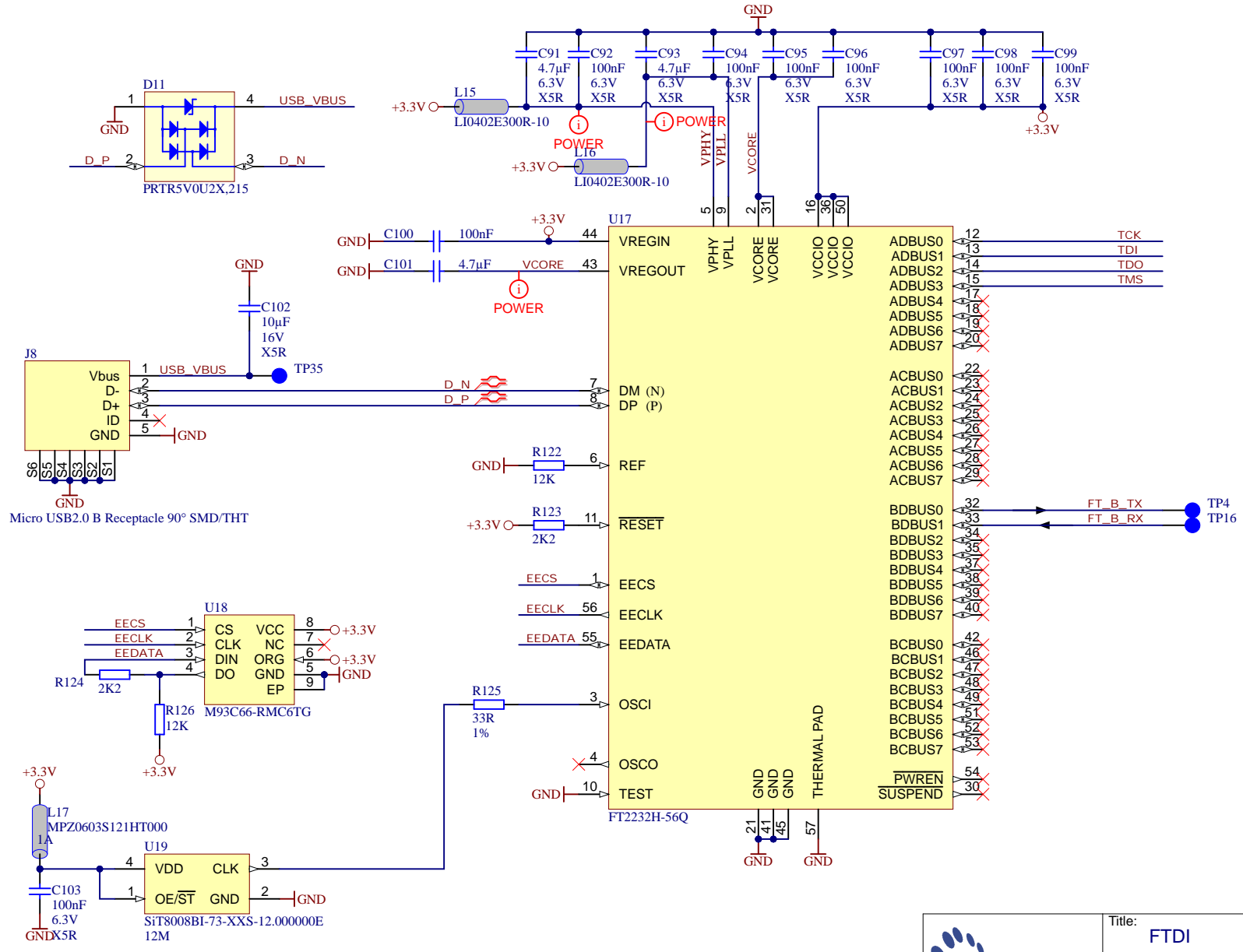
			Title: Switches_Buttons		
			A4	Number: TE0802-02 1AEV2-A	Rev. 02
Date: 2019-05-20		Copyright: Trenz Electronic GmbH		Page 16 of 25	
Drawn by: IG		Filename: Switches_Buttons.SchDoc			



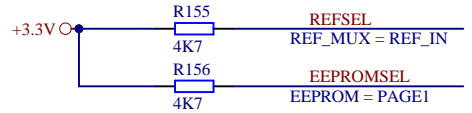
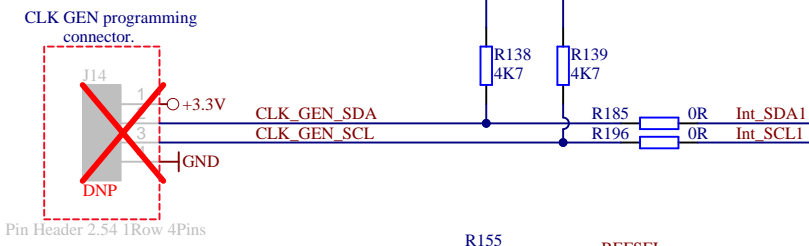
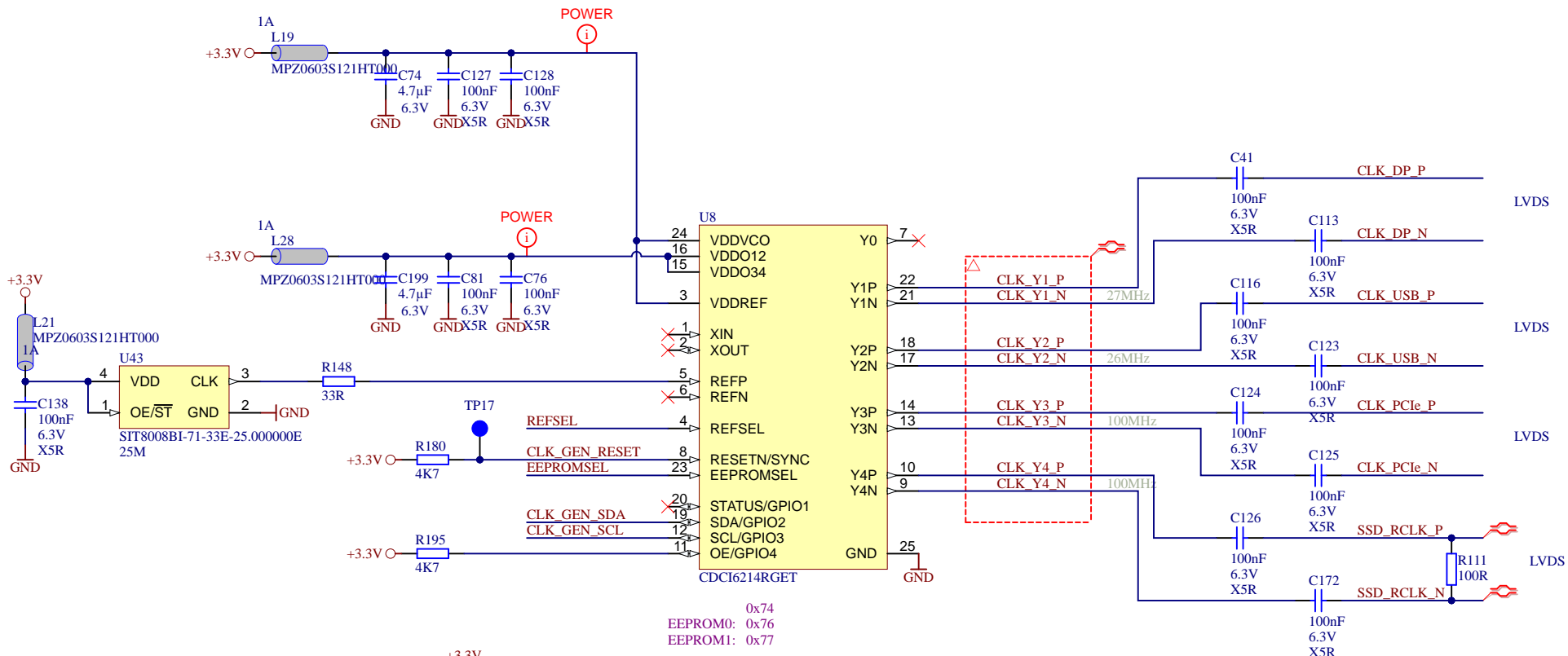
			Title: USB	
			A4	Number: TE0802-02 1AEV2-A
Date: 2019-05-20		Copyright: Trenz Electronic GmbH		Page 17 of 25
Drawn by: IG		Filename: USB.SchDoc		



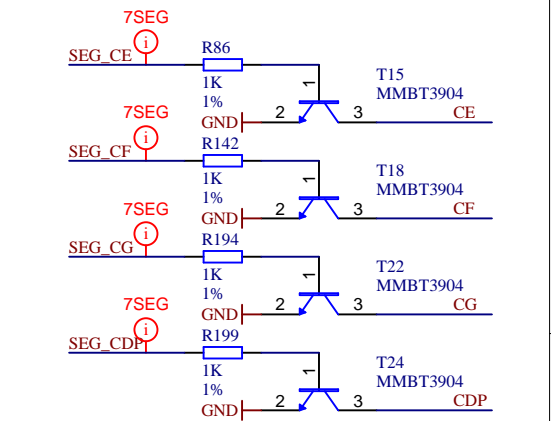
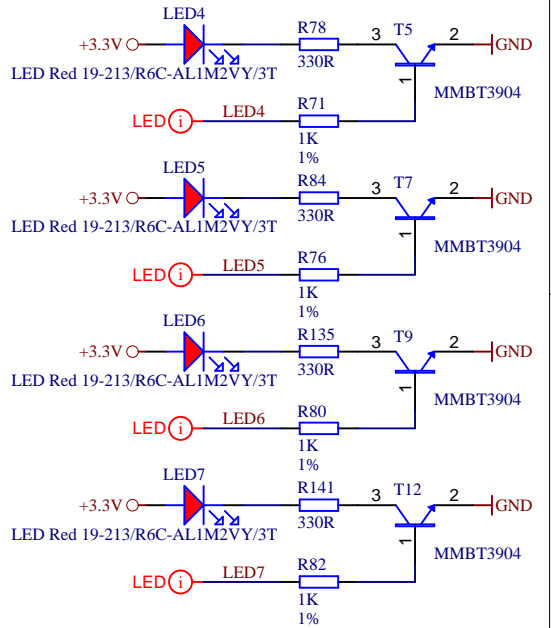
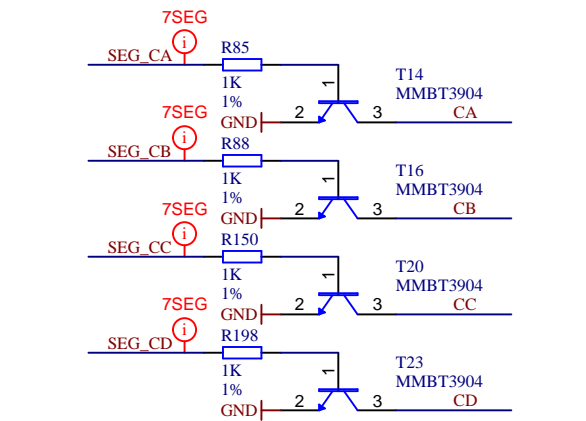
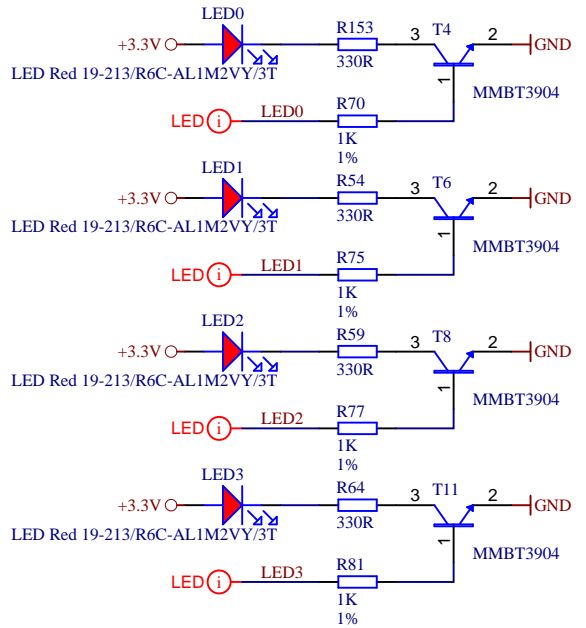
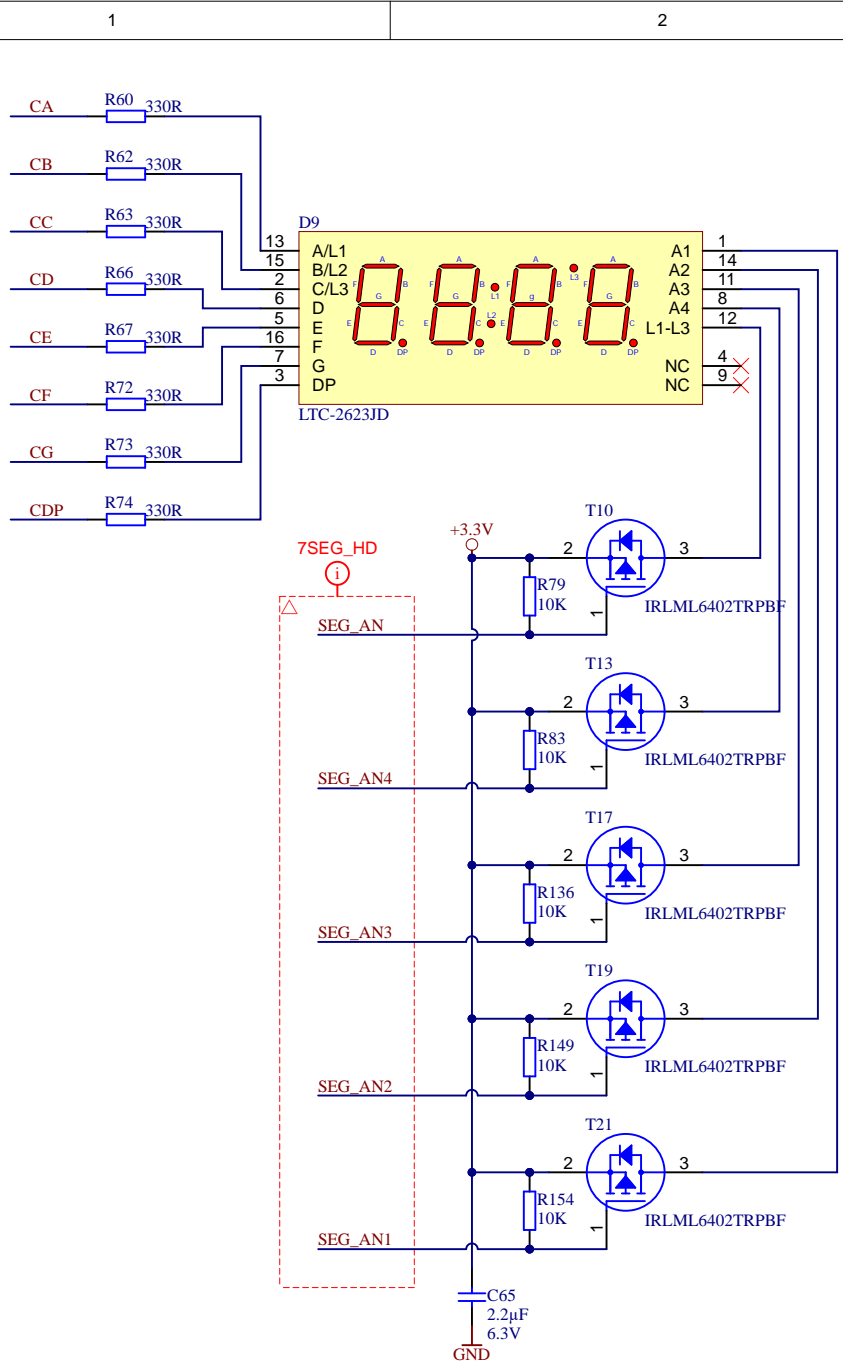
		Title: SD	
		A4	Number: TE0802-02 1AEV2-A
Date: 2019-05-20		Copyright: Trenz Electronic GmbH	
Page 18 of 25		Filename: SD.SchDoc	
Drawn by: IG			




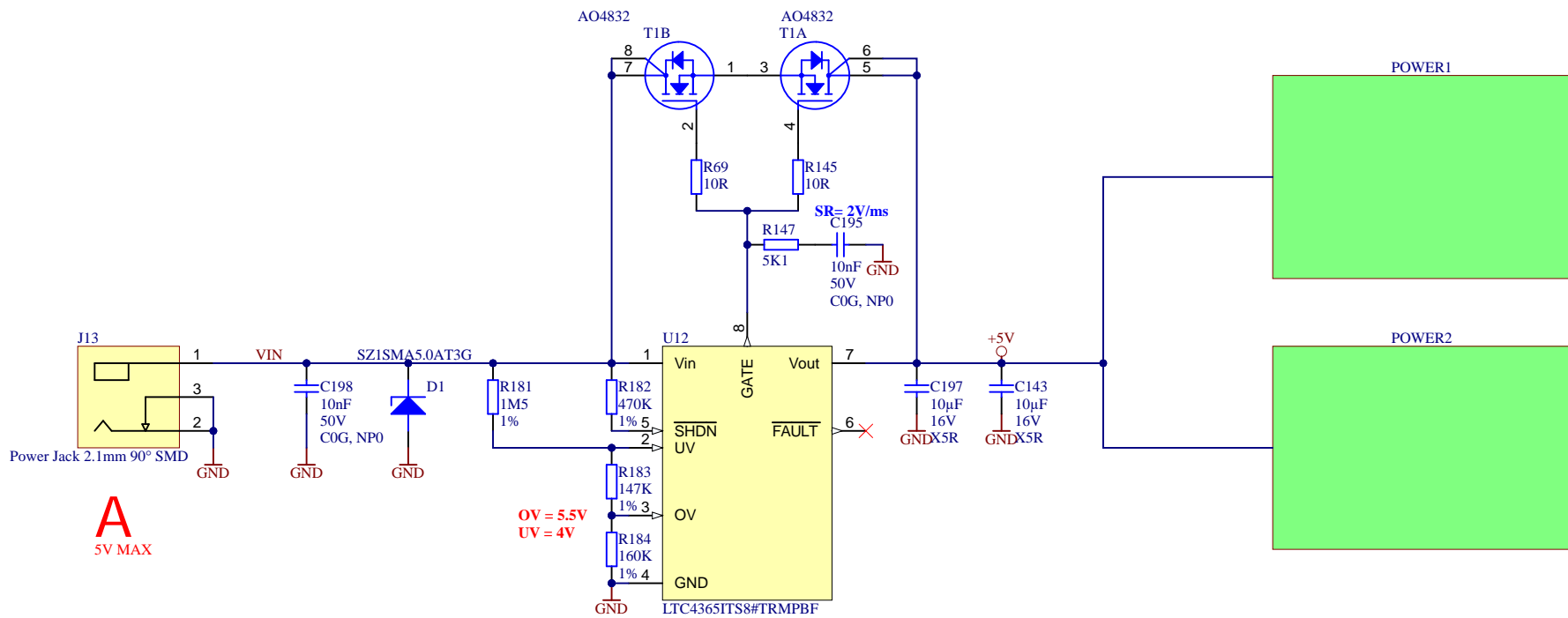
Title: FTDI		
A4	Number: TE0802-02 1AEV2-A	Rev. 02
Date: 2019-05-20	Copyright: Trenz Electronic GmbH	
Page 19 of 25	Page 19 of 25	
Drawn by: IG	Filename: FTDI.SchDoc	




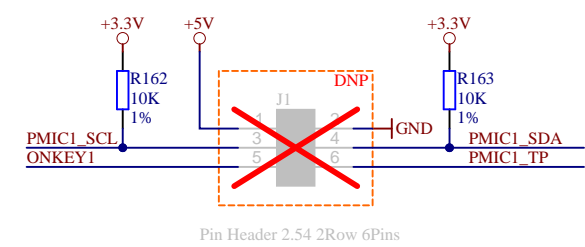
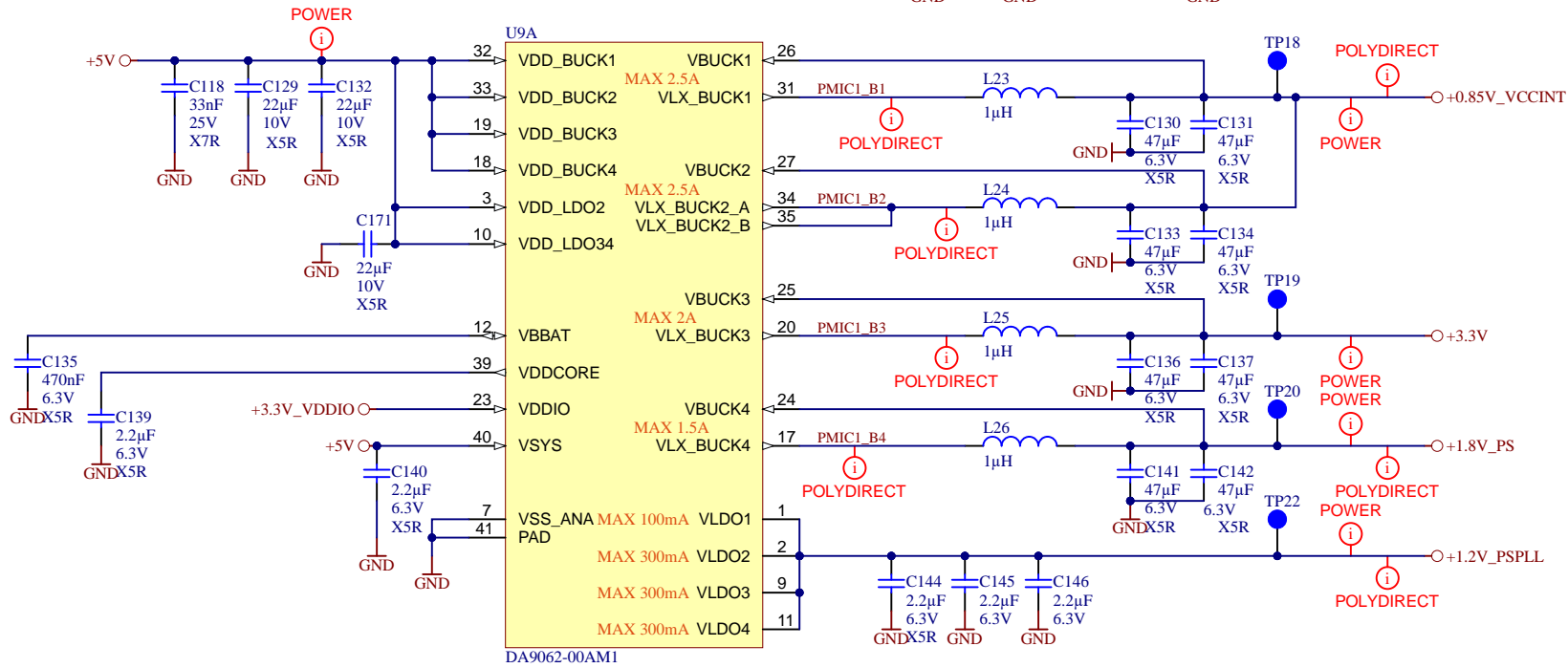
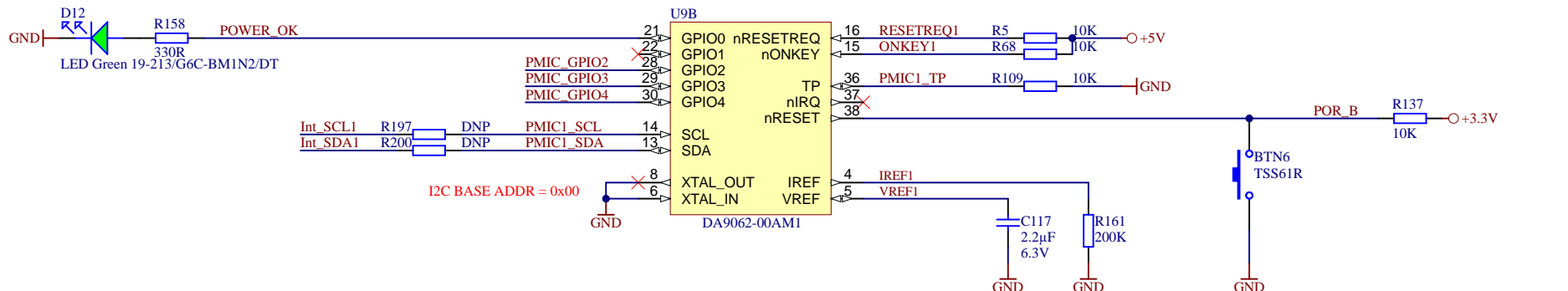
Title: Clock		
A4	Number: TE0802-02 1AEV2-A	Rev. 02
Date: 2019-05-20	Copyright: Trenz Electronic GmbH / TT	Page 20 of 25
Drawn by: IG	Filename: Clock.SchDoc	



			Title: LEDs	
			A4	Number: TE0802-02 1AEV2-A
Date: 2019-05-20		Copyright: Trenz Electronic GmbH		Page 21 of 25
Drawn by: IG		Filename: LEDs.SchDoc		



	Title: POWER		
	A4	Number: TE0802-02 1AEV2-A	Rev. 02
	Date: 2019-05-20	Copyright: Trenz Electronic GmbH / TT	Page 22 of 25
	Drawn by: IG	Filename: POWER.SchDoc	



Title: POWER1		
A4	Number: TE0802-02 1AEV2-A	Rev. 02
Date: 2019-05-20	Copyright: Trenz Electronic GmbH / TT	Page 23 of 25
Drawn by: IG	Filename: POWER1.SchDoc	

1

2

3

4

A

A

B

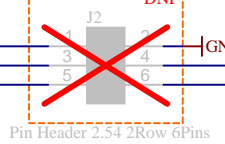
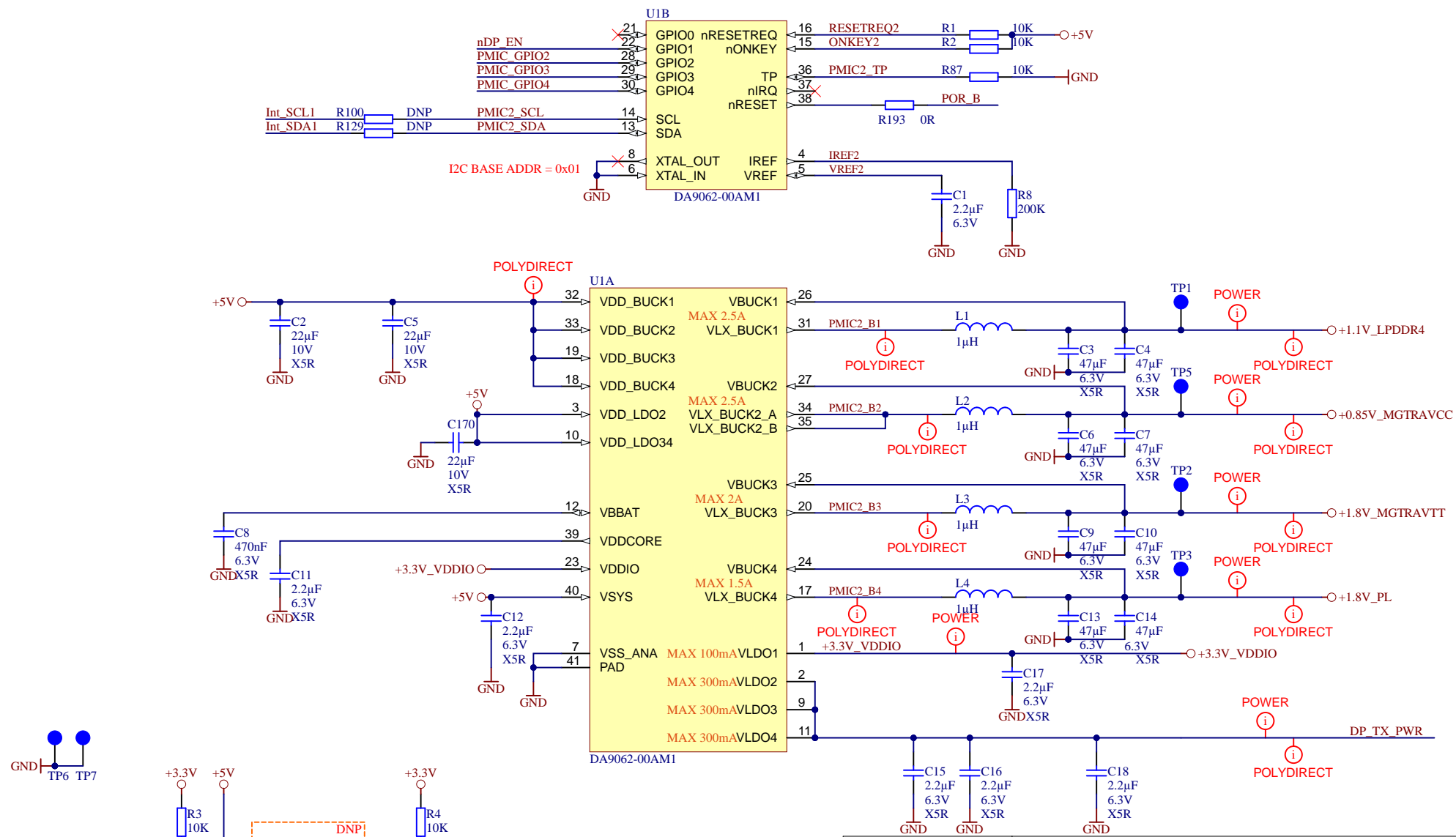
B

C

C

D

D



Title: POWER2		
A4	Number: TE0802-02 1AEV2-A	Rev. 02
Date: 2019-05-20	Copyright: Trenz Electronic GmbH / TT	Page 24 of 25
Drawn by: IG	Filename: POWER2.SchDoc	

1

2

3

4

