

1

2

3

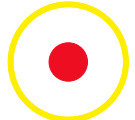





4

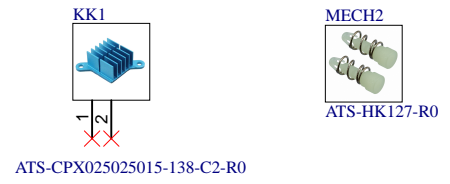
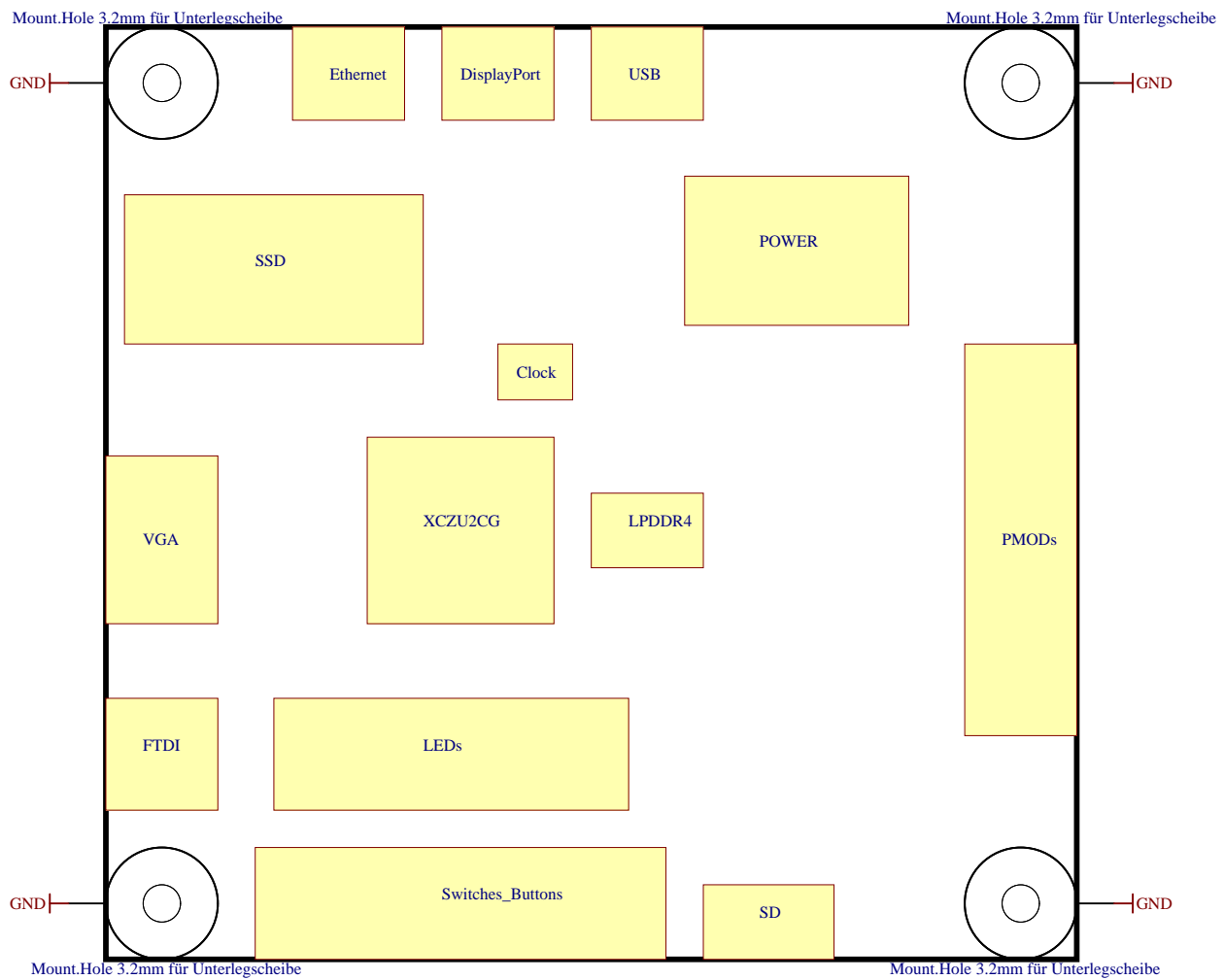
A

B

C

D

- PM1

FIDU-DOT - small
- PM2

FIDU-DOT - small
- PM3

FIDU-DOT - small
- PM4

FIDU-DOT - small
- PM6

FIDU-DOT - small
- PM5

FIDU-DOT - small



Assembly variant	2AEU2-A
Created by	VY
Modified by	VT
Modified at	2019-08-02
SVN Revision	Unknown revision

Serial1
Serial
Serialnumber 6,3 x 6,3mm

LOGO1
TE Logo PRINT Layer
LOGO PRINT

MISC1
Digilent Serialnumber
Digilent_SN



Title: TE0802		
A4	Number: TE0802-02 2AEU2-A	Rev. 02
Date: 2019-05-20	Copyright: Trenz Electronic GmbH	Page 1 of 25
Drawn by: IG	Filename: TE0802.schdoc	

1

2

3

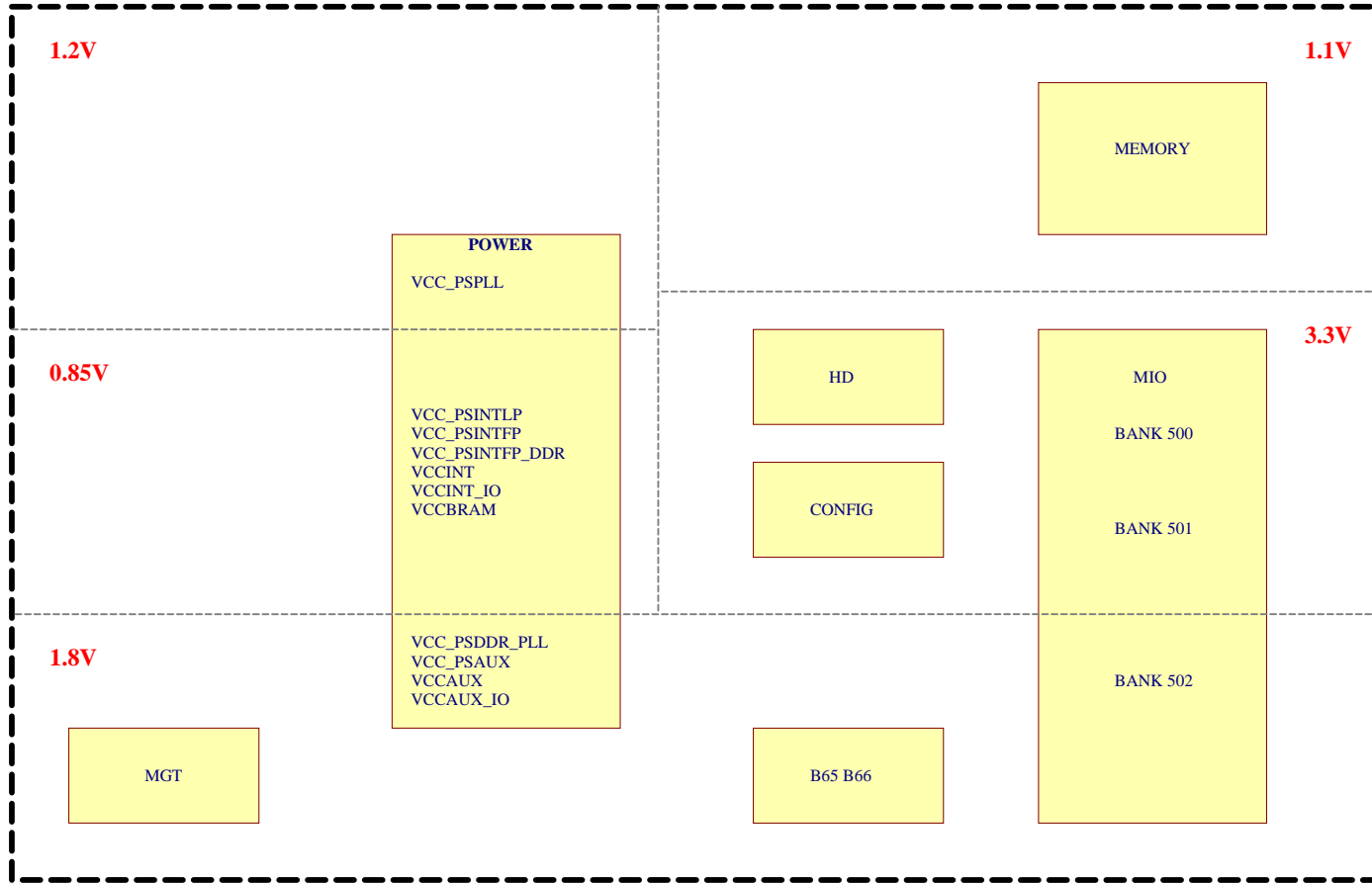
4


A

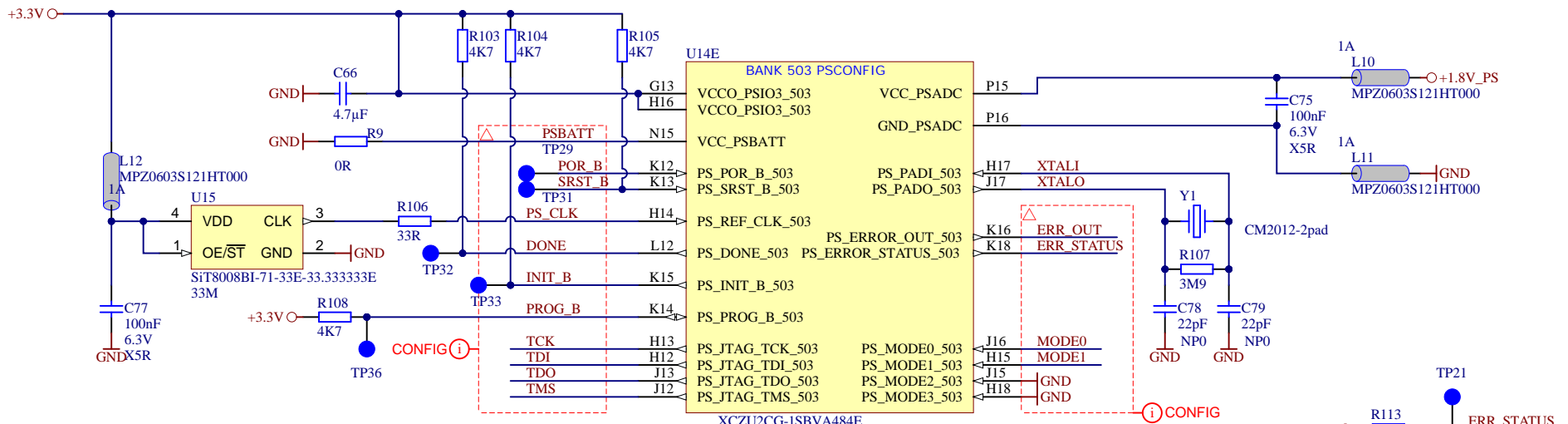
B

C

D

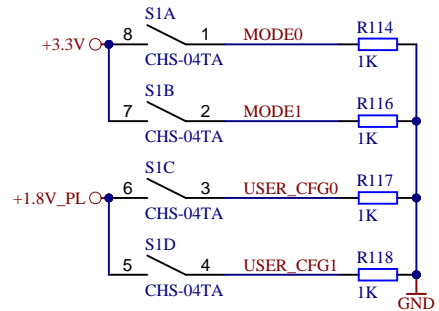
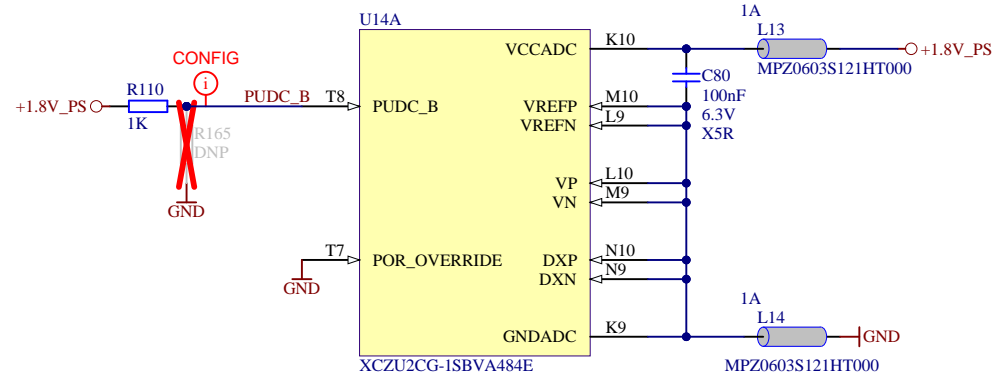


	Title: XZU2CG		
	A4	Number: TE0802-02 2AEU2-A	Rev. 02
	Date: 2019-05-20	Copyright: Trenz Electronic GmbH	Page 2 of 25
	Drawn by: IG	Filename: XZU2CG.SchDoc	

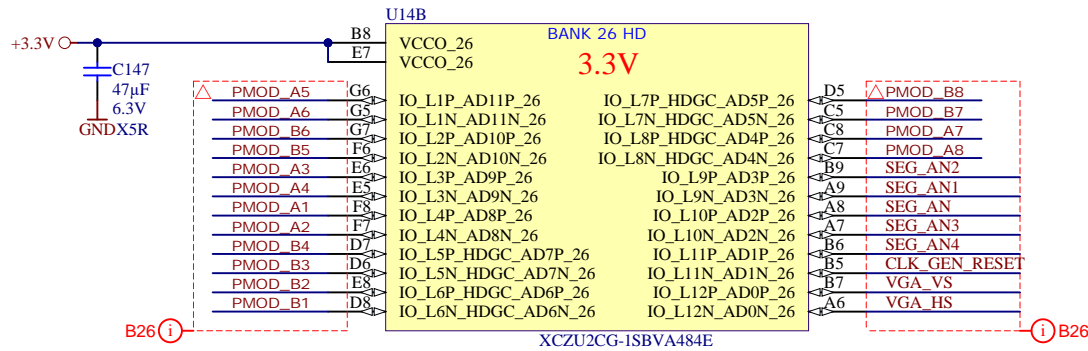



TP23 PSBATT
 Testpoint 0.9mm THT
 TP24
 GND
 Testpoint 0.8mm THT

	MODE [1:0]
JTAG	00
QSPI(24b)	01
QSPI(32b)	10
SD0(2.0)	11



Title: XCZU2CG_Config		
A4	Number: TE0802-02 2AEU2-A	Rev. 02
Date: 2019-05-20	Copyright: Trenz Electronic GmbH	Page 3 of 25
Drawn by: IG	Filename: XCZU2CG_Config.SchDoc	



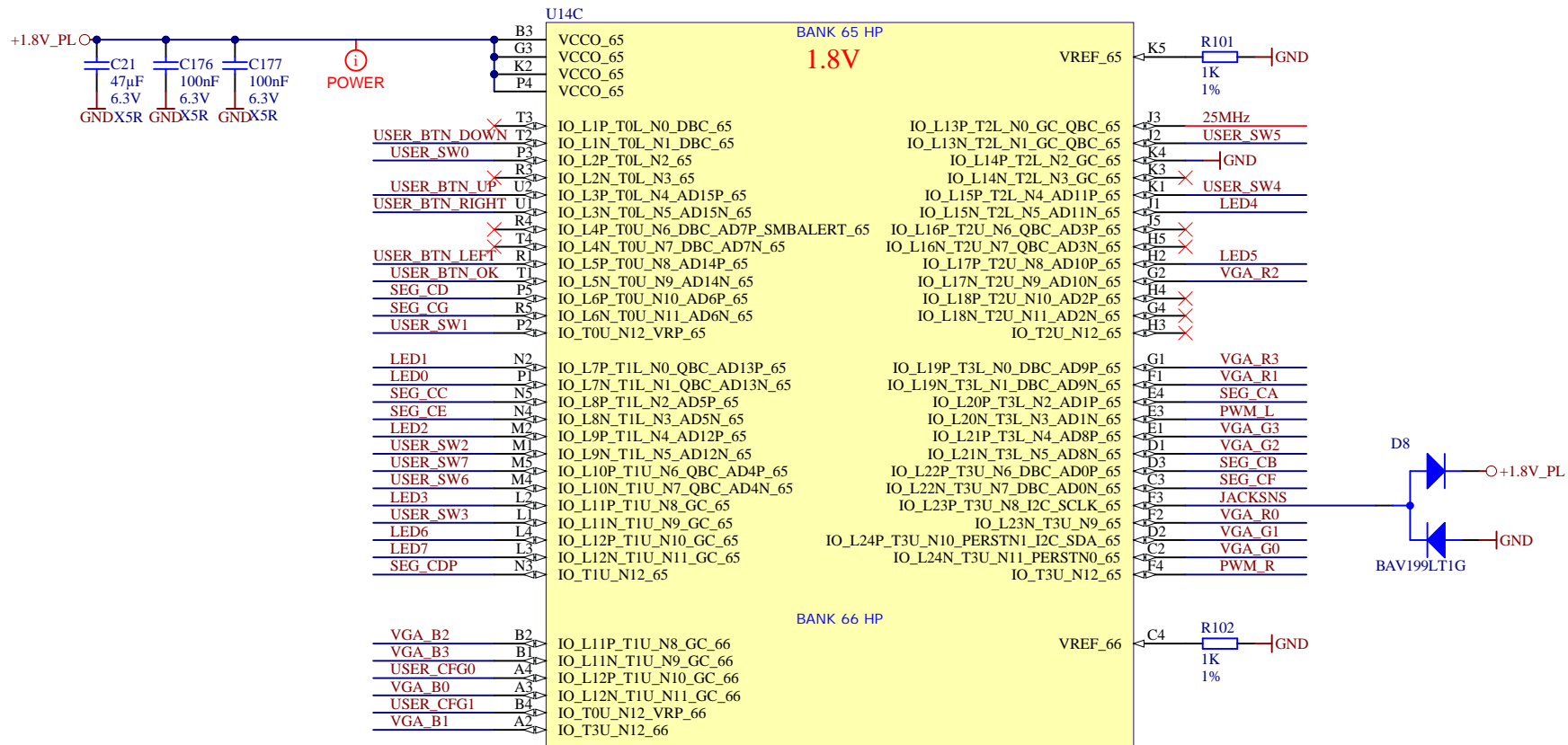
	Title: XCZU2CG_HD		
	A4	Number: TE0802-02 2AEU2-A	Rev. 02
	Date: 2019-05-20	Copyright: Trenz Electronic GmbH	Page 4 of 25
	Drawn by: IG	Filename: XCZU2CG_HD.SchDoc	

1

2

3

4



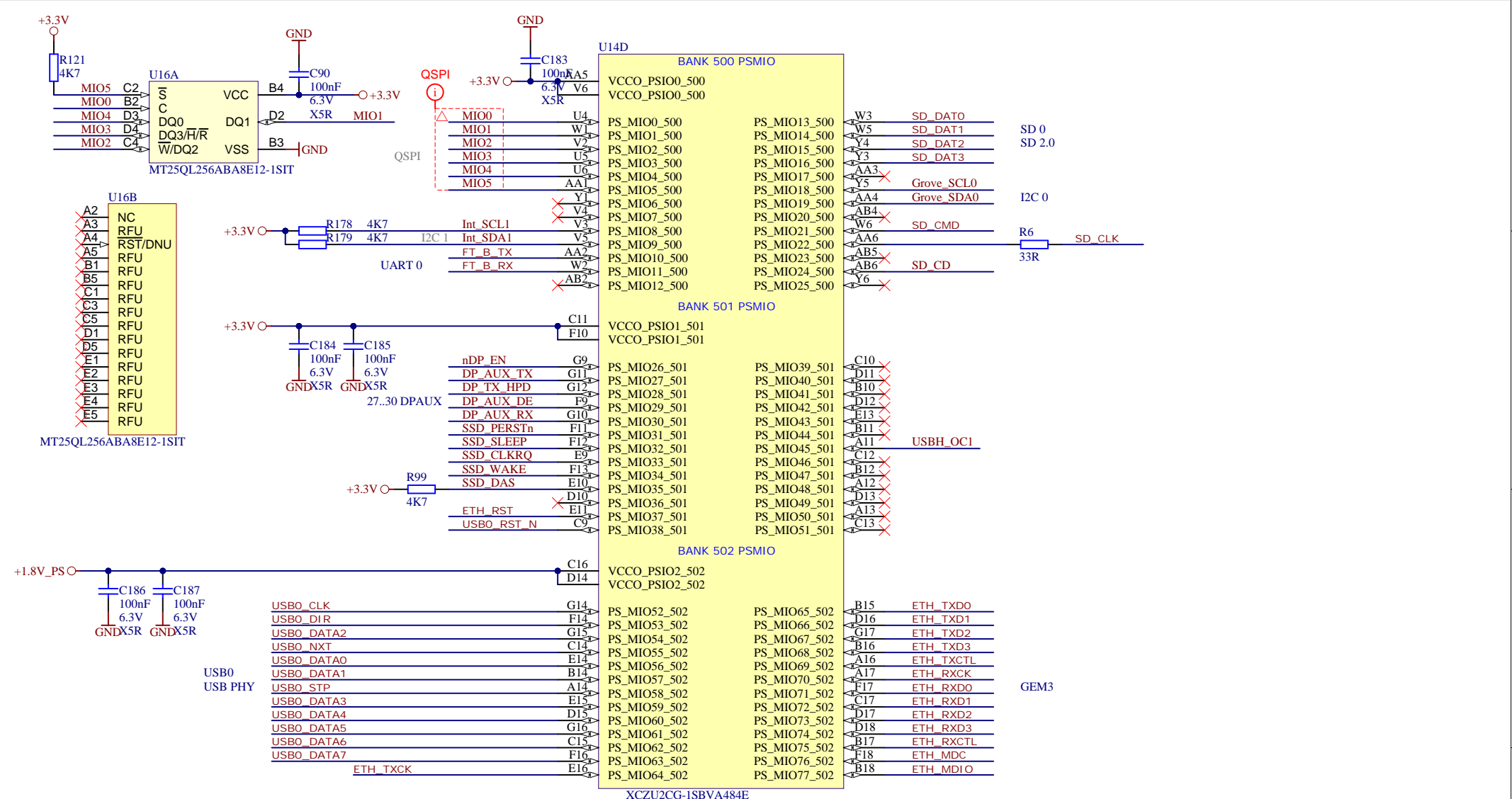
Title: XCZU2CG_B65_B66		
A4	Number: TE0802-02 2AEU2-A	Rev. 02
Date: 2019-05-20	Copyright: Trenz Electronic GmbH	Page 5 of 25
Drawn by: IG	Filename: XCZU2CG_B65_B66.SchDoc	

1

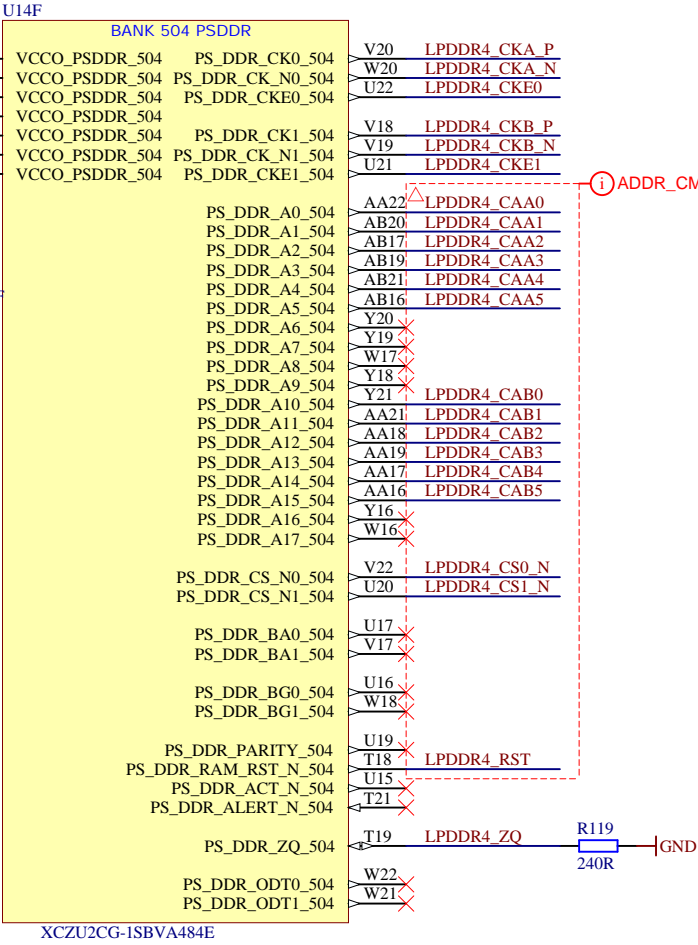
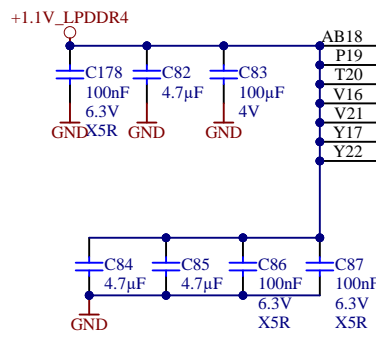
2

3

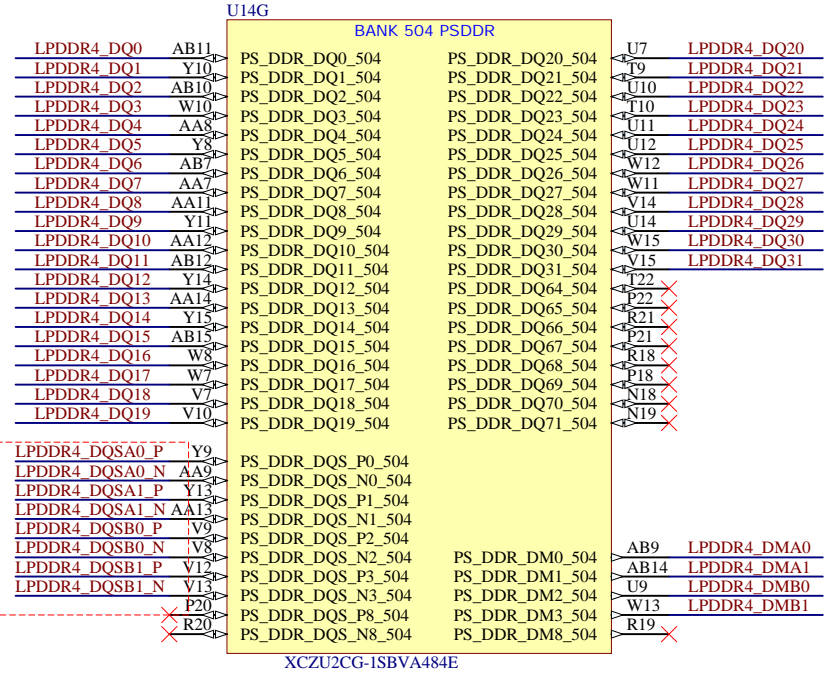
4



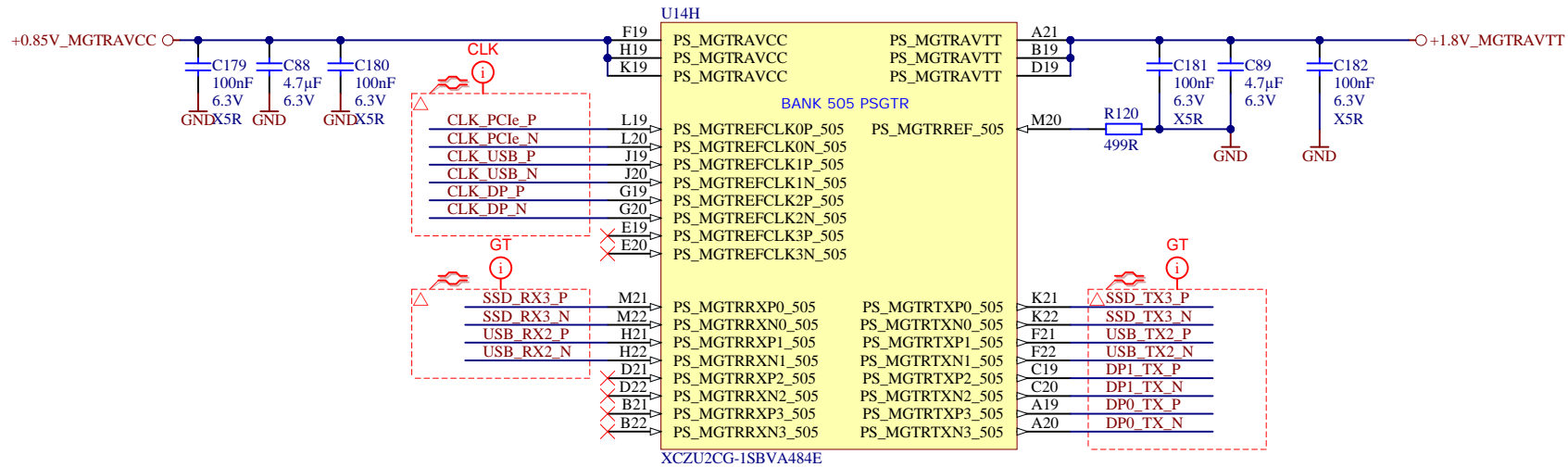
Title: XZU2CG_MIO		
A4	Number: TE0802-02 2AEU2-A	Rev. 02
Date: 2019-05-20	Copyright: Trenz Electronic GmbH	Page 6 of 25
Drawn by: IG	Filename: XZU2CG_MIO.SchDoc	



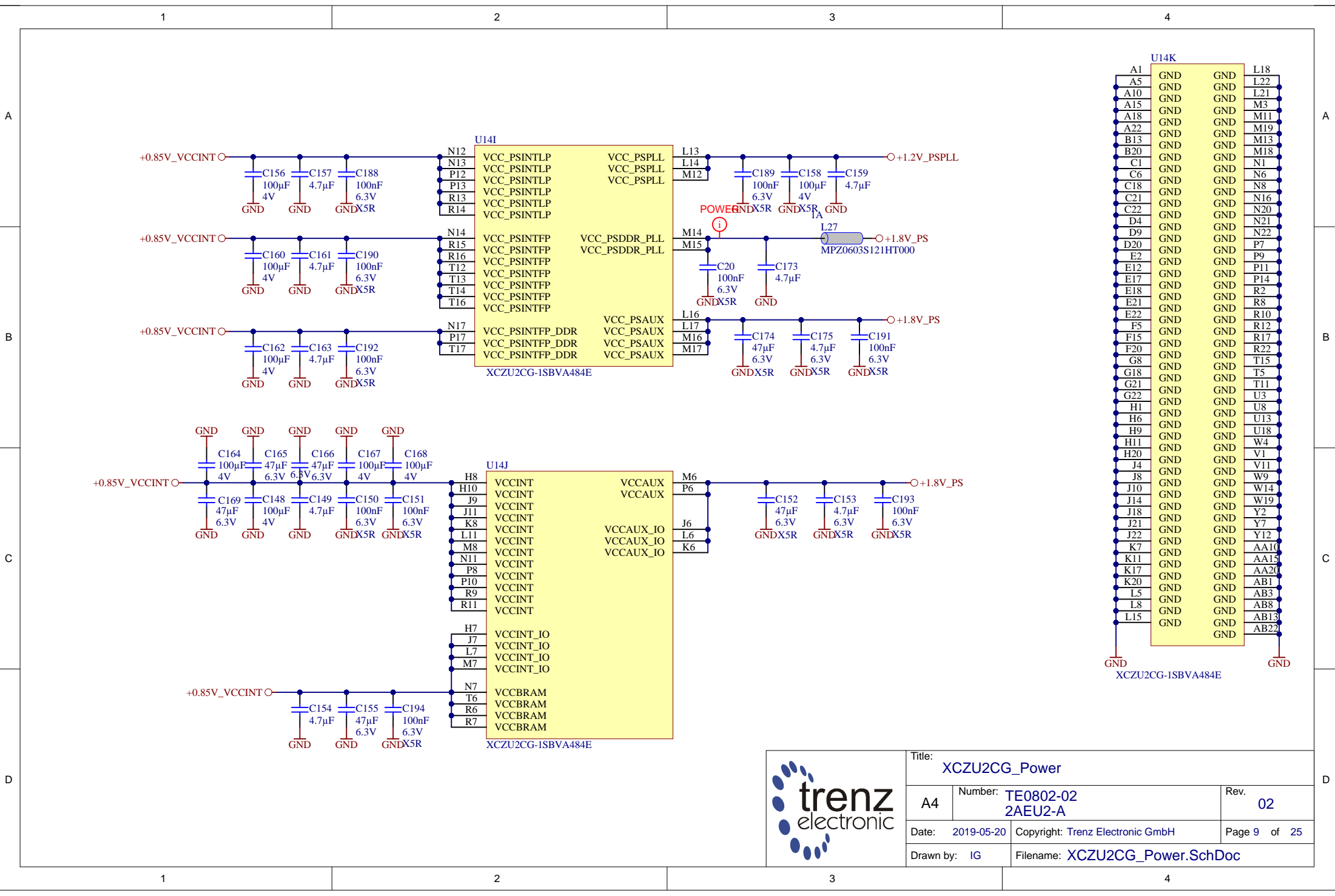
ADDR_CMD_CTL



Title: XCZU2CG_Memory		
A4	Number: TE0802-02 2AEU2-A	Rev. 02
Date: 2019-05-20	Copyright: Trenz Electronic GmbH	Page 7 of 25
Drawn by: IG	Filename: XCZU2CG_Memory.SchDoc	




	Title: XCZU2CG_MGT		
	A4	Number: TE0802-02 2AEU2-A	Rev. 02
	Date: 2019-05-20	Copyright: Trenz Electronic GmbH	Page 8 of 25
	Drawn by: IG	Filename: XCZU2CG_MGT.SchDoc	



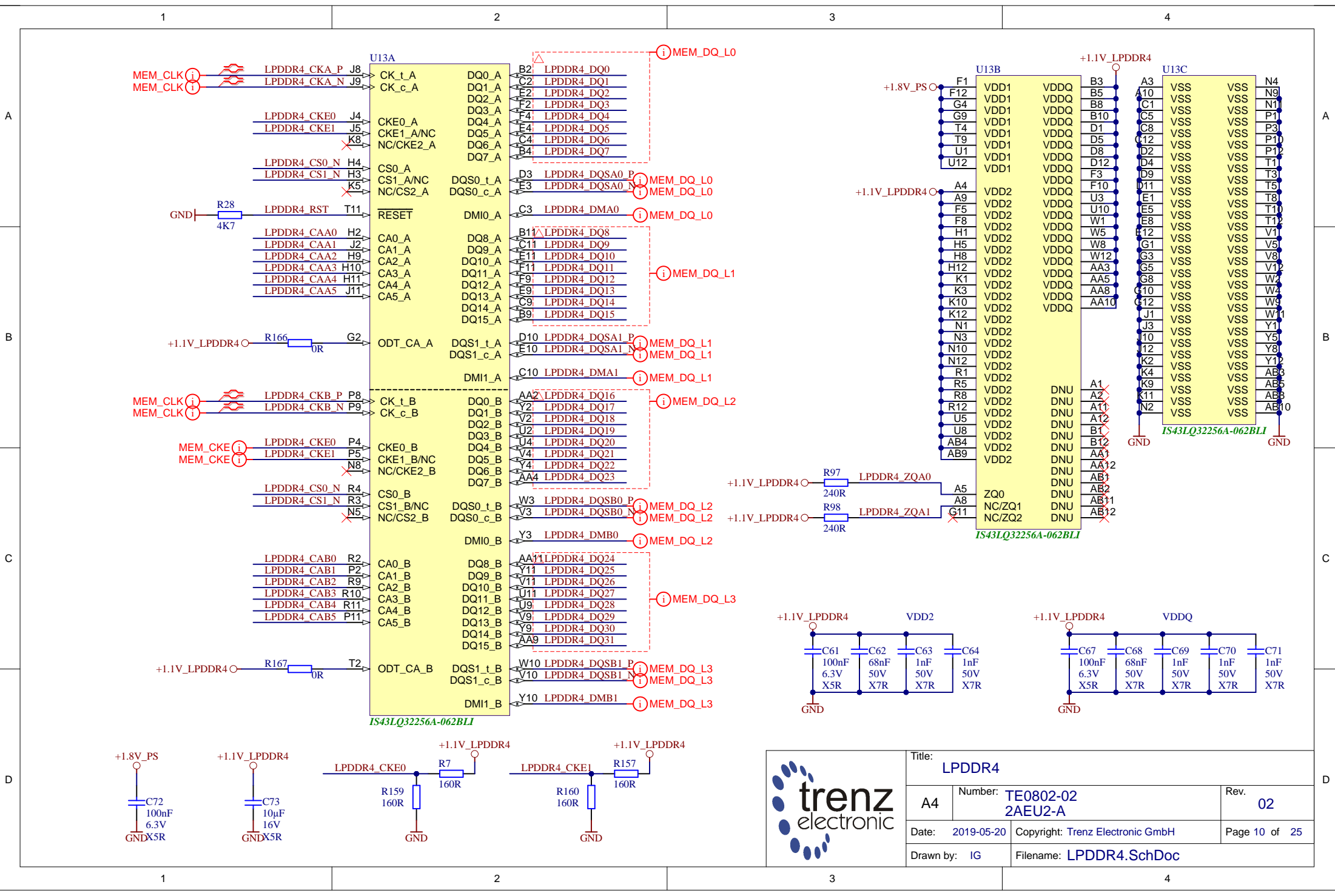
U14K

A1	GND	GND	L18
A5	GND	GND	L22
A10	GND	GND	L21
A15	GND	GND	M3
A18	GND	GND	M11
A22	GND	GND	M19
B13	GND	GND	M13
B20	GND	GND	M18
C1	GND	GND	N1
C6	GND	GND	N6
C18	GND	GND	N8
C21	GND	GND	N16
C22	GND	GND	N20
D4	GND	GND	N21
D9	GND	GND	N22
D20	GND	GND	P7
E2	GND	GND	P9
E12	GND	GND	P11
E17	GND	GND	P14
E18	GND	GND	R2
E21	GND	GND	R8
E22	GND	GND	R10
F5	GND	GND	R12
F15	GND	GND	R17
F20	GND	GND	R22
G8	GND	GND	T5
G18	GND	GND	T5
G21	GND	GND	T11
G22	GND	GND	U3
H1	GND	GND	U8
H6	GND	GND	U13
H9	GND	GND	U18
H11	GND	GND	W4
H20	GND	GND	V1
J4	GND	GND	V11
J8	GND	GND	W9
J10	GND	GND	W14
J14	GND	GND	W19
J18	GND	GND	Y2
J21	GND	GND	Y7
J22	GND	GND	Y12
K7	GND	GND	AA10
K11	GND	GND	AA15
K17	GND	GND	AA20
K20	GND	GND	AB1
L5	GND	GND	AB3
L8	GND	GND	AB8
L15	GND	GND	AB13
	GND	GND	AB22

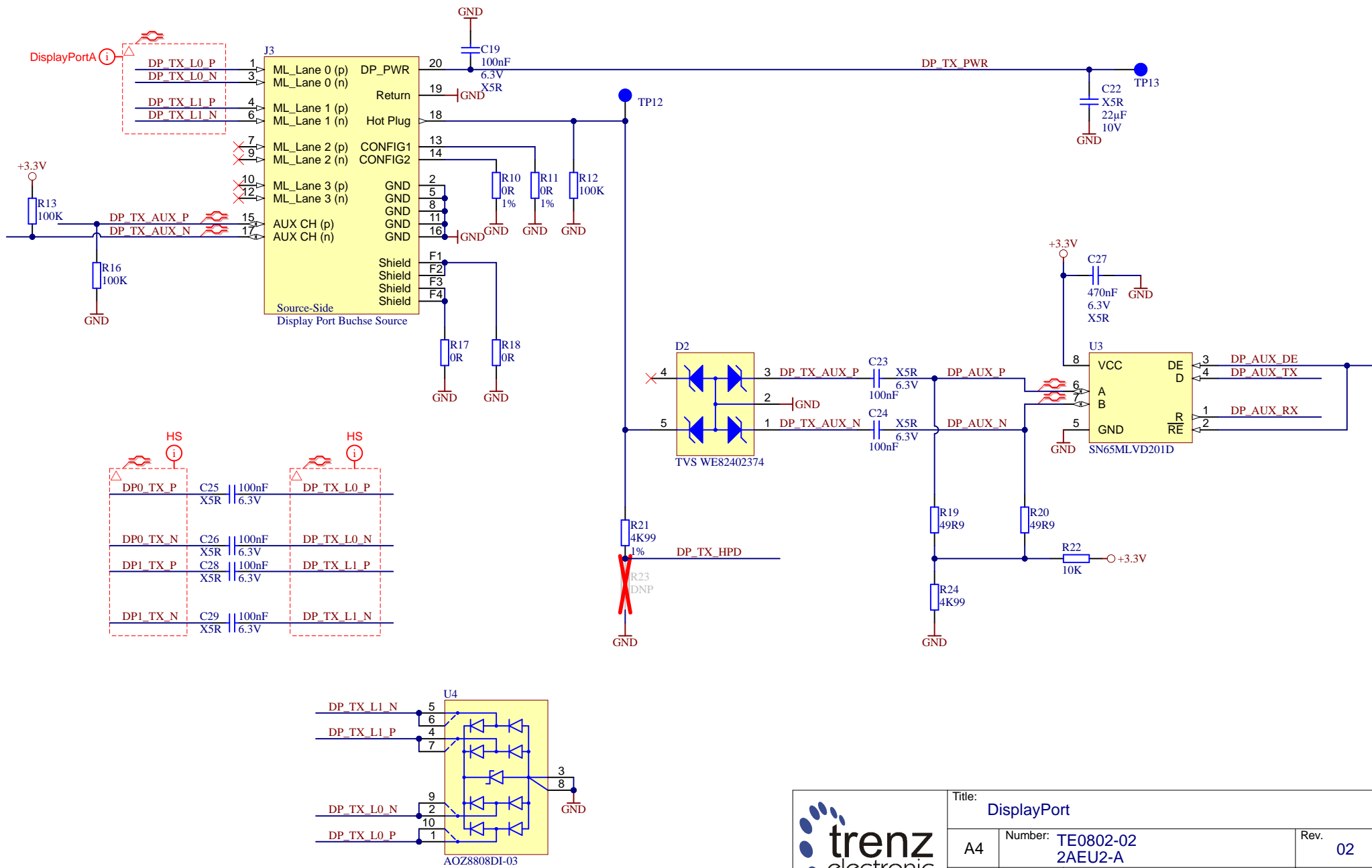
XCZU2CG-1SBVA484E




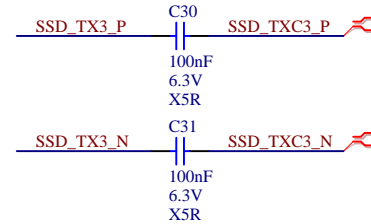
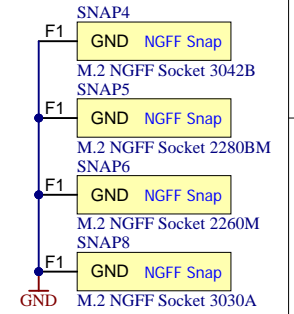
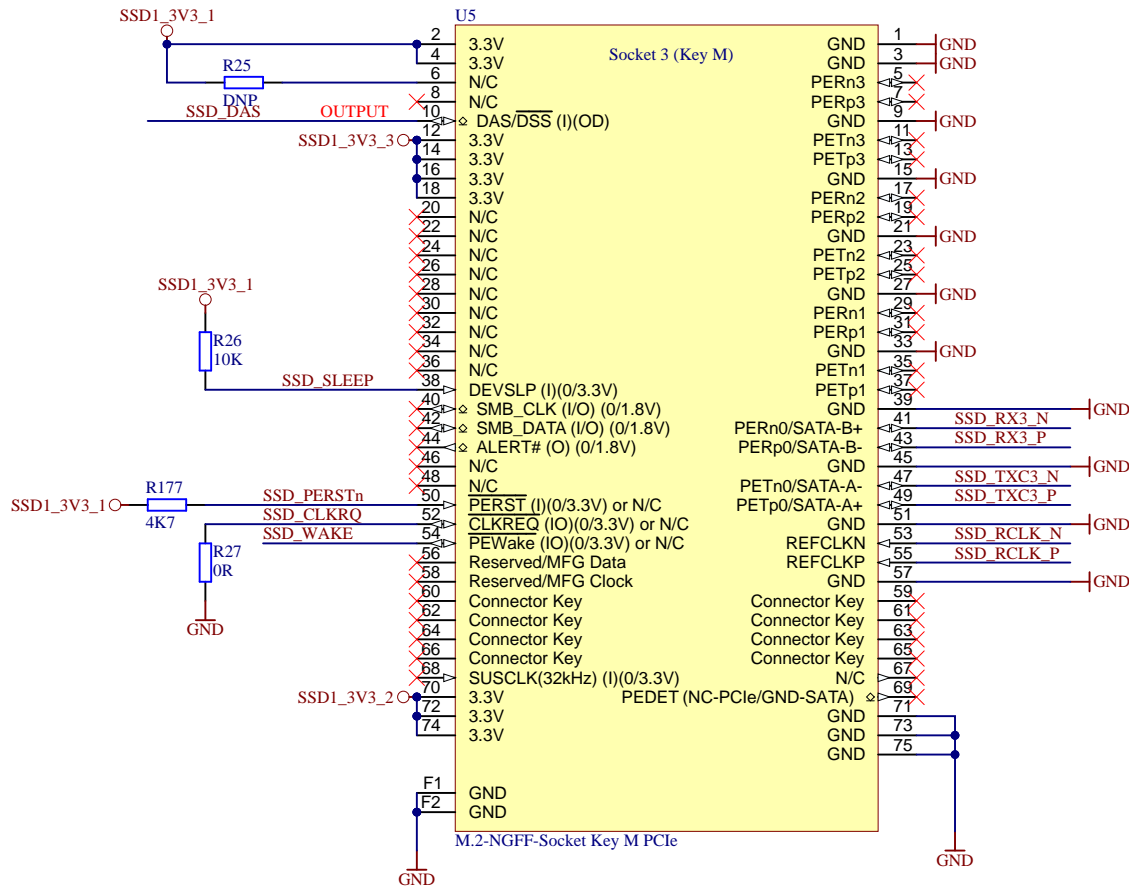
Title: XCZU2CG_Power		
A4	Number: TE0802-02 2AEU2-A	Rev. 02
Date: 2019-05-20	Copyright: Trenz Electronic GmbH	Page 9 of 25
Drawn by: IG	Filename: XCZU2CG_Power.SchDoc	



			Title: LPDDR4	
			A4	Number: TE0802-02 2AEU2-A
Date: 2019-05-20		Copyright: Trenz Electronic GmbH		Rev. 02
Page 10 of 25		Page 10 of 25		
Drawn by: IG		Filename: LPDDR4.SchDoc		

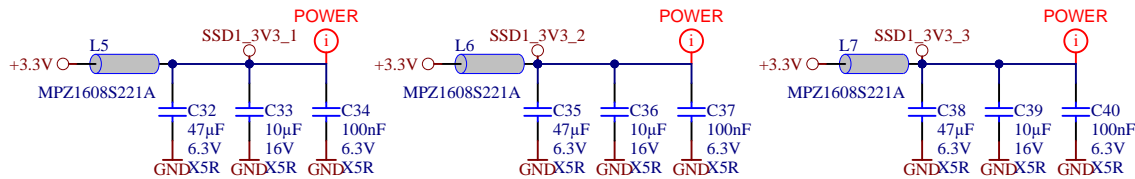



			Title: DisplayPort	
			A4	Number: TE0802-02 2AEU2-A
Date: 2019-05-20		Copyright: Trenz Electronic GmbH		Page 11 of 25
Drawn by: IG		Filename: DisplayPort.schdoc		



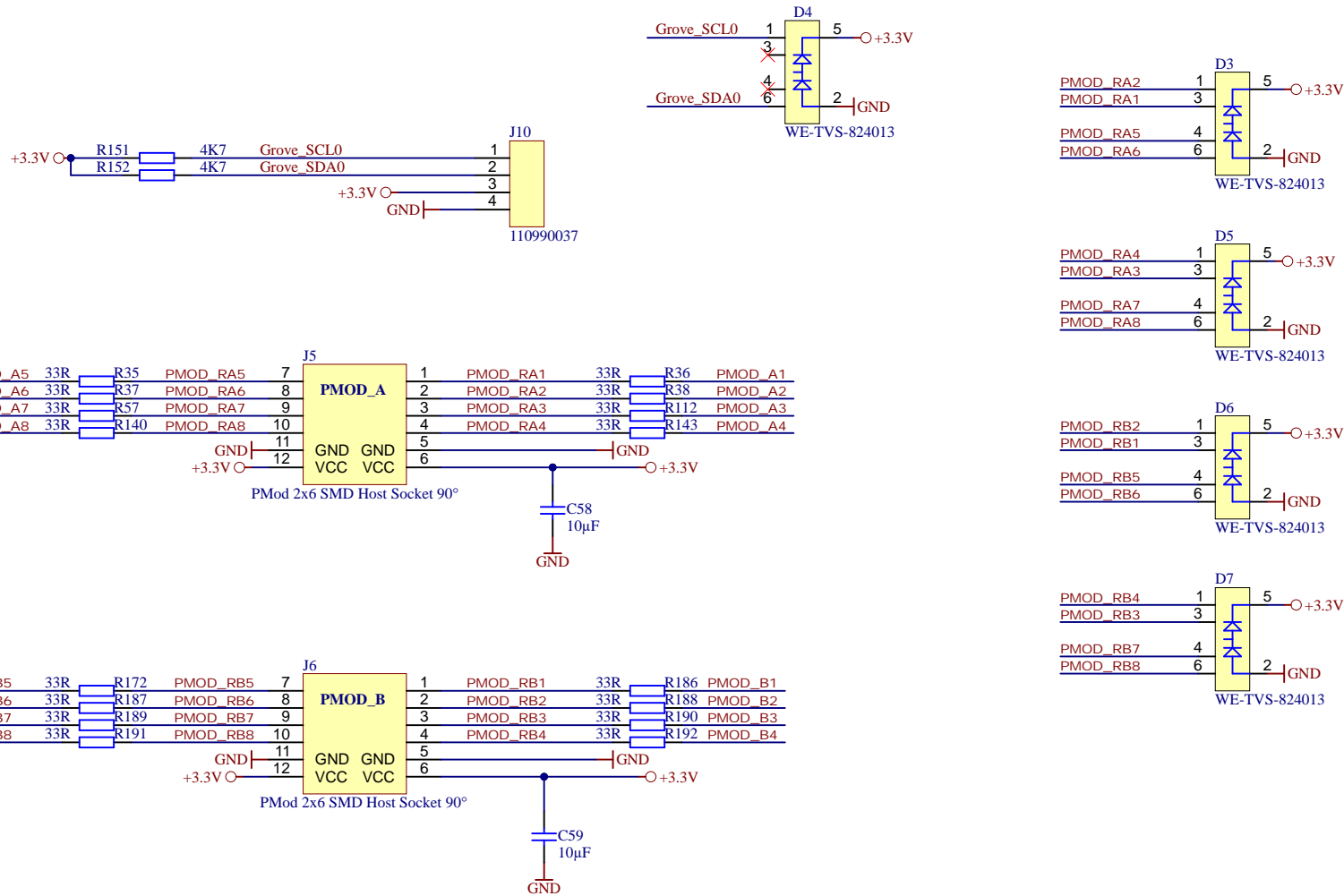
MECH1


 M.2 NGFF SMD-Abstandsbolzen - M3 - 1.5mm

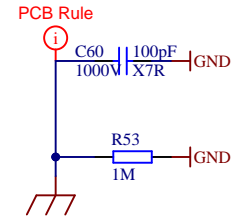
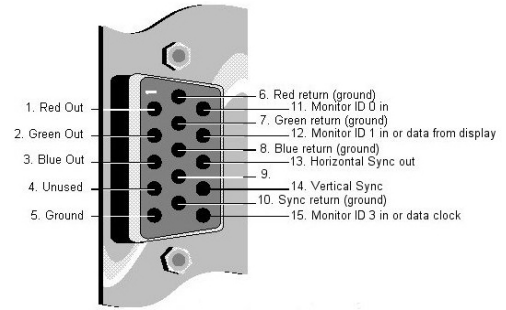
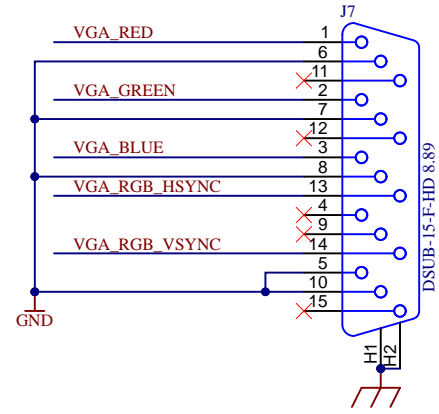
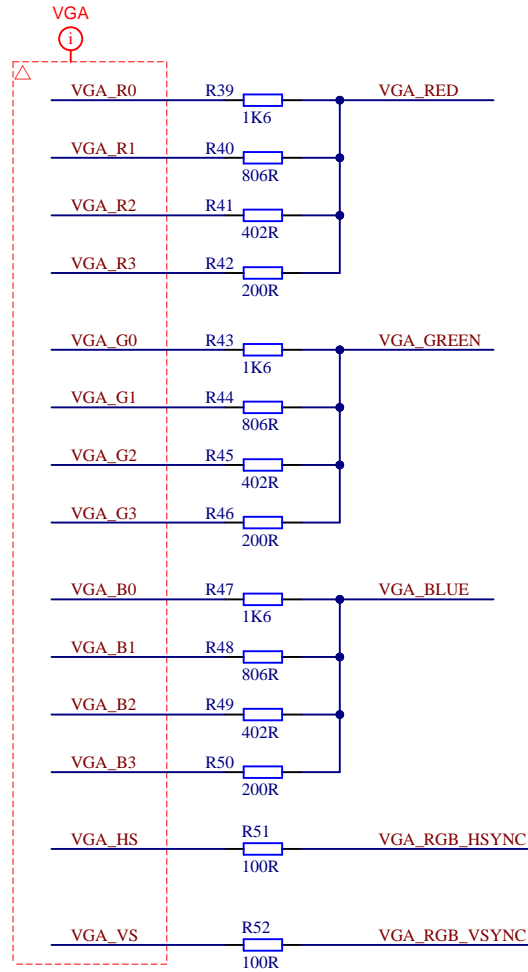




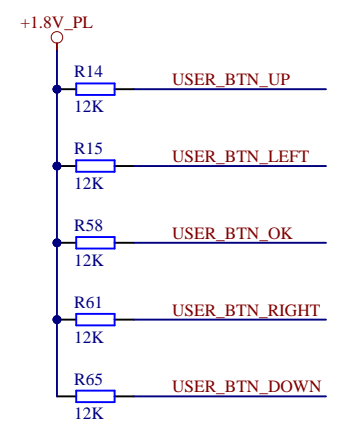
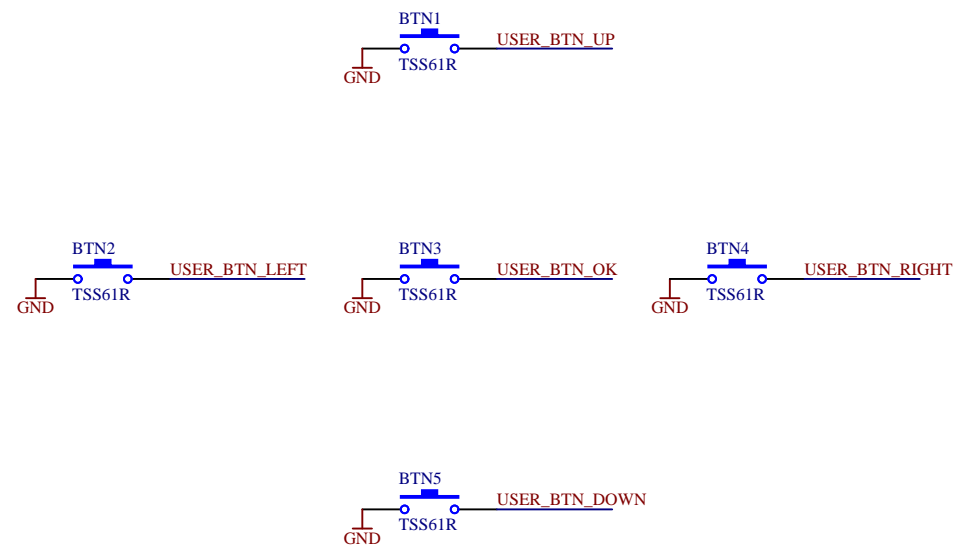
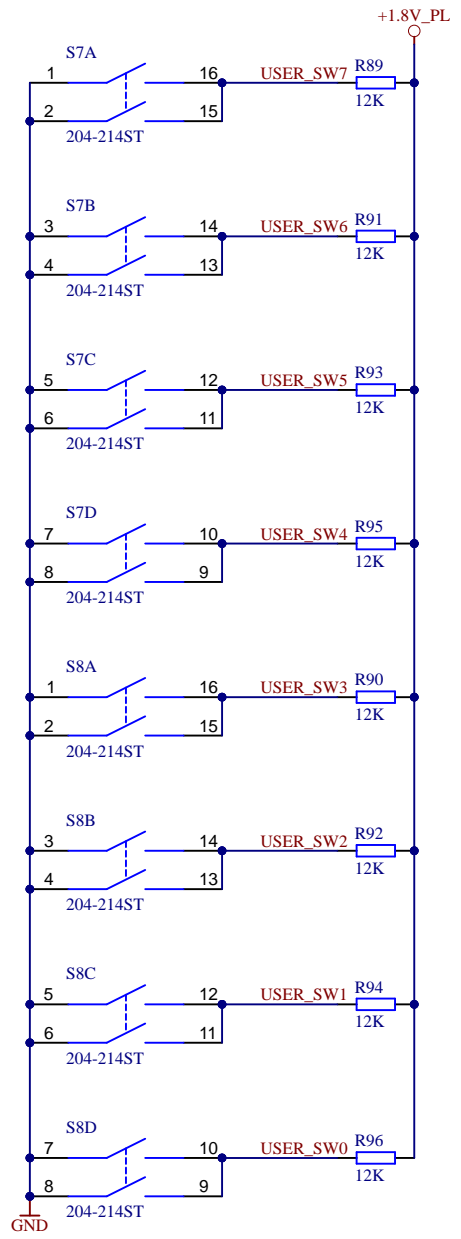
Title: SSD		
A4	Number: TE0802-02 2AEU2-A	Rev. 02
Date: 2019-05-20	Copyright: Trenz Electronic GmbH	Page 12 of 25
Drawn by: IG	Filename: SSD.SchDoc	




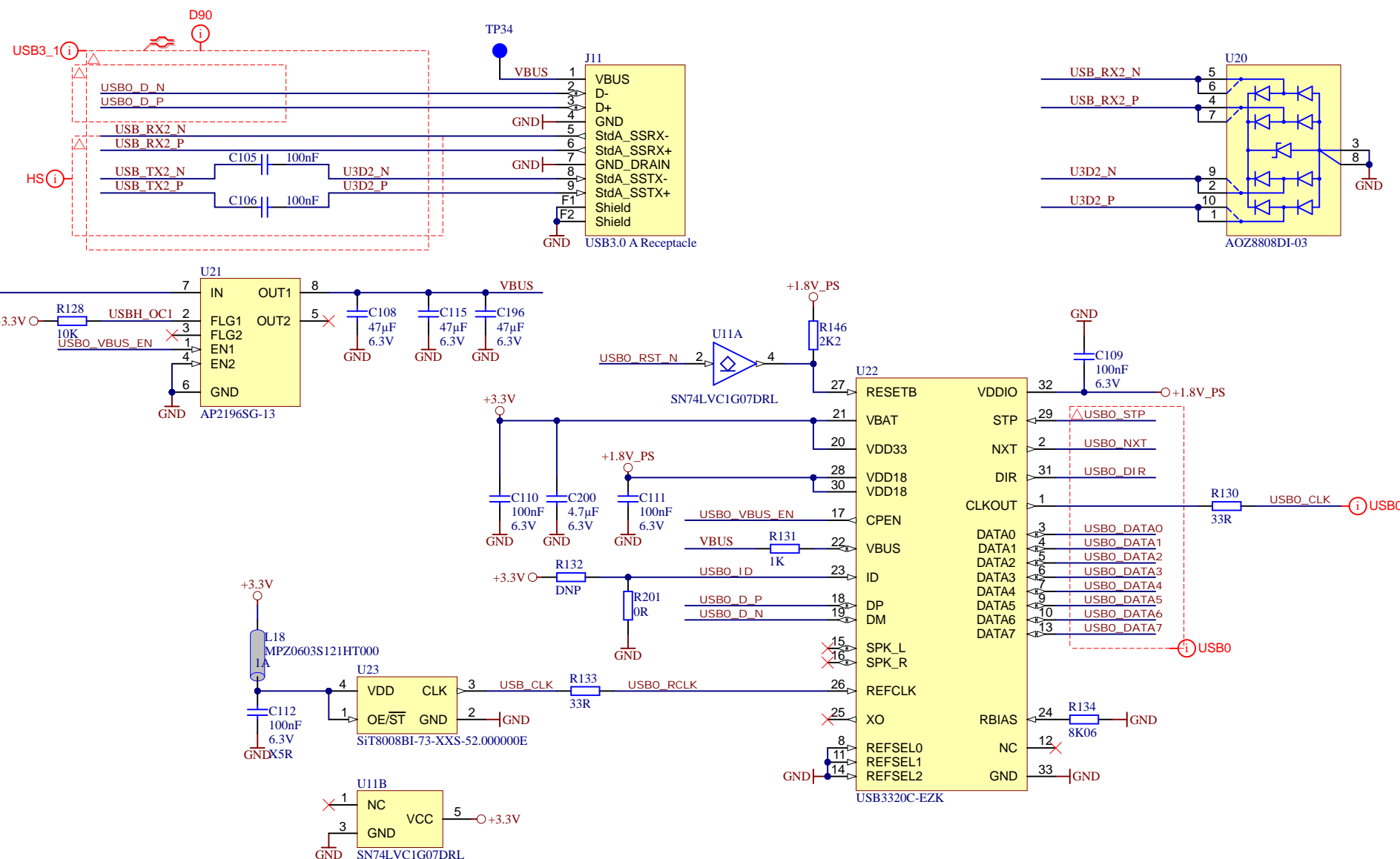
			Title: PMODs	
			A4	Number: TE0802-02 2AEU2-A
Date: 2019-05-20		Copyright: Trenz Electronic GmbH		Page 14 of 25
Drawn by: IG		Filename: PMODs.SchDoc		




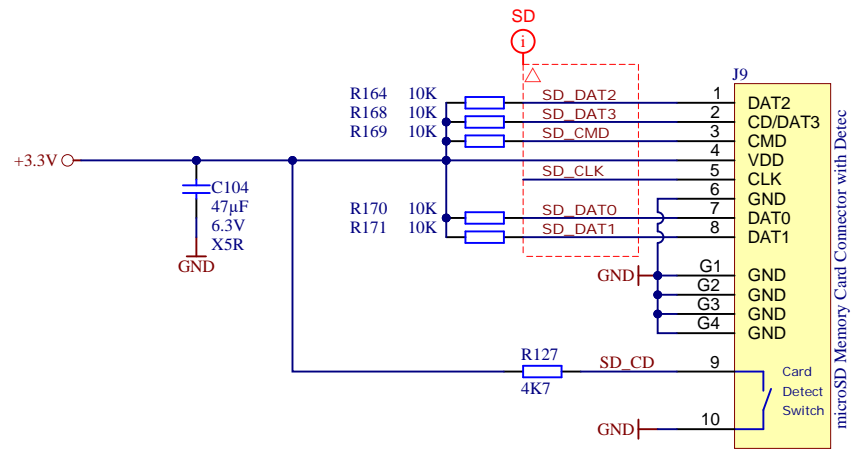
	Title: VGA_OUT		
	A4	Number: TE0802-02 2AEU2-A	Rev. 02
	Date: 2019-05-20	Copyright: Trenz Electronic GmbH	Page 15 of 25
	Drawn by: IG	Filename: VGA_OUT.SchDoc	




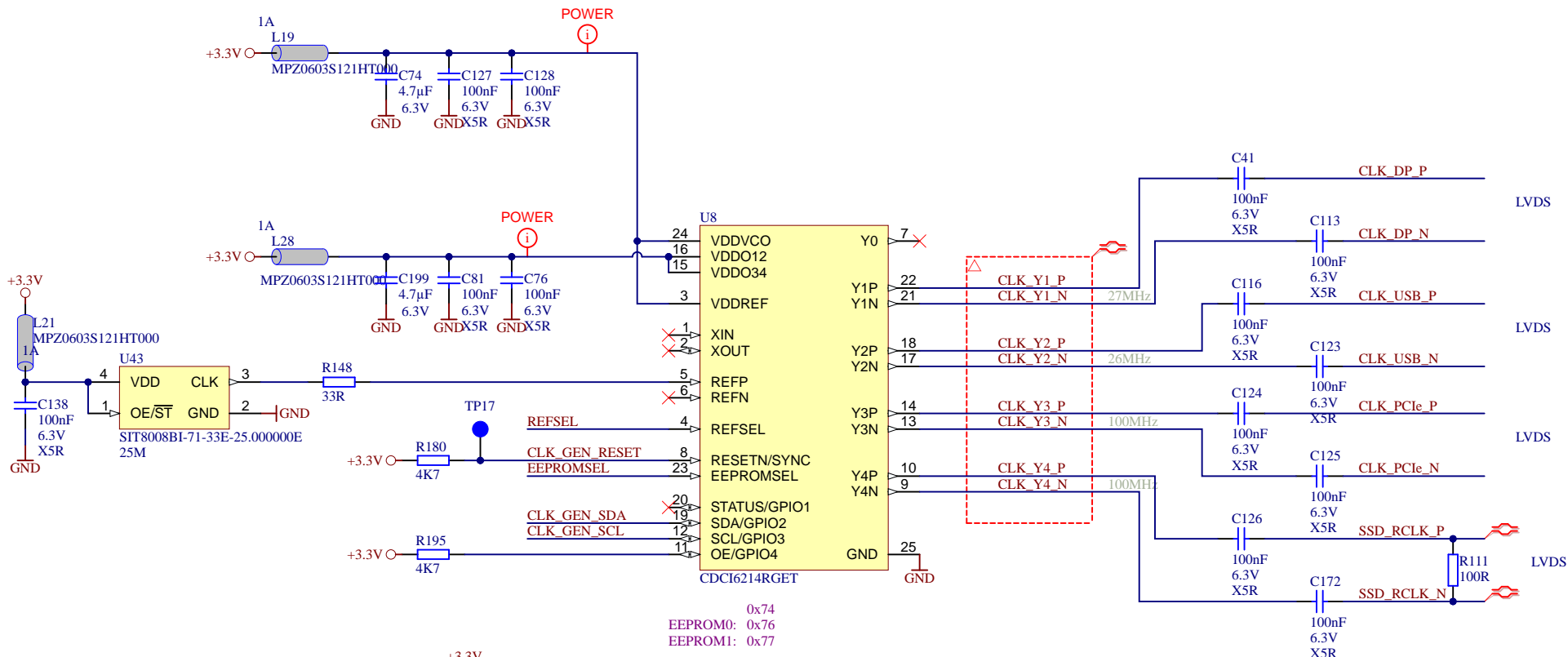
			Title: Switches_Buttons	
			A4	Number: TE0802-02 2AEU2-A
Date: 2019-05-20		Copyright: Trenz Electronic GmbH		Page 16 of 25
Drawn by: IG		Filename: Switches_Buttons.SchDoc		



			Title: USB	
			A4	Number: TE0802-02 2AEU2-A
Date: 2019-05-20		Copyright: Trenz Electronic GmbH		Page 17 of 25
Drawn by: IG		Filename: USB.SchDoc		

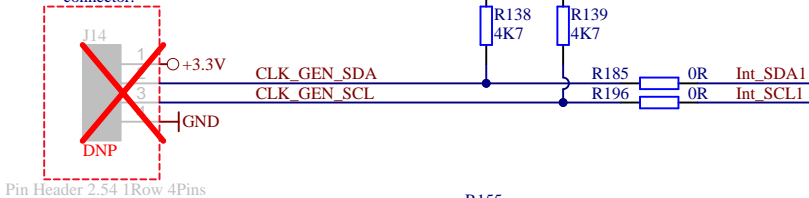


	Title: SD		
	A4	Number: TE0802-02 2AEU2-A	Rev. 02
	Date: 2019-05-20	Copyright: Trenz Electronic GmbH	Page 18 of 25
	Drawn by: IG	Filename: SD.SchDoc	

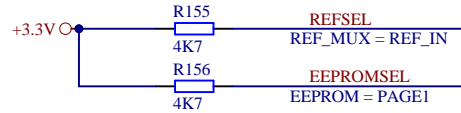


0x74
EEPROM0: 0x76
EEPROM1: 0x77

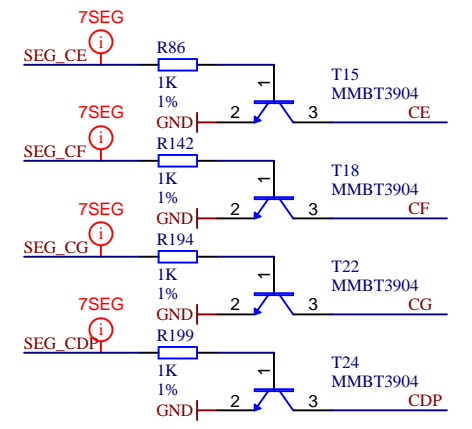
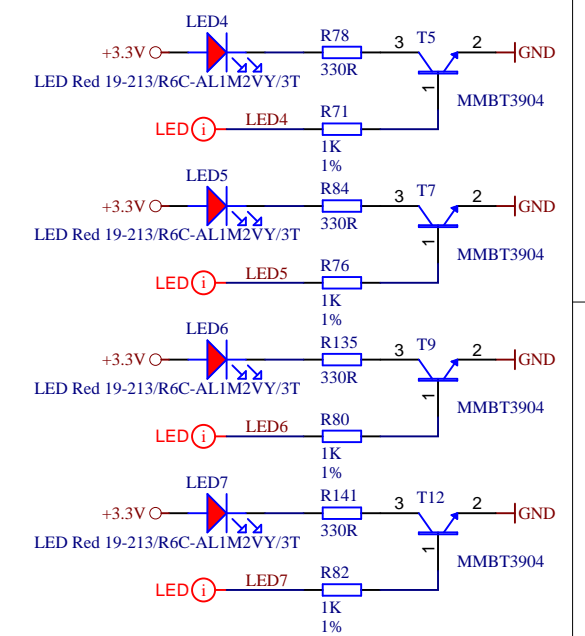
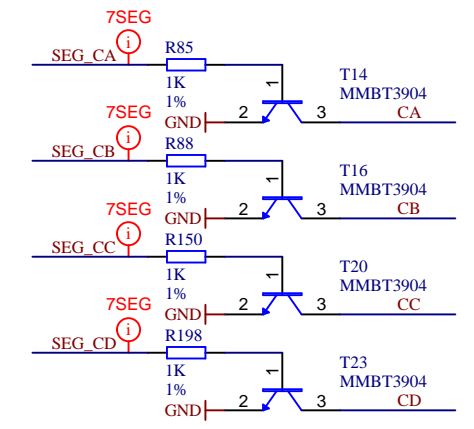
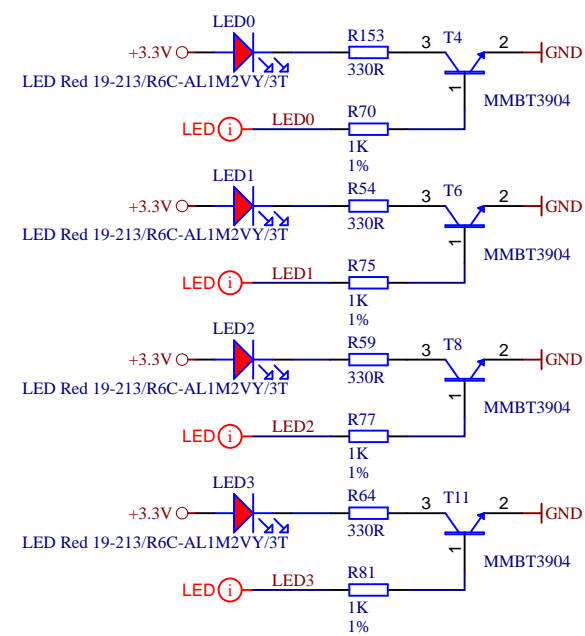
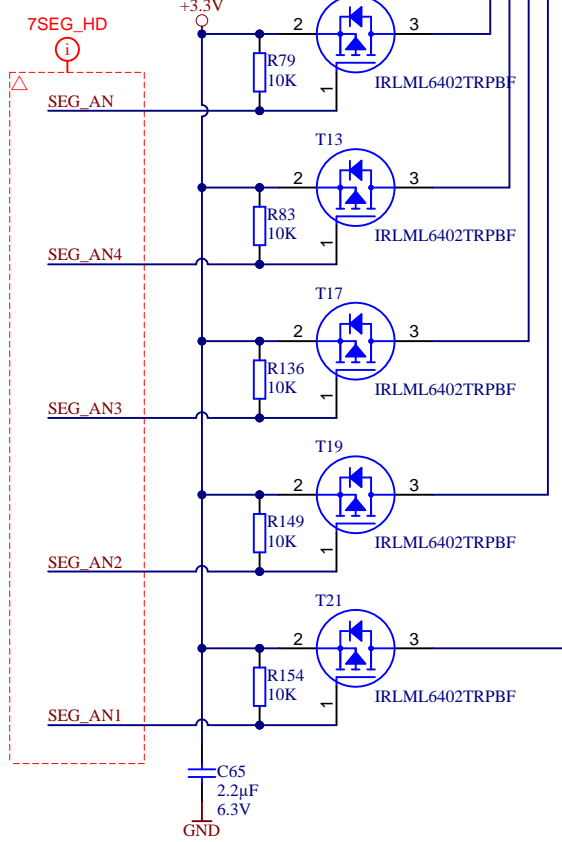
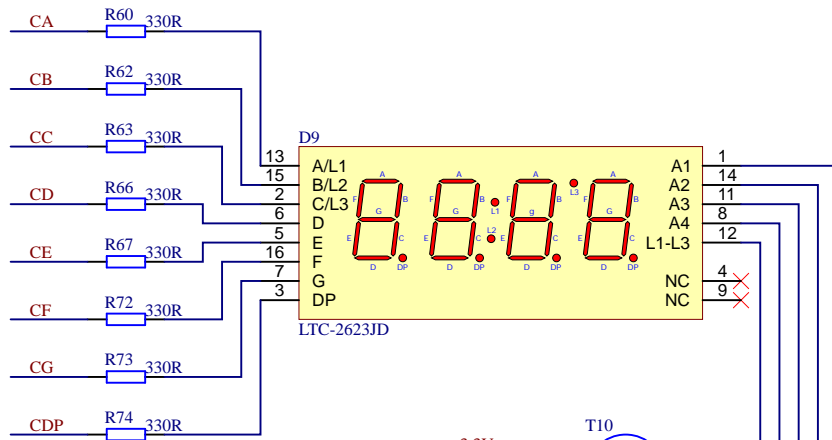
CLK GEN programming connector.




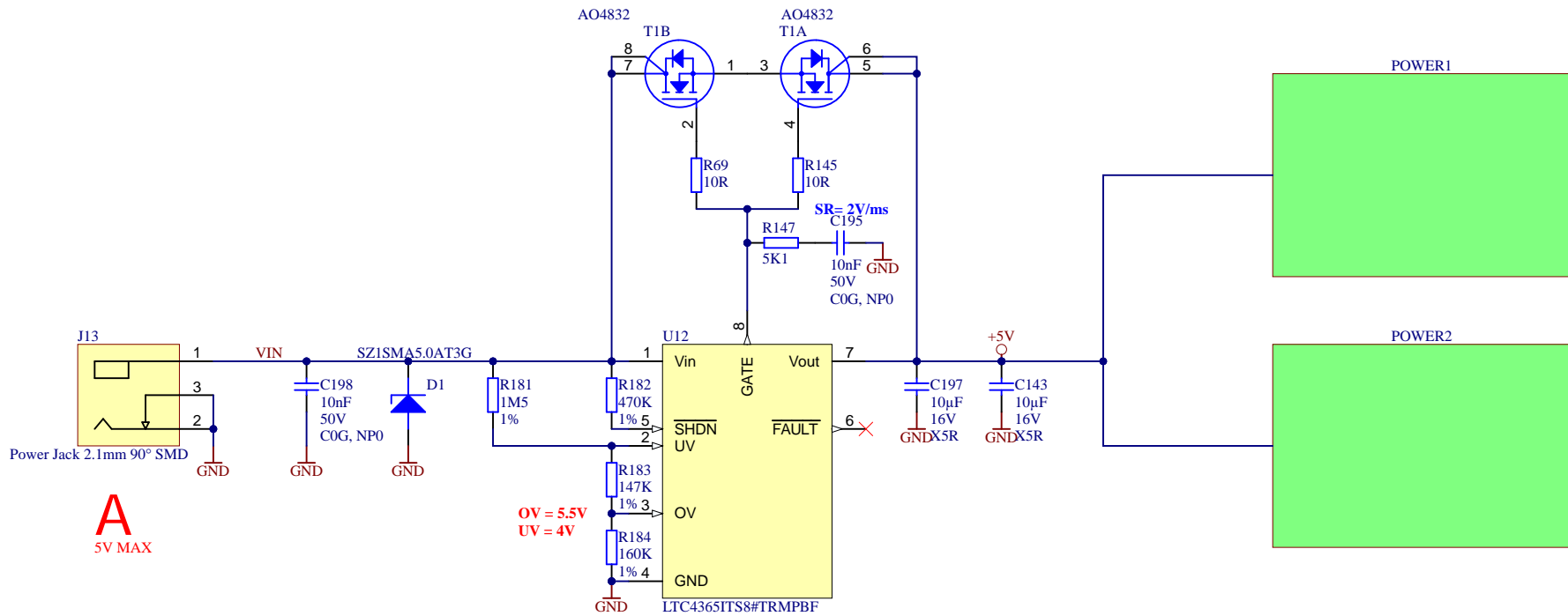
Pin Header 2.54 1Row 4Pins



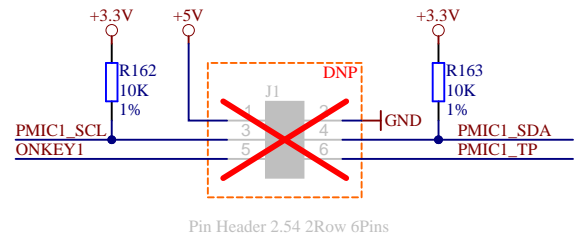
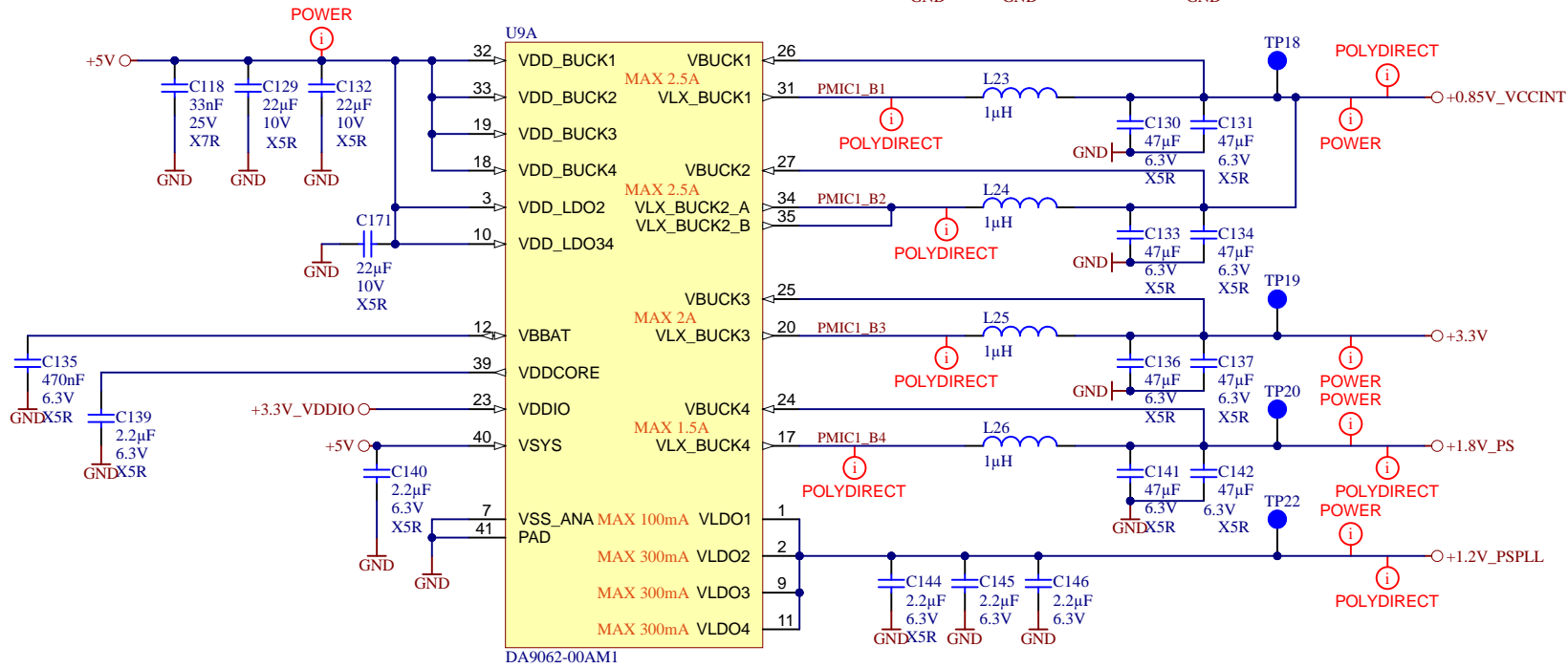
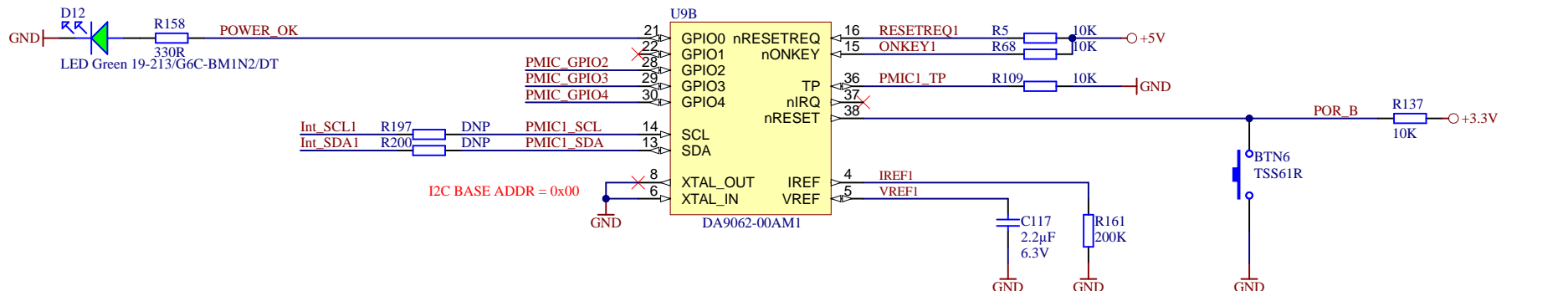
Title: Clock		
A4	Number: TE0802-02 2AEU2-A	Rev. 02
Date: 2019-05-20	Copyright: Trenz Electronic GmbH / TT	Page 20 of 25
Drawn by: IG	Filename: Clock.SchDoc	



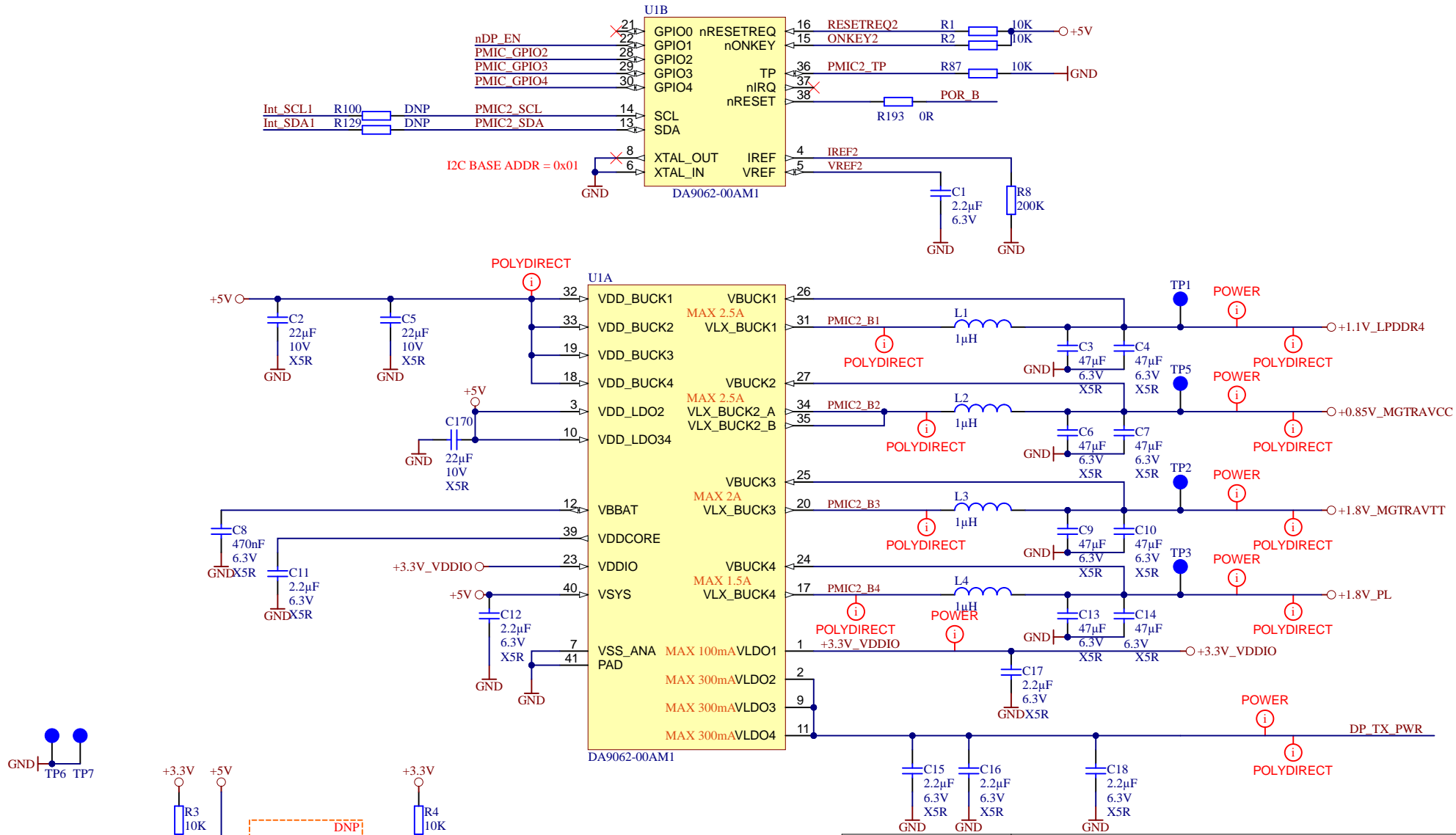
			Title: LEDs	
			A4	Number: TE0802-02 2AEU2-A
Date: 2019-05-20		Copyright: Trenz Electronic GmbH		Page 21 of 25
Drawn by: IG		Filename: LEDs.SchDoc		



Title: POWER		
A4	Number: TE0802-02 2AEU2-A	Rev. 02
Date: 2019-05-20	Copyright: Trenz Electronic GmbH / TT	Page 22 of 25
Drawn by: IG	Filename: POWER.SchDoc	



Title: POWER1		
A4	Number: TE0802-02 2AEU2-A	Rev. 02
Date: 2019-05-20	Copyright: Trenz Electronic GmbH / TT	Page 23 of 25
Drawn by: IG	Filename: POWER1.SchDoc	



			Title: POWER2	
			A4	Number: TE0802-02 2AEU2-A
Date: 2019-05-20		Copyright: Trenz Electronic GmbH / TT		Page 24 of 25
Drawn by: IG		Filename: POWER2.SchDoc		

