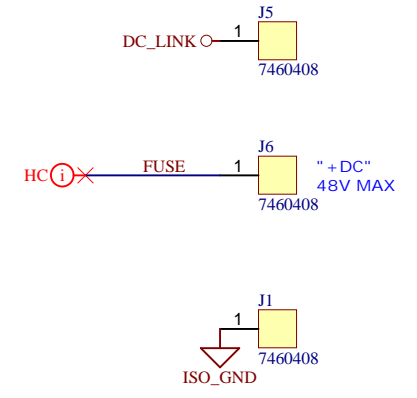
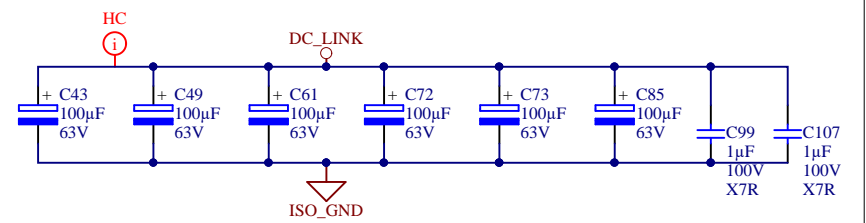
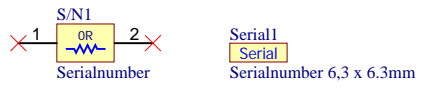
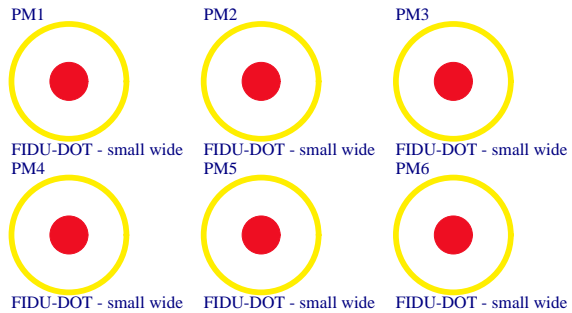
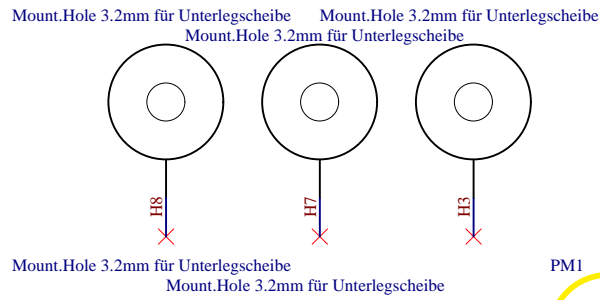

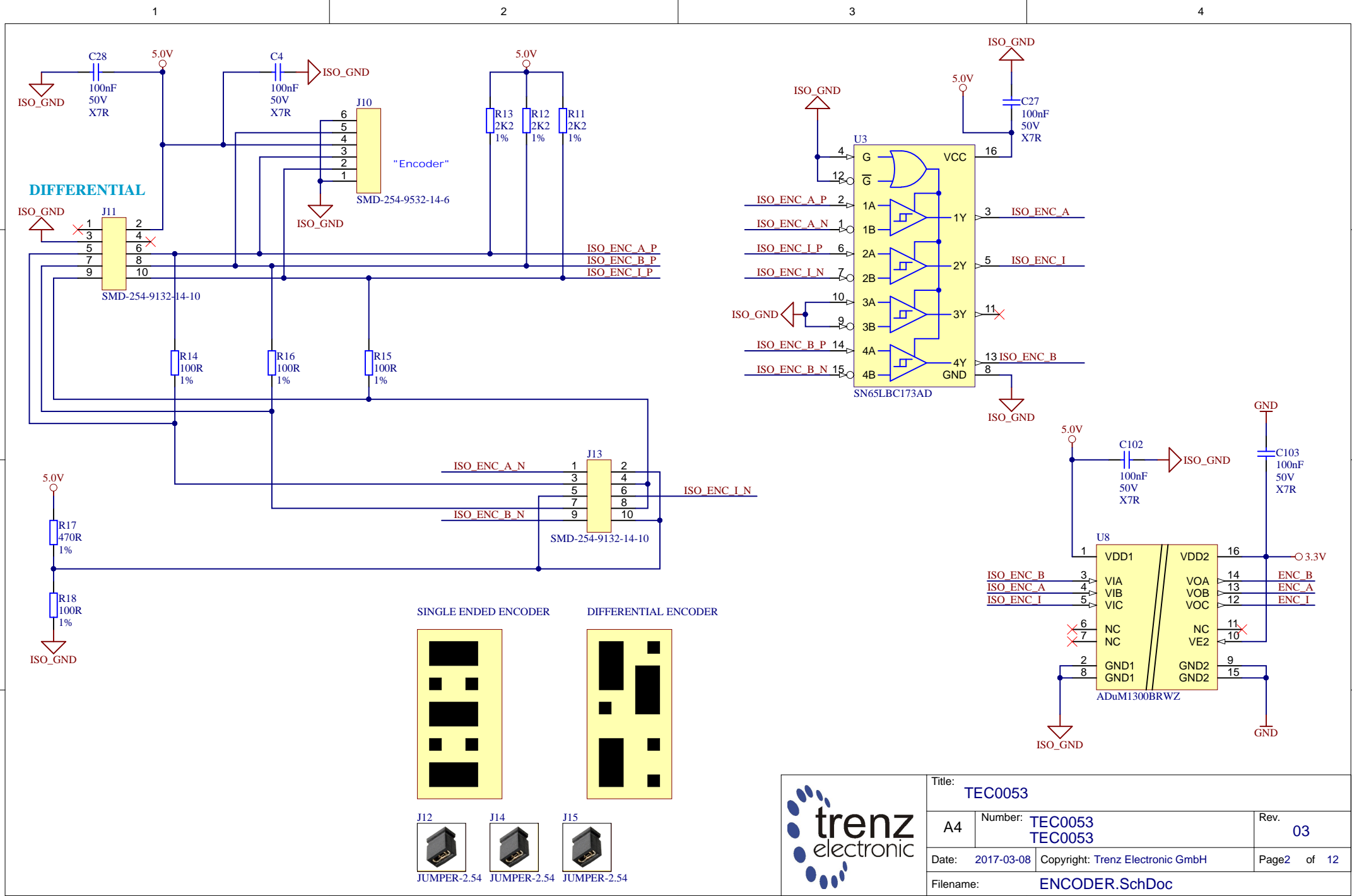



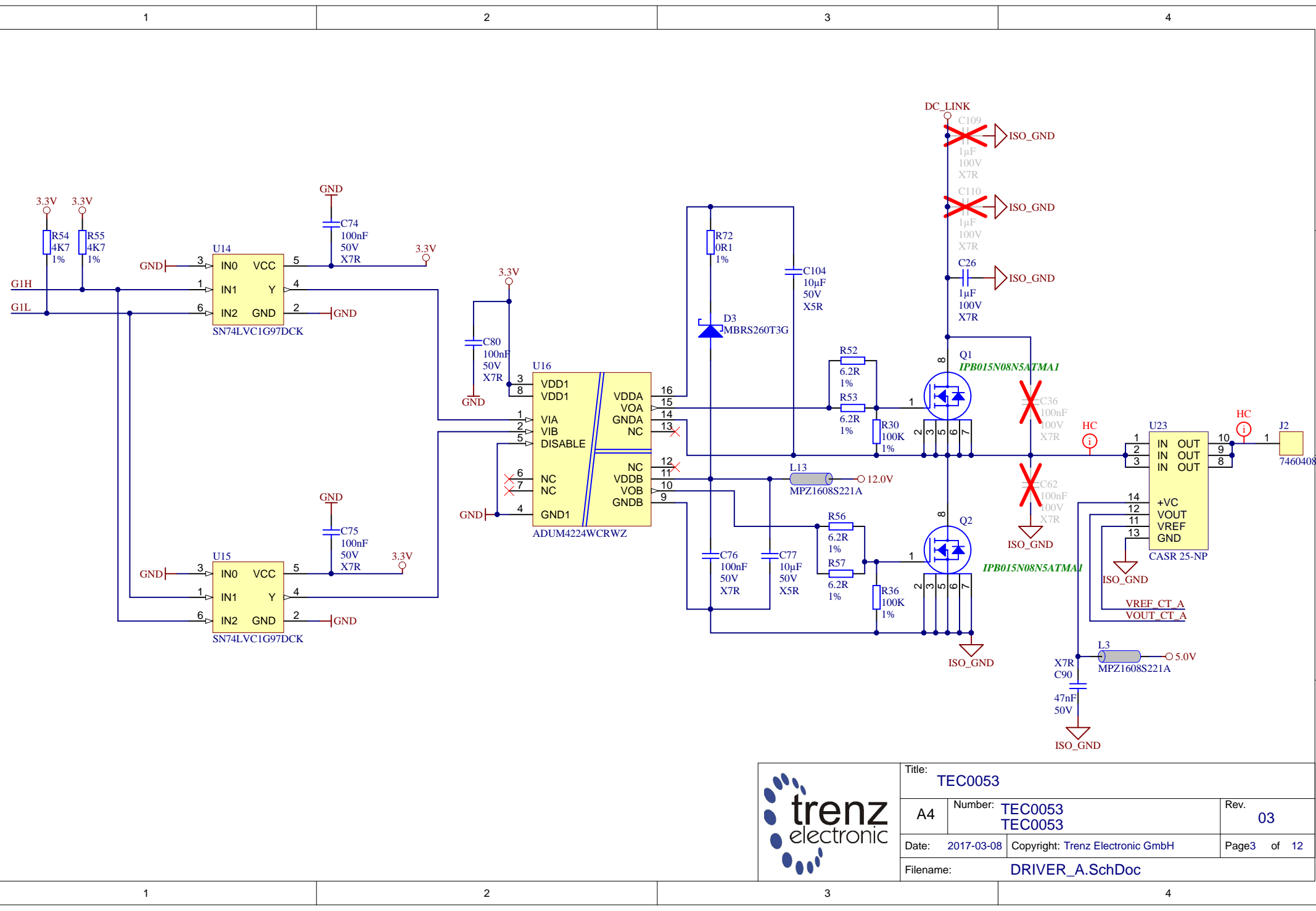
- U_ACQCURR_A
ACQCURR_A.SchDoc
- U_ACQCURR_B
ACQCURR_B.SchDoc
- U_ACQCURR_C
ACQCURR_C.SchDoc
- U_ACQVOLTAGE
ACQVOLTAGE.SchDoc
- U_DRIVER_A
DRIVER_A.SchDoc
- U_DRIVER_B
DRIVER_B.SchDoc
- U_DRIVER_C
DRIVER_C.SchDoc
- U_ENCODER
ENCODER.SchDoc
- U_HEADERS
HEADERS.SchDoc
- U_POWER
POWER.SchDoc



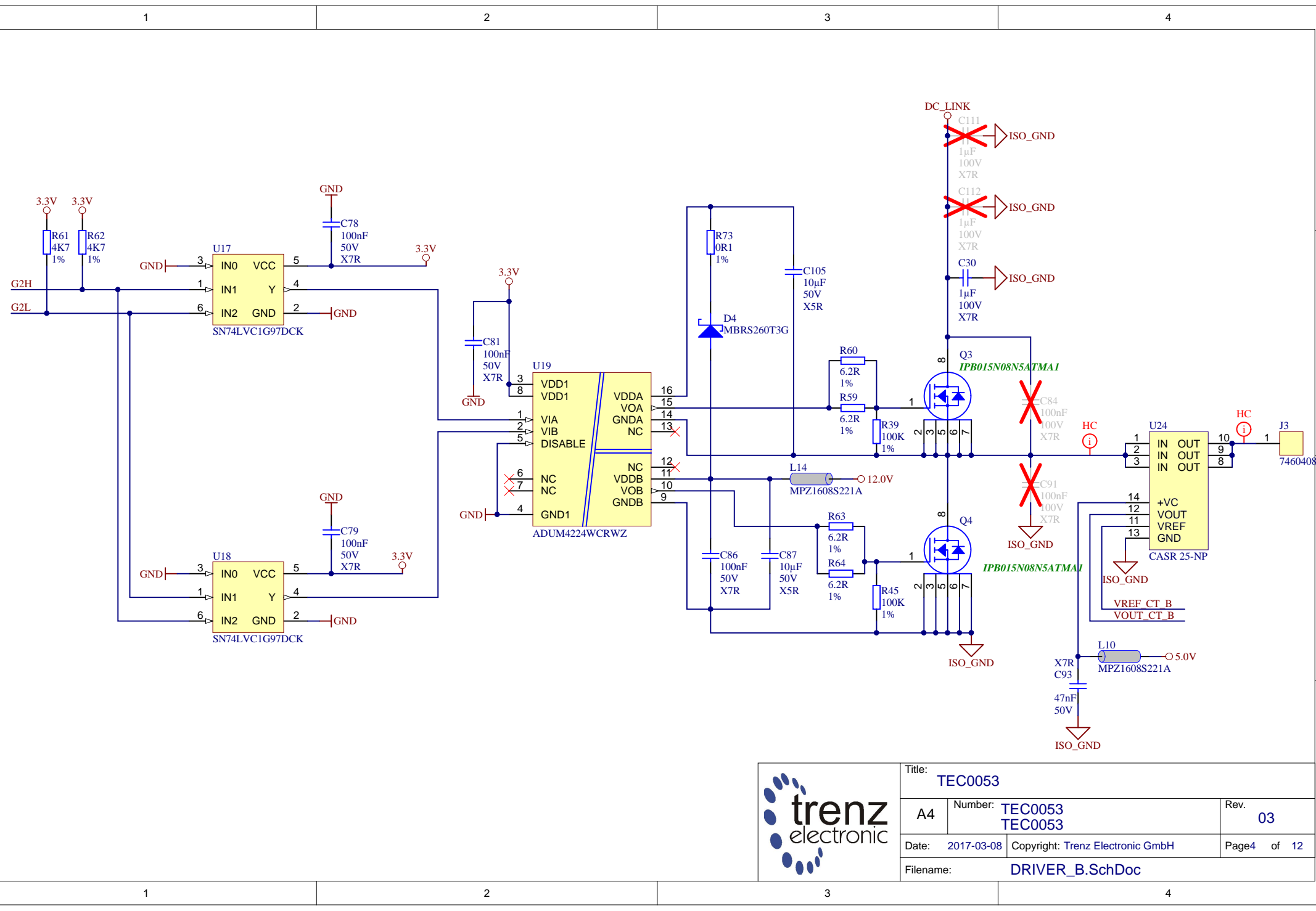
		Title: TEC0053	
		A4	Number: TEC0053 TEC0053
Date: 2017-03-08		Copyright: Trenz Electronic GmbH	
Page 1		of 12	
Filename: TEC0053.SchDoc			



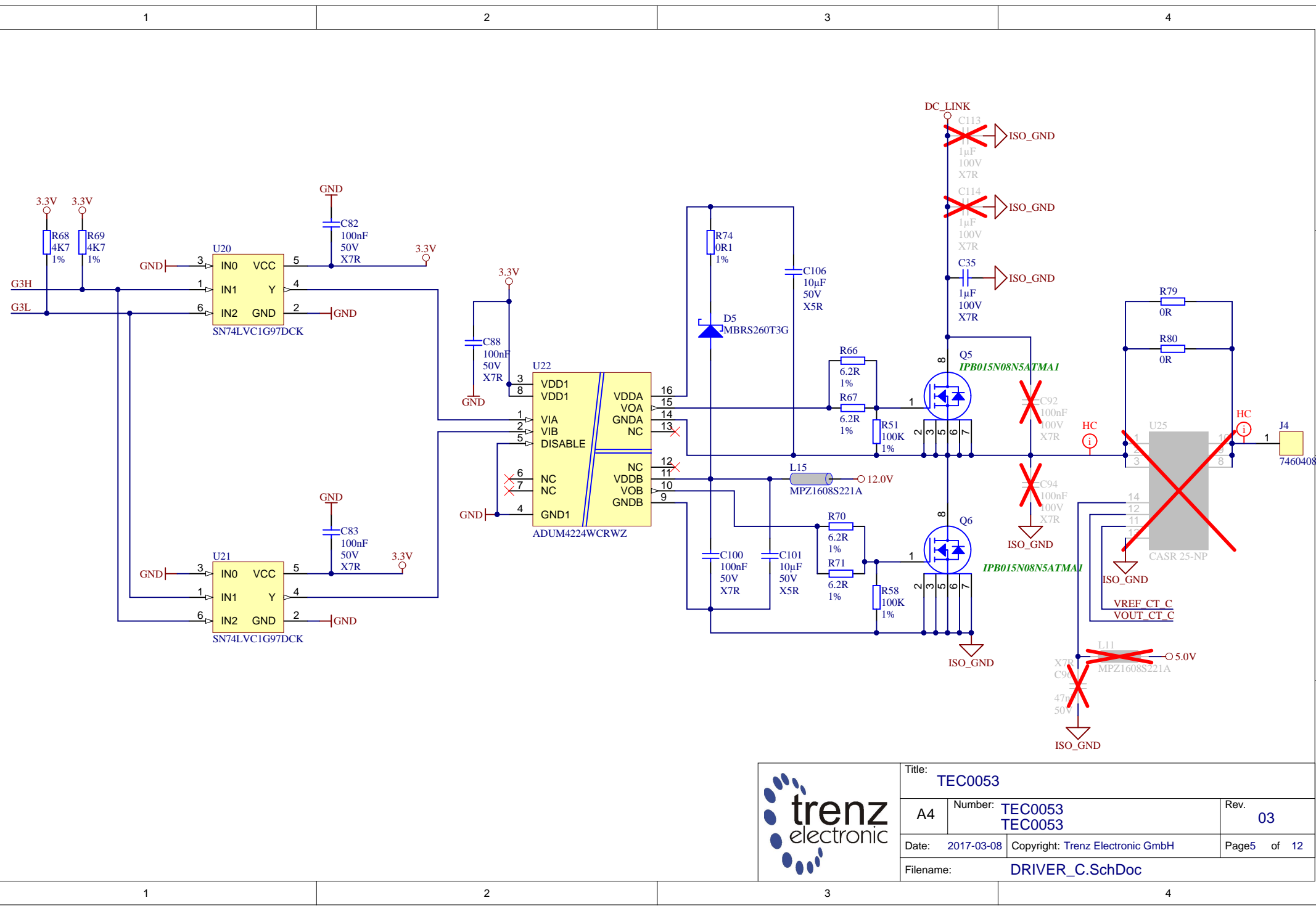
		Title: TEC0053	
		A4	Number: TEC0053 TEC0053
Date: 2017-03-08		Copyright: Trenz Electronic GmbH	
Page 2 of 12		Page 2 of 12	
Filename: ENCODER.SchDoc			




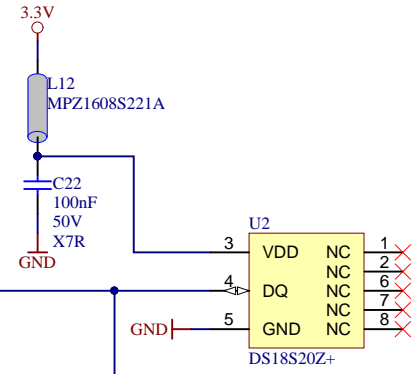
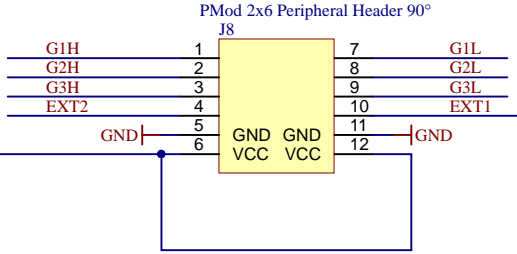
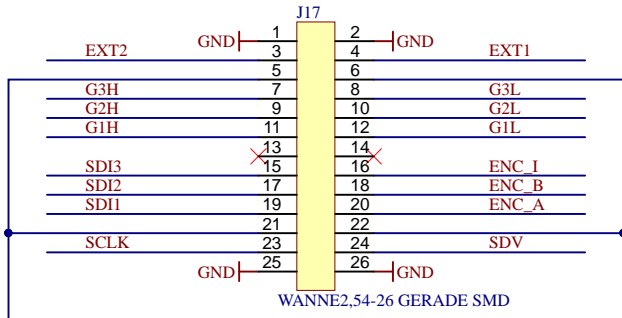
	Title: TEC0053	
	A4	Number: TEC0053 TEC0053
	Date: 2017-03-08	Copyright: Trenz Electronic GmbH
	Rev. 03	Page3 of 12
Filename: DRIVER_A.SchDoc		



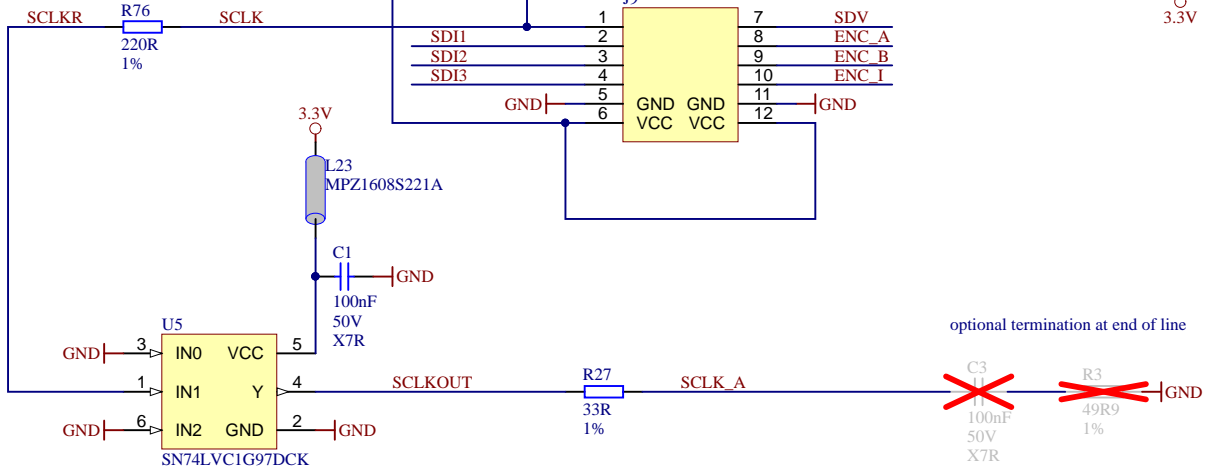
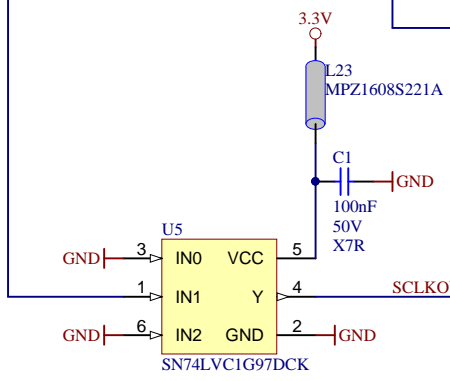
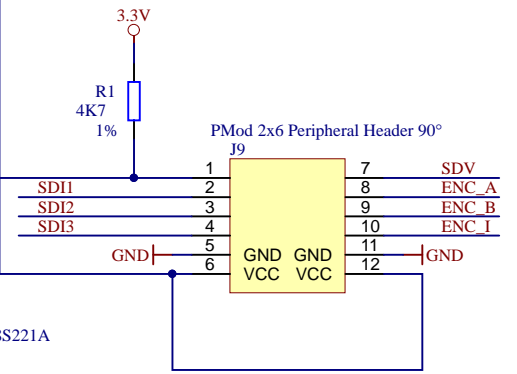
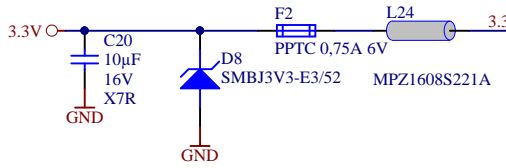
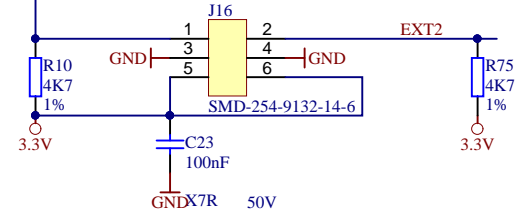
	Title: TEC0053	
	A4	Number: TEC0053 TEC0053
	Date: 2017-03-08	Copyright: Trenz Electronic GmbH
	Rev. 03	Page 4 of 12
Filename: DRIVER_B.SchDoc		



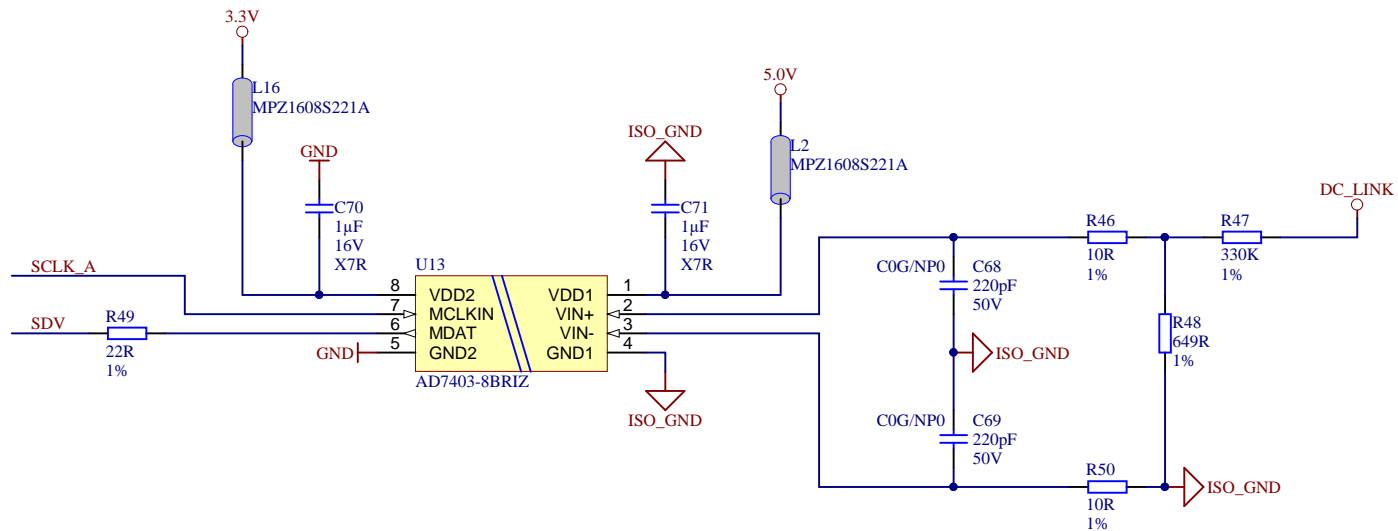
	Title: TEC0053	
	A4	Number: TEC0053 TEC0053
	Date: 2017-03-08	Copyright: Trenz Electronic GmbH
	Rev. 03	Page5 of 12
Filename: DRIVER_C.SchDoc		




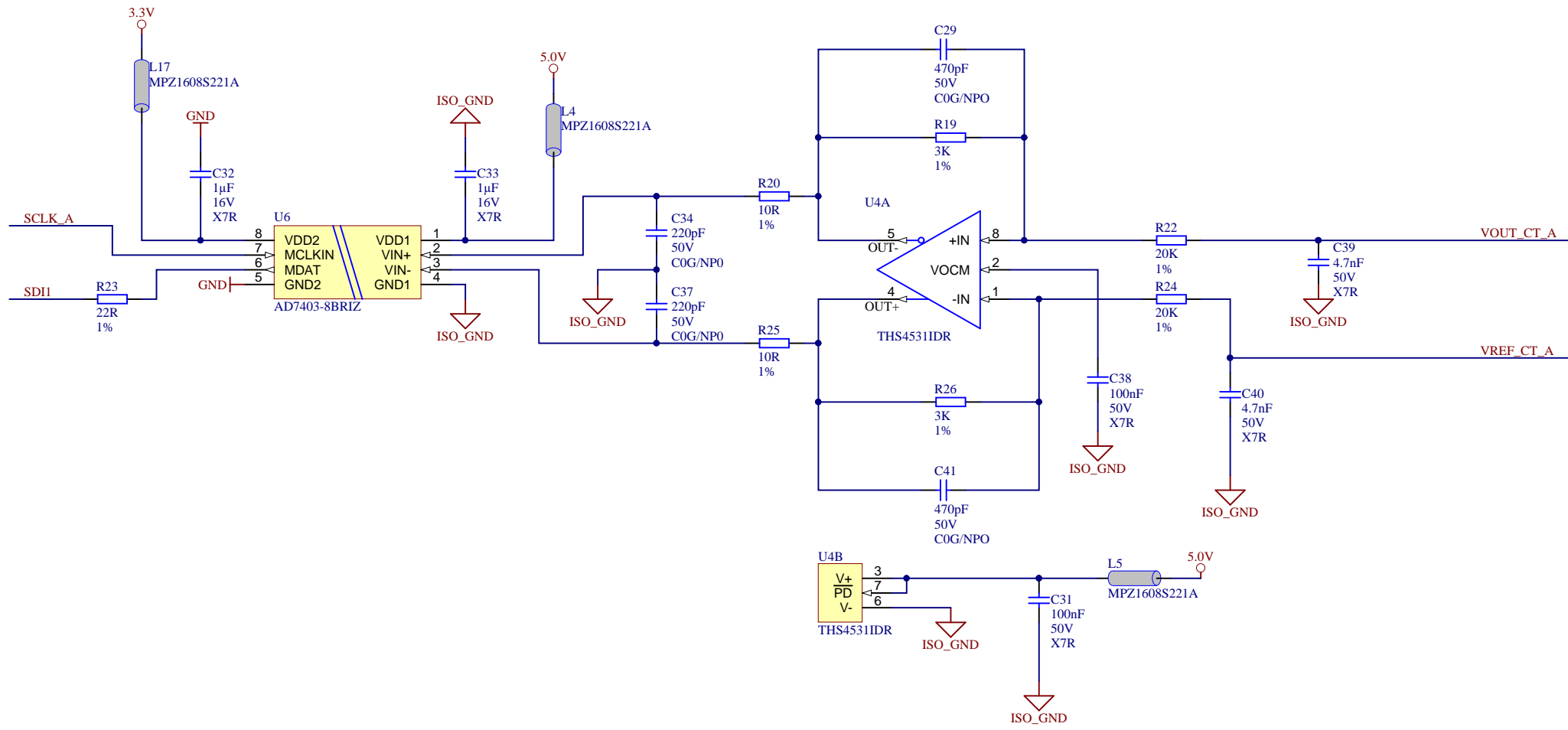
1 - WIRE TEMPERATURE PROBE




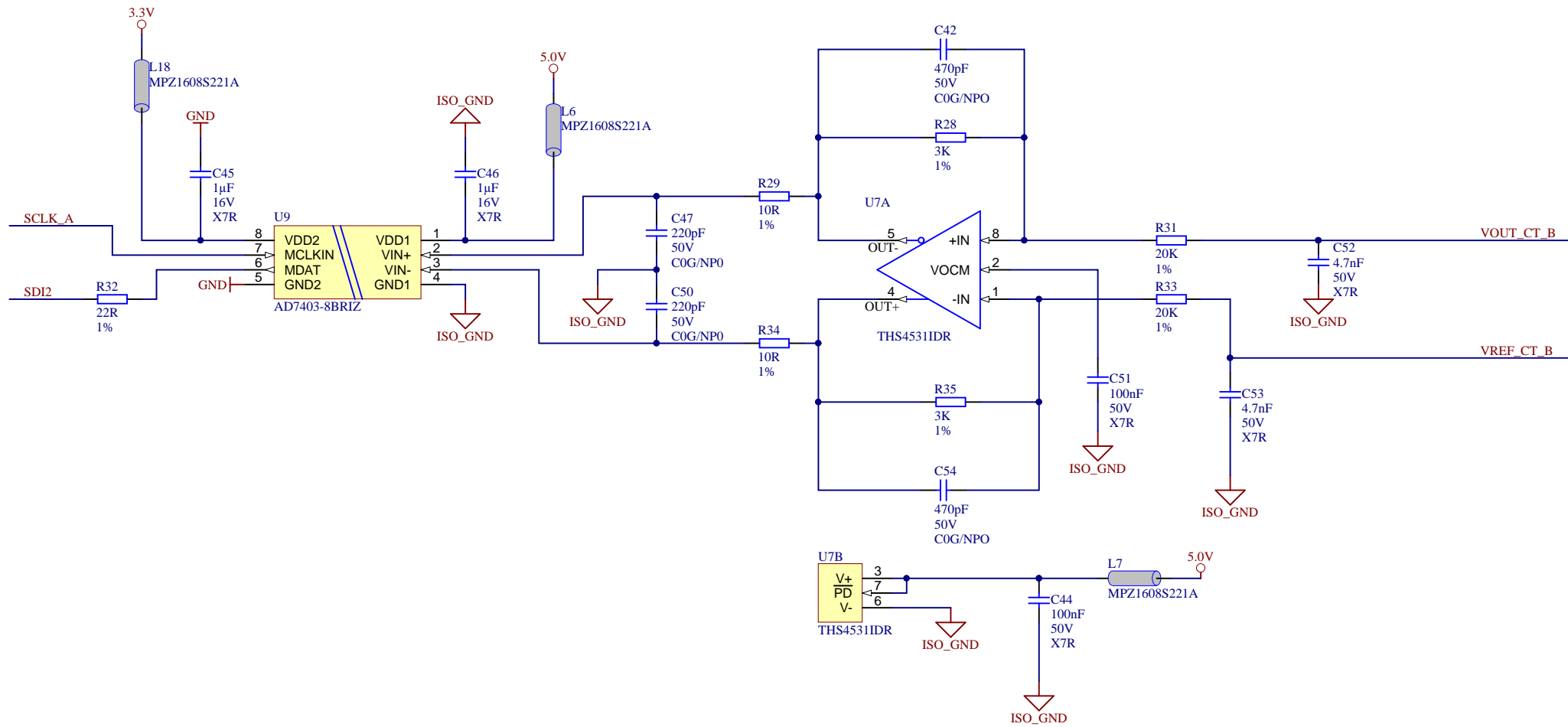
Title: TEC0053		
A4	Number: TEC0053 TEC0053	Rev. 03
Date: 2017-03-08	Copyright: Trenz Electronic GmbH	Page 6 of 12
Filename: HEADERS.SchDoc		



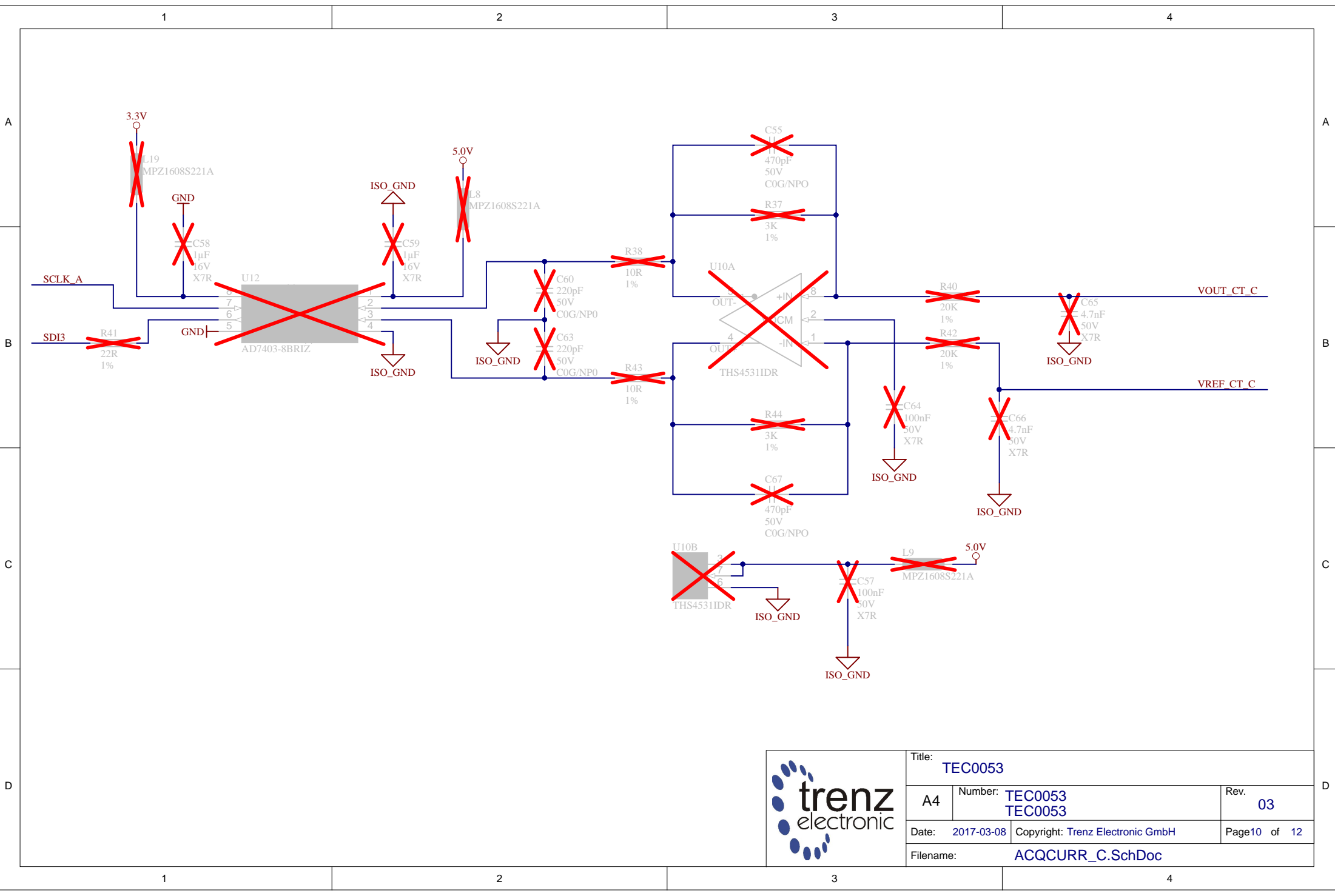
	Title: TEC0053		
	A4	Number: TEC0053 TEC0053	Rev. 03
	Date: 2017-03-08	Copyright: Trenz Electronic GmbH	Page 7 of 12
	Filename: ACQVOLTAGE.SchDoc		




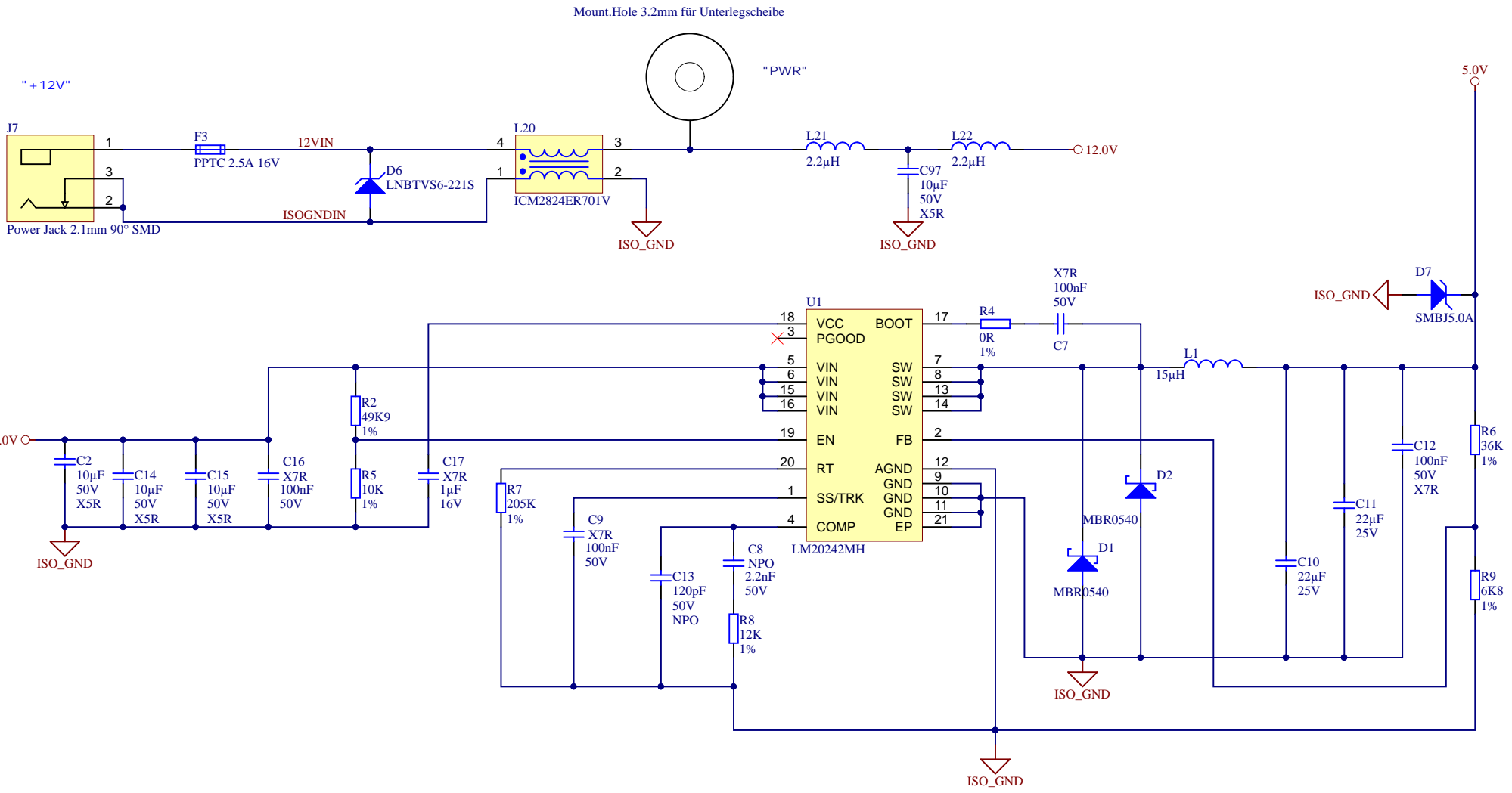
		Title: TEC0053	
		A4	Number: TEC0053 TEC0053
Date: 2017-03-08		Copyright: Trenz Electronic GmbH	
Filename: ACQCURR_A.SchDoc		Page 8 of 12	



Title: TEC0053		
A4	Number: TEC0053 TEC0053	Rev. 03
Date: 2017-03-08	Copyright: Trenz Electronic GmbH	Page 9 of 12
Filename: ACQCURR_B.SchDoc		



	Title: TEC0053		
	A4	Number: TEC0053 TEC0053	Rev. 03
	Date: 2017-03-08	Copyright: Trenz Electronic GmbH	Page 10 of 12
	Filename: ACQCURR_C.SchDoc		



Title: TEC0053		
A4	Number: TEC0053 TEC0053	Rev. 03
Date: 2017-03-08	Copyright: Trenz Electronic GmbH	Page 11 of 12
Filename: POWER.SchDoc		

1

2

3


4

Revision -02

- 1) added pullupt on EXT2 signal on second onewire header
- 2) added input buffers to reduce digital load
- 3) removed option to mount THR capacitors
- 4) reduced PCB size
- 5) changed 3x 3pin THT header (enc term) to single 2x5 pin SMD
- 6) changed 5 pin THR enc header to 6 pin SMD
- 7) changed shrouded 2x5 header to SMD header
- 8) changed 2 4-pin THT headers to one 2x3 SMD
- 9) changed high current terminals to correct type
- 10) added 3 jumpers as mechanical parts
- 11) added transil on 3.3V and 5V
- 12) added resettable fuses on 12V and 3.3V
- 13) changed board size, holes and connectors positions

Revision -03

- 1) New fuse F3
- 2) Changed board size
- 3) Added ferrite bead to net 3.3V_IN/3.3V
- 4)

	Title: TEC0053		
	A4	Number: TEC0053 TEC0053	Rev. 03
	Date: 2017-03-08	Copyright: Trenz Electronic GmbH	Page 12 of 12
	Filename: REVISION_CHANGES.SchDoc		

1

2

3

4