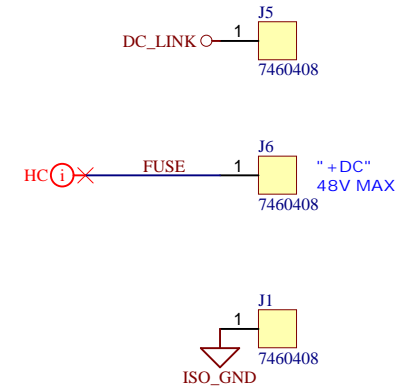
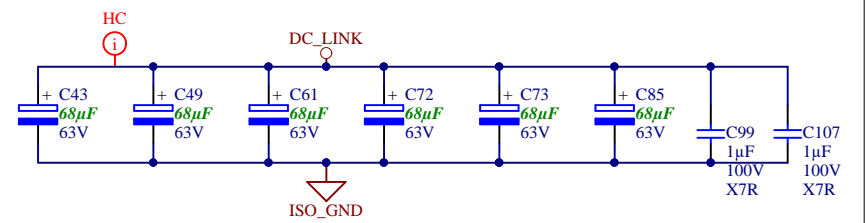
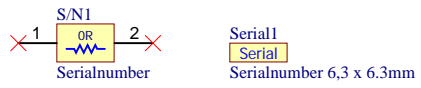
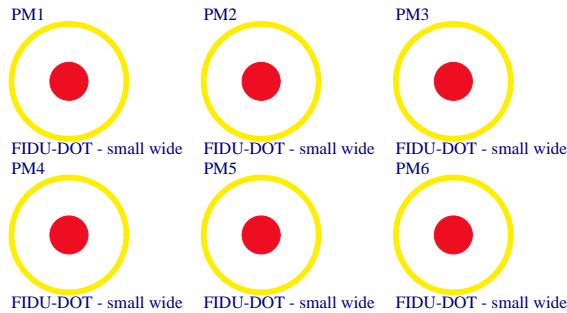
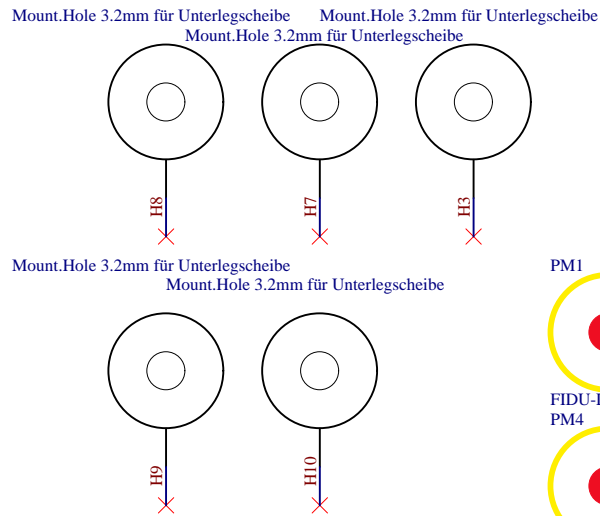


U_ACQCURR_A ACQCURR_A.SchDoc	U_DRIVER_B DRIVER_B.SchDoc
U_ACQCURR_B ACQCURR_B.SchDoc	U_DRIVER_C DRIVER_C.SchDoc
U_ACQCURR_C ACQCURR_C.SchDoc	U_ENCODER ENCODER.SchDoc
U_ACQVOLTAGE ACQVOLTAGE.SchDoc	U_HEADERS HEADERS.SchDoc
U_DRIVER_A DRIVER_A.SchDoc	U_POWER POWER.SchDoc



	Title: TEC0053	
	A4	Number: TEC0053 TEC0053-C
	Date: 2017-03-08	Rev. 03
	Page1 of 12	
Filename: TEC0053.SchDoc		Copyright: Trenz Electronic GmbH

1

2

3

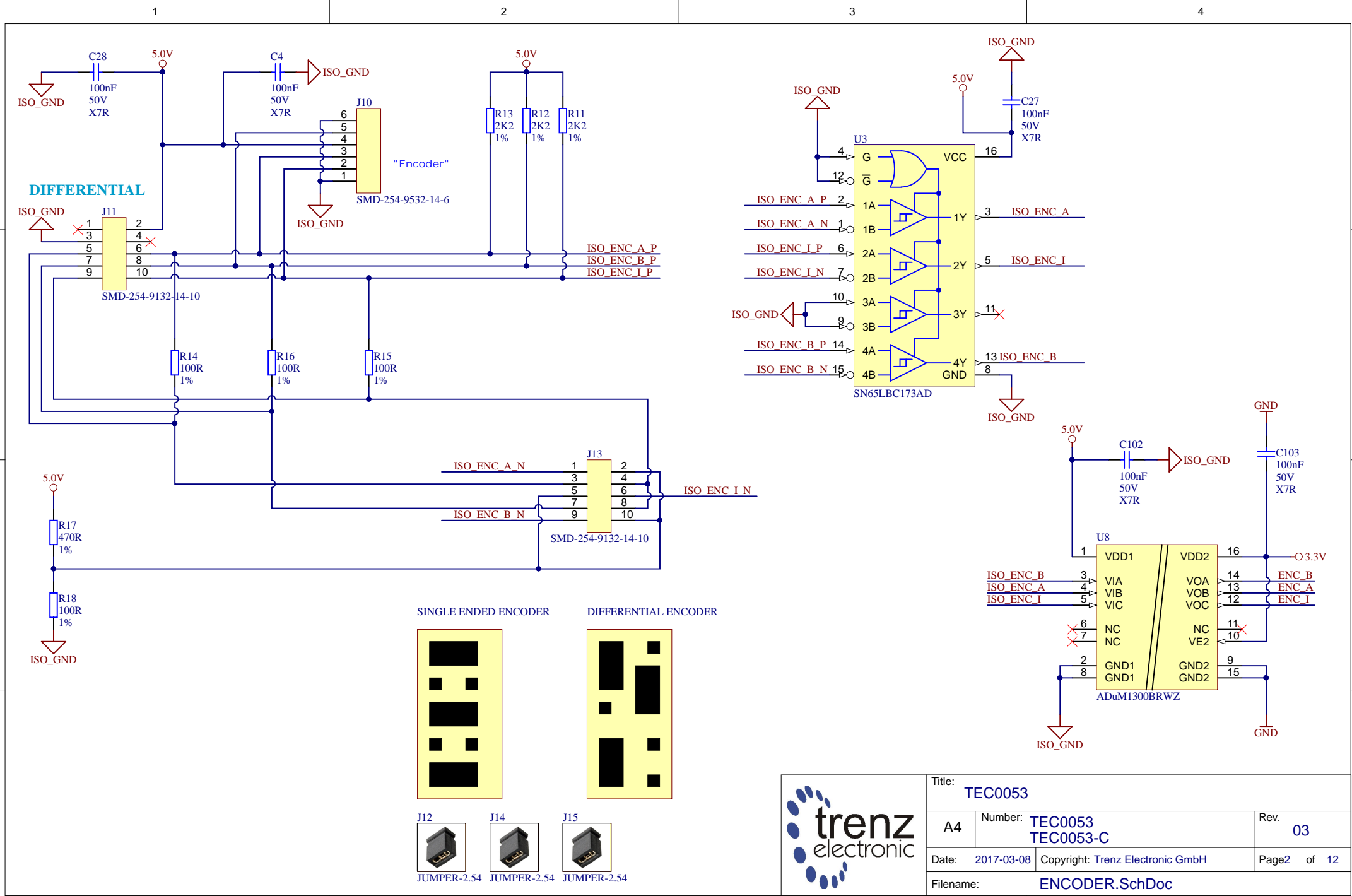
4


1

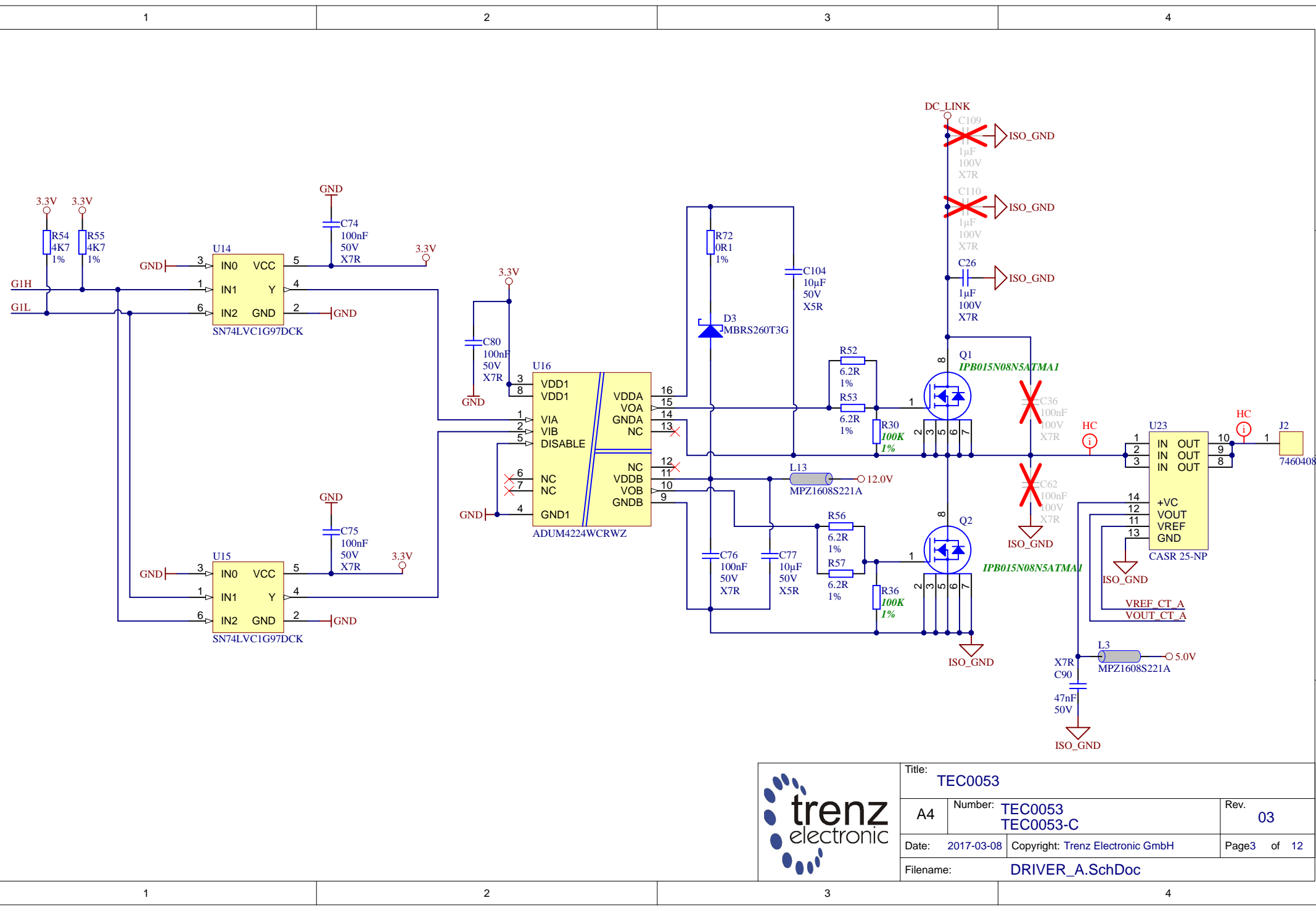
2

3

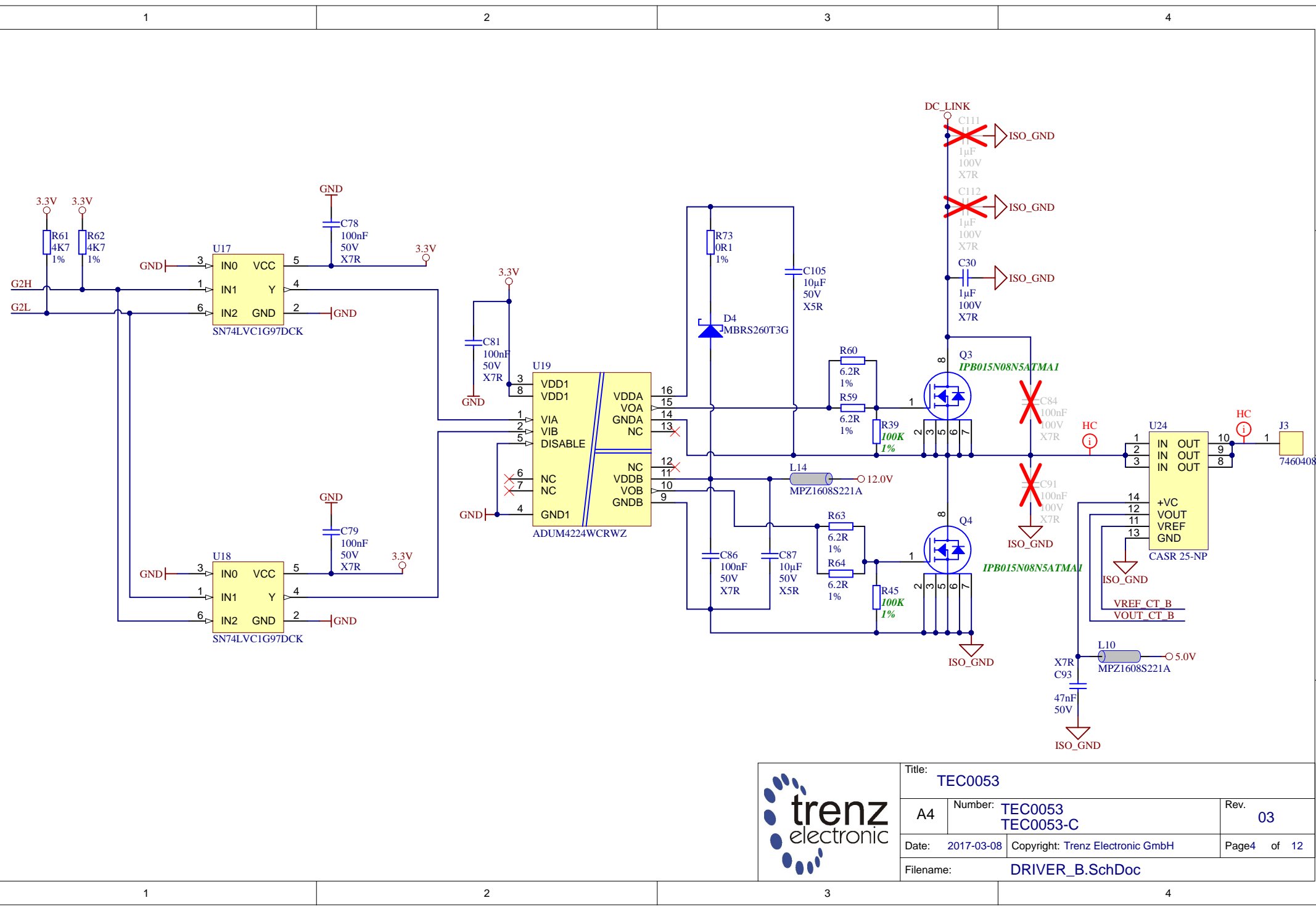
4



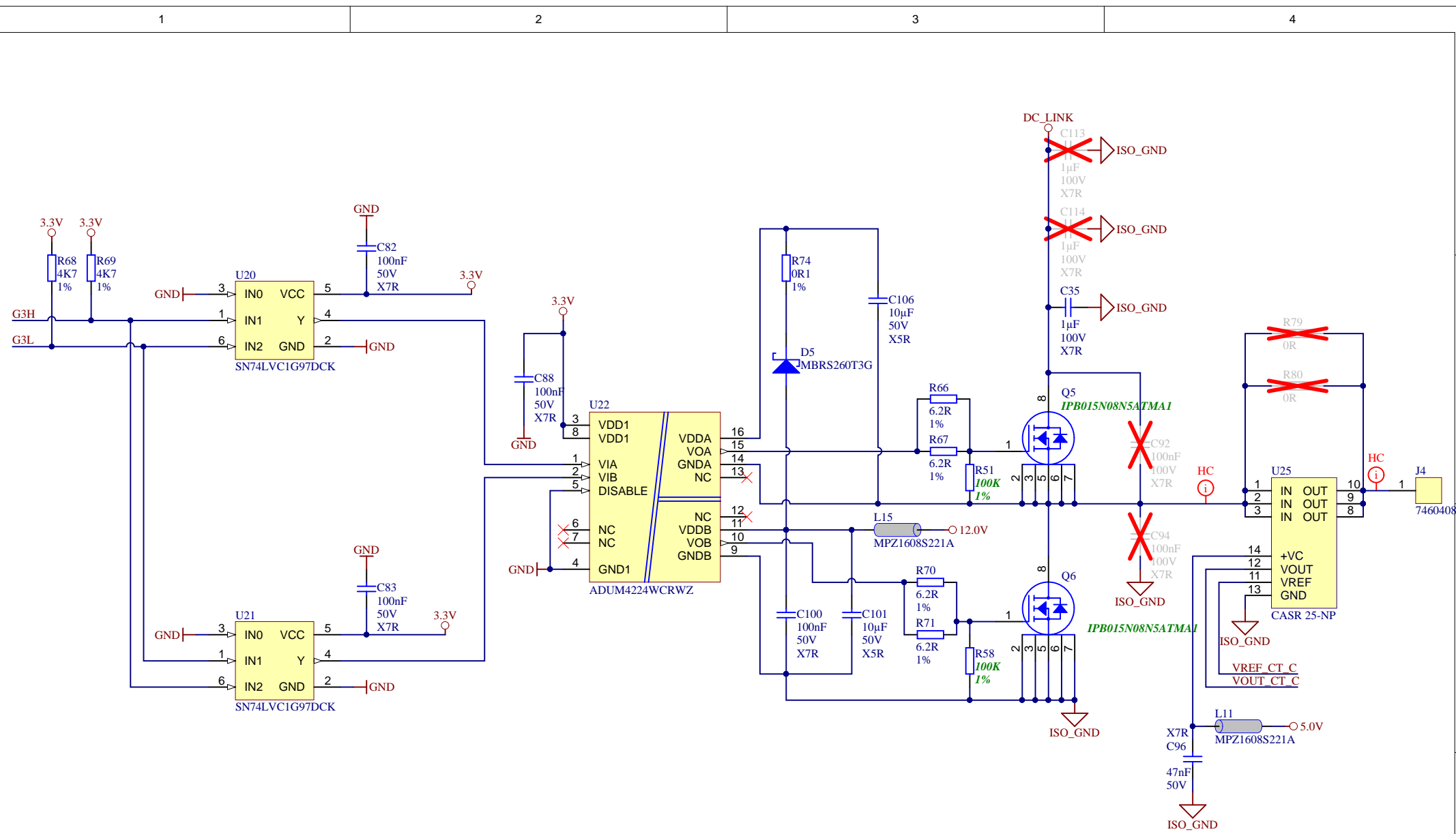
			Title: <b>TEC0053</b>	
			A4	Number: <b>TEC0053</b> <b>TEC0053-C</b>
Date: 2017-03-08		Copyright: Trenz Electronic GmbH		Page2 of 12
Filename: <b>ENCODER.SchDoc</b>				




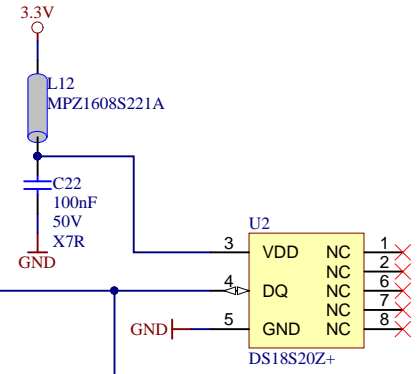
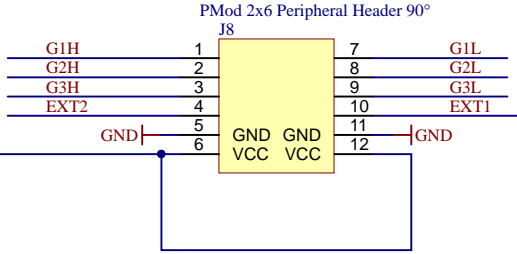
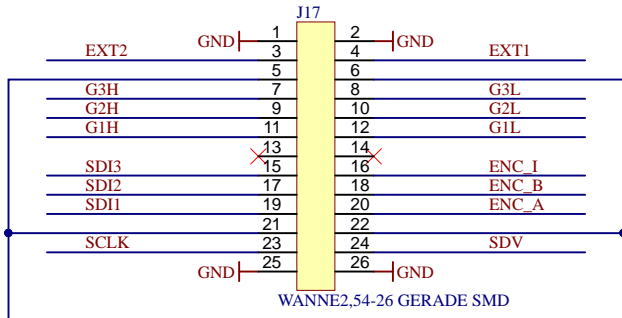
	Title: <b>TEC0053</b>	
	A4	Number: <b>TEC0053 TEC0053-C</b>
	Date: 2017-03-08	Copyright: Trenz Electronic GmbH
	Rev. <b>03</b>	Page3 of 12
Filename: <b>DRIVER_A.SchDoc</b>		



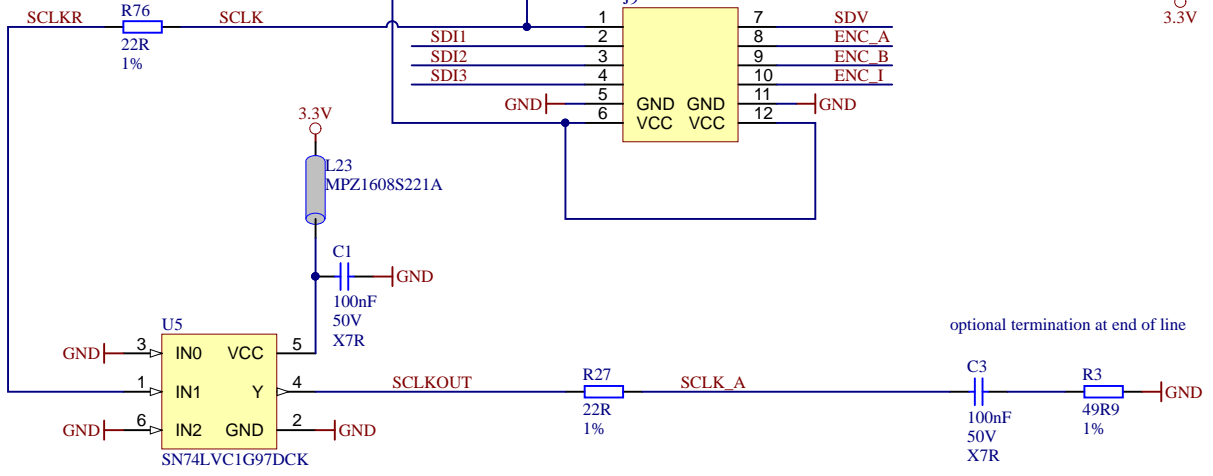
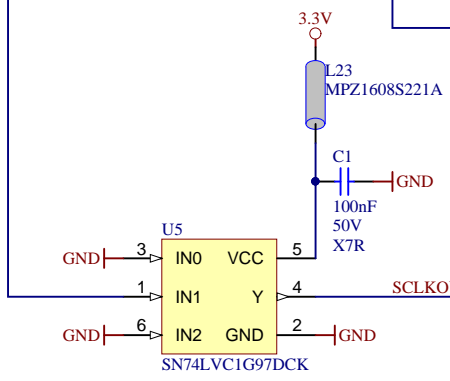
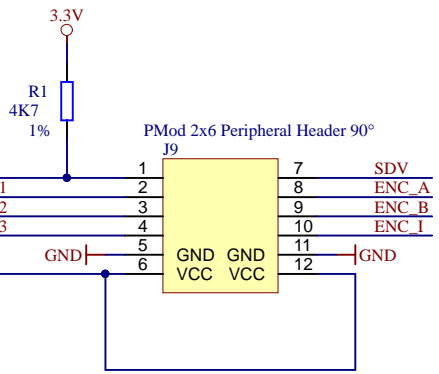
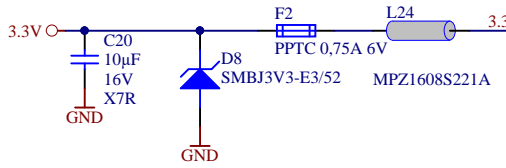
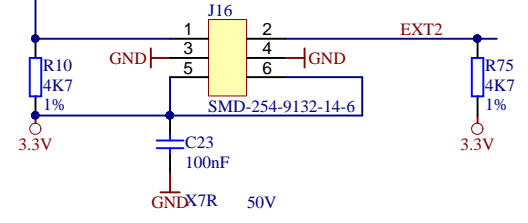
	Title: <b>TEC0053</b>	
	A4	Number: <b>TEC0053 TEC0053-C</b>
	Date: 2017-03-08	Copyright: Trenz Electronic GmbH
	Rev. <b>03</b>	Page 4 of 12
Filename: <b>DRIVER_B.SchDoc</b>		



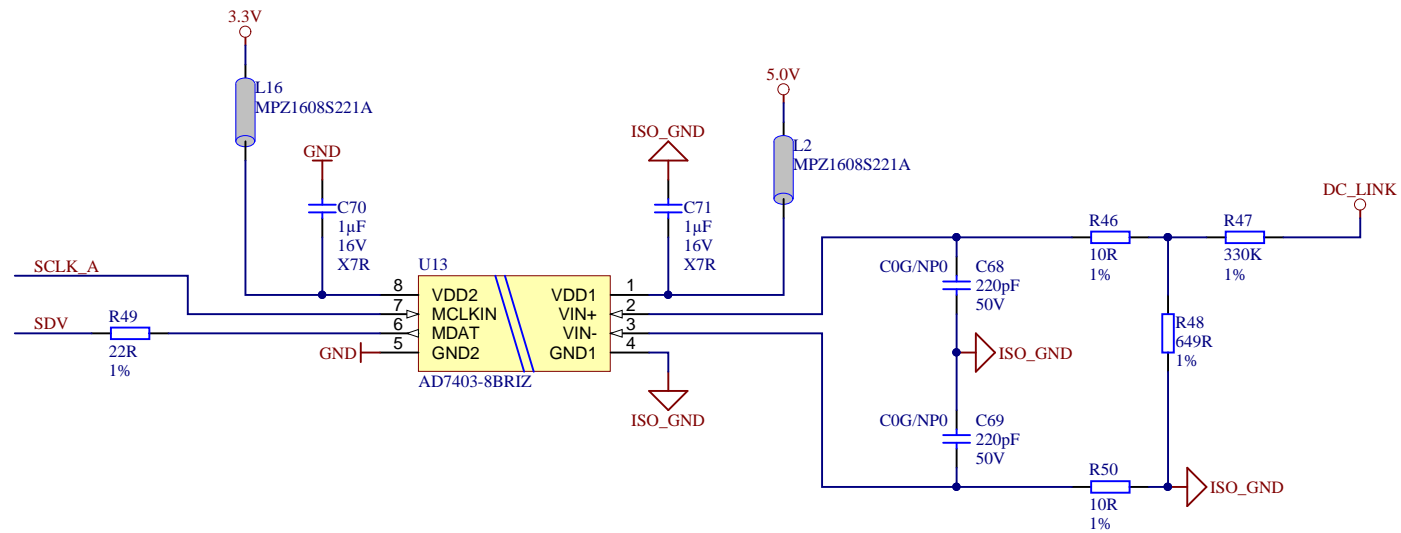
		Title: TEC0053	
		A4	Number: TEC0053 TEC0053-C
Date: 2017-03-08		Copyright: Trenz Electronic GmbH	
Filename: DRIVER_C.SchDoc		Page5 of 12	




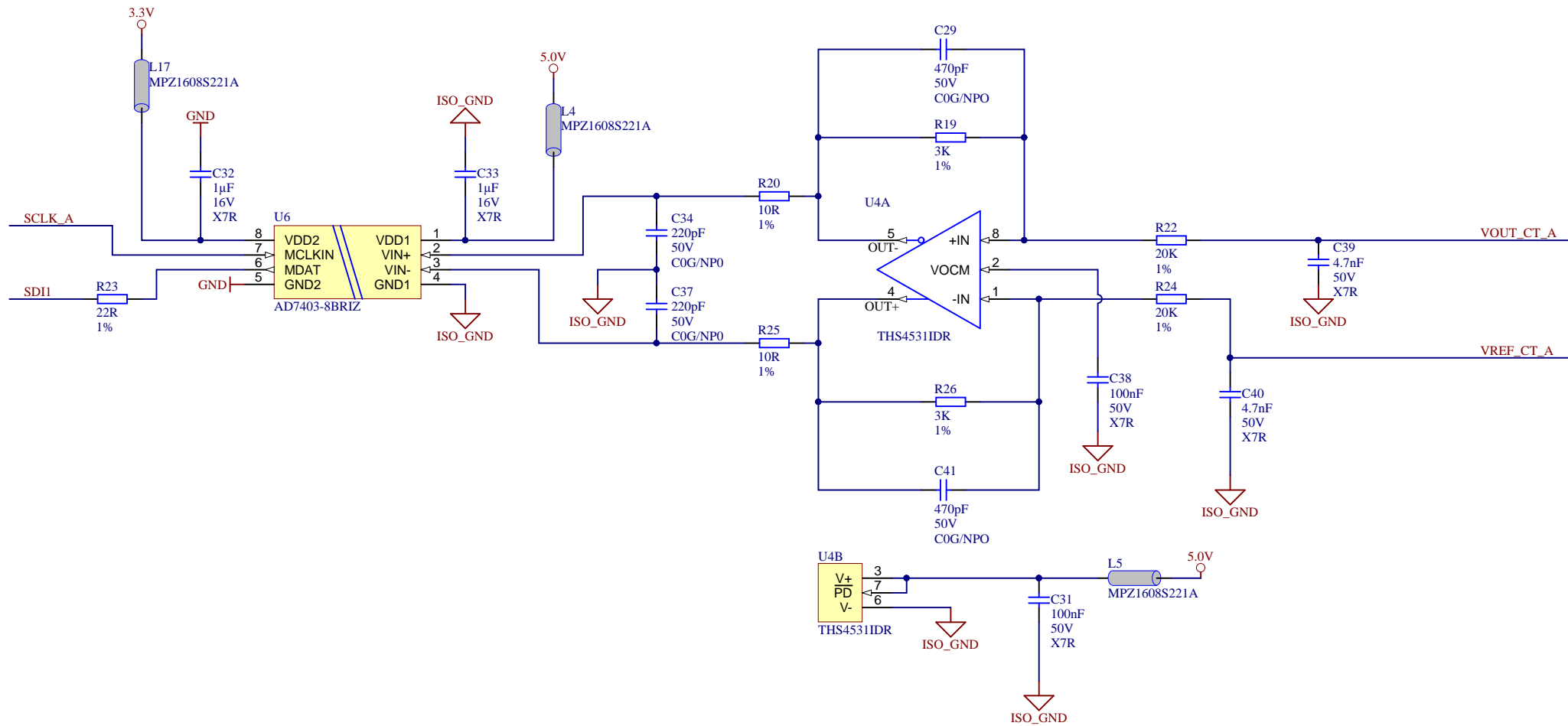
**1 - WIRE TEMPERATURE PROBE**




Title: TEC0053		
A4	Number: TEC0053 TEC0053-C	Rev. 03
Date: 2017-03-08	Copyright: Trenz Electronic GmbH	Page 6 of 12
Filename: HEADERS.SchDoc		

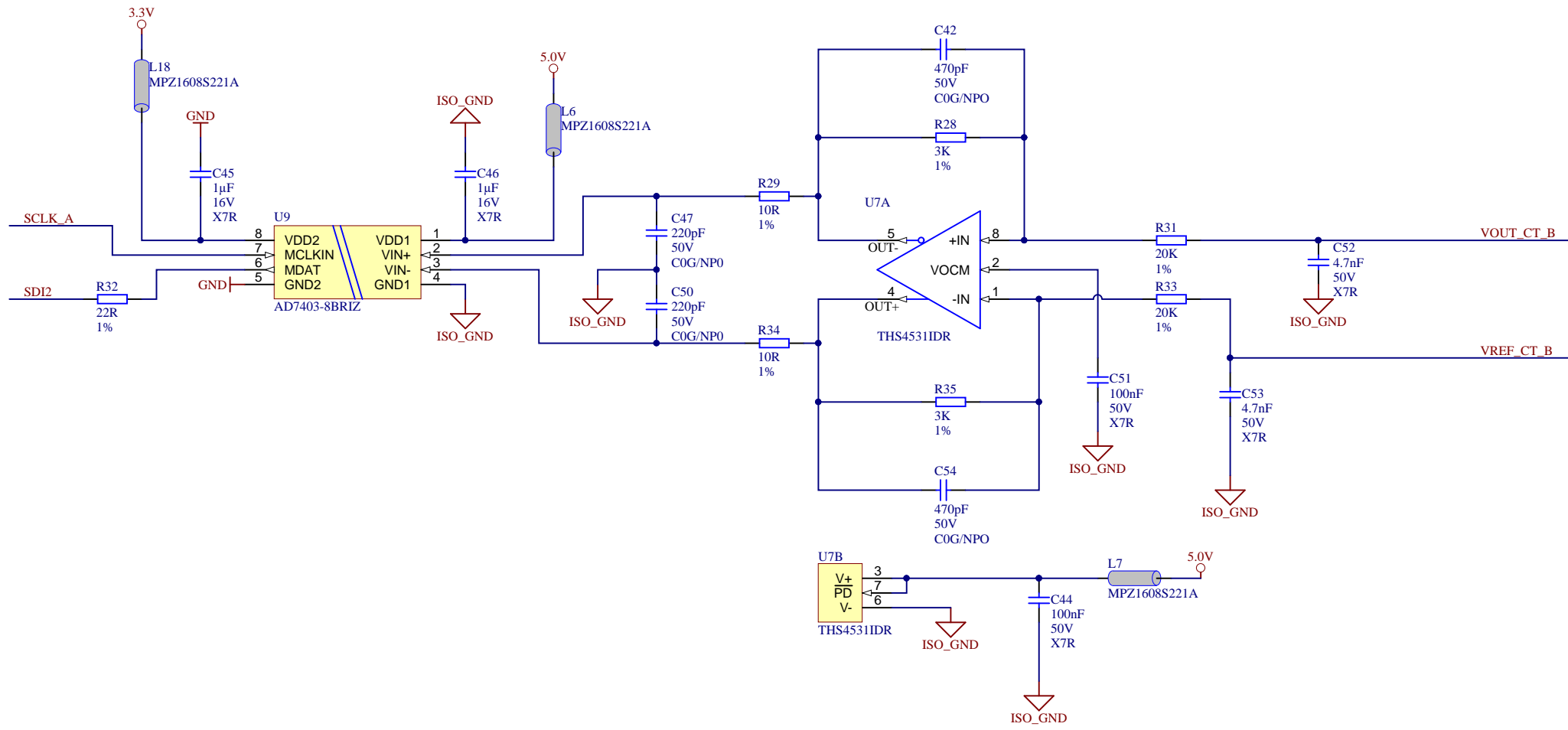



		Title: TEC0053	
		A4	Number: TEC0053 TEC0053-C
Date: 2017-03-08		Copyright: Trenz Electronic GmbH	
Page 7 of 12		Filename: ACQVOLTAGE.SchDoc	

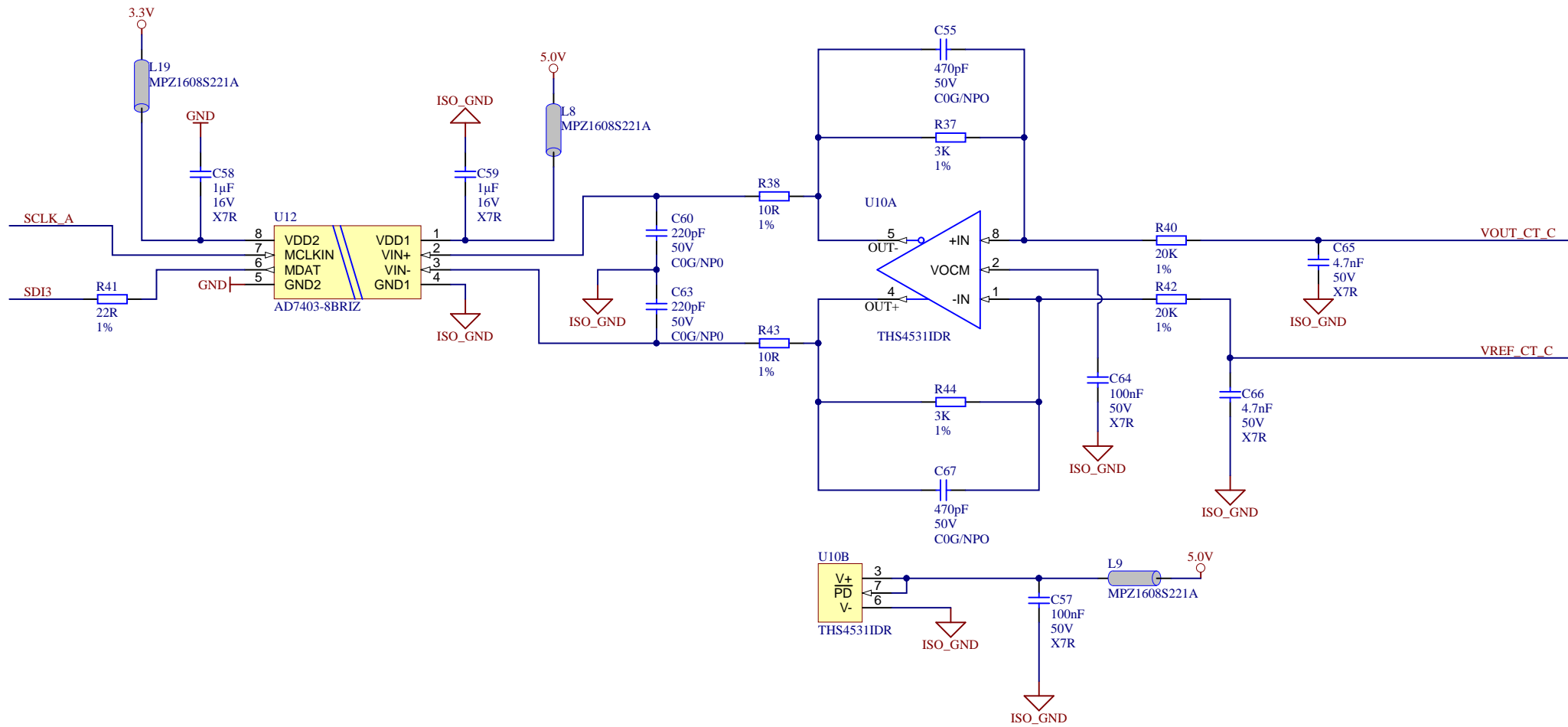



	Title: TEC0053		
	A4	Number: TEC0053 TEC0053-C	Rev. 03
	Date: 2017-03-08	Copyright: Trenz Electronic GmbH	Page 8 of 12
	Filename: ACQCURR_A.SchDoc		

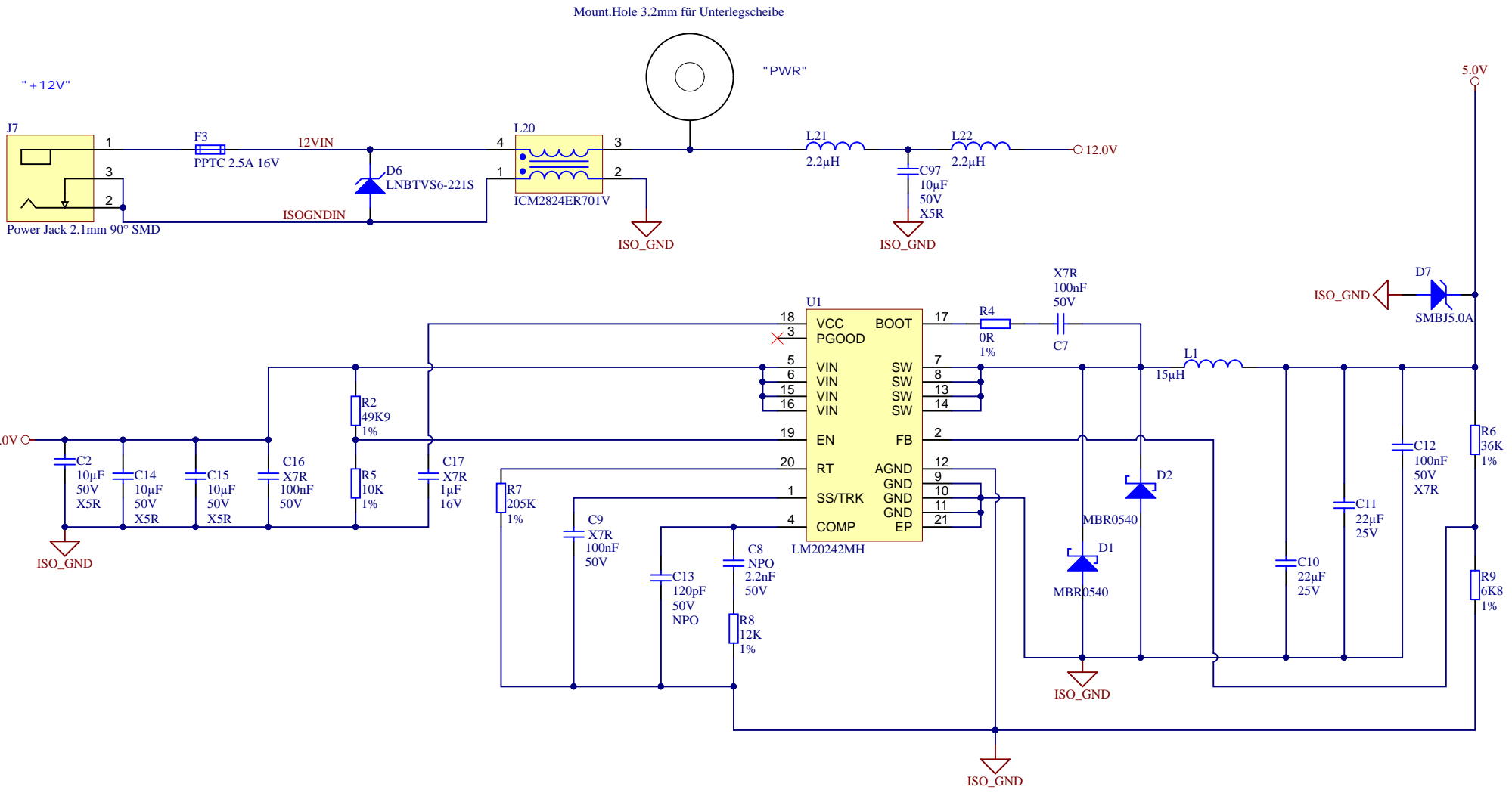




		Title: TEC0053	
		A4	Number: TEC0053 TEC0053-C
Date: 2017-03-08		Copyright: Trenz Electronic GmbH	
Filename: ACQCURR_B.SchDoc		Page 9 of 12	



	Title: <b>TEC0053</b>		
	A4	Number: <b>TEC0053 TEC0053-C</b>	Rev. <b>03</b>
	Date: <b>2017-03-08</b>	Copyright: <b>Trenz Electronic GmbH</b>	Page <b>10</b> of <b>12</b>
	Filename: <b>ACQCURR_C.SchDoc</b>		



Title: <b>TEC0053</b>		
A4	Number: <b>TEC0053 TEC0053-C</b>	Rev. <b>03</b>
Date: <b>2017-03-08</b>	Copyright: <b>Trenz Electronic GmbH</b>	Page <b>11</b> of <b>12</b>
Filename: <b>POWER.SchDoc</b>		

1

2

3


4

Revision -02

- =====
- 1) added pullupt on EXT2 signal on second onewire header
- 2) added input buffers to reduce digital load
- 3) removed option to mount THR capacitors
- 4) reduced PCB size
- 5) changed 3x 3pin THT header (enc term) to single 2x5 pin SMD
- 6) changed 5 pin THR enc header to 6 pin SMD
- 7) changed shrouded 2x5 header to SMD header
- 8) changed 2 4-pin THT headers to one 2x3 SMD
- 9) changed high current terminals to correct type
- 10) added 3 jumpers as mechanical parts
- 11) added transil on 3.3V and 5V
- 12) added resettable fuses on 12V and 3.3V
- 13) changed board size, holes and connectors positions

Revision -03

- =====
- 1) New fuse F3
- 2) Changed board size
- 3) Added ferrite bead to net 3.3V\_IN/3.3V
- 4)

	Title: <b>TEC0053</b>		
	A4	Number: <b>TEC0053</b> <b>TEC0053-C</b>	Rev. <b>03</b>
	Date: <b>2017-03-08</b>	Copyright: <b>Trenz Electronic GmbH</b>	Page <b>12</b> of <b>12</b>
	Filename: <b>REVISION_CHANGES.SchDoc</b>		

1

2

3

4

A

A

B

B

C

C

D

D