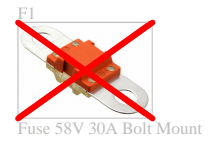
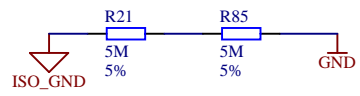
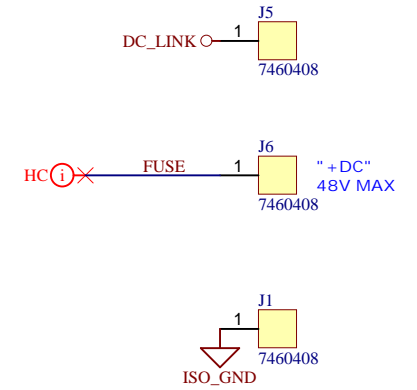
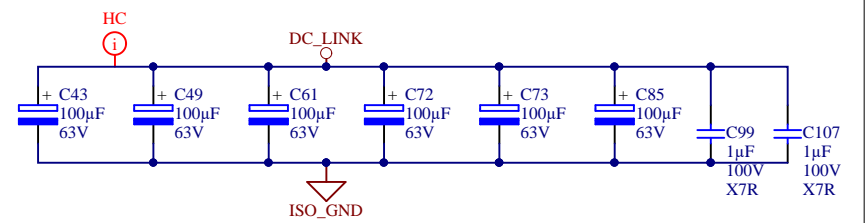
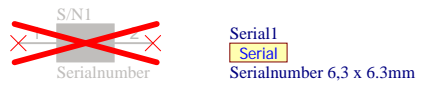
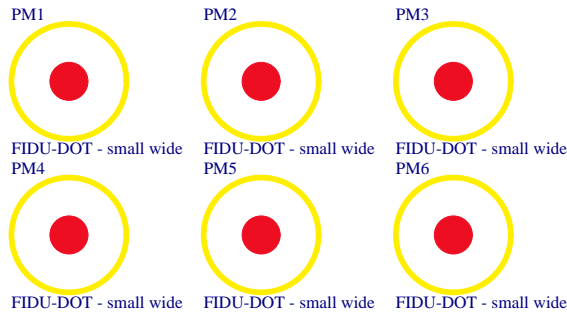
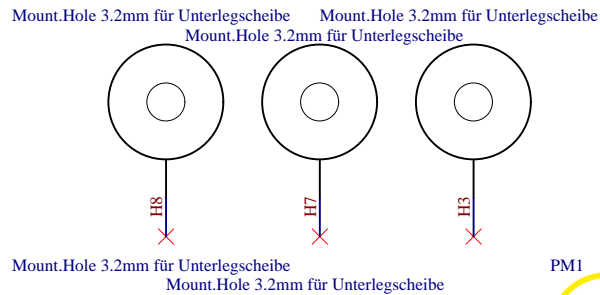
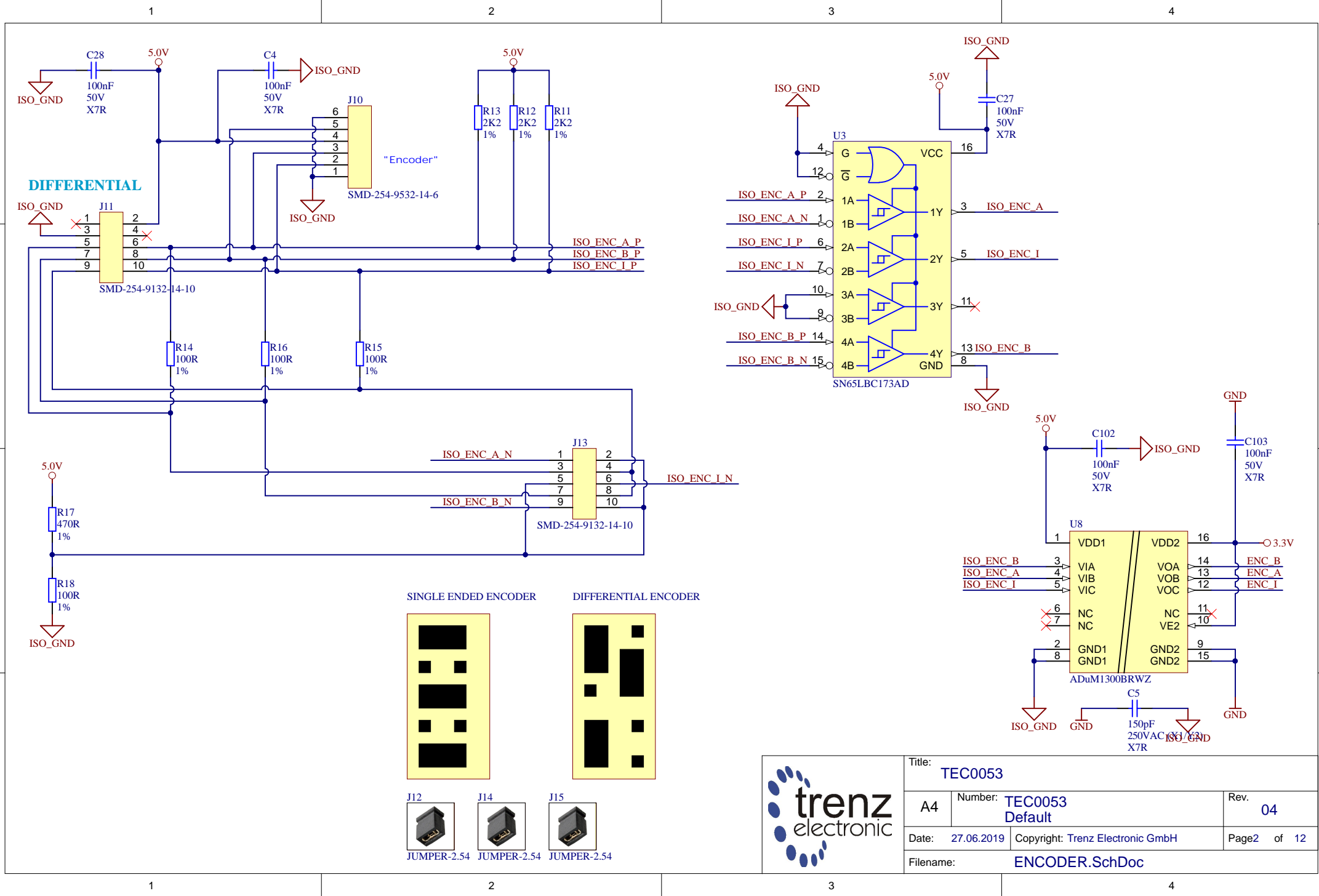


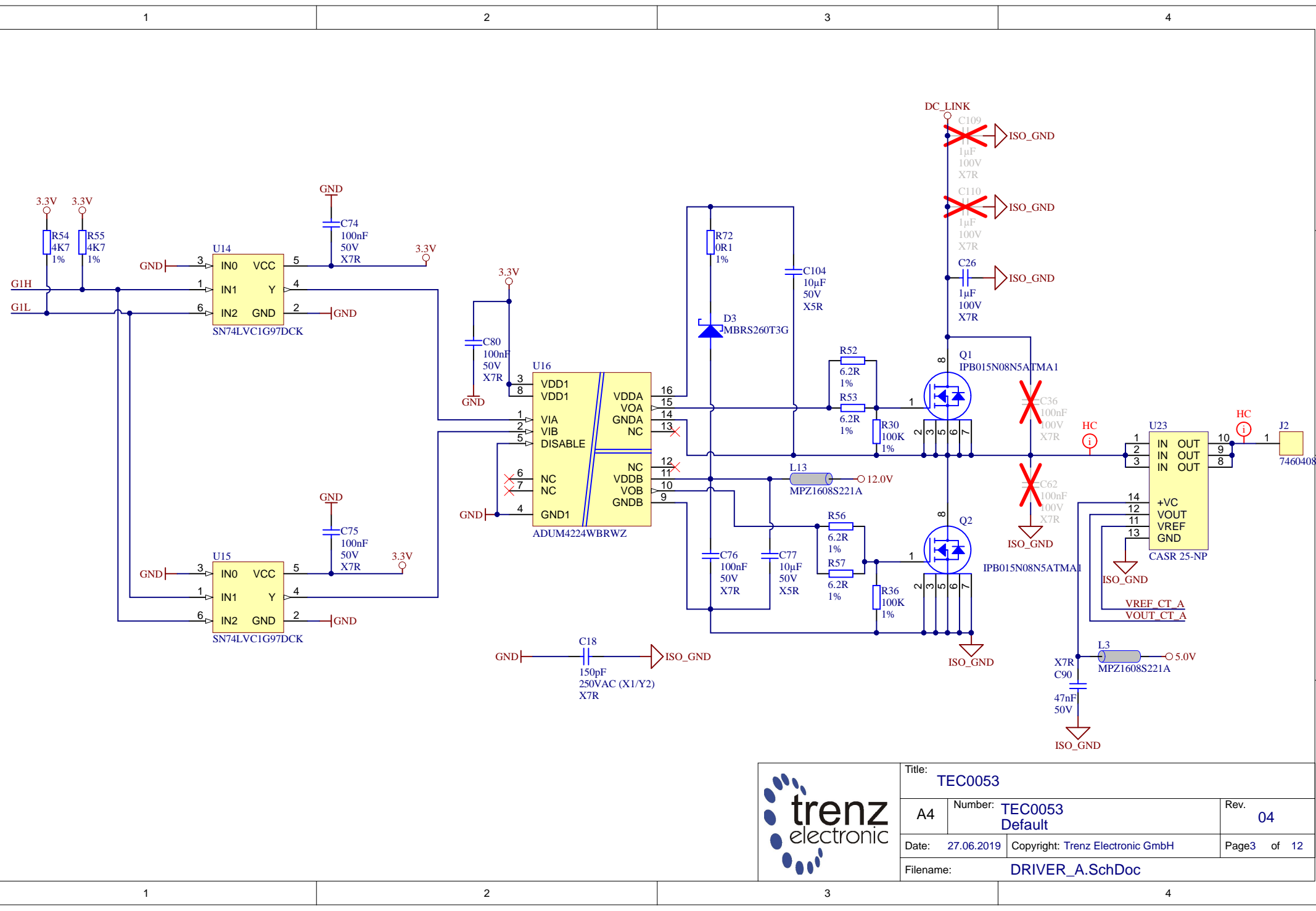
- U_ACQCURR_A
ACQCURR_A.SchDoc
- U_ACQCURR_B
ACQCURR_B.SchDoc
- U_ACQCURR_C
ACQCURR_C.SchDoc
- U_ACQVOLTAGE
ACQVOLTAGE.SchDoc
- U_DRIVER_A
DRIVER_A.SchDoc
- U_DRIVER_B
DRIVER_B.SchDoc
- U_DRIVER_C
DRIVER_C.SchDoc
- U_ENCODER
ENCODER.SchDoc
- U_HEADERS
HEADERS.SchDoc
- U_POWER
POWER.SchDoc




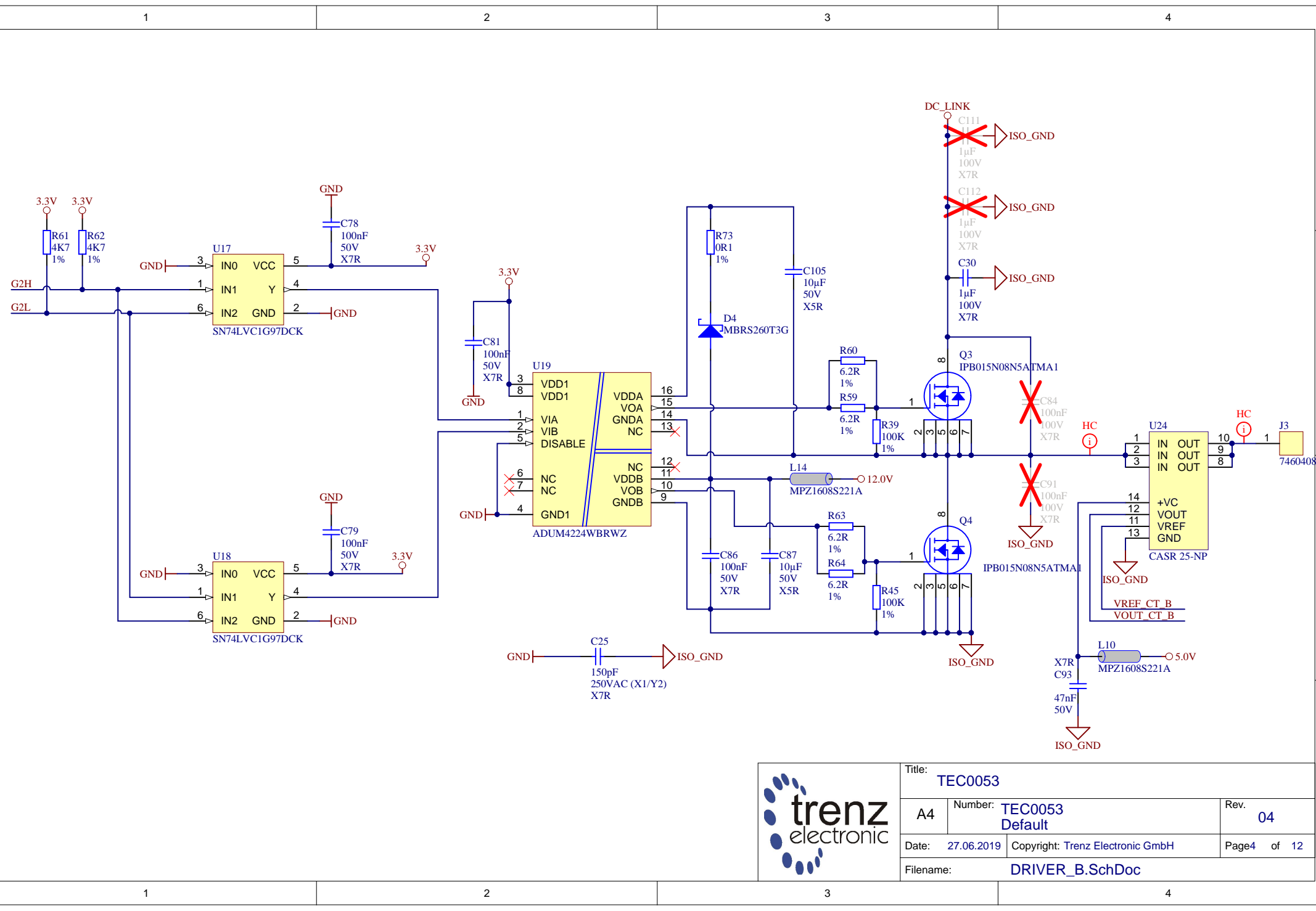
	Title: TEC0053		
	A4	Number: TEC0053 Default	Rev. 04
	Date: 27.06.2019	Copyright: Trenz Electronic GmbH	Page1 of 12
	Filename: TEC0053.SchDoc		



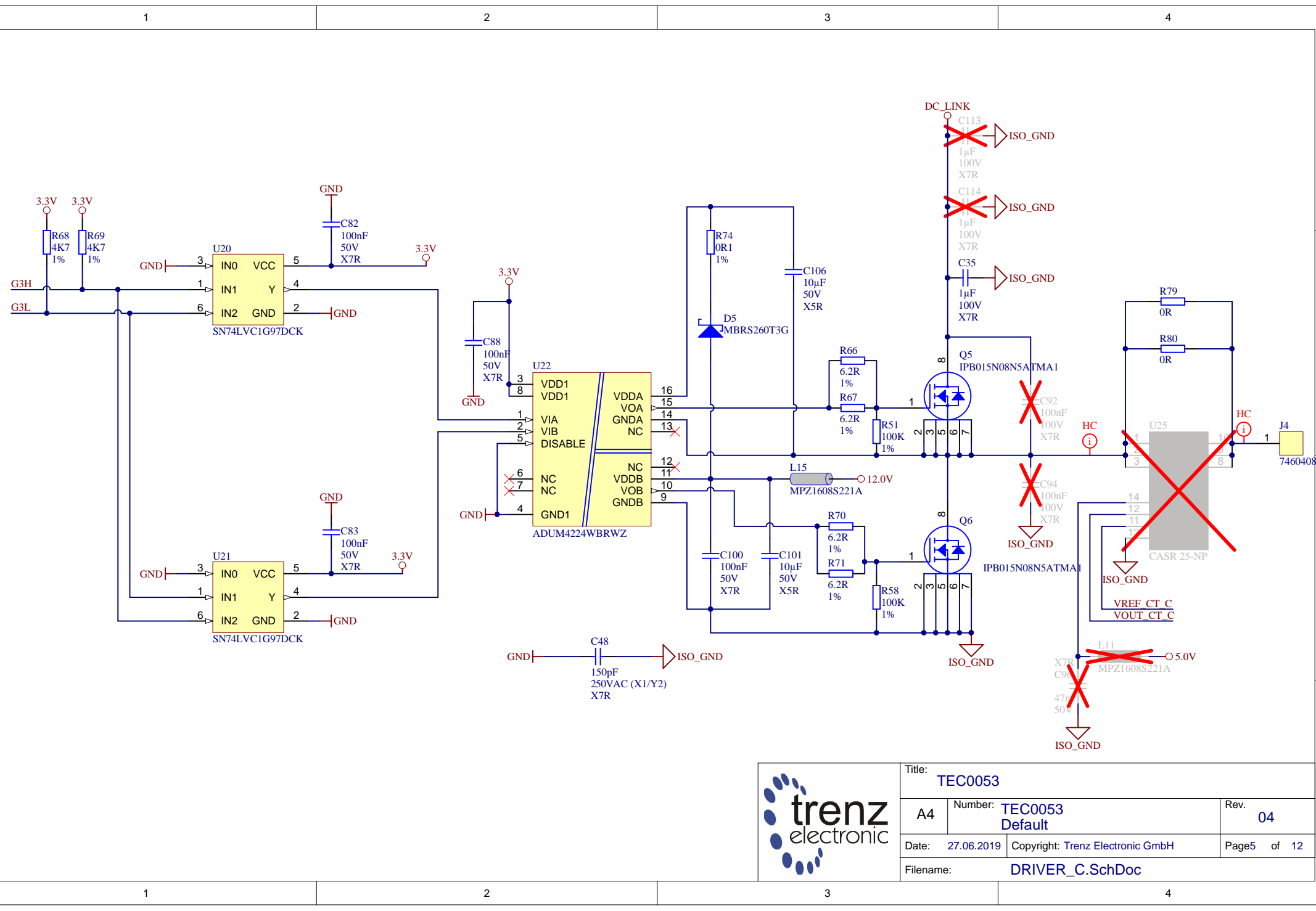
			Title: TEC0053	
			A4 Number: TEC0053 Default	Rev. 04
Date: 27.06.2019		Copyright: Trenz Electronic GmbH		Page2 of 12
Filename: ENCODER.SchDoc				




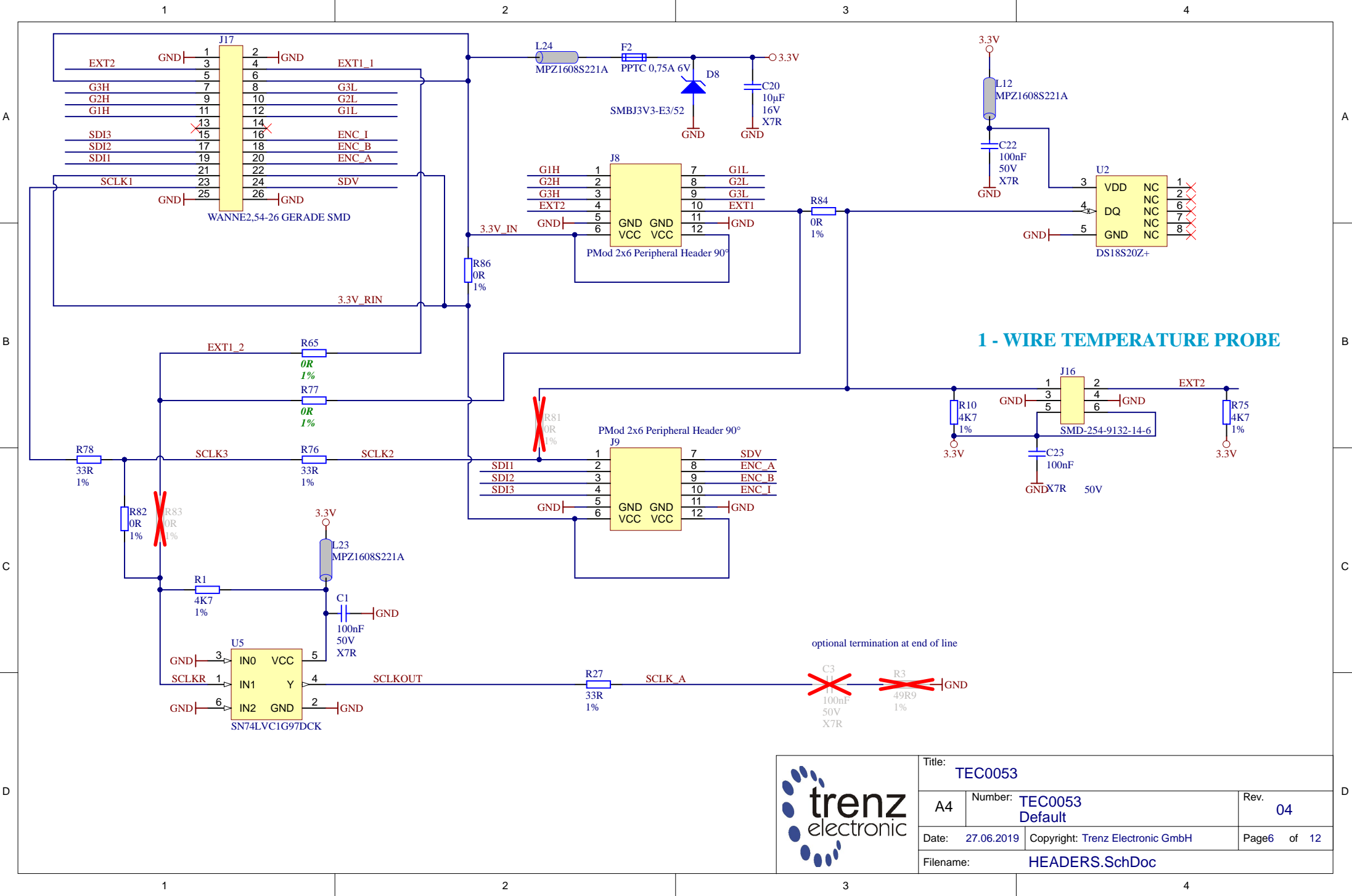
		Title: TEC0053	
		A4	Number: TEC0053 Default
Date: 27.06.2019		Copyright: Trenz Electronic GmbH	
Filename: DRIVER_A.SchDoc		Page3 of 12	




	Title: TEC0053	
	A4	Number: TEC0053 Default
	Date: 27.06.2019	Copyright: Trenz Electronic GmbH
	Rev. 04	Page 4 of 12
Filename: DRIVER_B.SchDoc		

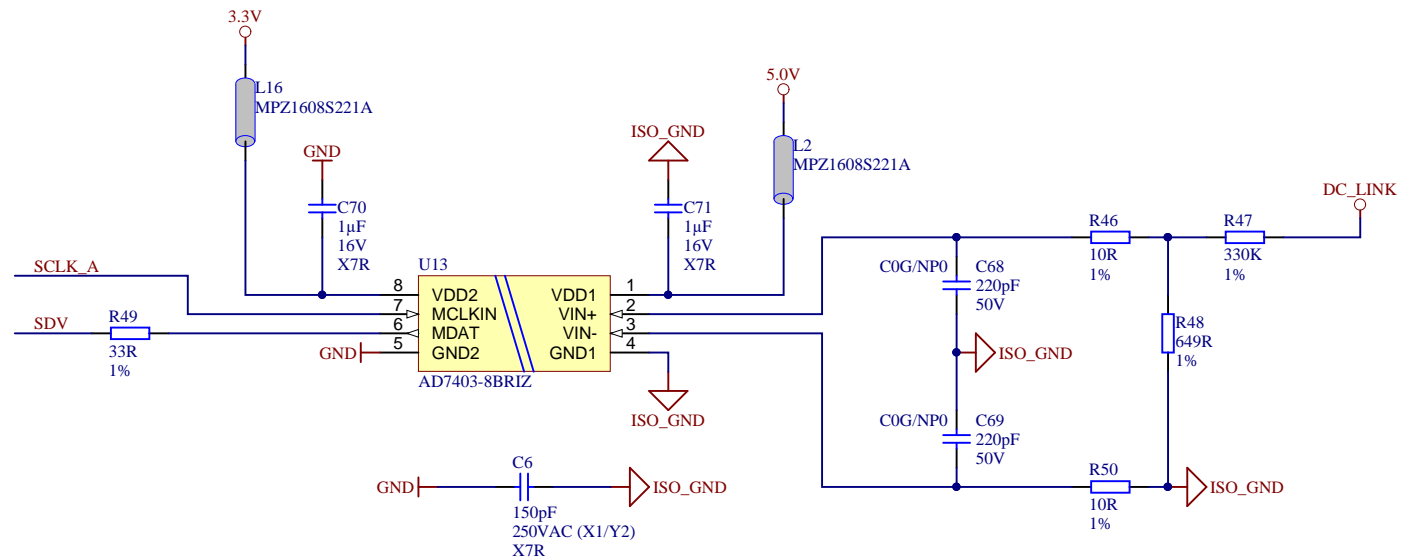



	Title: TEC0053		
	A4	Number: TEC0053 Default	Rev. 04
	Date: 27.06.2019	Copyright: Trenz Electronic GmbH	Page 5 of 12
	Filename: DRIVER_C.SchDoc		

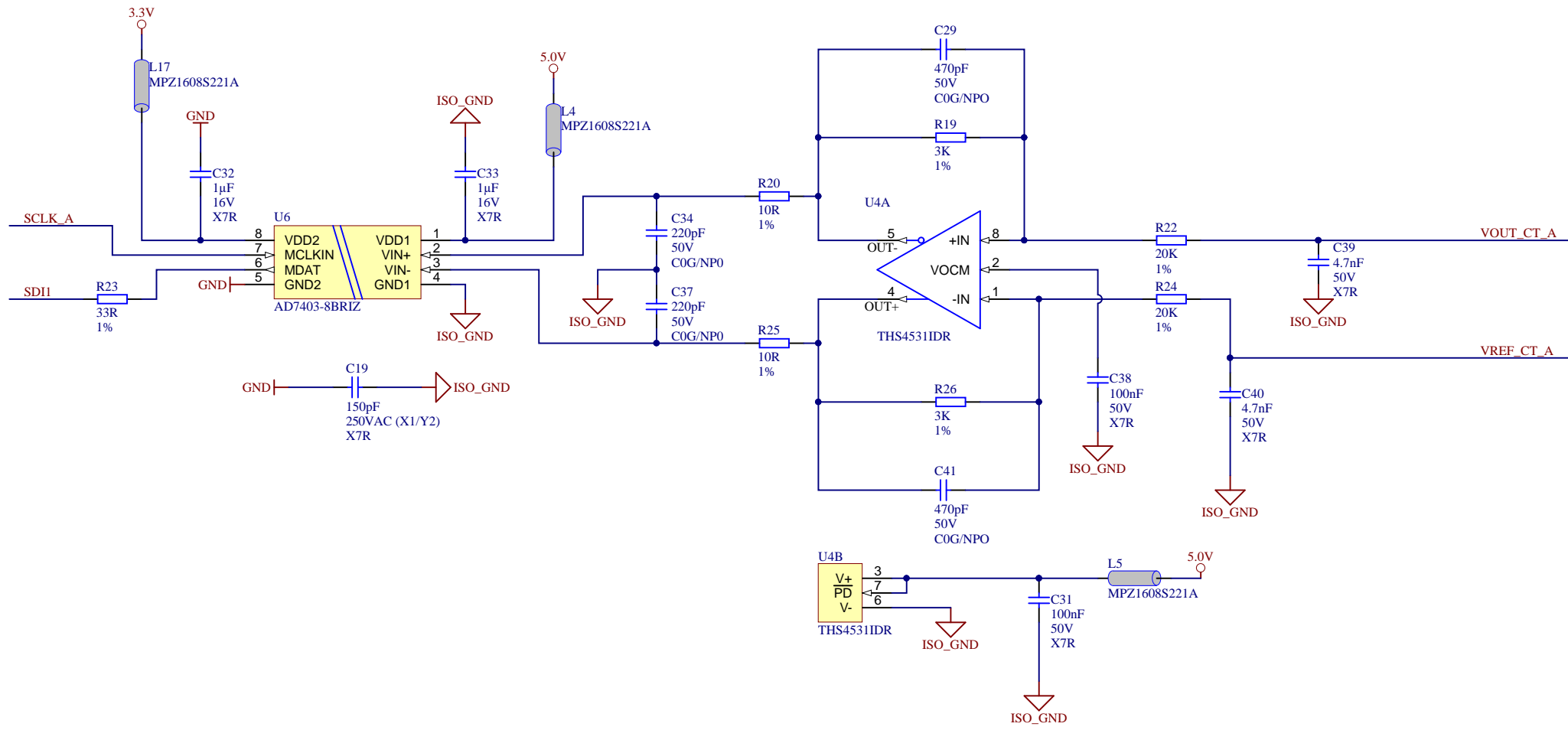



1 - WIRE TEMPERATURE PROBE

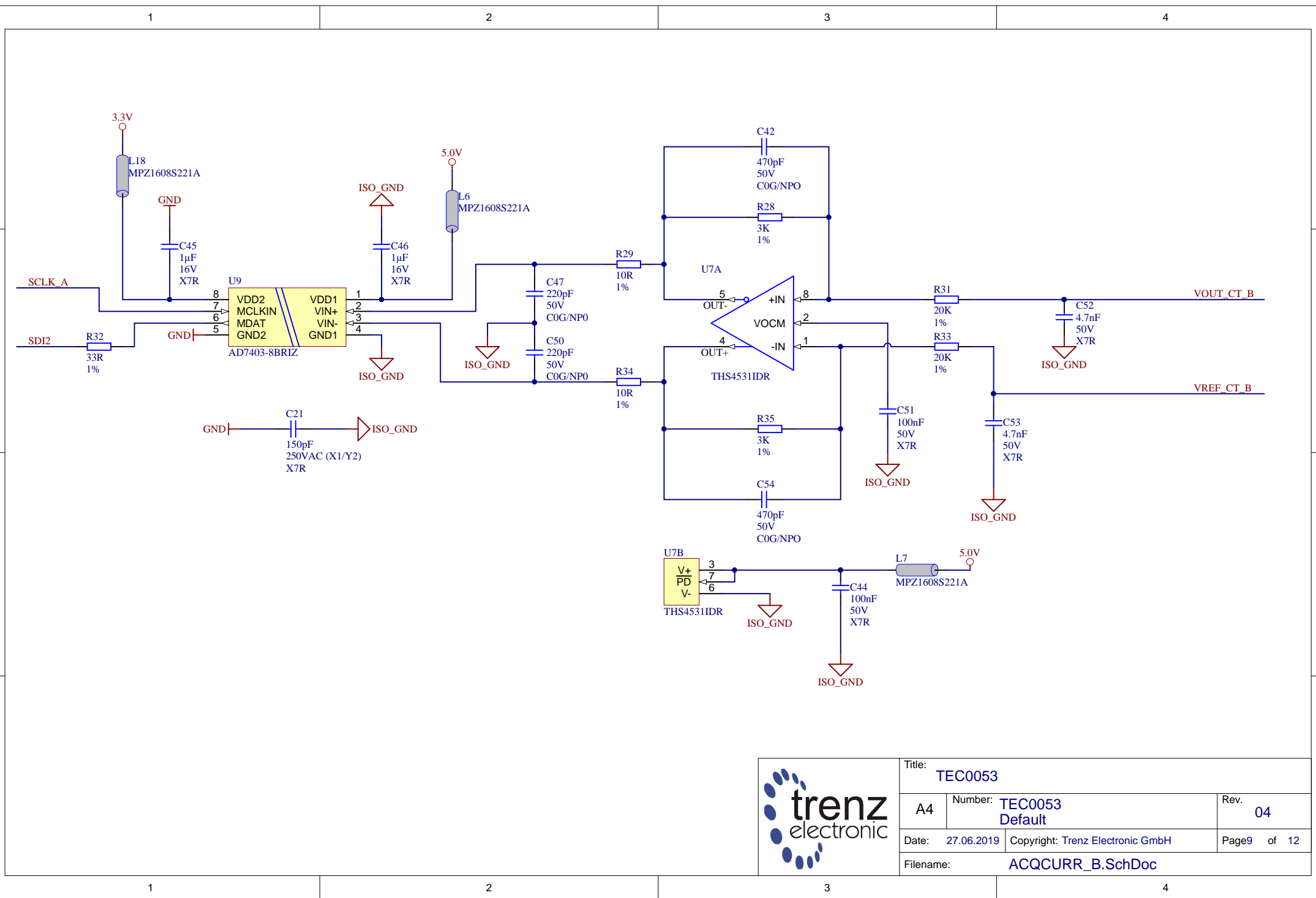
			Title: TEC0053	
			A4	Number: TEC0053 Default
Date: 27.06.2019		Copyright: Trenz Electronic GmbH		Page 6 of 12
Filename: HEADERS.SchDoc				



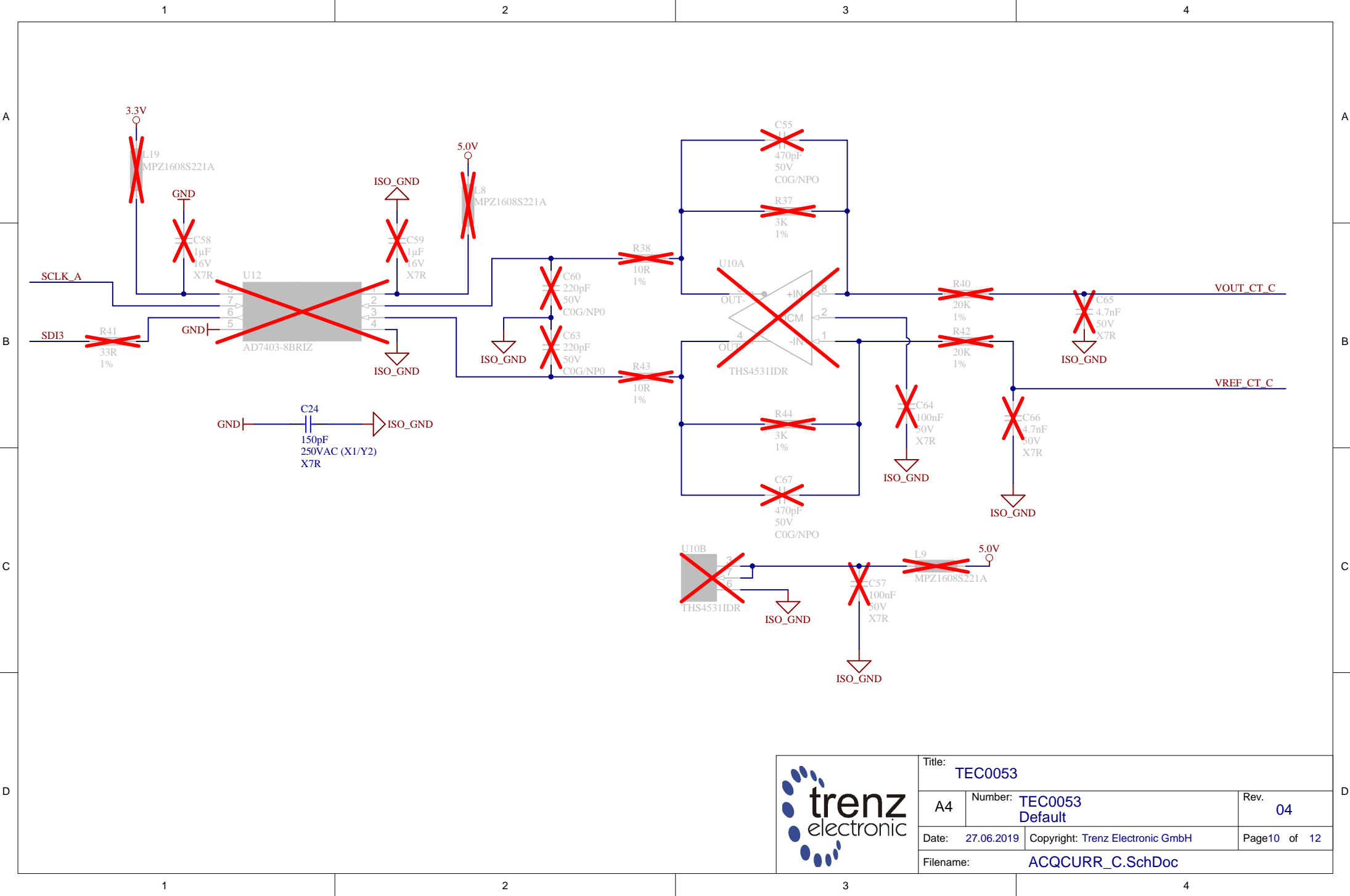
			Title: TEC0053	
			A4	Number: TEC0053 Default
Date: 27.06.2019		Copyright: Trenz Electronic GmbH		Page 7 of 12
Filename: ACQVOLTAGE.SchDoc				



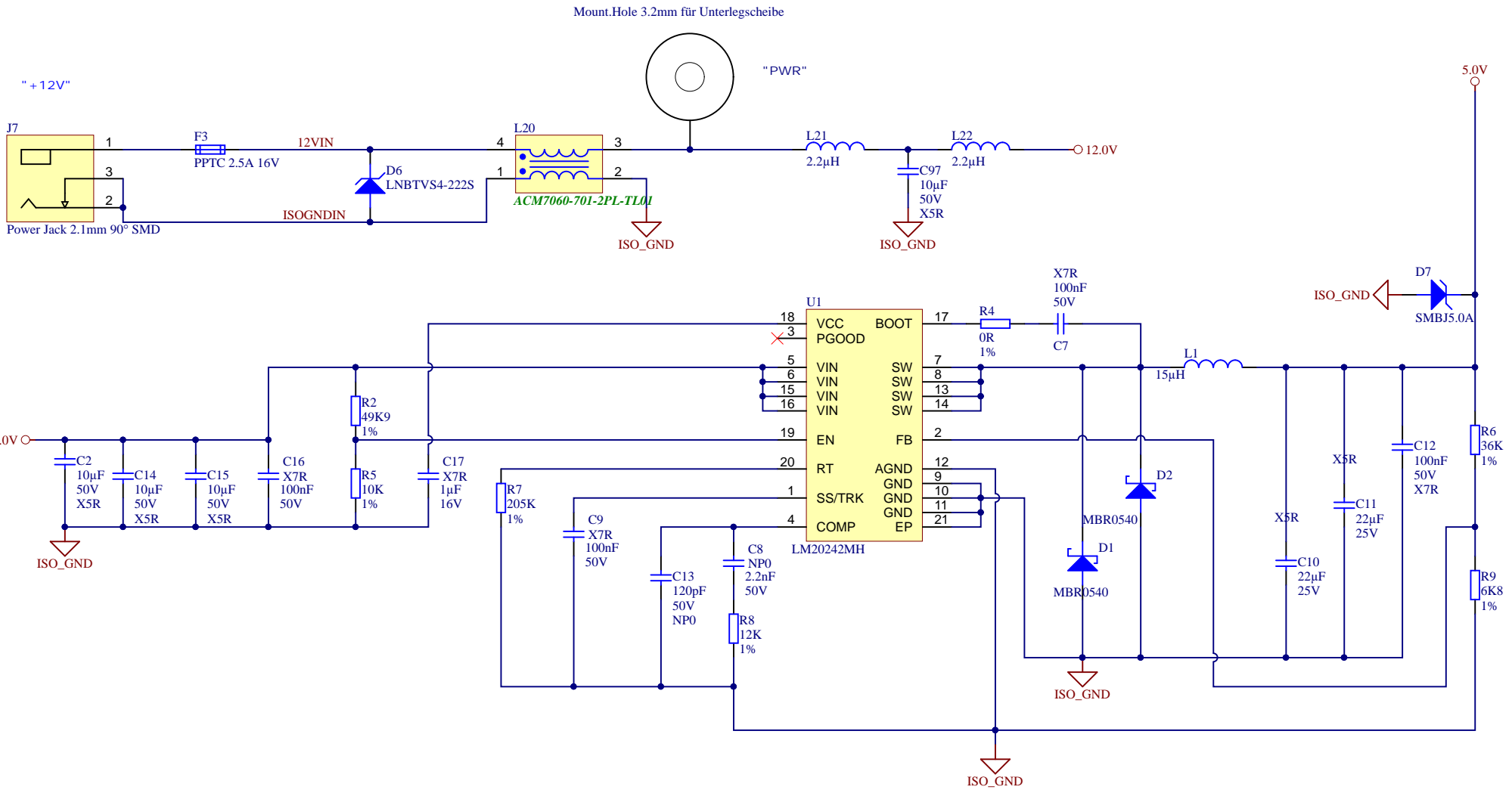
	Title: TEC0053		
	A4	Number: TEC0053 Default	Rev. 04
	Date: 27.06.2019	Copyright: Trenz Electronic GmbH	Page 8 of 12
	Filename: ACQCURR_A.SchDoc		



Title: TEC0053		
A4	Number: TEC0053 Default	Rev. 04
Date: 27.06.2019	Copyright: Trenz Electronic GmbH	Page 9 of 12
Filename: ACQCURR_B.SchDoc		



	Title: TEC0053		
	A4	Number: TEC0053 Default	Rev. 04
	Date: 27.06.2019	Copyright: Trenz Electronic GmbH	Page 10 of 12
	Filename: ACQCURR_C.SchDoc		



Title: TEC0053		
A4	Number: TEC0053 Default	Rev. 04
Date: 2017-07-28	Copyright: Trenz Electronic GmbH	Page 11 of 12
Filename: POWER.SchDoc		

Revision -02


- 1) added pullupt on EXT2 signal on second onewire header
- 2) added input buffers to reduce digital load
- 3) removed option to mount THR capacitors
- 4) reduced PCB size
- 5) changed 3x 3pin THT header (enc term) to single 2x5 pin SMD
- 6) changed 5 pin THR enc header to 6 pin SMD
- 7) changed shrouded 2x5 header to SMD header
- 8) changed 2 4-pin THT headers to one 2x3 SMD
- 9) changed high current terminals to correct type
- 10) added 3 jumpers as mechanical parts
- 11) added transil on 3.3V and 5V
- 12) added resettable fuses on 12V and 3.3V
- 13) changed board size, holes and connectors positions

Revision -03

- 1) New fuse F3
- 2) Changed board size
- 3) Added ferrite bead to net 3.3V_IN/3.3V

Revision -04

- 1) Added variant -D: option to swap between signal sources SCLK and EXT1.
 - 2) Resistors 22 Ohm replaced with 33 Ohm
 - 3) New data clock signal SCLK routing. Sources separated by 33 Ohm resistors.
 - 4) GND and ISO_GND nets "stitching" via 150pF X1/Y2 capasitors.
 - 5) ADUM4224WCRWZ replaced with ADUM4224WBRWZ
- 28.05.2019:
6) Replaced part: L20 ICM2824ER701V (Obsolete) -> ACM7060-701-2PL-TL01
- 24.03.2021:
7) VY: Replaced part: D6 LNBTVS6-221S (Obsolete) -> LNBTVS4-222S

	Title: TEC0053		
	A4	Number: TEC0053 Default	Rev. 04
	Date: 06.04.2021	Copyright: Trenz Electronic GmbH	Page 12 of 12
	Filename: REVISION_CHANGES.SchDoc		