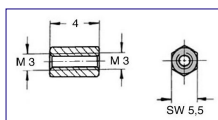
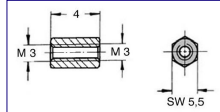


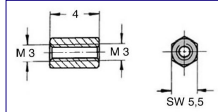
Distance Holder M3x4



Distance Holder M3x4



Distance Holder M3x4

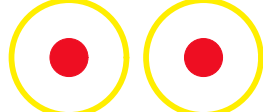


Distance Holder M3x4

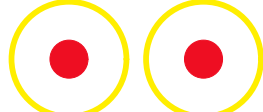


Screw M3x6 Screw M3x6 Screw M3x6 Screw M3x6

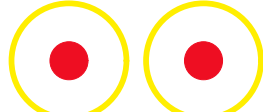
FIDU-DOT - small FIDU-DOT - small



PM1 FIDU-DOT - small PM2 FIDU-DOT - small

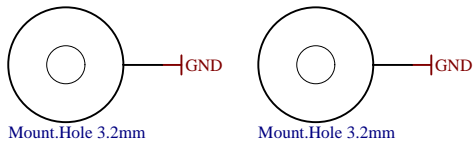
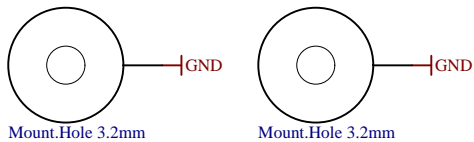


PM3 FIDU-DOT - small PM4 FIDU-DOT - small

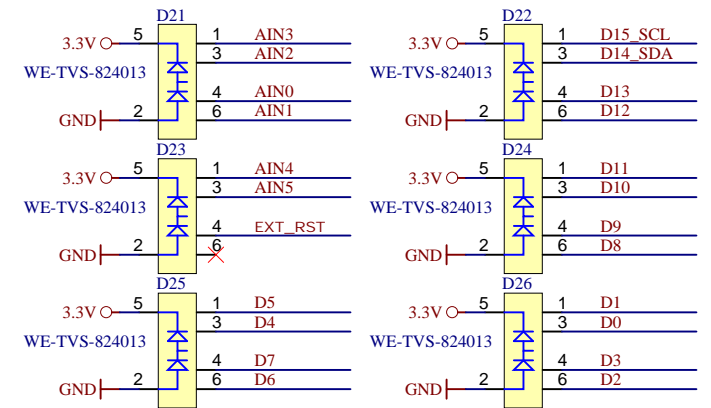
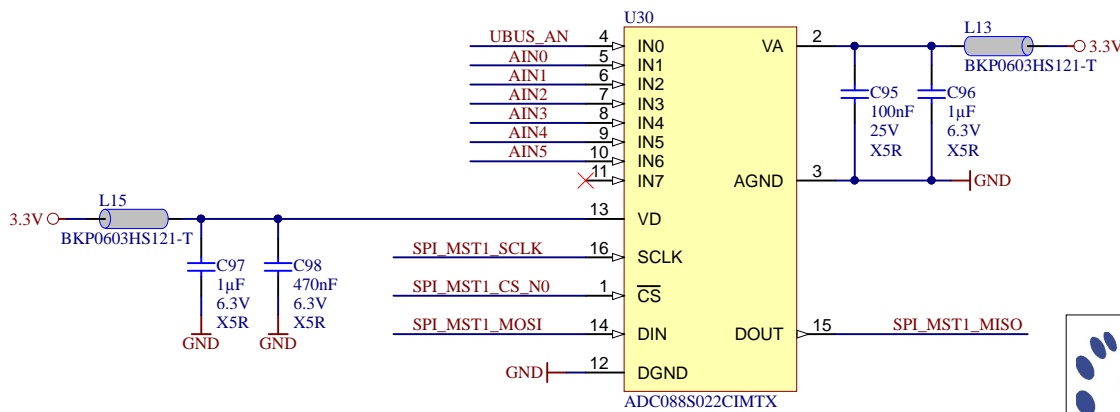
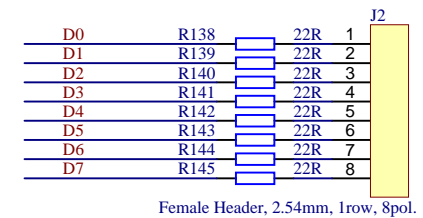
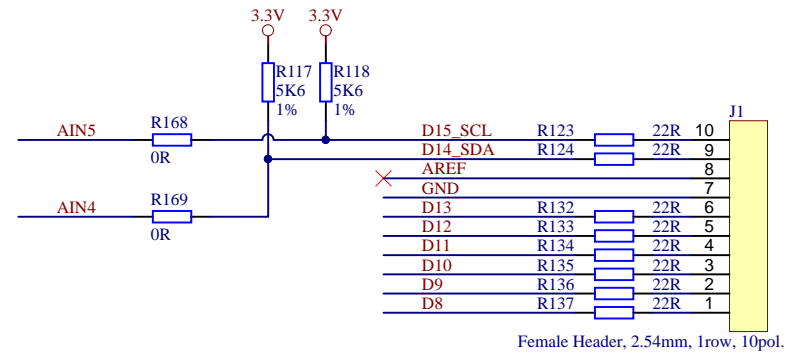
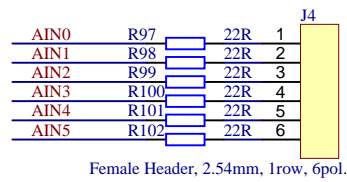
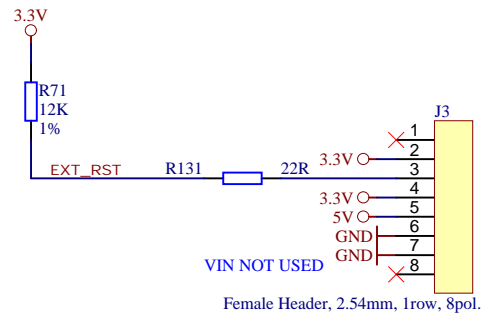
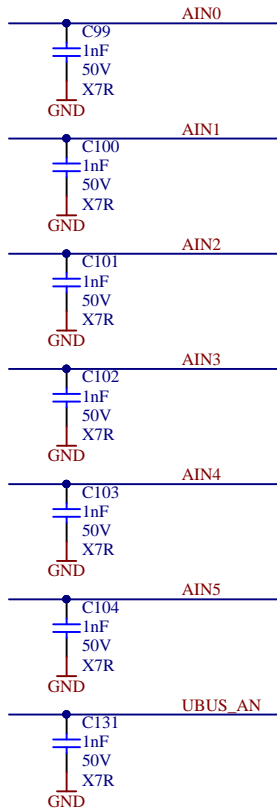


PM5 FIDU-DOT - small PM6 FIDU-DOT - small

Serial
Serial
Serialnumber 6,3 x 6.3mm

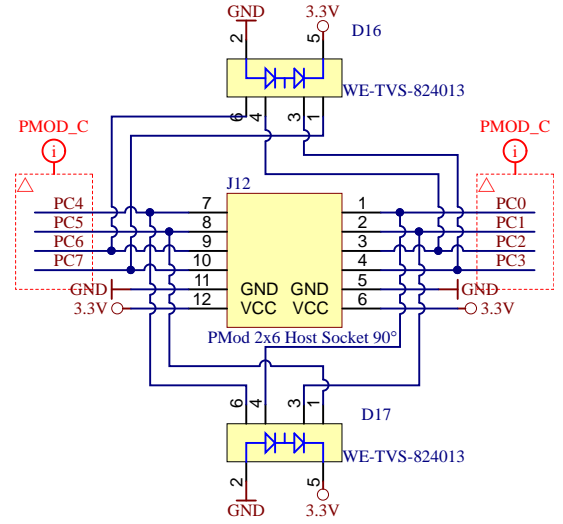
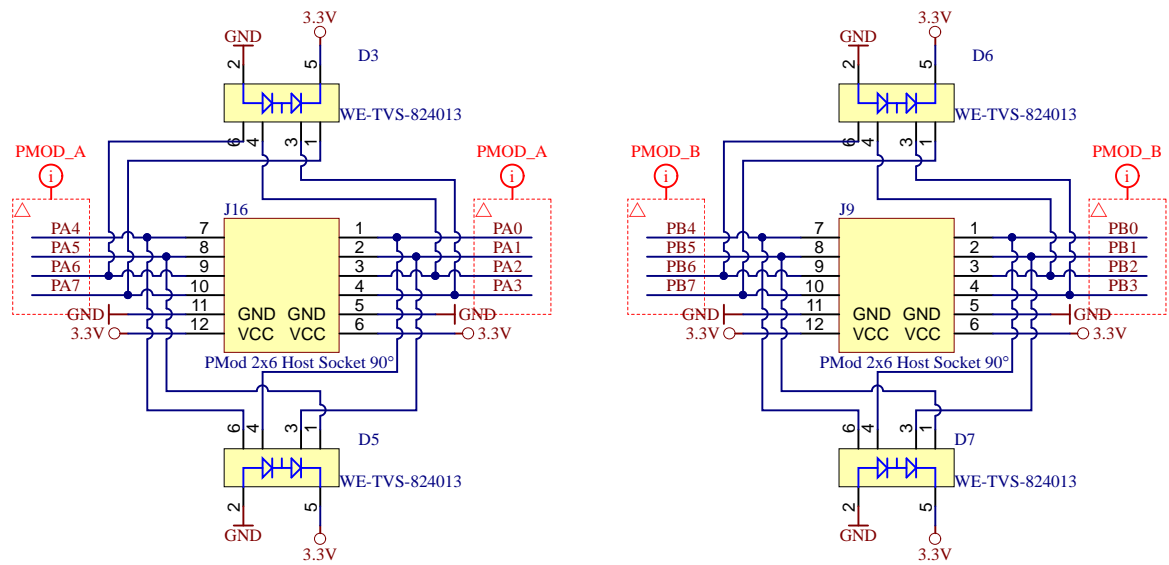
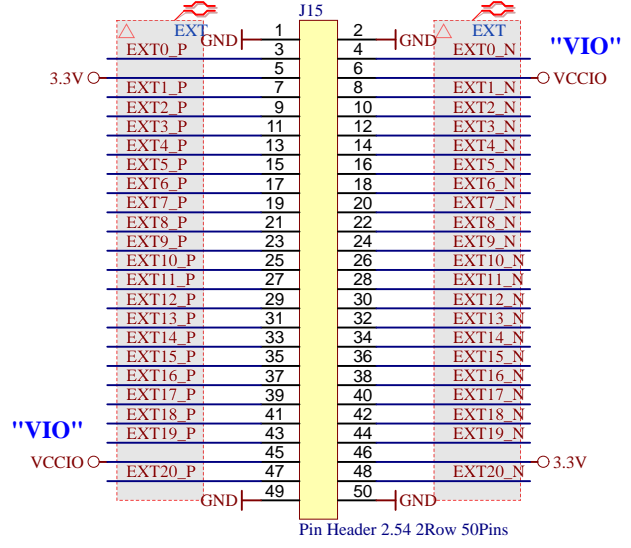
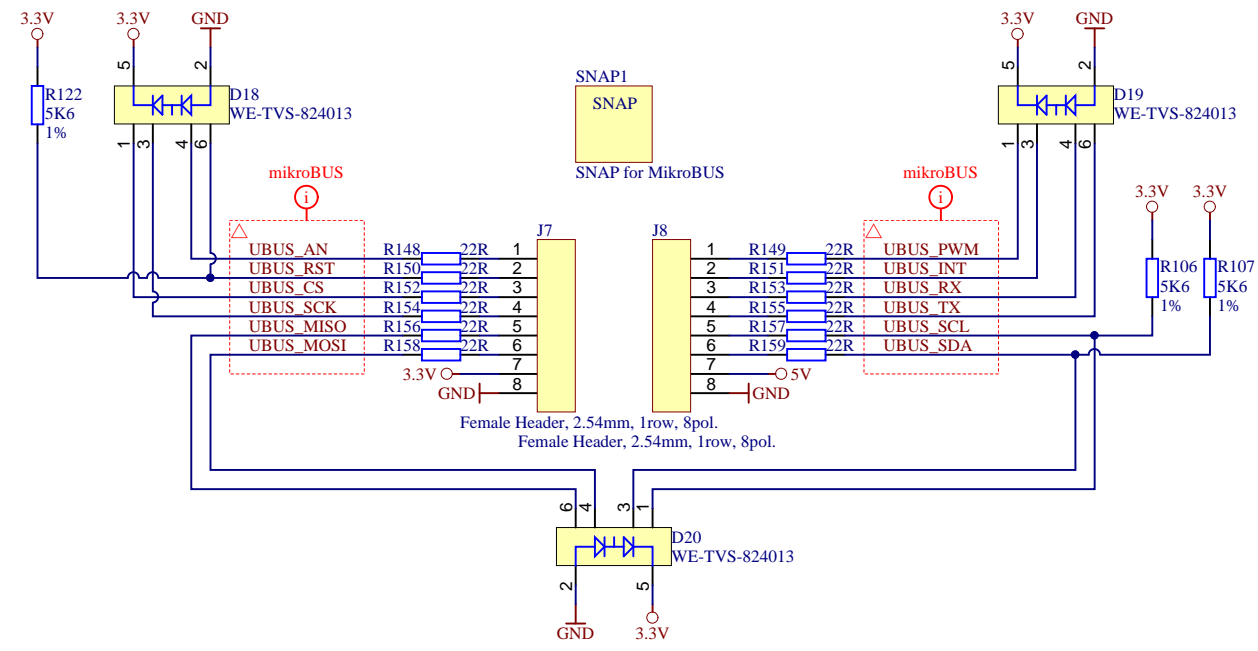


Title: TEC0089		
A4	Number: TEC0089 325-2CC	Rev. 02
Date: 20.06.2018	Copyright: Trenz Electronic GmbH	Page1 of 25
Filename: EMDK.SchDoc		



Title: **TEC0089 - Connectors**

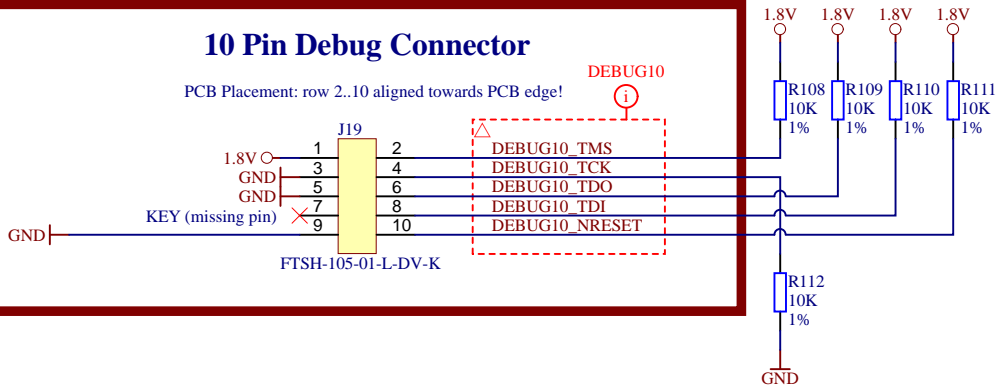
A4	Number: TEC0089 325-2CC	Rev. 02
Date: 20.06.2018	Copyright: Trenz Electronic GmbH	Page2 of 25
Filename: A-Headers.SchDoc		



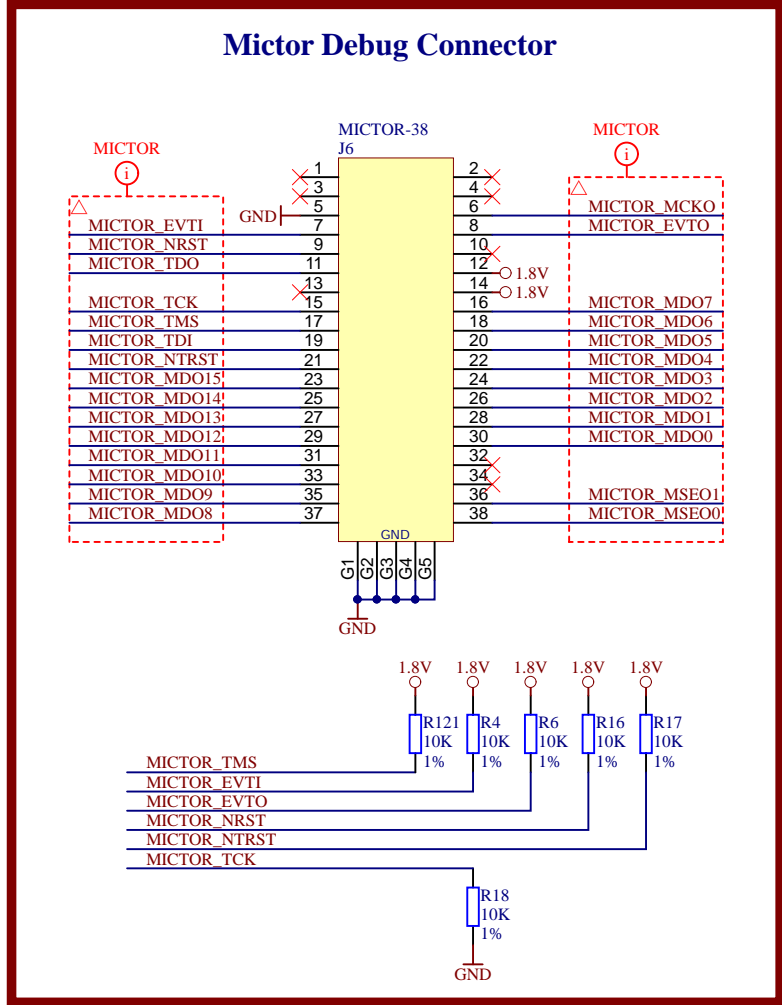
Title: TEC0089 - Connectors		
A4	Number: TEC0089 325-2CC	Rev. 02
Date: 20.06.2018	Copyright: Trenz Electronic GmbH	Page3 of 25
Filename: Connectors.SchDoc		

10 Pin Debug Connector

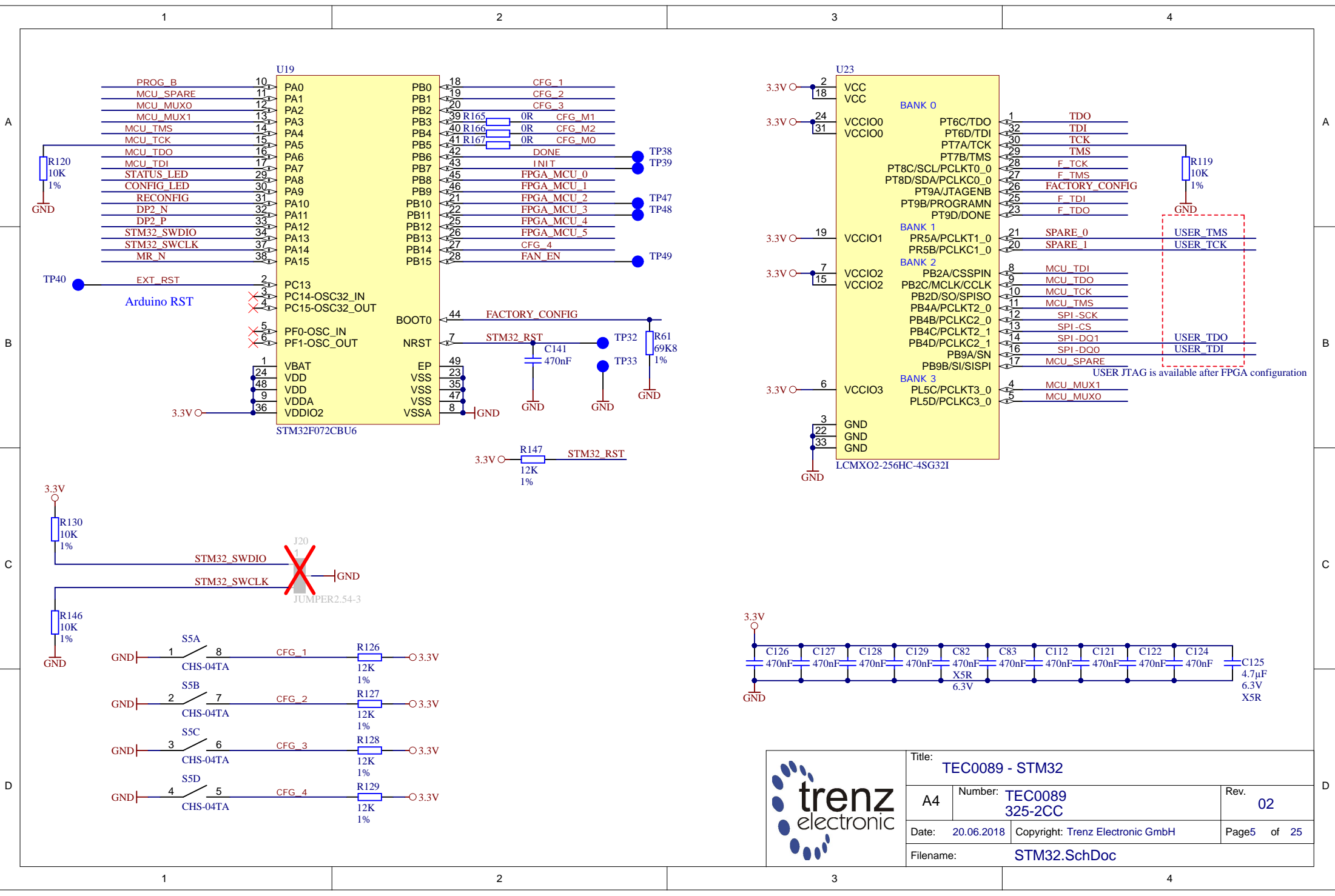
PCB Placement: row 2..10 aligned towards PCB edge!



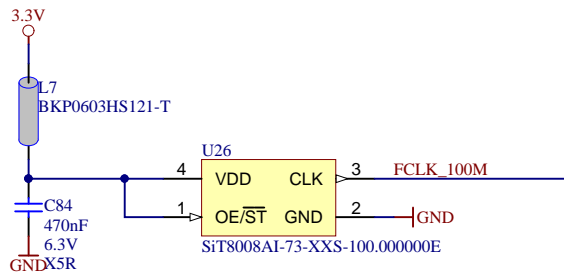
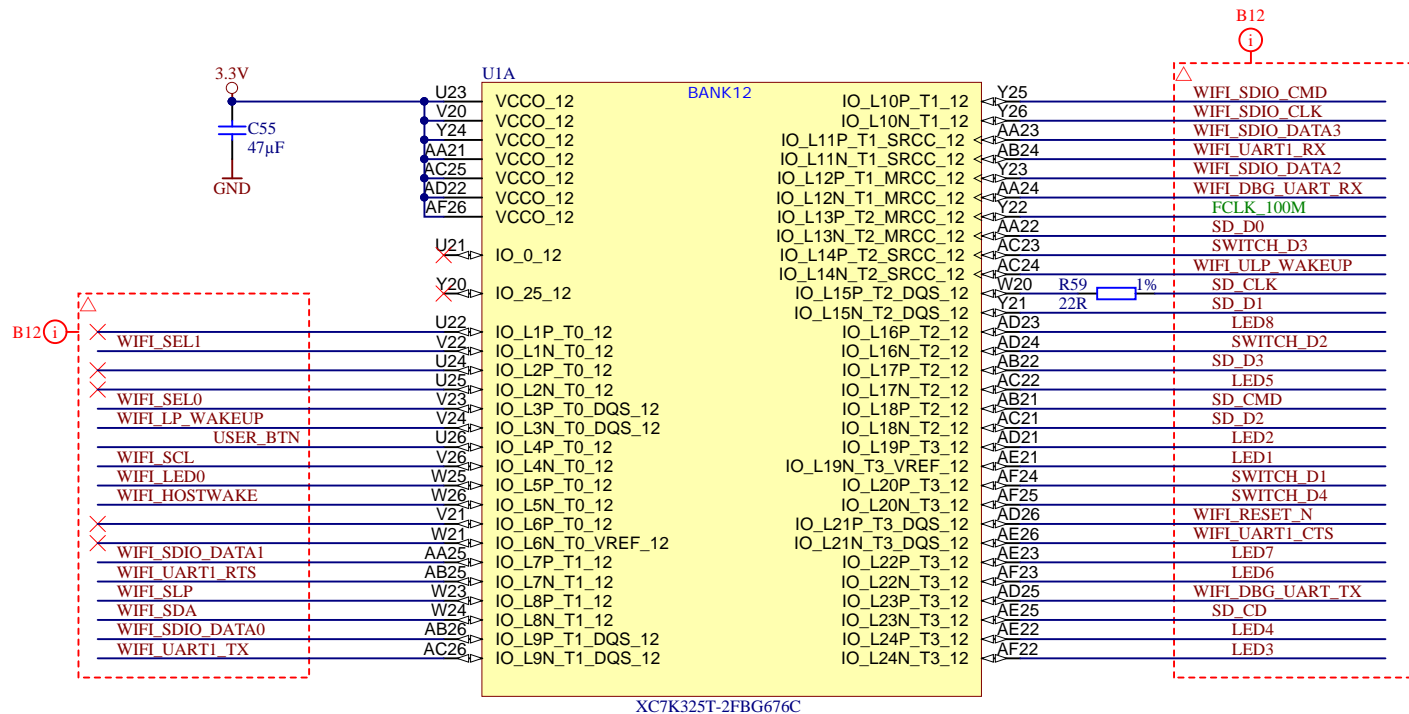
Mictor Debug Connector



Title: TEC0089 - Connectors		
A4	Number: TEC0089 325-2CC	Rev. 02
Date: 20.06.2018	Copyright: Trenz Electronic GmbH	Page 4 of 25
Filename: Debug_Connectors.SchDoc		



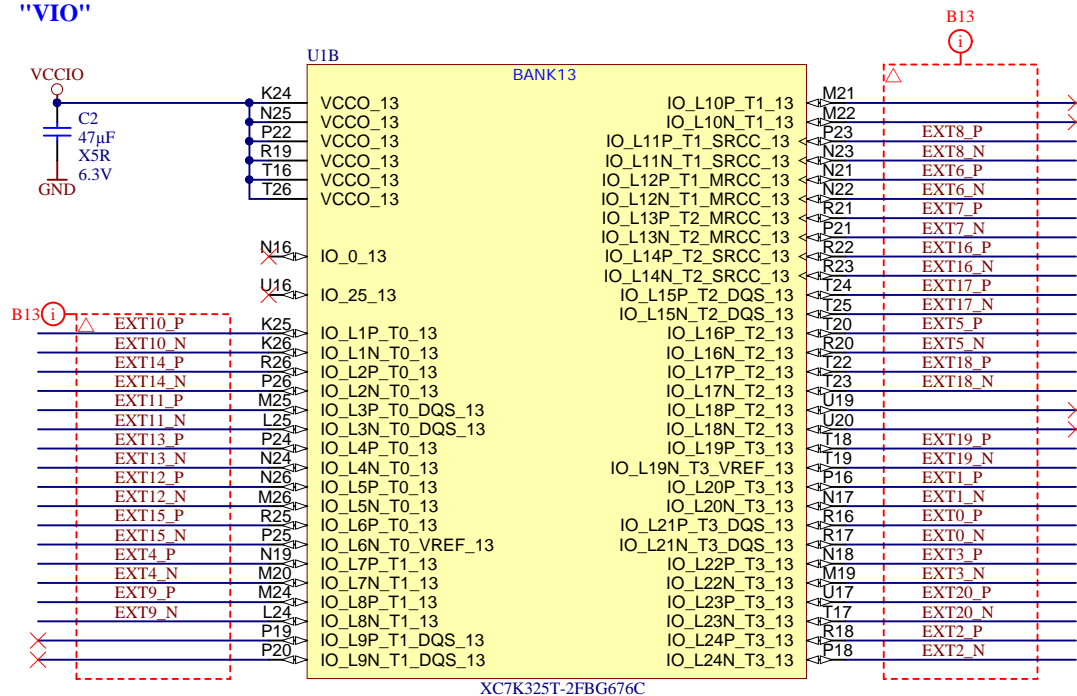
	Title: TEC0089 - STM32	
	A4	Number: TEC0089 325-2CC
	Date: 20.06.2018	Copyright: Trenz Electronic GmbH
	Rev. 02	Page 5 of 25
Filename: STM32.SchDoc		



Title: TEC0089 - B12		
A4	Number: TEC0089 325-2CC	Rev. 02
Date: 20.06.2018	Copyright: Trenz Electronic GmbH	Page 6 of 25
Filename: B12.SchDoc		

I/O Bank with Variable VCCIO (VIO)

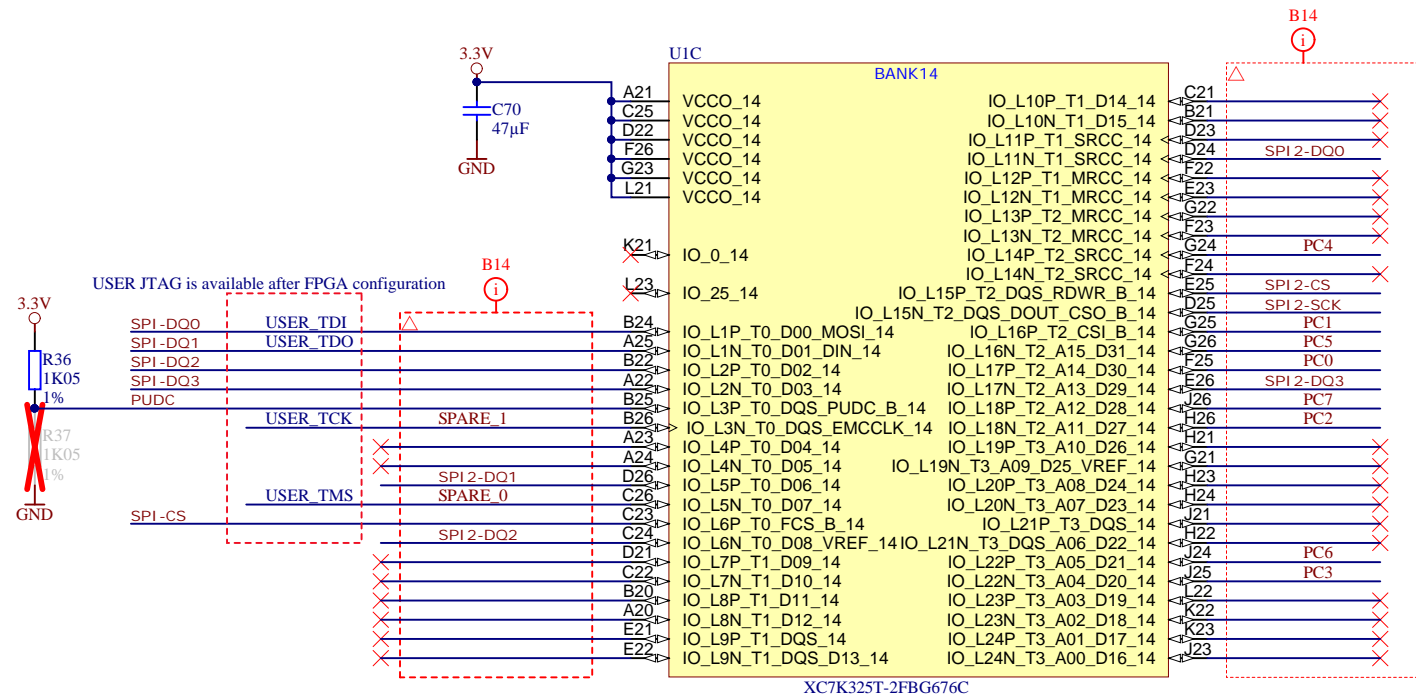
"VIO"



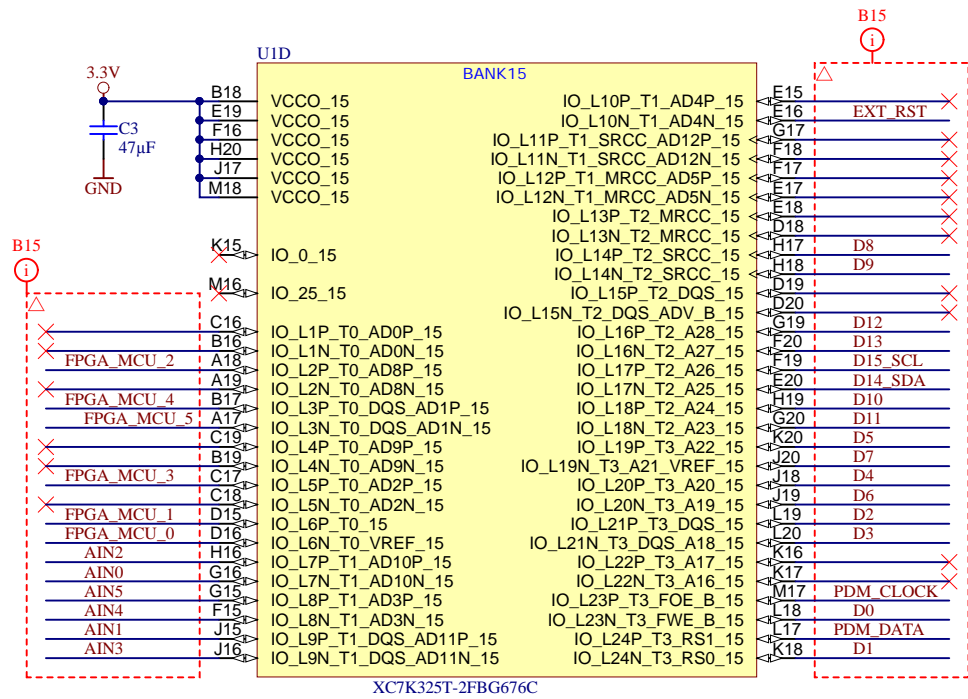
XC7K325T-2FBG676C



Title: TEC0089 - B13		
A4	Number: TEC0089 325-2CC	Rev. 02
Date: 20.06.2018	Copyright: Trenz Electronic GmbH	Page 7 of 25
Filename: B13.SchDoc		



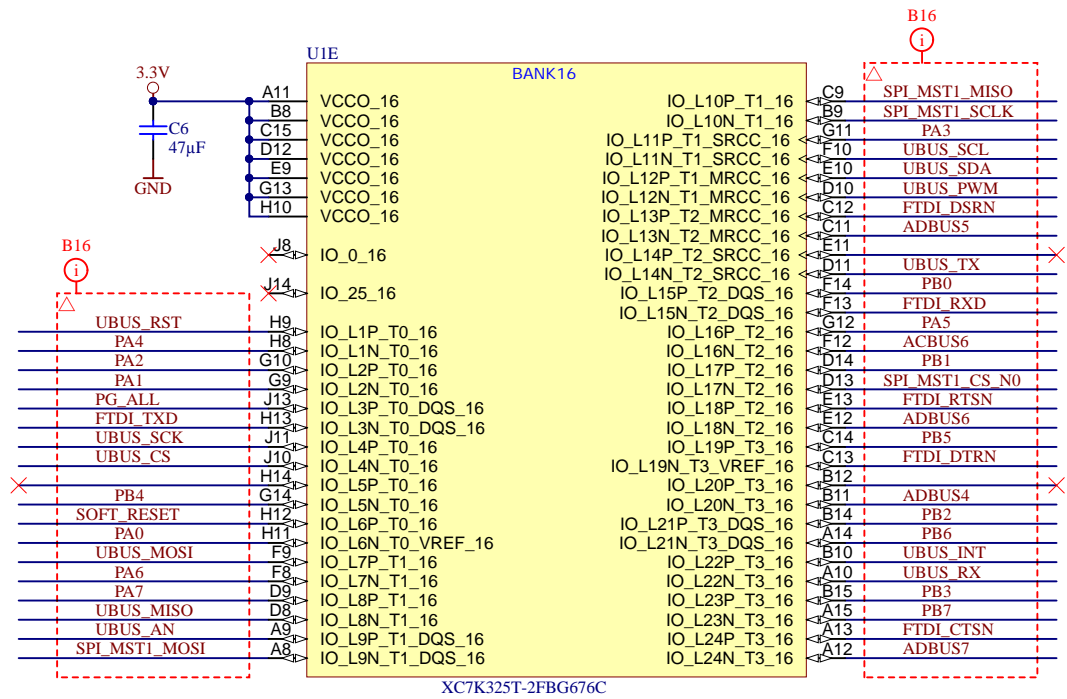
Title: TEC0089 - B14		
A4	Number: TEC0089 325-2CC	Rev. 02
Date: 20.06.2018	Copyright: Trenz Electronic GmbH	Page 8 of 25
Filename: B14.SchDoc		



XC7K325T-2FBG676C



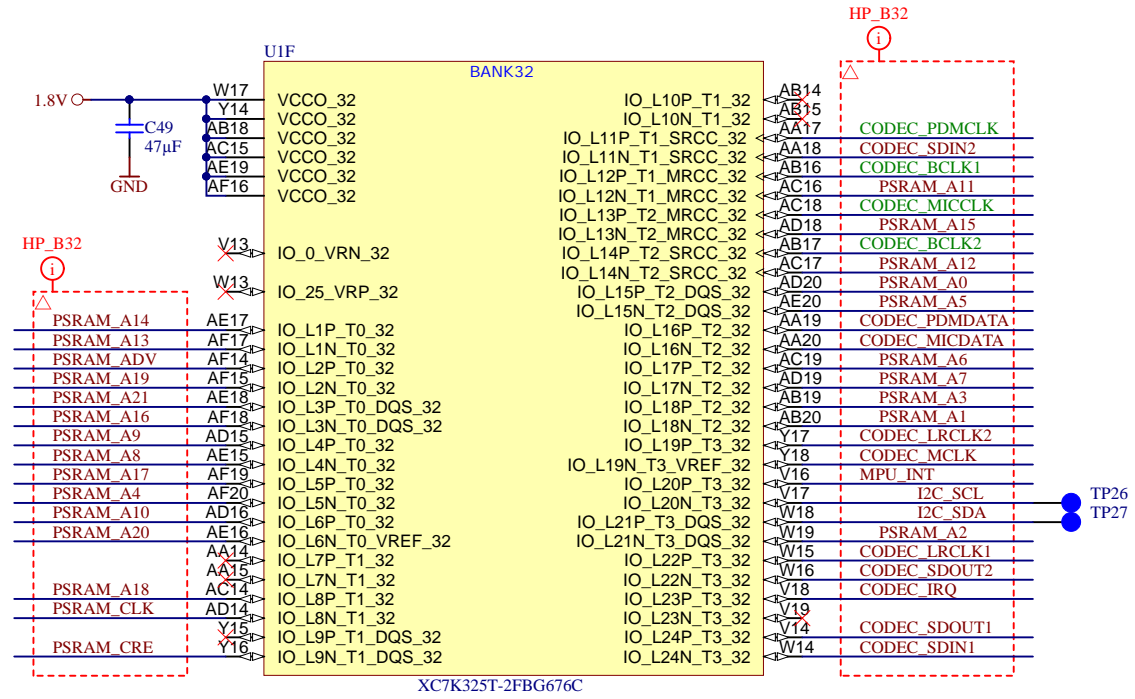
Title: TEC0089 - B15		
A4	Number: TEC0089 325-2CC	Rev. 02
Date: 20.06.2018	Copyright: Trenz Electronic GmbH	Page 9 of 25
Filename: B15.SchDoc		




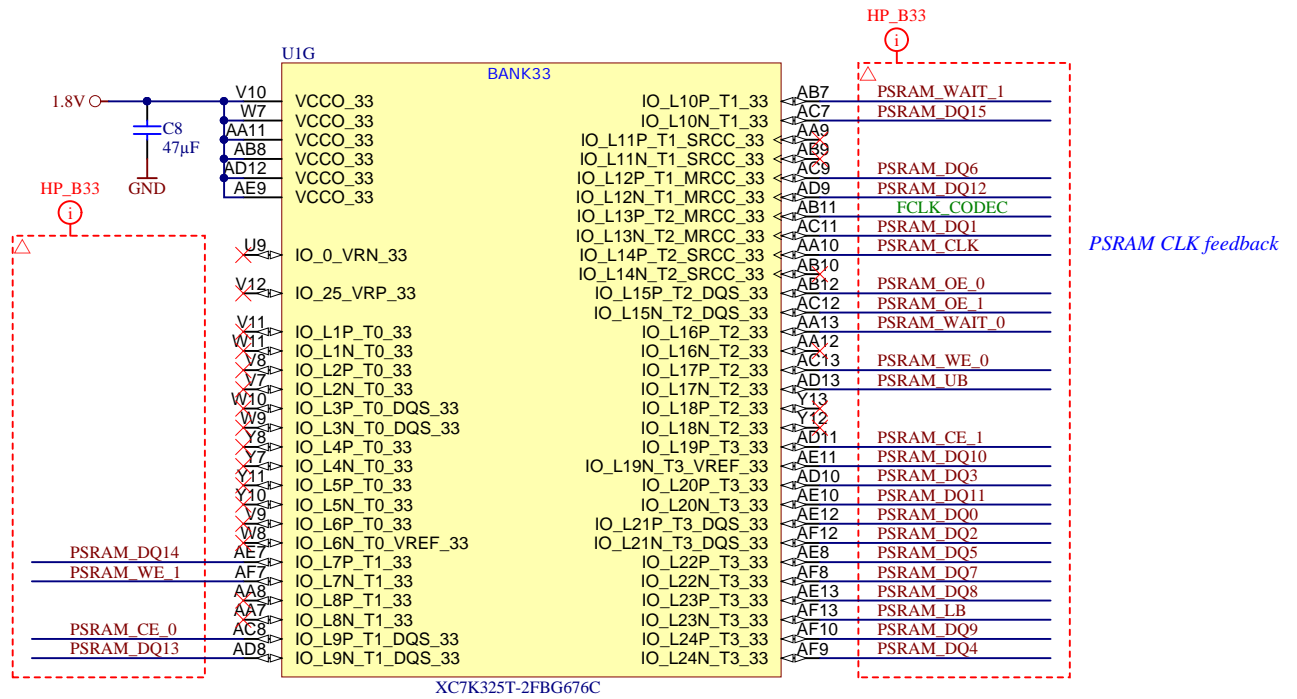
On-board button

XC7K325T-2FBG676C

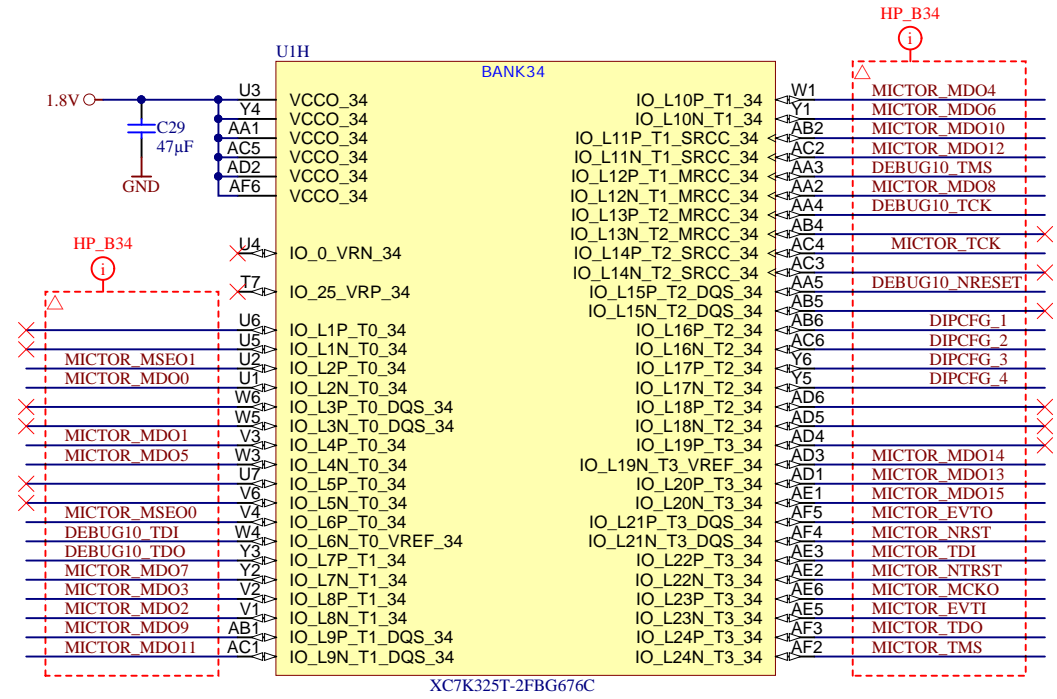
	Title: TEC0089 - B16	
	A4	Number: TEC0089 325-2CC
	Date: 20.06.2018	Copyright: Trenz Electronic GmbH
	Filename: B16.SchDoc	
	Rev. 02	Page 10 of 25



	Title: TEC0089 - B32		
	A4	Number: TEC0089 325-2CC	Rev. 02
	Date: 20.06.2018	Copyright: Trenz Electronic GmbH	Page 11 of 25
	Filename: B32.SchDoc		

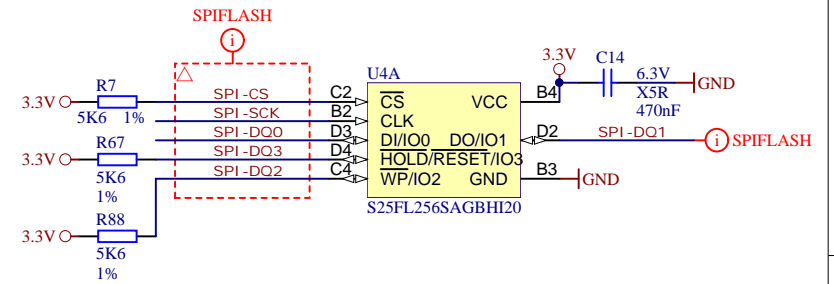
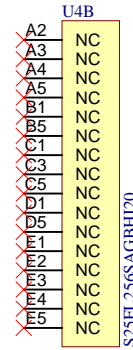
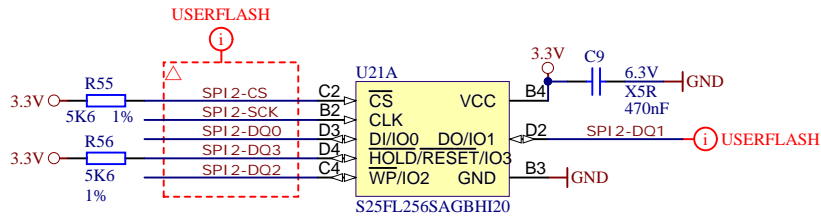
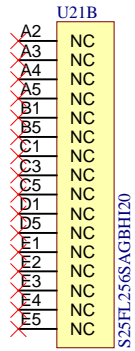
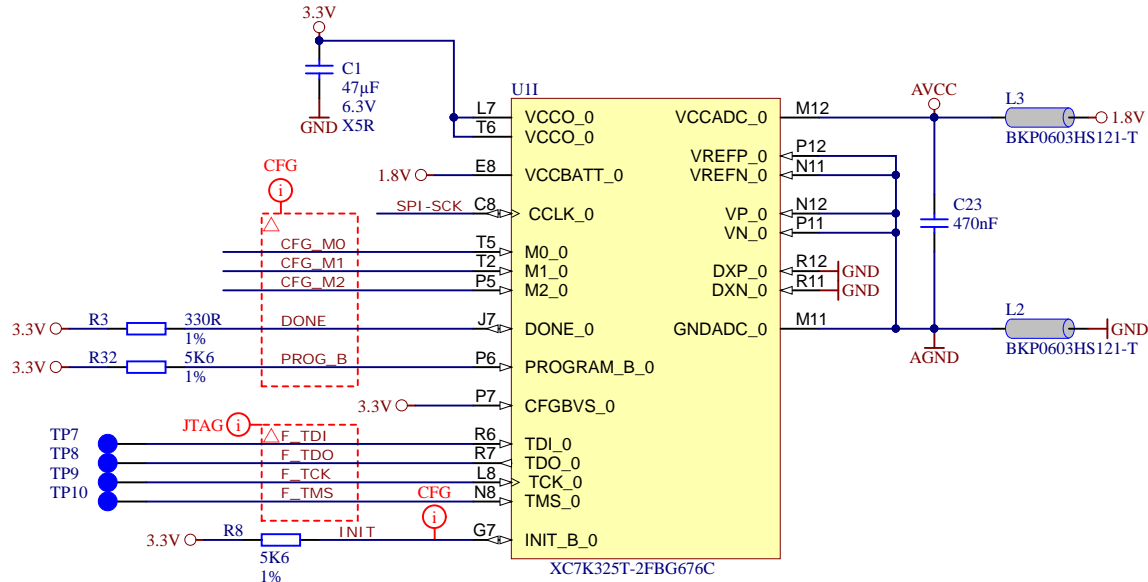
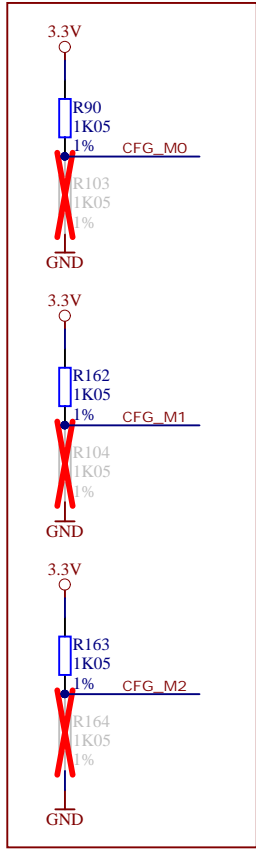


	Title: TEC0089 - B33		
	A4	Number: TEC0089 325-2CC	Rev. 02
	Date: 20.06.2018	Copyright: Trenz Electronic GmbH	Page 12 of 25
	Filename: B33.SchDoc		

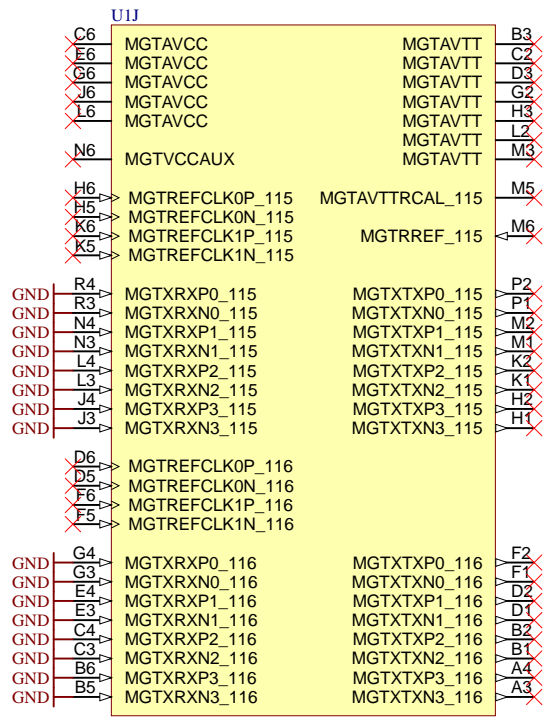


Title: TEC0089 - B34		
A4	Number: TEC0089 325-2CC	Rev. 02
Date: 20.06.2018	Copyright: Trenz Electronic GmbH	Page 13 of 25
Filename: B34.SchDoc		


Slave Serial

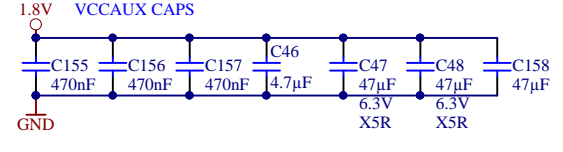
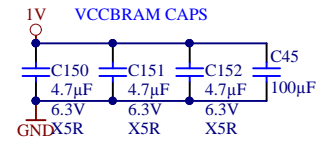
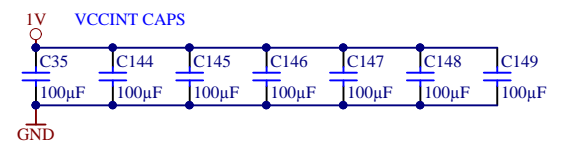
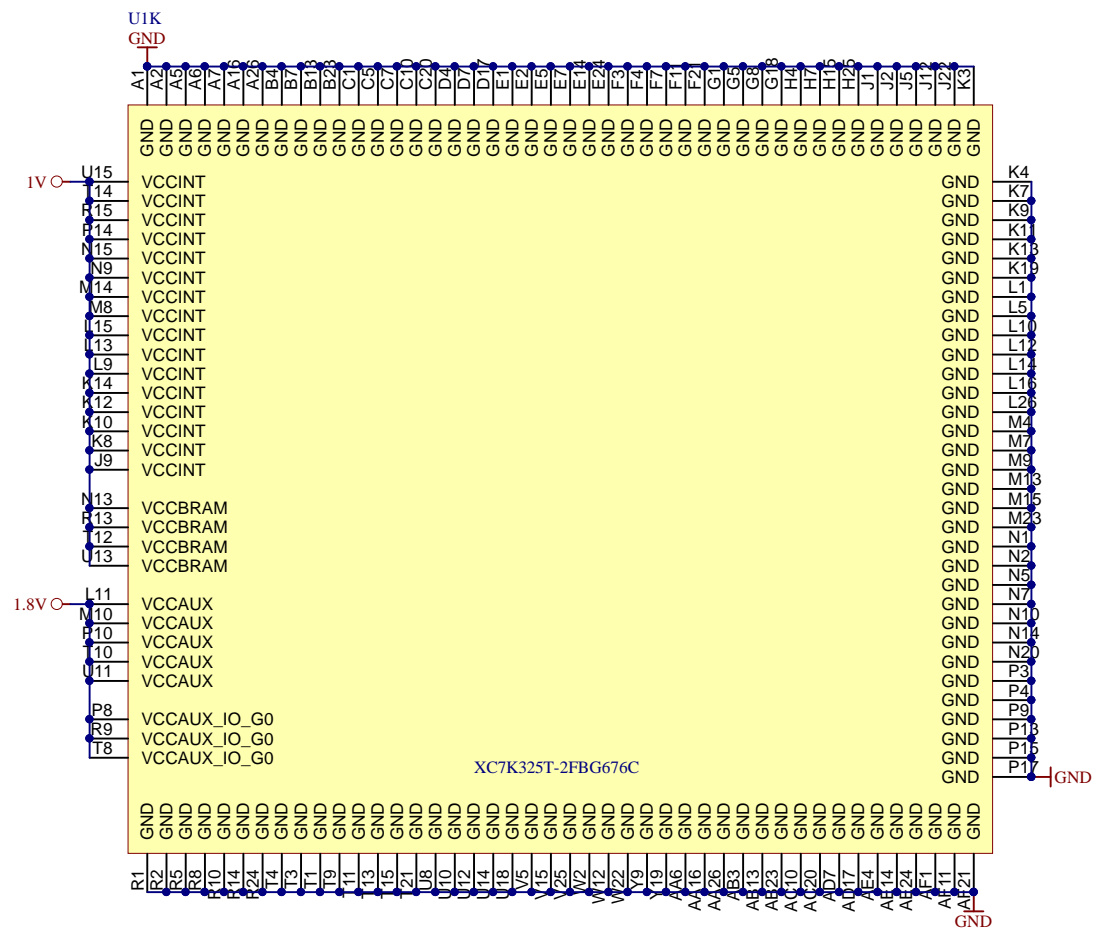



Title: TEC0089 - FPGA_CFG		
A4	Number: TEC0089 325-2CC	Rev. 02
Date: 20.06.2018	Copyright: Trenz Electronic GmbH	Page 14 of 25
Filename: FPGA-CFG.SchDoc		

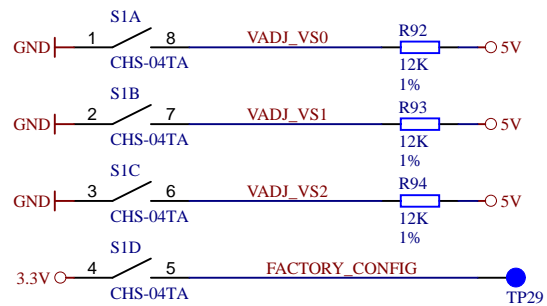
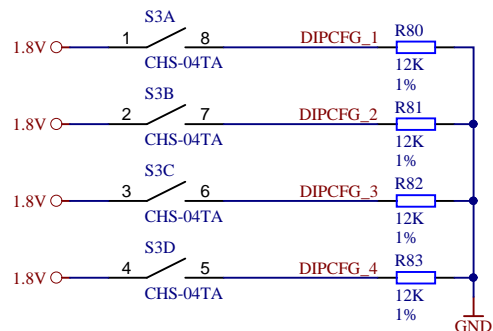
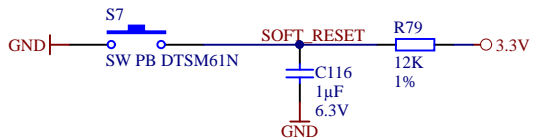
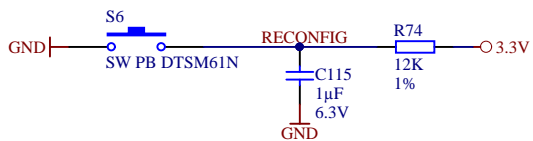
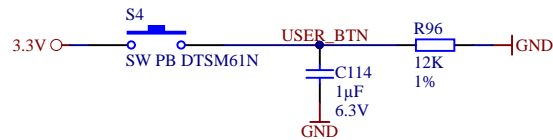
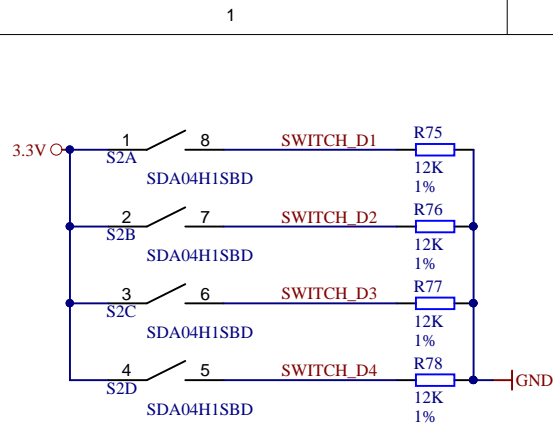


XC7K325T-2FBG676C

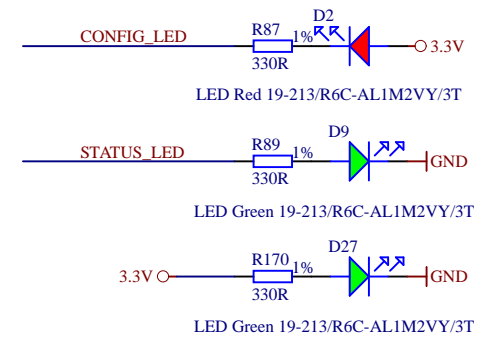
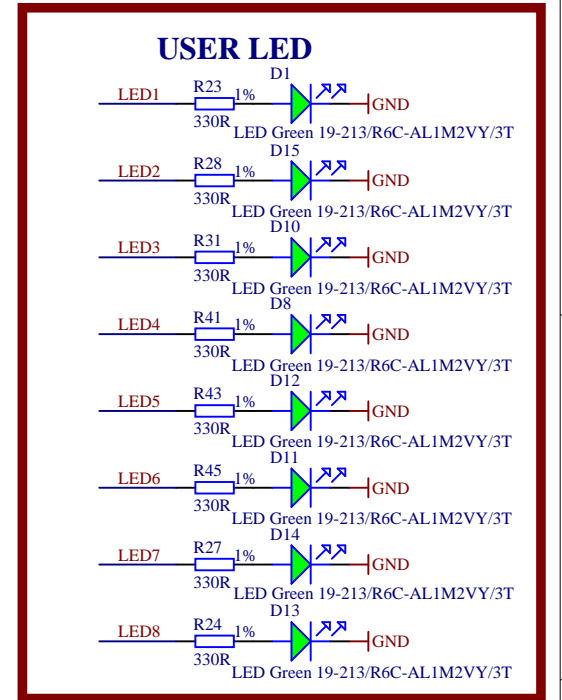
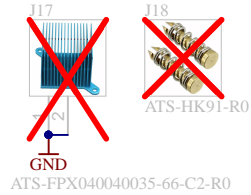
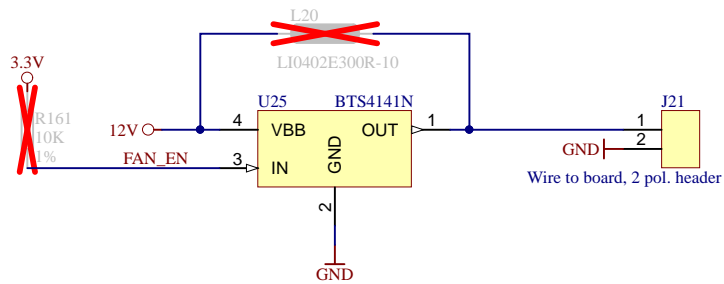
	Title: TEC0089 - FPGA_MGT		
	A4	Number: TEC0089 325-2CC	Rev. 02
	Date: 20.06.2018	Copyright: Trenz Electronic GmbH	Page 15 of 25
	Filename: FPGA-MGT.SchDoc		



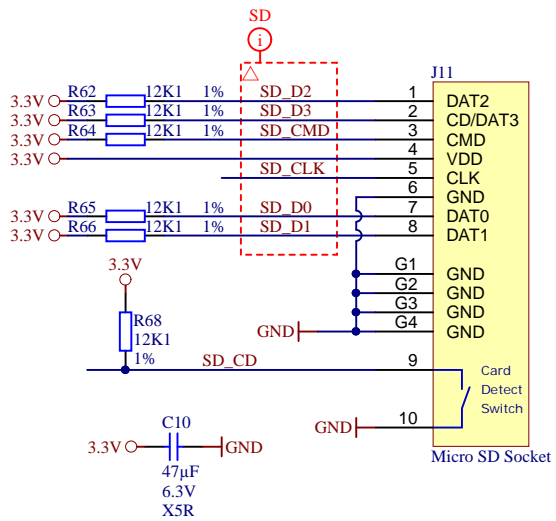
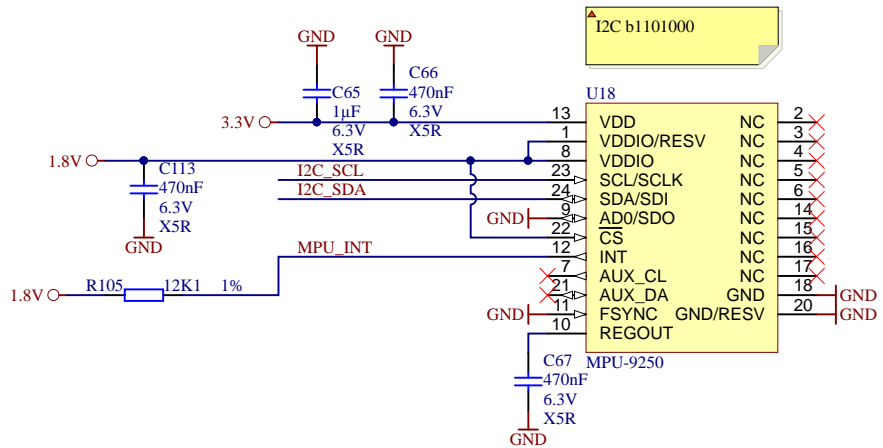
			Title: TEC0089 - FPGA_PWR	
			A4	Number: TEC0089 325-2CC
Date: 20.06.2018		Copyright: Trenz Electronic GmbH		Page16 of 25
Filename: FPGA-PWR.SchDoc				



VIO Voltage Select

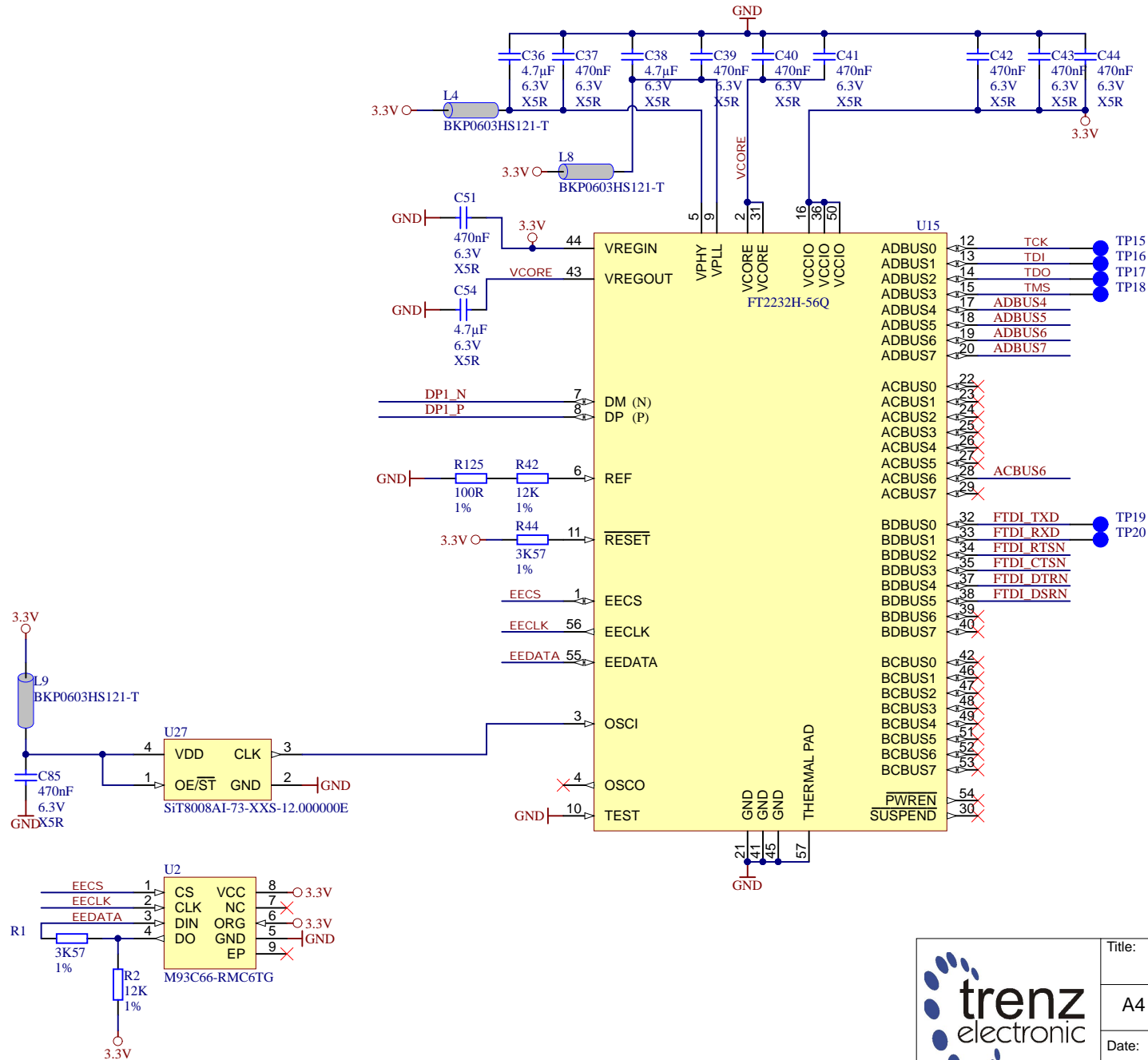



Title: TEC0089		
A4	Number: TEC0089 325-2CC	Rev. 02
Date: 20.06.2018	Copyright: Trenz Electronic GmbH	Page 17 of 25
Filename: PB_LED.SchDoc		

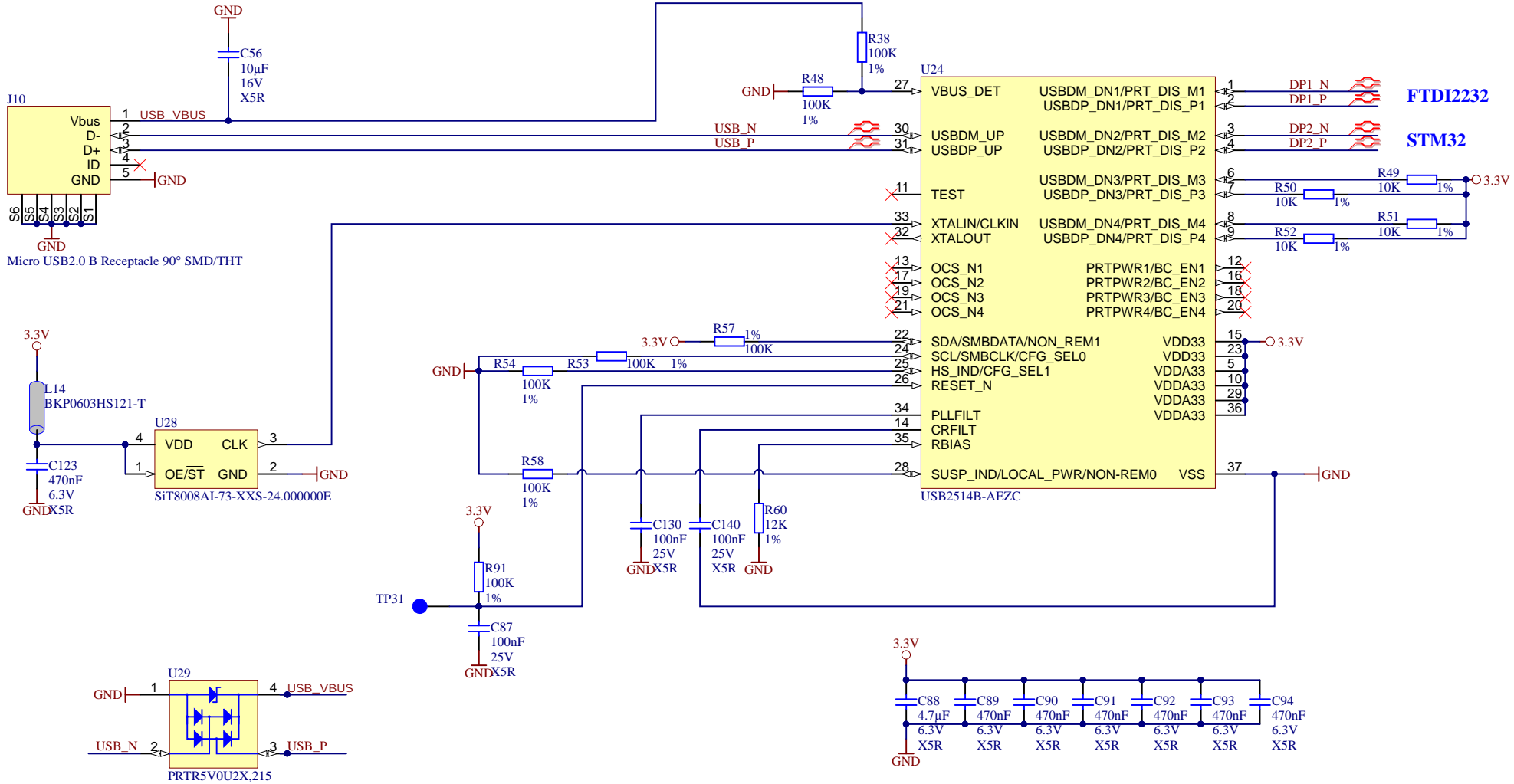



trenz electronic

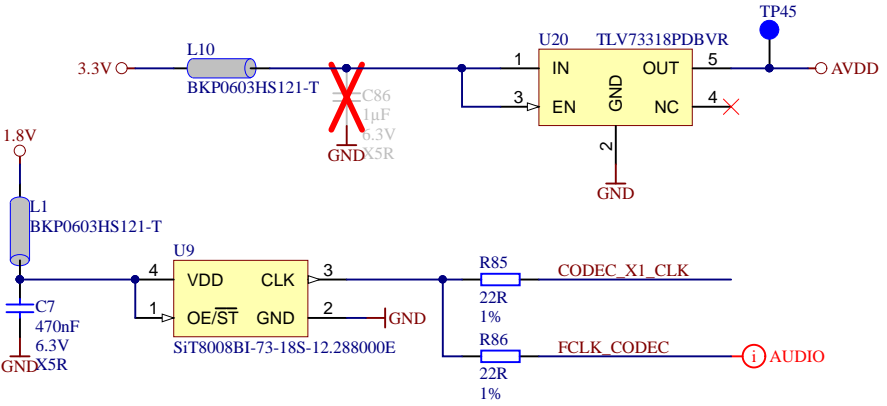
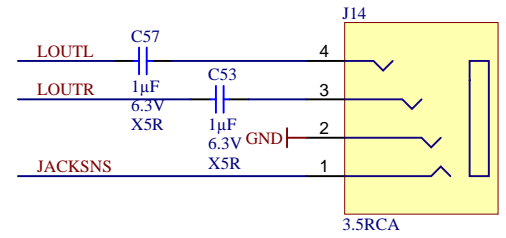
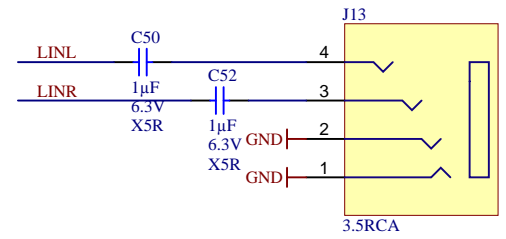
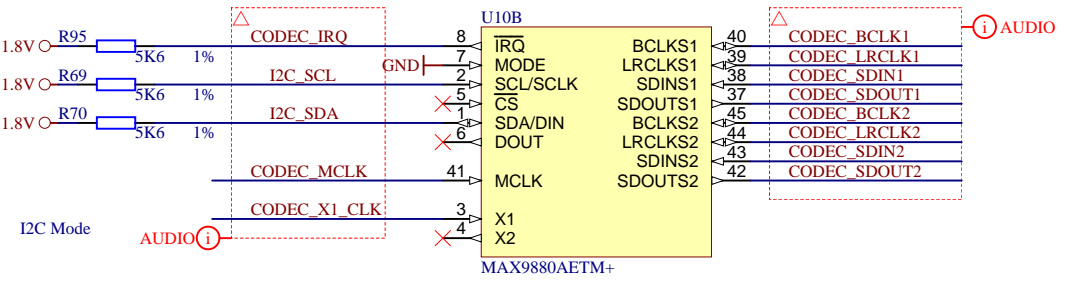
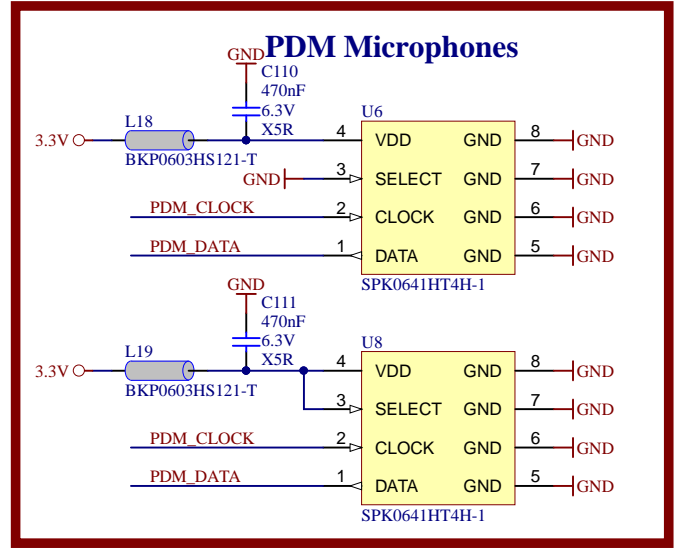
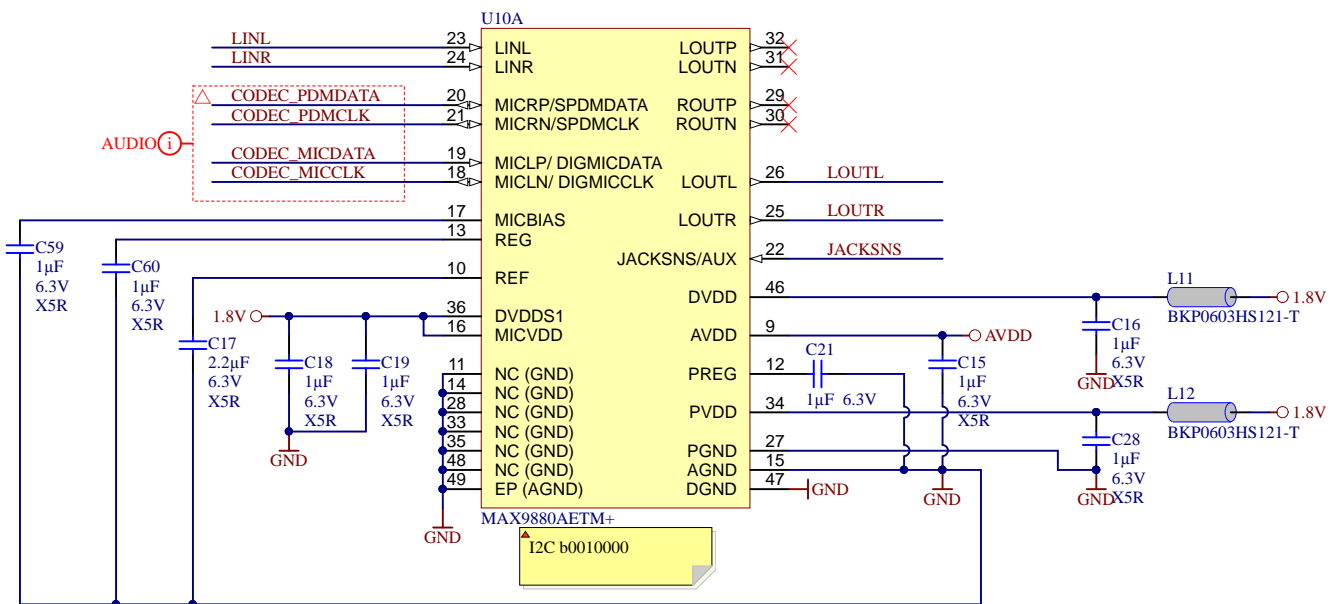
Title: TEC0089		
A4	Number: TEC0089 325-2CC	Rev. 02
Date: 20.06.2018	Copyright: Trenz Electronic GmbH	
Filename: sd_sensor.SchDoc		Page 18 of 25



		Title: TEC0089 - FTDI	
		A4	Number: TEC0089 325-2CC
Date: 20.06.2018		Copyright: Trenz Electronic GmbH	Rev. 02
Filename: FTDI.SchDoc		Page 19 of 25	

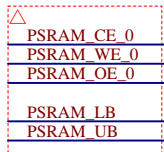
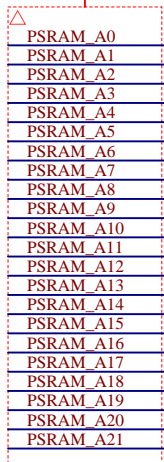


			Title: TEC0089 - USB	
			A4	Number: TEC0089 325-2CC
Date: 20.06.2018		Copyright: Trenz Electronic GmbH		Page 20 of 25
Filename: USB-HUB.SchDoc				

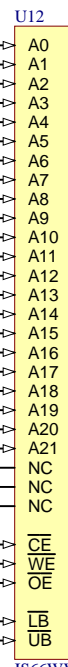


Title: TEC0089 - AUDIO		
A4	Number: TEC0089 325-2CC	Rev. 02
Date: 20.06.2018	Copyright: Trenz Electronic GmbH	Page 21 of 25
Filename: Audio.SchDoc		

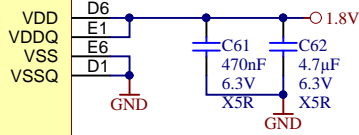
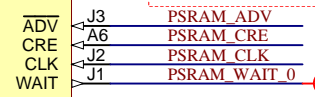
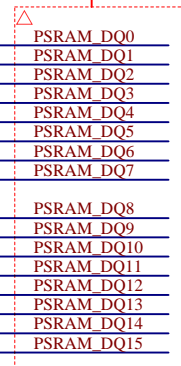
PSRAM_ADR_CMD



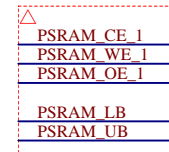
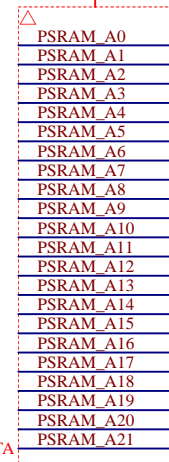
PSRAM_DATA



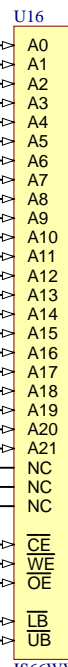
PSRAM_DATA



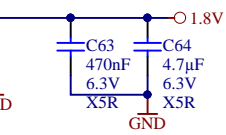
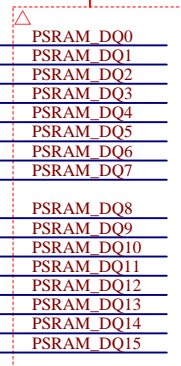
PSRAM_ADR_CMD



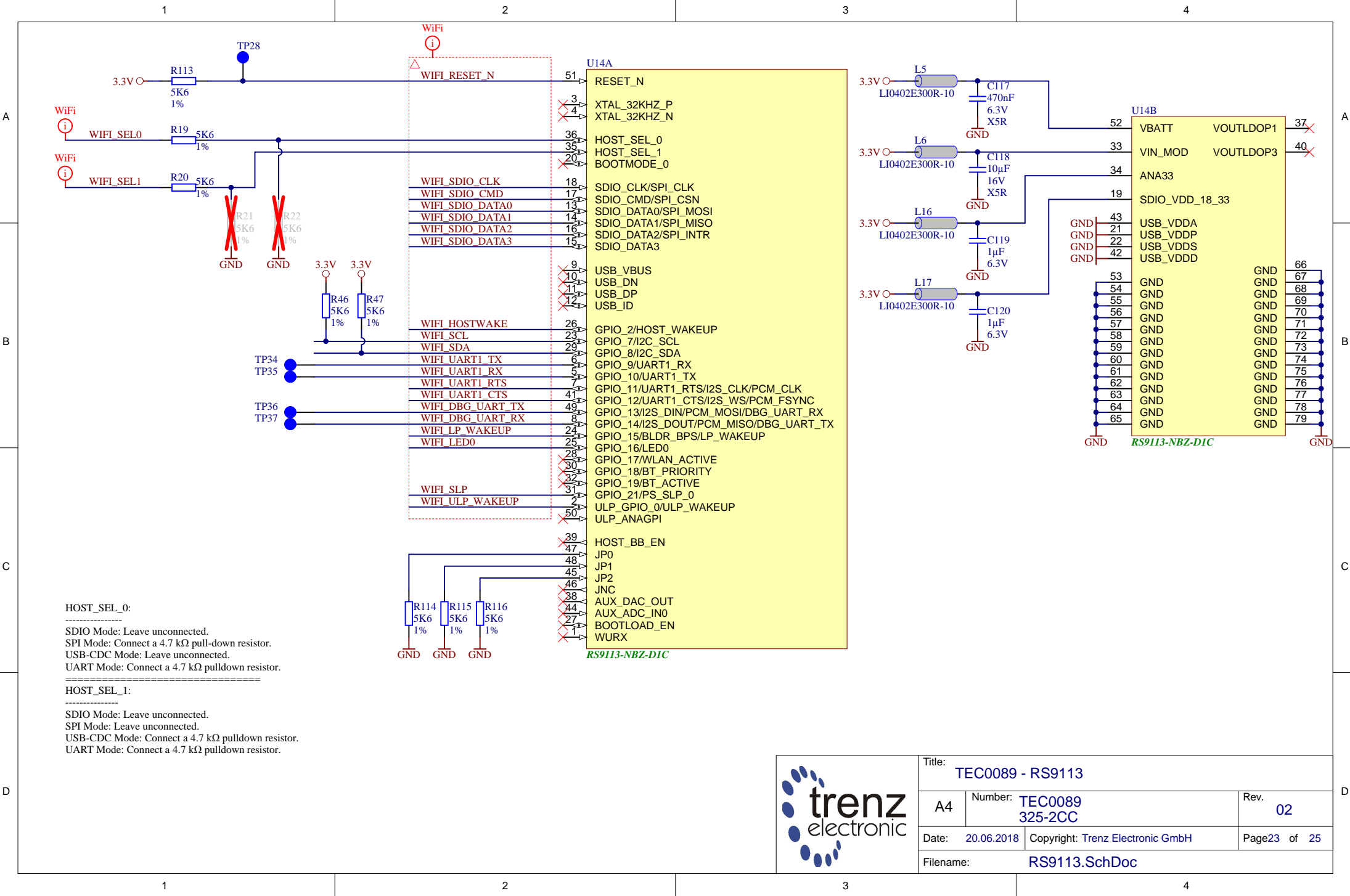
PSRAM_DATA



PSRAM_DATA

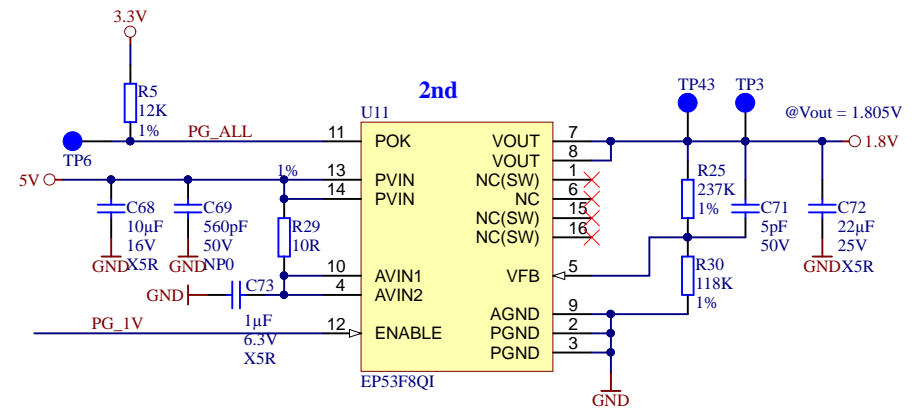
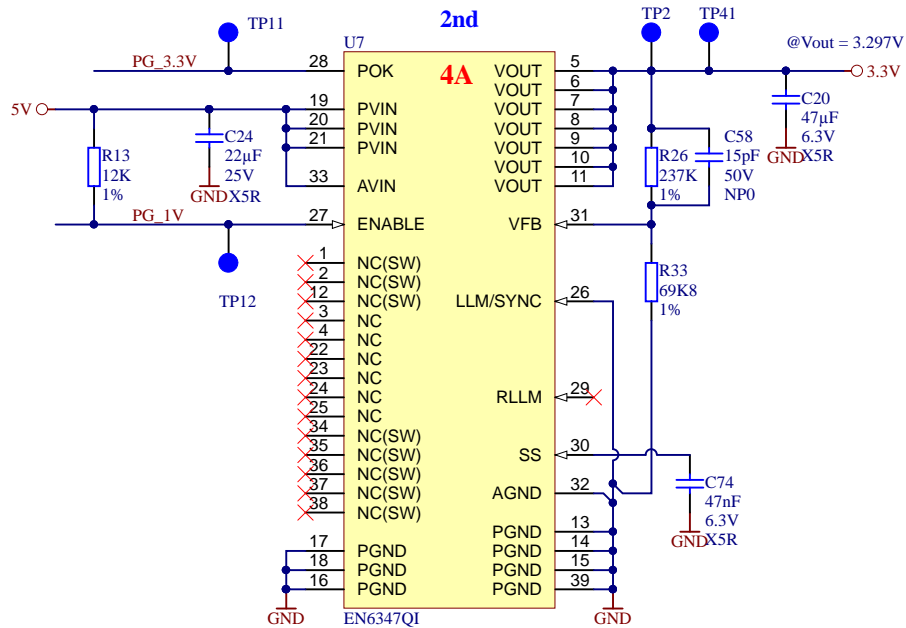
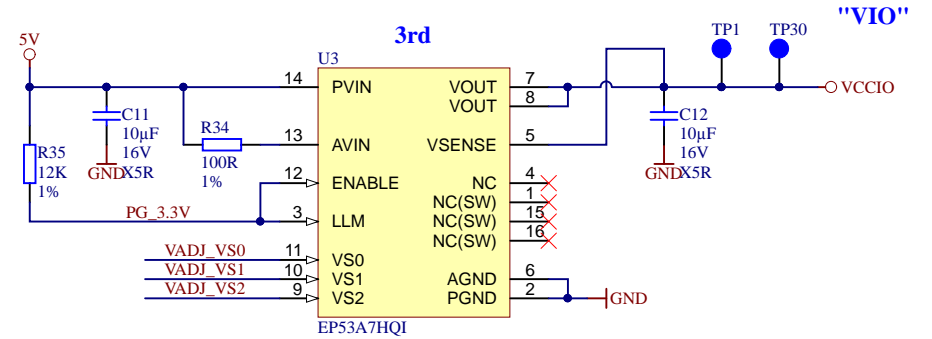
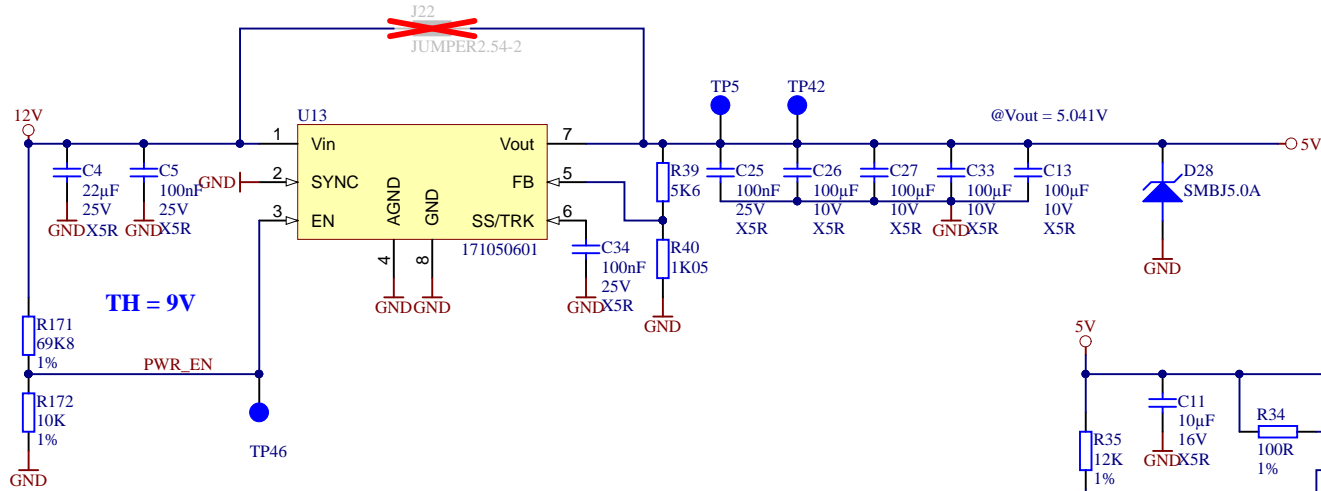


Title: TEC0089 - PSRAM		
A4	Number: TEC0089 325-2CC	Rev. 02
Date: 20.06.2018	Copyright: Trenz Electronic GmbH	Page 22 of 25
Filename: PSRAM.SchDoc		



Title: TEC0089 - RS9113		
A4	Number: TEC0089 325-2CC	Rev. 02
Date: 20.06.2018	Copyright: Trenz Electronic GmbH	Page 23 of 25
Filename: RS9113.SchDoc		

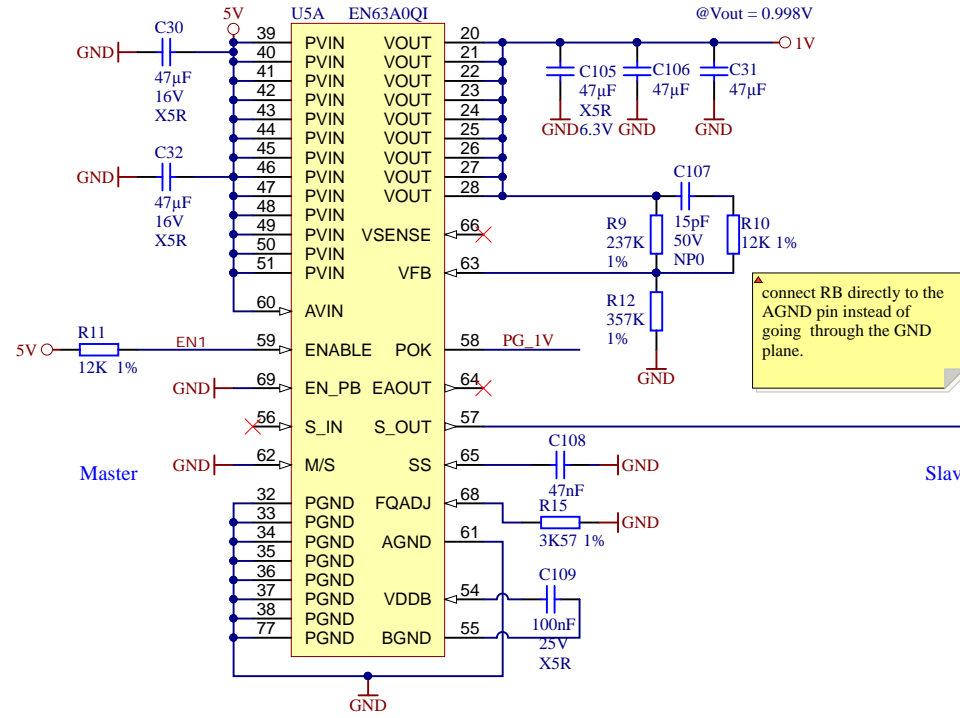
Use jumper J22 only with 5V power input



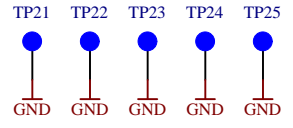
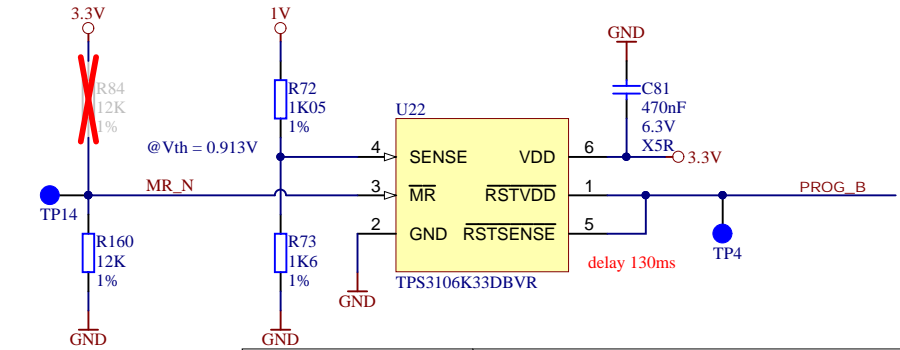
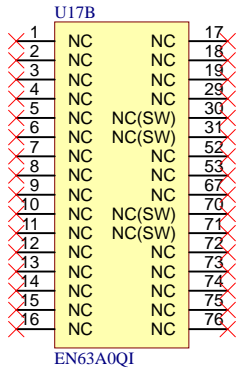
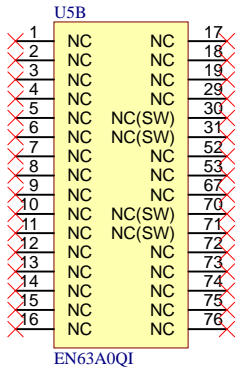
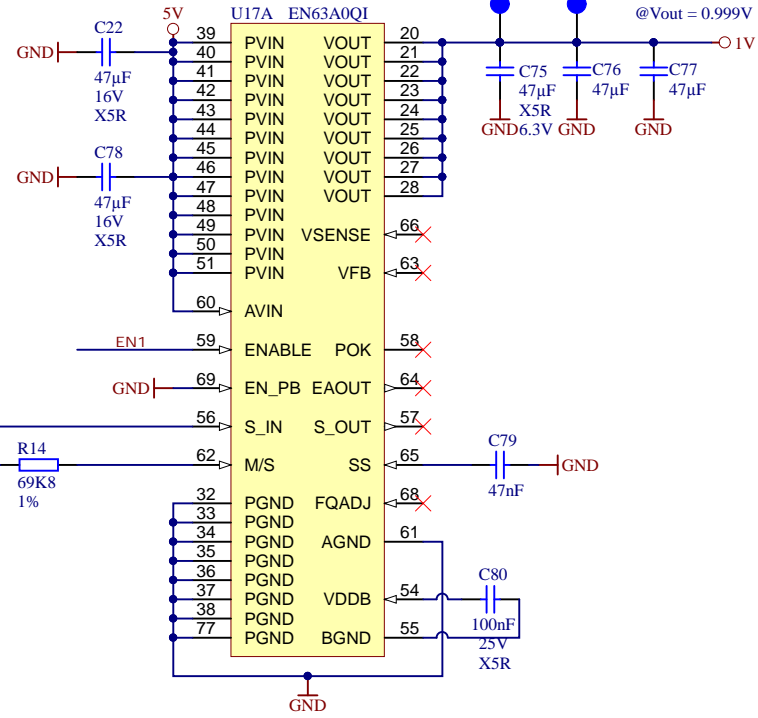
Title: TEC0089 - PWR1		
A4	Number: TEC0089 325-2CC	Rev. 02
Date: 20.06.2018	Copyright: Trenz Electronic GmbH	Page24 of 25
Filename: PWR1.SchDoc		

1st

1st



connect RB directly to the AGND pin instead of going through the GND plane.



trenz electronic

Title: TEC0089 - PWR1

A4	Number: TEC0089 325-2CC	Rev. 02
Date: 20.06.2018	Copyright: Trenz Electronic GmbH	Page 25 of 25
Filename: PWR2.SchDoc		