

1

2

3

4

A

A

B

B

C

C

D

D

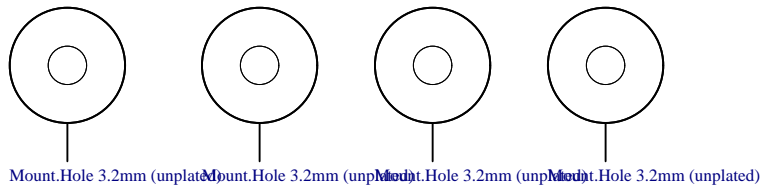
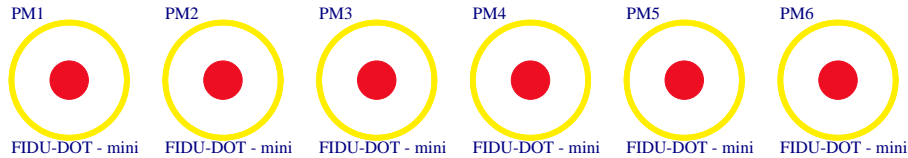
LOGO1

TE Logo PRINT Layer

LOGO PRINT

Serial  
Serial  
Serialnumber 6,3 x 6.3mm

~~S/N  
Serialnumber~~



Design drawn by: VT  
 Checked by: IG  
 Assembly variant: 055-8CA  
 Created by:  
 Modified by:  
 Modified at:



Title: TEI0009		
A4	Number: TEI0009 055-8CA	Rev. 02
Date: 2018-07-09	Copyright: Trenz Electronic GmbH	Page1 of 17
Filename: TEI0009.SchDoc		

1

2

3

4

1

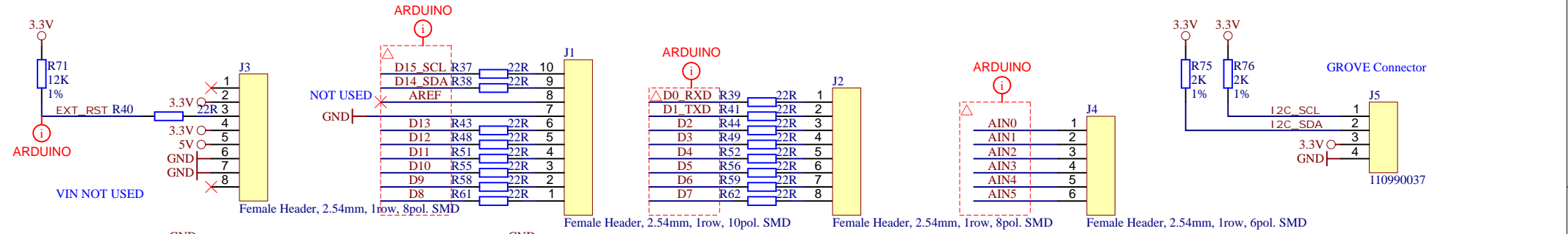
2

3

4

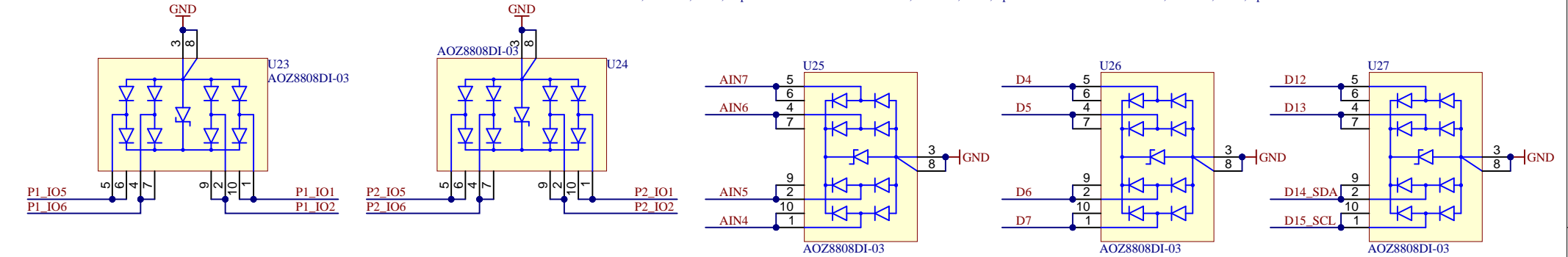
A

A



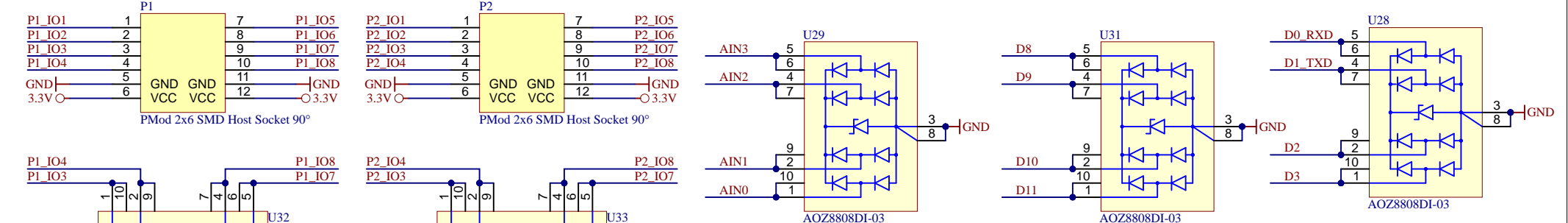
B

B



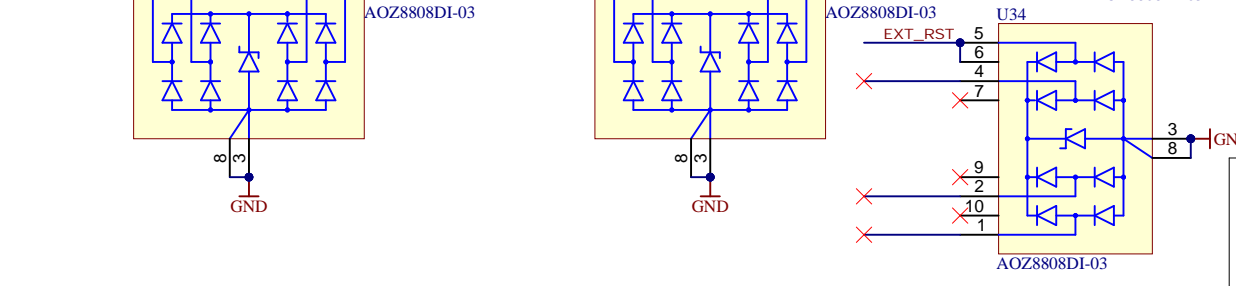
C

C



D

D



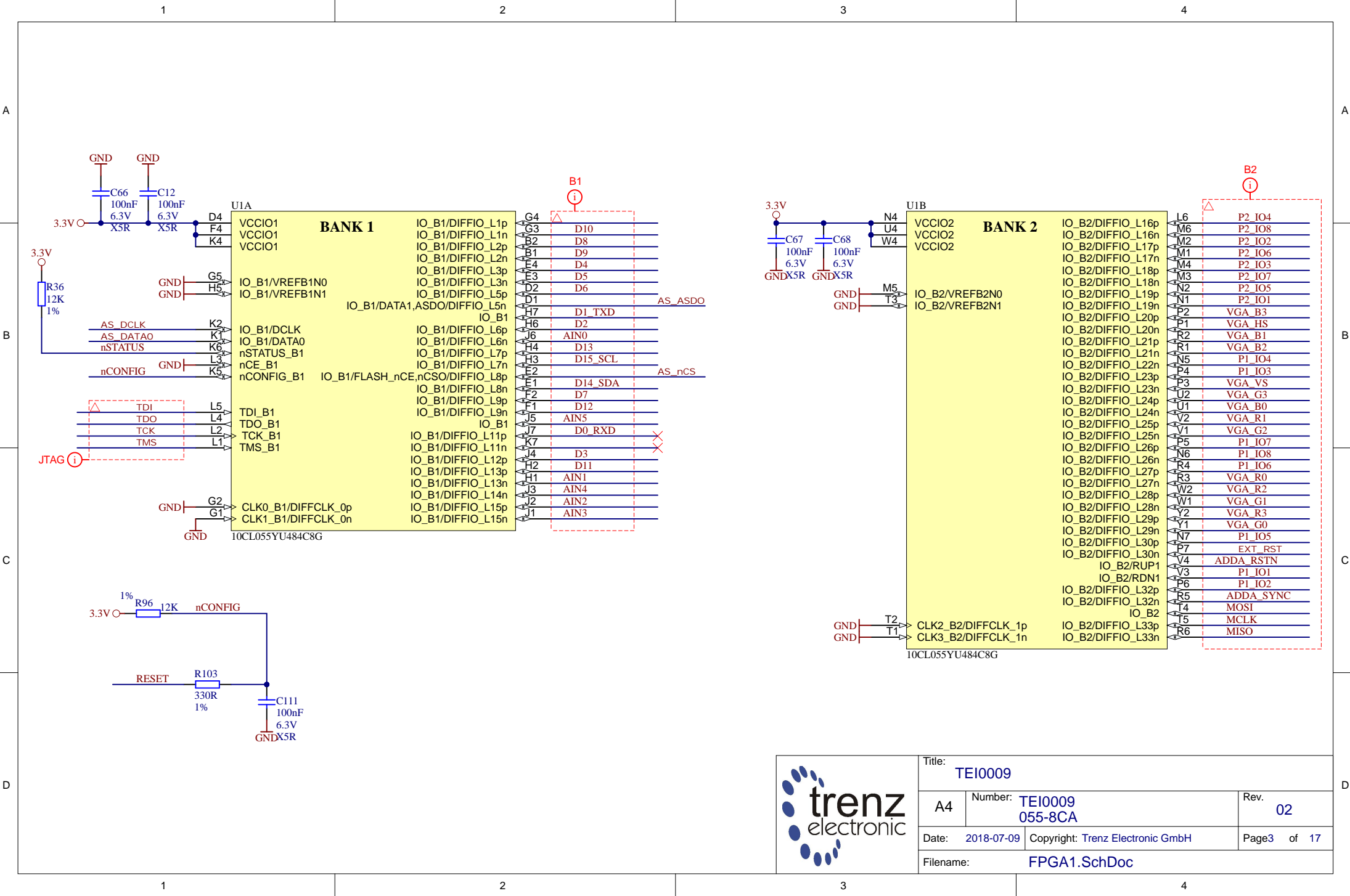
Title: TEI0009		
A4	Number: TEI0009 055-8CA	Rev. 02
Date: 2018-07-09	Copyright: Trenz Electronic GmbH	Page2 of 17
Filename: A-Headers.SchDoc		


1

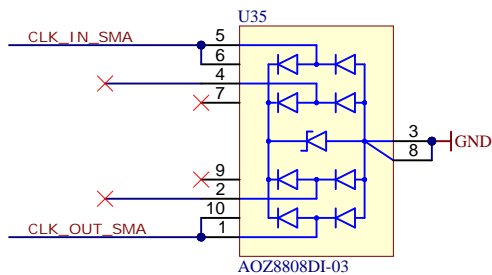
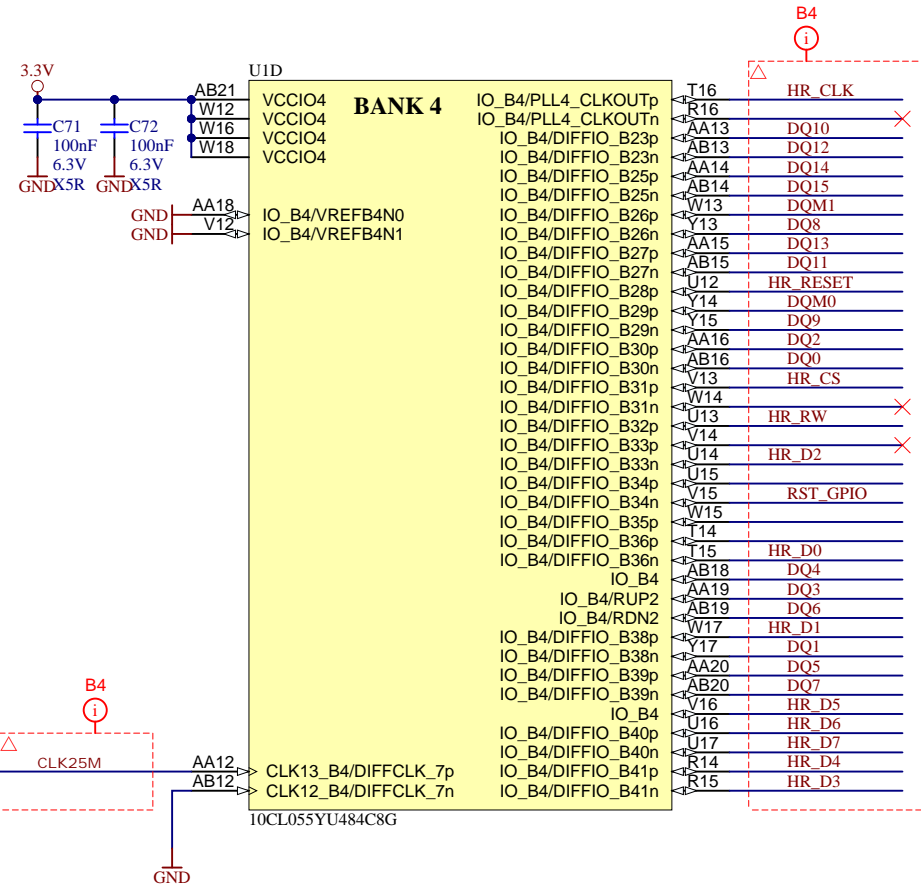
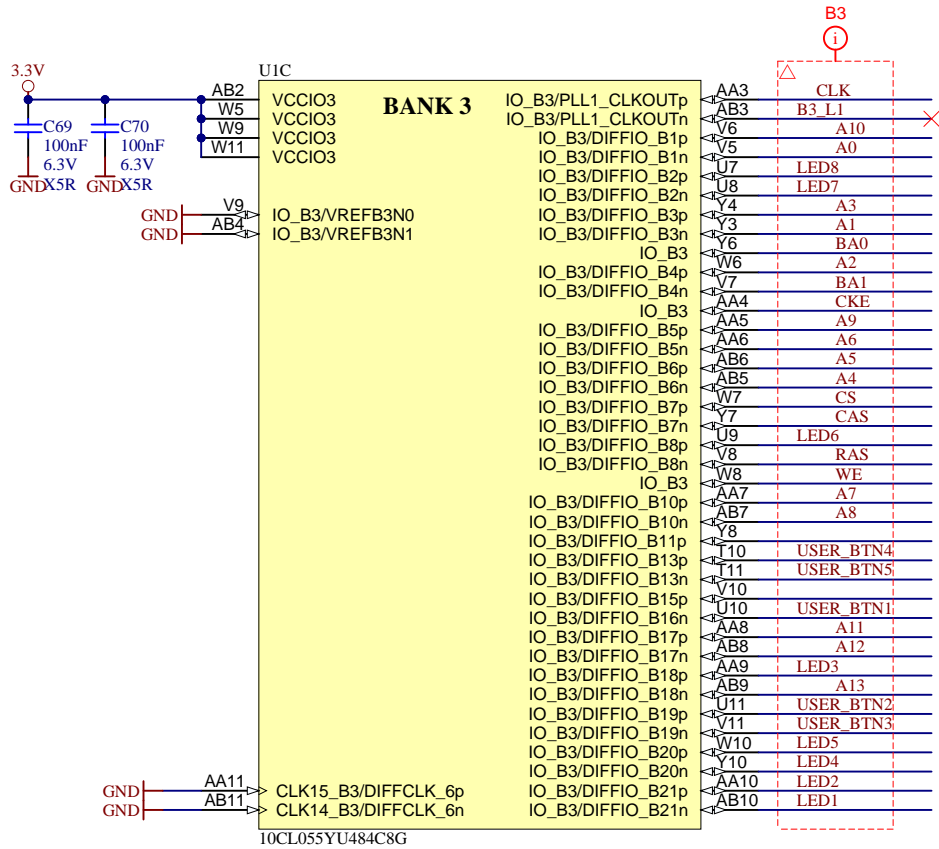
2

3

4

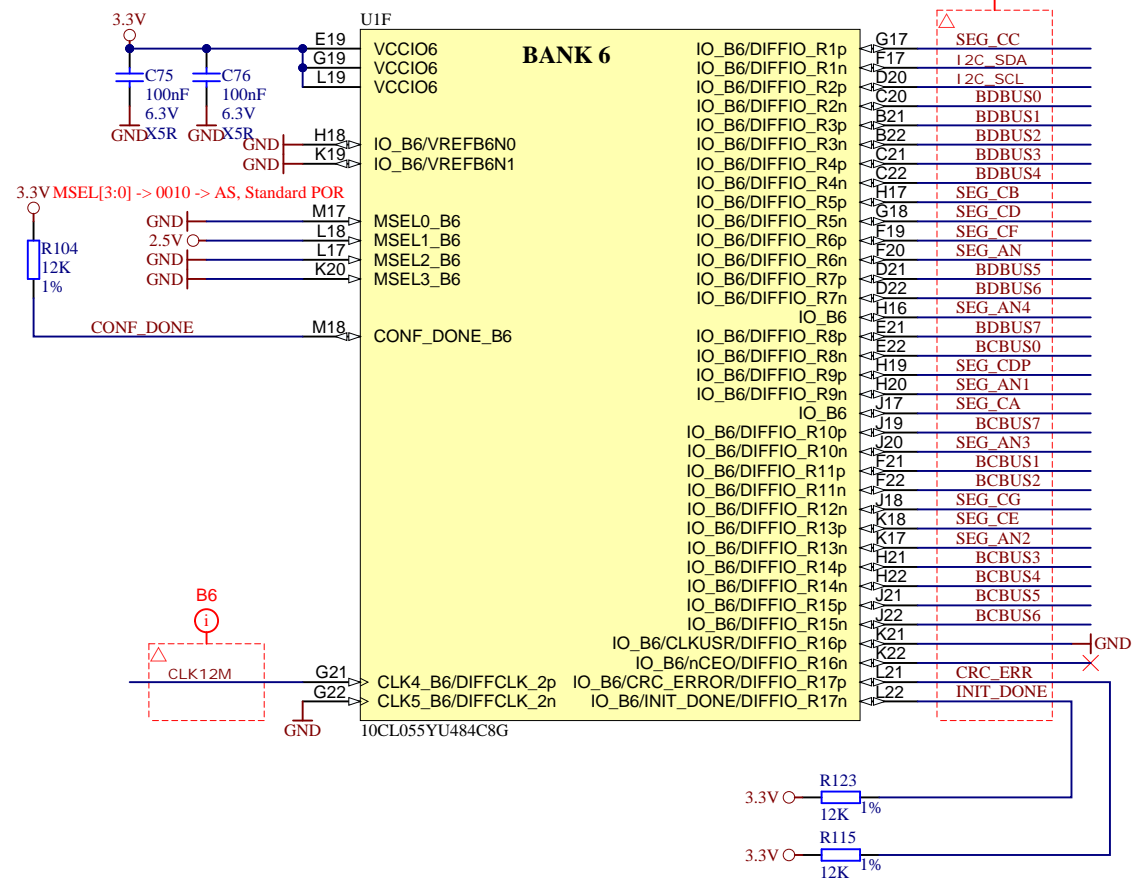
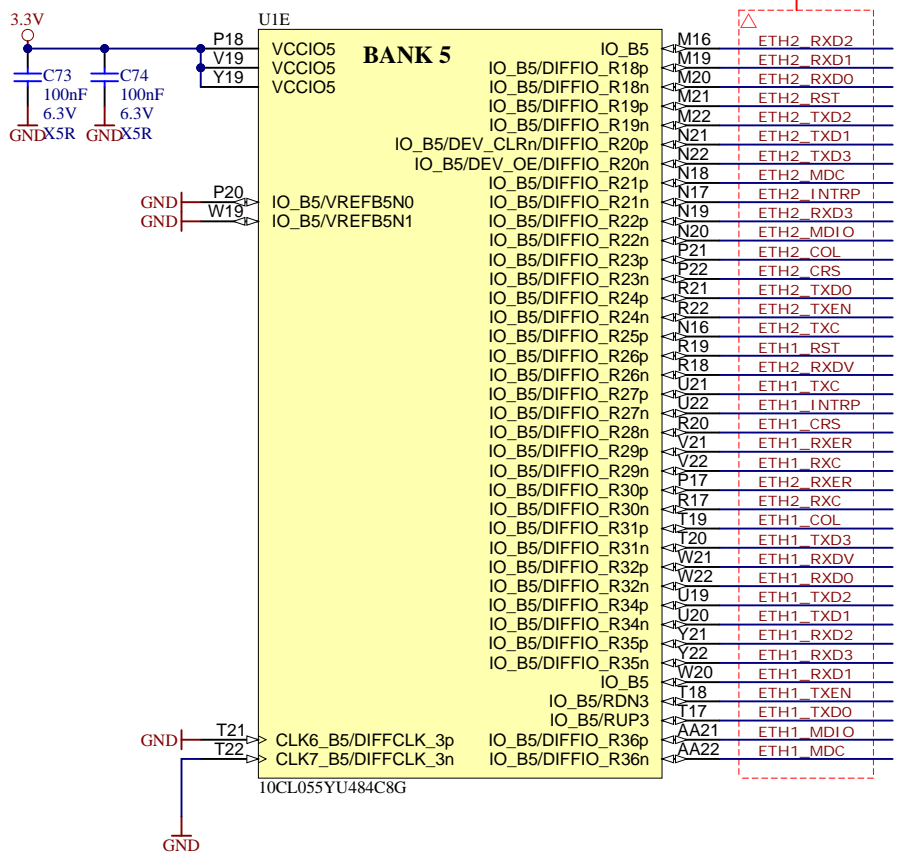


			Title: <b>TEI0009</b>	
			A4	Number: <b>TEI0009 055-8CA</b>
Date: <b>2018-07-09</b>		Copyright: <b>Trenz Electronic GmbH</b>		Page <b>3</b> of <b>17</b>
Filename: <b>FPGA1.SchDoc</b>				

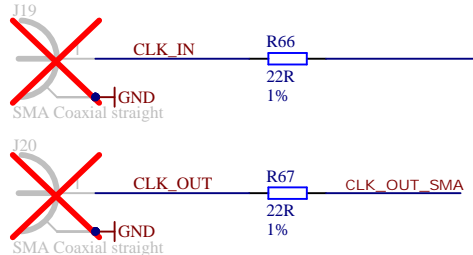
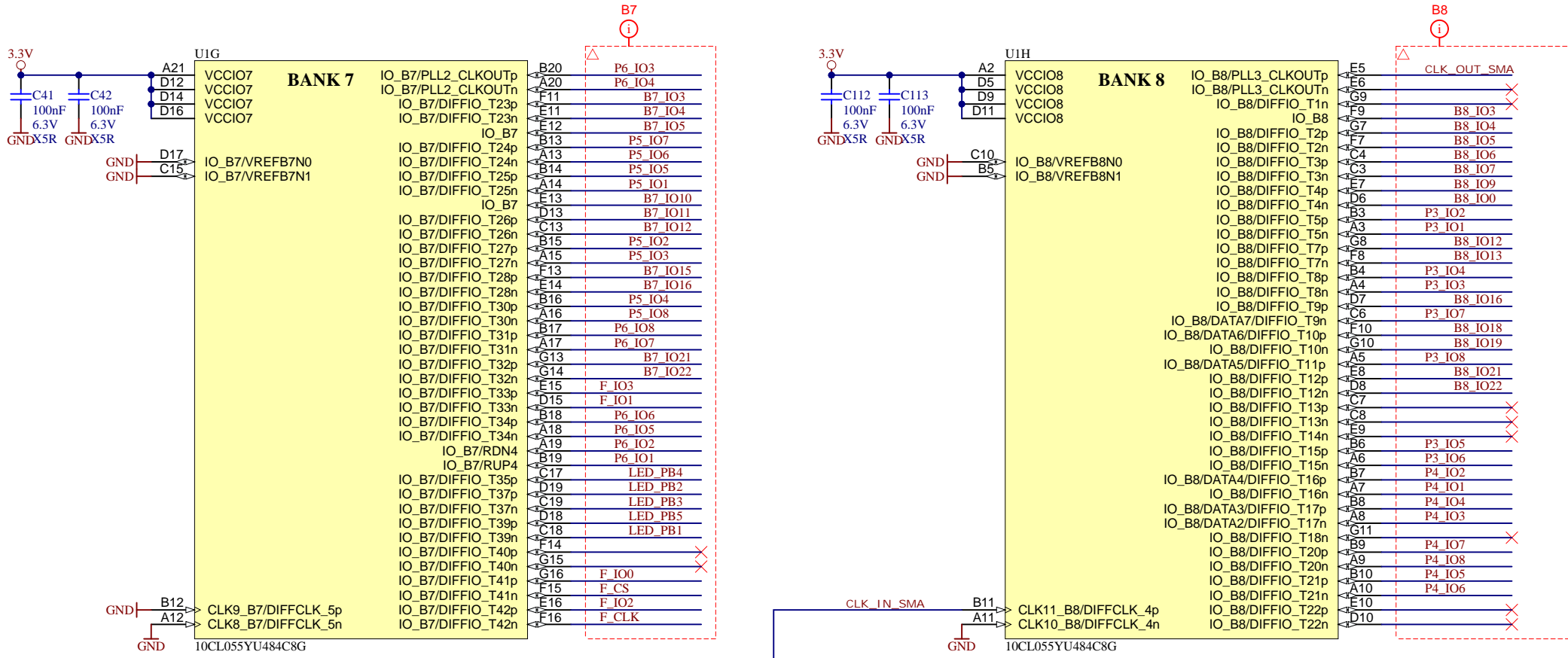


Title: TEI0009		
A4	Number: TEI0009 055-8CA	Rev. 02
Date: 2018-07-09	Copyright: Trenz Electronic GmbH	Page 4 of 17
Filename: FPGA2.SchDoc		

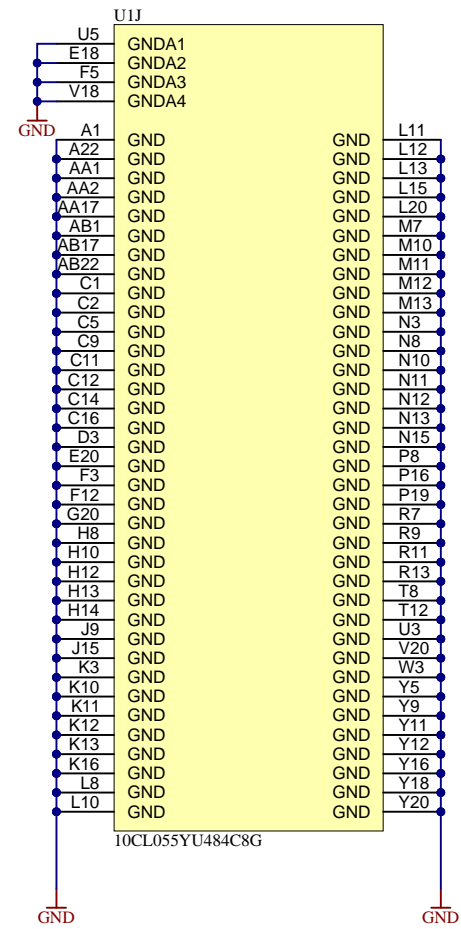
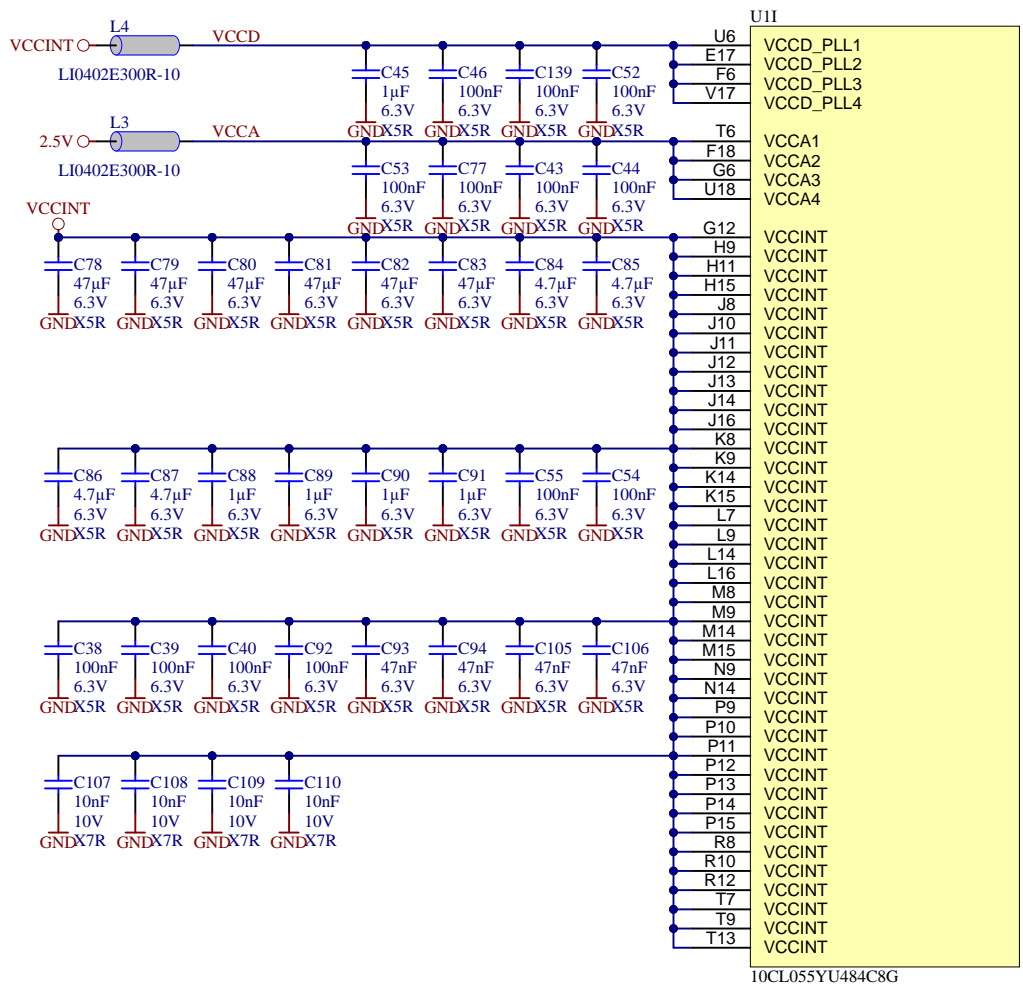
VREF not used -> GND



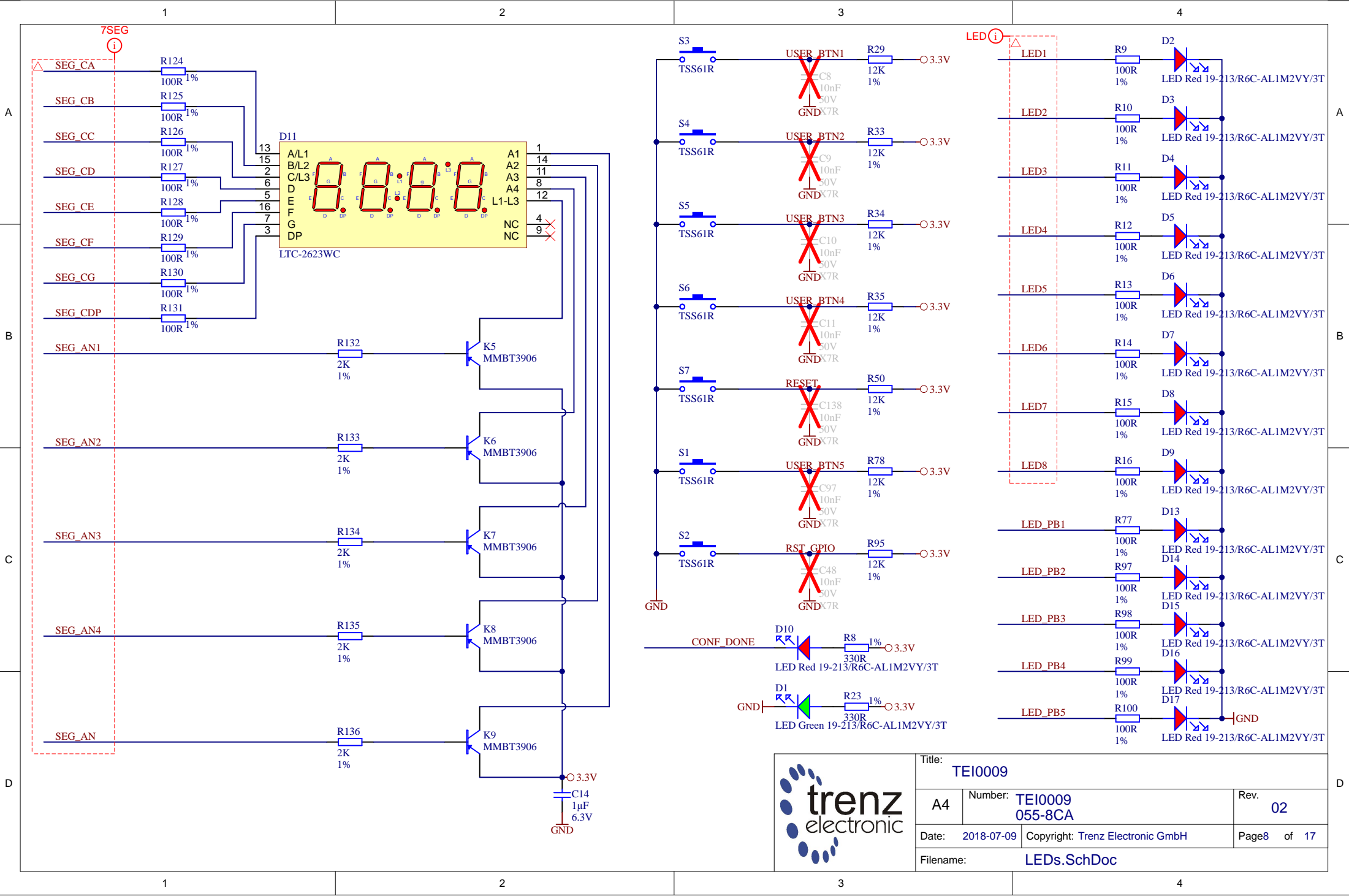
Title: TEI0009		
A4	Number: TEI0009 055-8CA	Rev. 02
Date: 2018-07-09	Copyright: Trenz Electronic GmbH	Page5 of 17
Filename: FPGA3.SchDoc		



Title: TEI0009		
A4	Number: TEI0009 055-8CA	Rev. 02
Date: 2018-07-09	Copyright: Trenz Electronic GmbH	Page6 of 17
Filename: FPGA4.SchDoc		

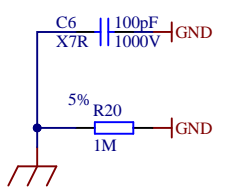
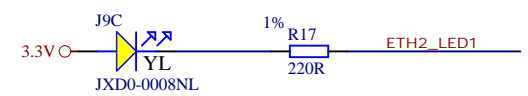
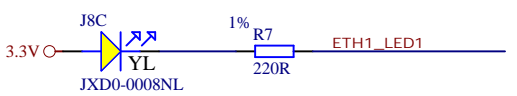
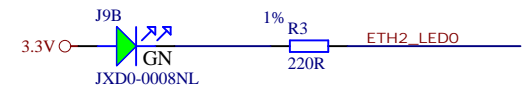
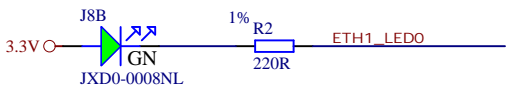
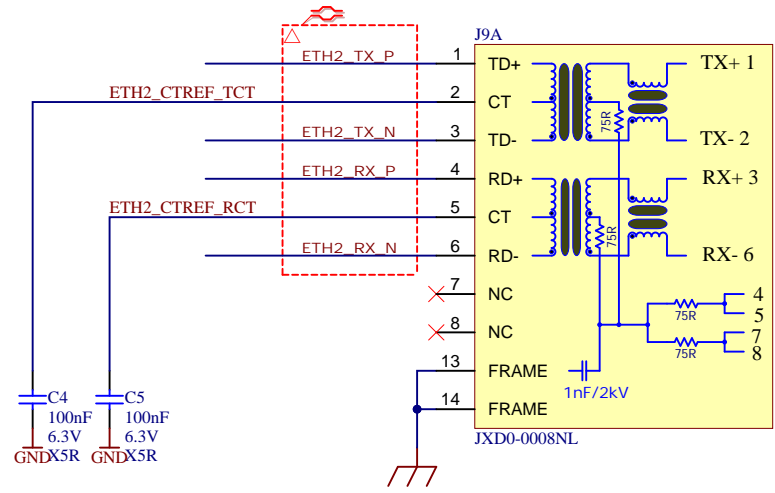
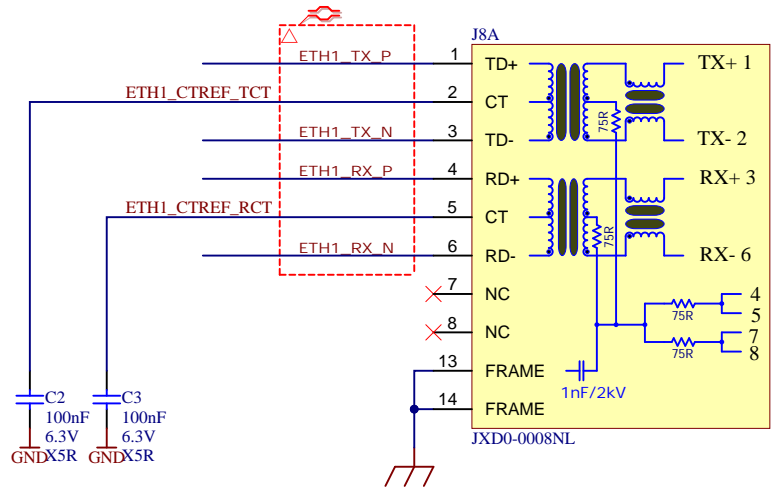


Title: <b>TEI0009</b>		
A4	Number: <b>TEI0009 055-8CA</b>	Rev. <b>02</b>
Date: <b>2018-07-09</b>	Copyright: <b>Trenz Electronic GmbH</b>	Page <b>7</b> of <b>17</b>
Filename: <b>FPGA_PWR.SchDoc</b>		

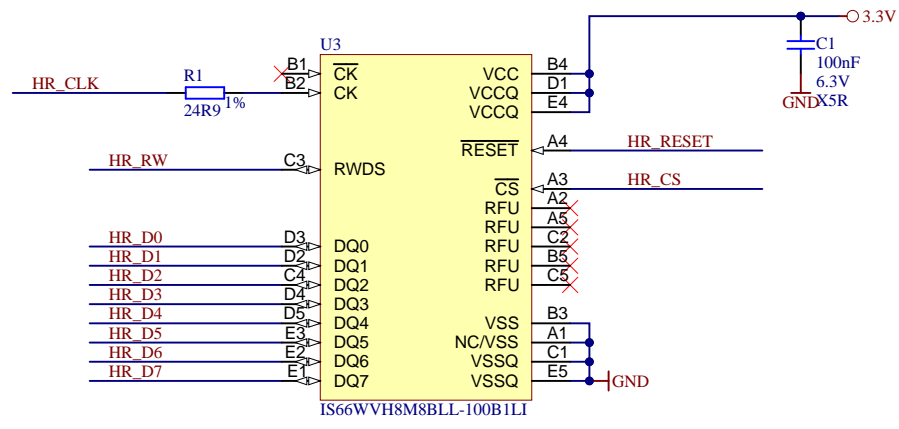
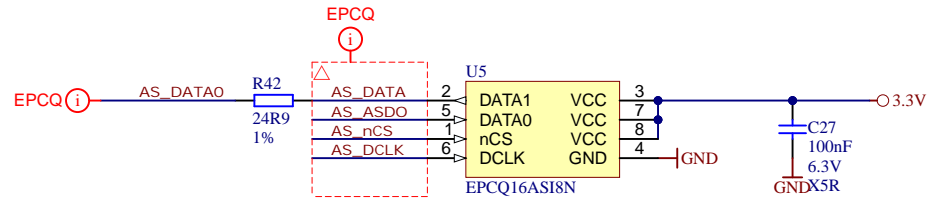
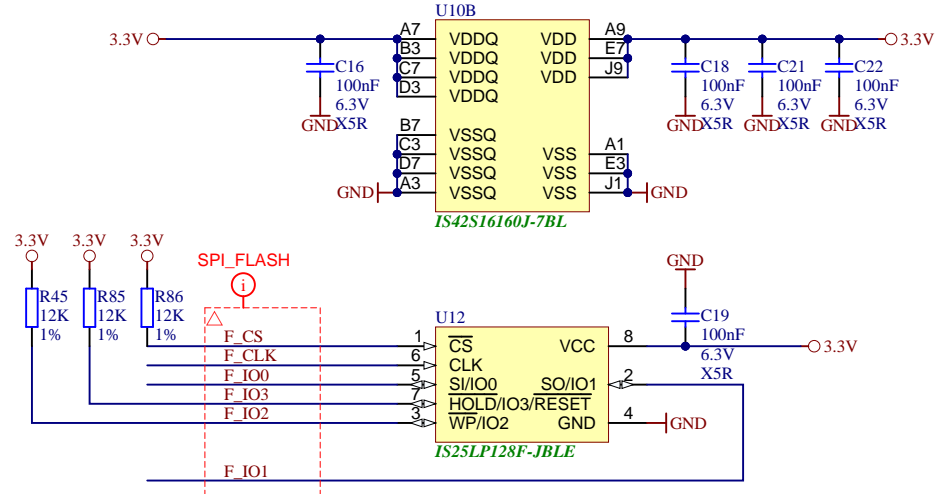
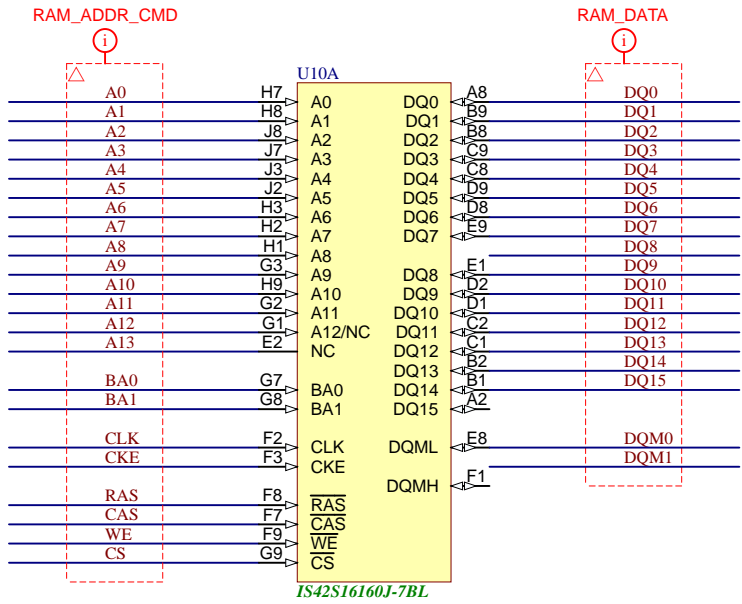



Title: TEI0009		
A4	Number: TEI0009 055-8CA	Rev. 02
Date: 2018-07-09	Copyright: Trenz Electronic GmbH	Page 8 of 17
Filename: LEDs.SchDoc		

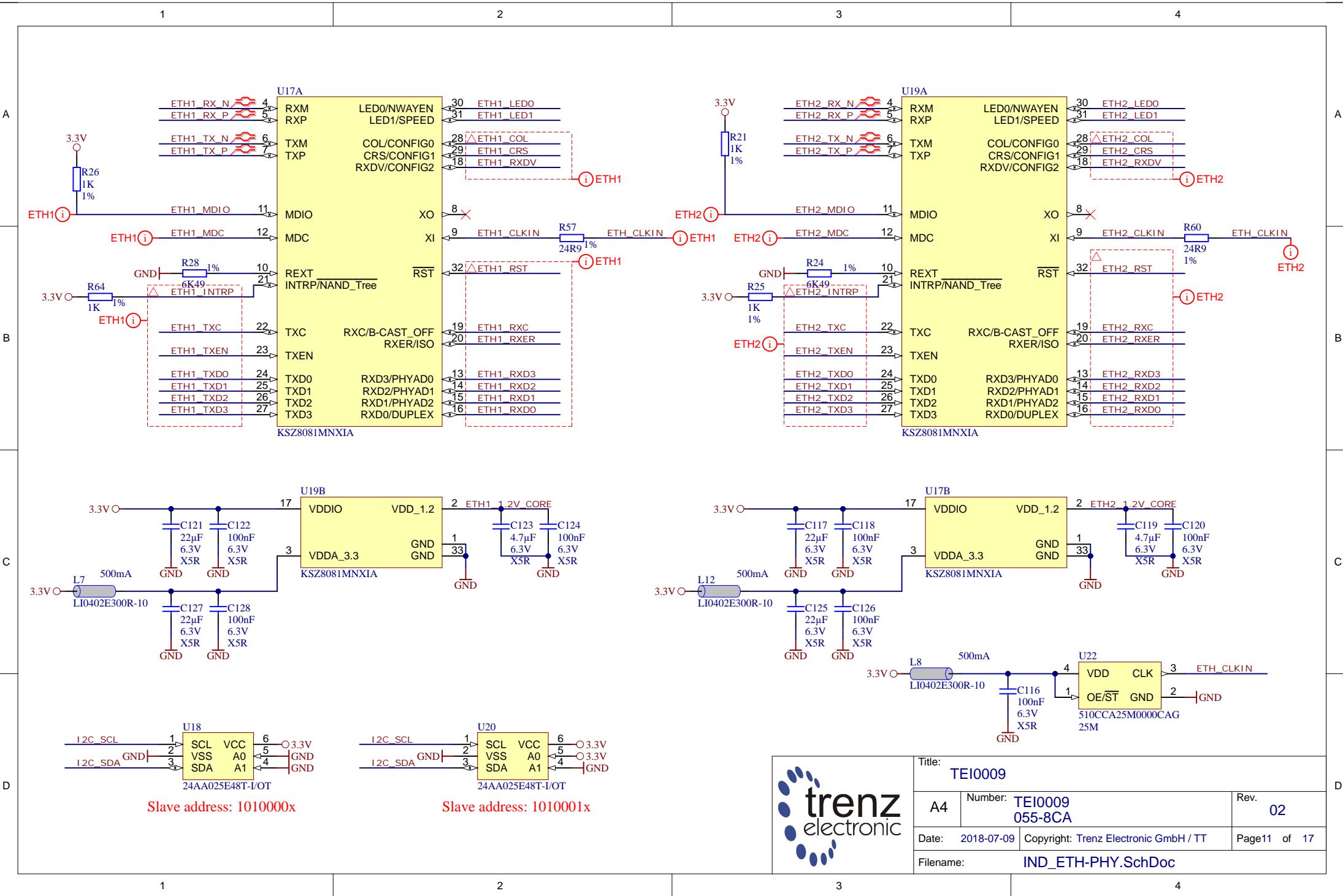




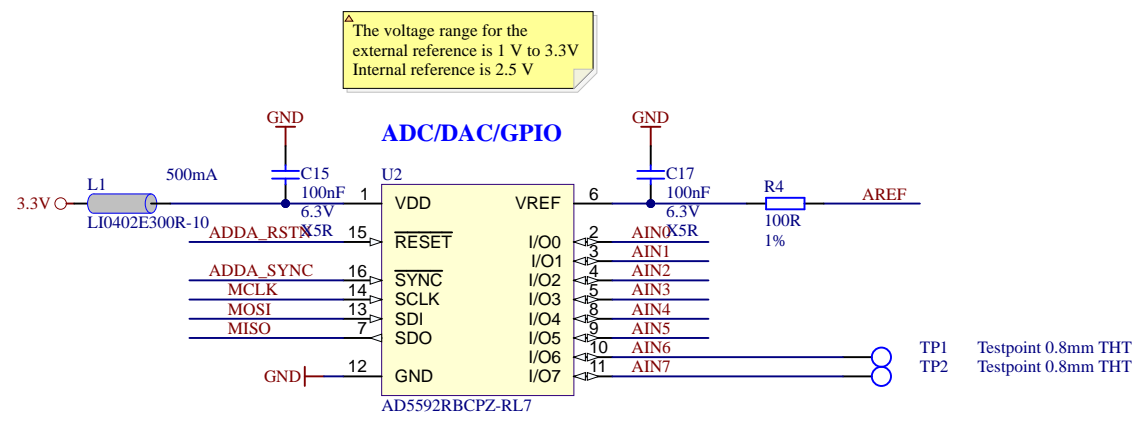
Title: TEI0009		
A4	Number: TEI0009 055-8CA	Rev. 02
Date: 2018-07-09	Copyright: Trenz Electronic GmbH	Page9 of 17
Filename: Ethernet.SchDoc		





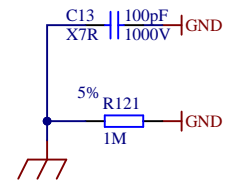
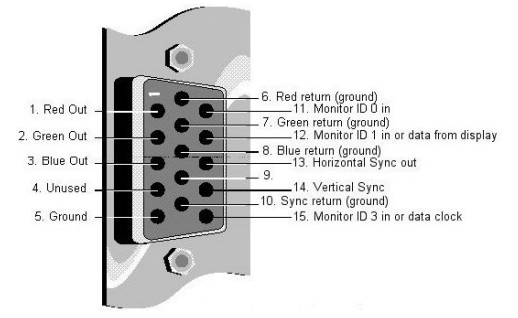
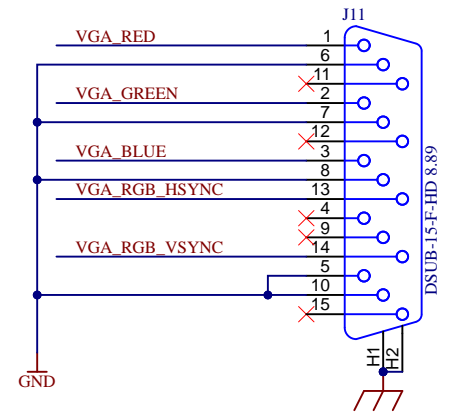
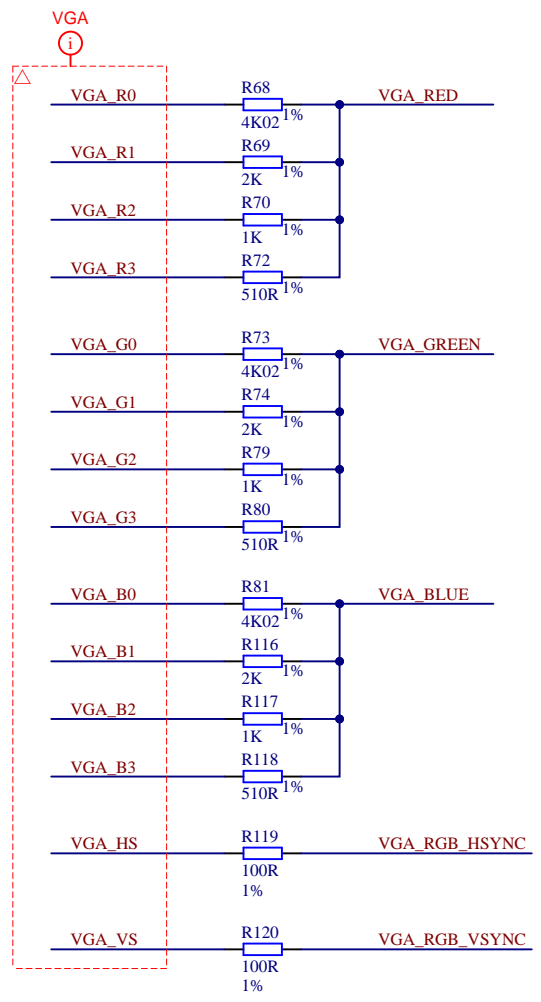
Title: TEI0009		
A4	Number: TEI0009 055-8CA	Rev. 02
Date: 2018-07-09	Copyright: Trenz Electronic GmbH	Page 10 of 17
Filename: Flash_RAM.SchDoc		



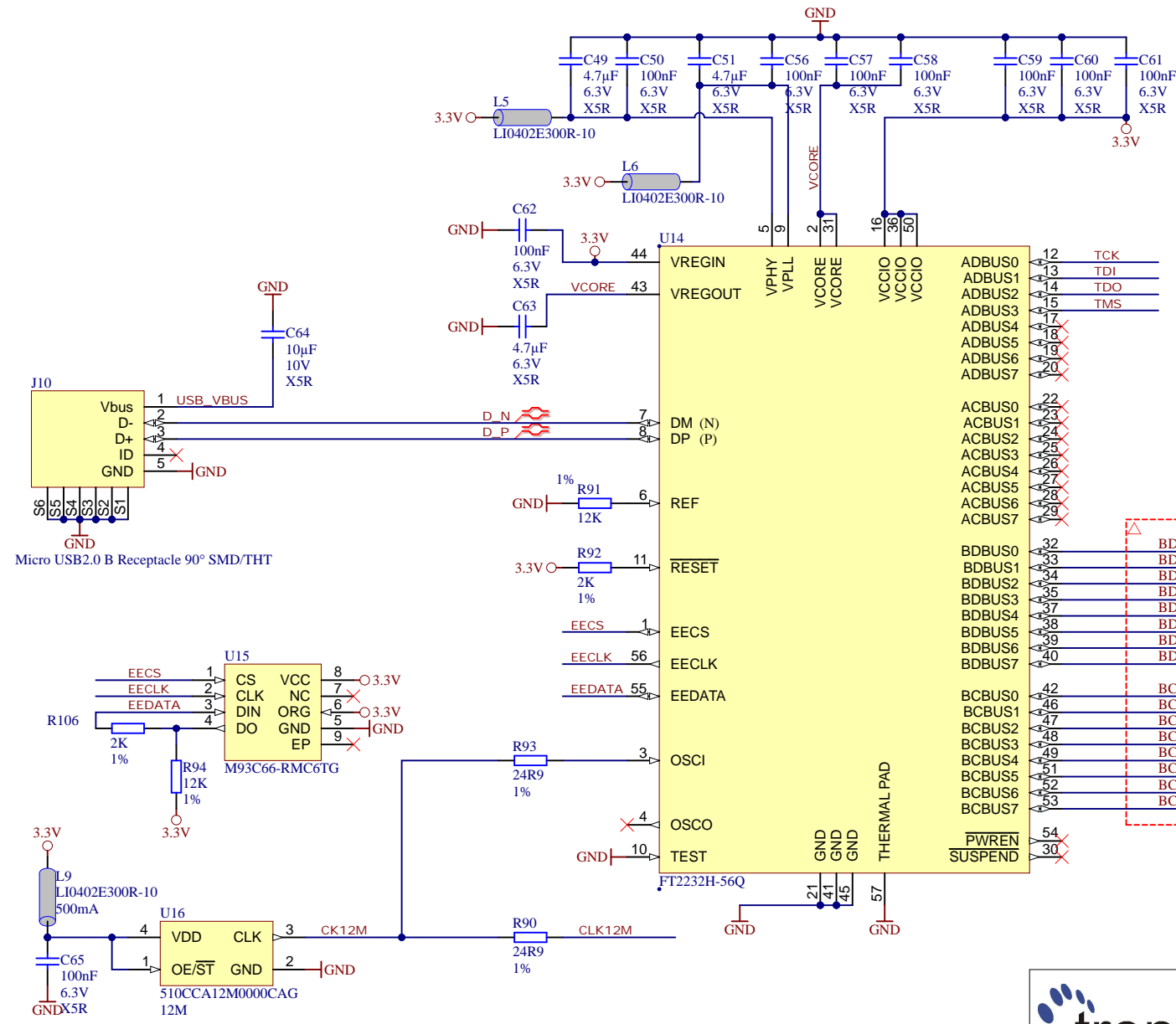
Title: TEI0009		
A4	Number: TEI0009 055-8CA	Rev. 02
Date: 2018-07-09	Copyright: Trenz Electronic GmbH / TT	Page 11 of 17
Filename: IND_ETH-PHY.SchDoc		



	Title: <b>TEI0009</b>		
	A4	Number: <b>TEI0009 055-8CA</b>	Rev. <b>02</b>
	Date: <b>2018-07-09</b>	Copyright: <b>Trenz Electronic GmbH</b>	Page <b>12</b> of <b>17</b>
	Filename: <b>ADC.SchDoc</b>		



Title: TEI0009		
A4	Number: TEI0009 055-8CA	Rev. 02
Date: 2018-07-09	Copyright: Trenz Electronic GmbH	Page 13 of 17
Filename: VGA_OUT.SchDoc		



Title: <b>TEI0009</b>		
A4	Number: <b>TEI0009 055-8CA</b>	Rev. <b>02</b>
Date: <b>2018-07-09</b>	Copyright: <b>Trenz Electronic GmbH</b>	Page <b>14</b> of <b>17</b>
Filename: <b>FTDI.SchDoc</b>		



1

2

3

4

A

A

B

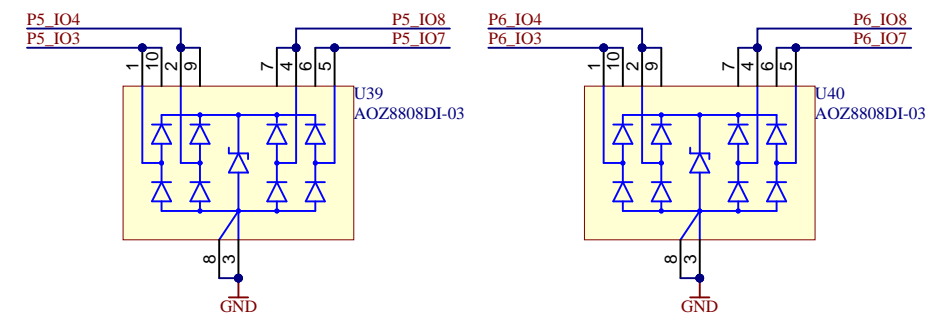
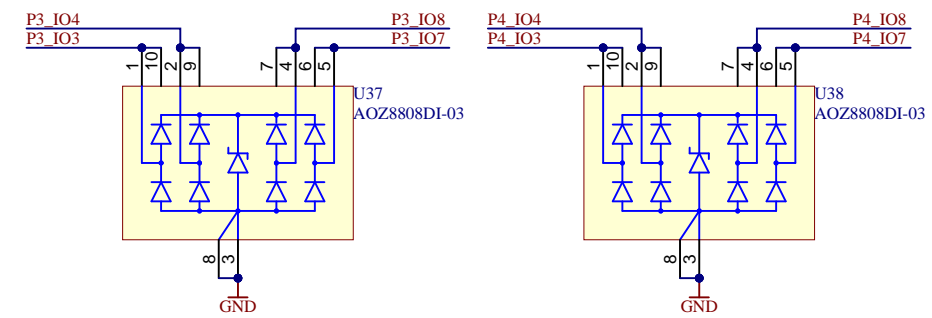
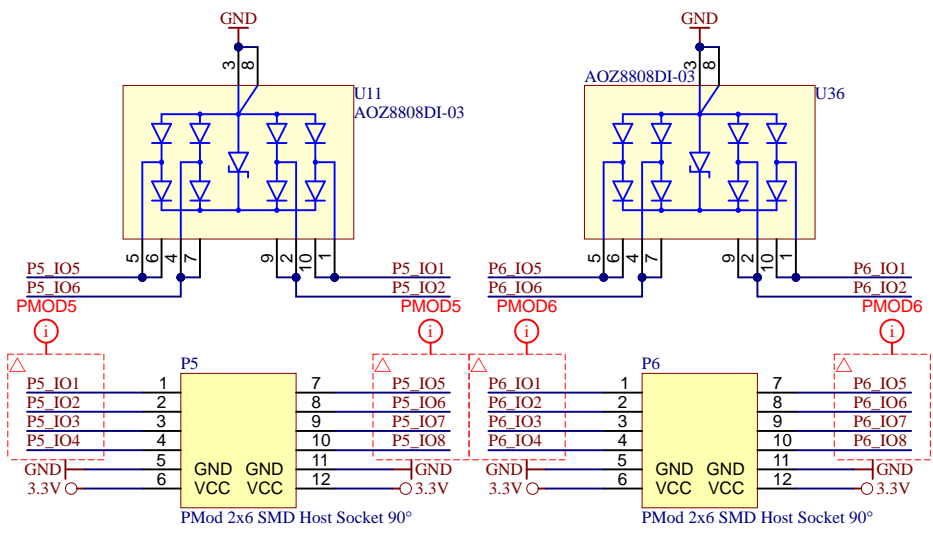
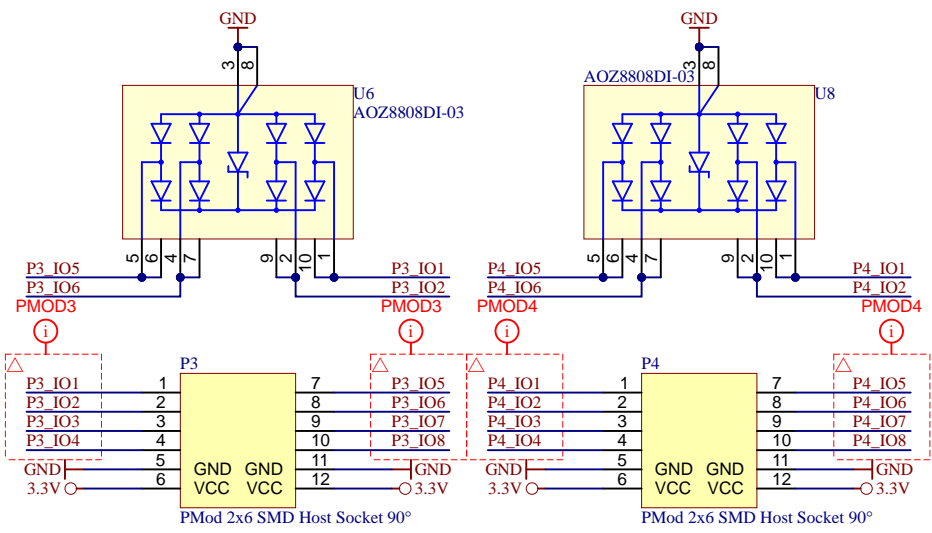
B

C

C

D

D



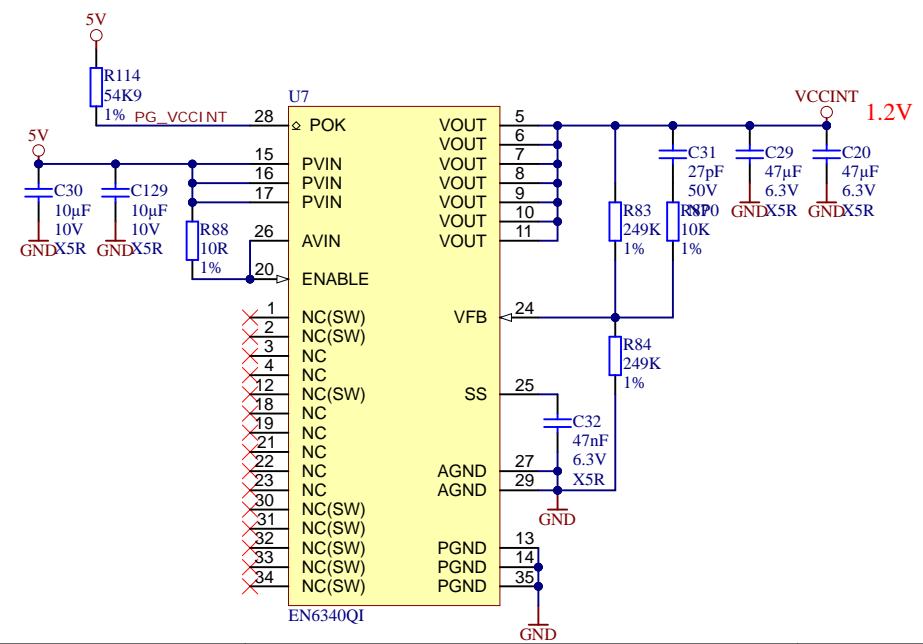
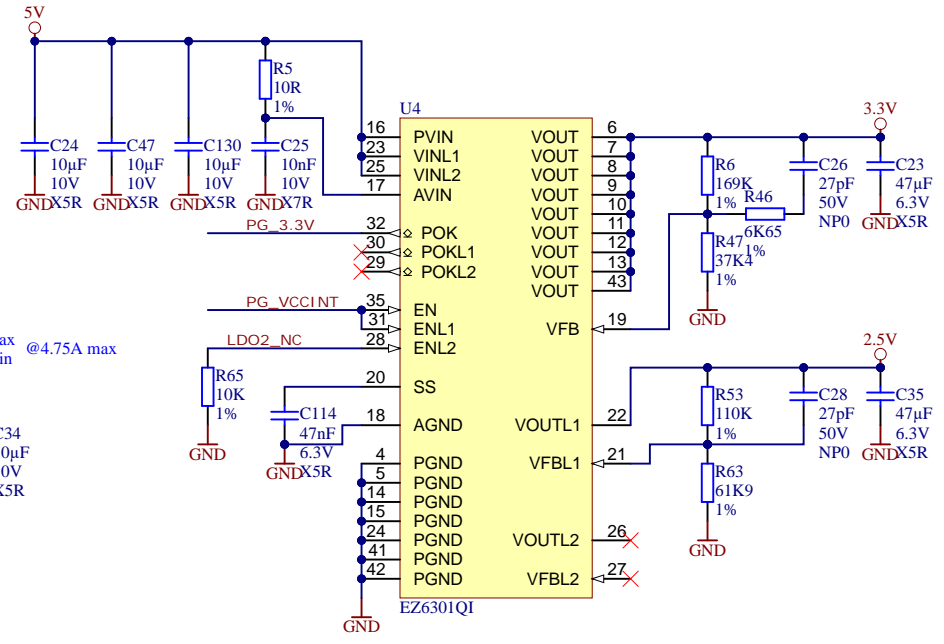
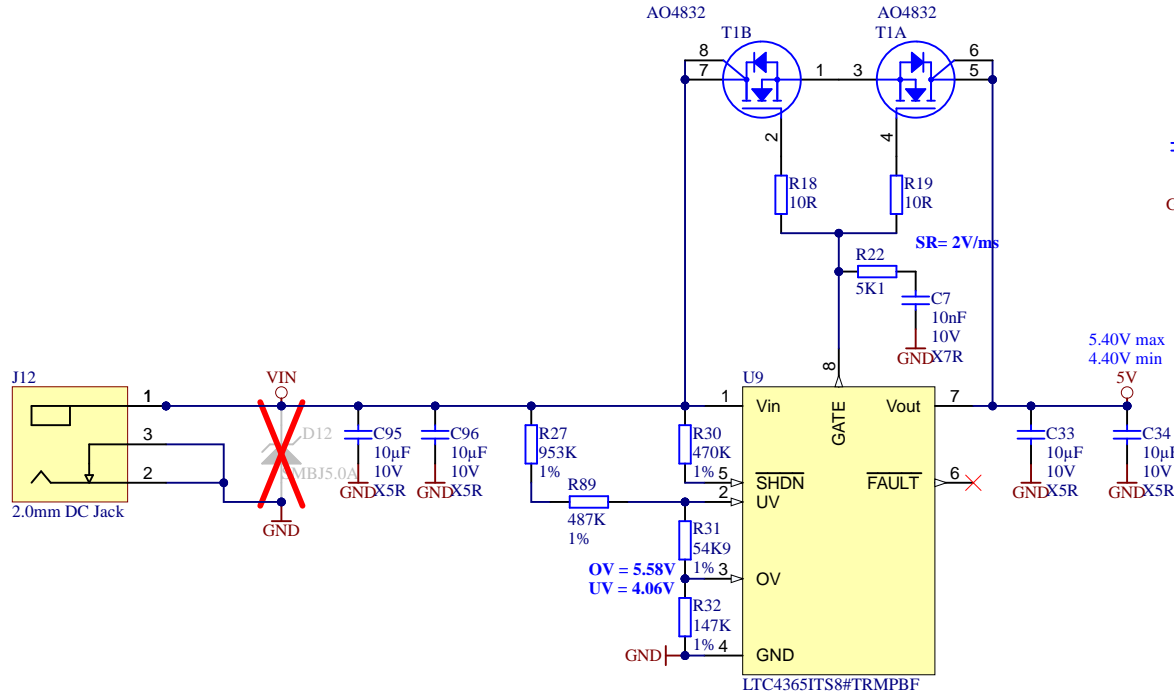
Title: TEI0009		
A4	Number: TEI0009 055-8CA	Rev. 02
Date: 2018-07-09	Copyright: Trenz Electronic GmbH	Page 15 of 17
Filename: PMOD.SchDoc		

1

2

3

4



Title: TEI0009		
A4	Number: TEI0009 055-8CA	Rev. 02
Date: 2018-07-09	Copyright: Trenz Electronic GmbH	Page 16 of 17
Filename: PowerSupply.SchDoc		



1

2

3

4

REV01: Prototype only

REV02: Mass production  
-----

2019-08-30  
1) Replaced R27 by 953k and R32 by 147k

A

A

B


B

C

C

D

D

		Title: <b>TEI0009</b>	
		A4	Number: <b>TEI0009 055-8CA</b>
Date: <b>2018-07-09</b>		Copyright: <b>Trenz Electronic GmbH</b>	
Filename: <b>Revision_Changes.SchDoc</b>		Page <b>17</b> of <b>17</b>	

1

2

3

4