

1

2

3

4

A

A

B

B

C

C

D

D

LOGO1

TE Logo PRINT Layer

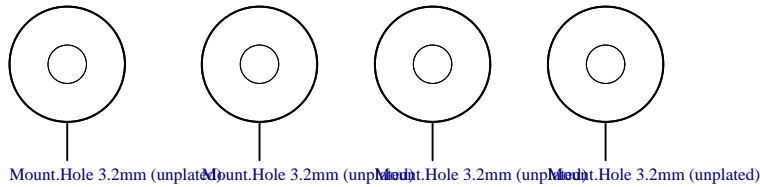
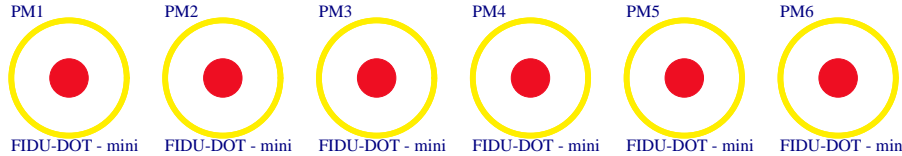
LOGO PRINT

Serial

Serial

Serialnumber 6,3 x 6.3mm

~~S/N  
Serialnumber~~



Design drawn by: VT  
 Checked by: IG  
 Assembly variant: PHIQ2R  
 Created by: VT  
 Modified by: VT  
 Modified at: 2021-03-05



Title: TEI0009		
A4	Number: TEI0009 PHIQ2R	Rev. 02
Date: 2018-07-09	Copyright: Trenz Electronic GmbH	Page 1 of 17
Filename: TEI0009.SchDoc		

1

2

3

4

1

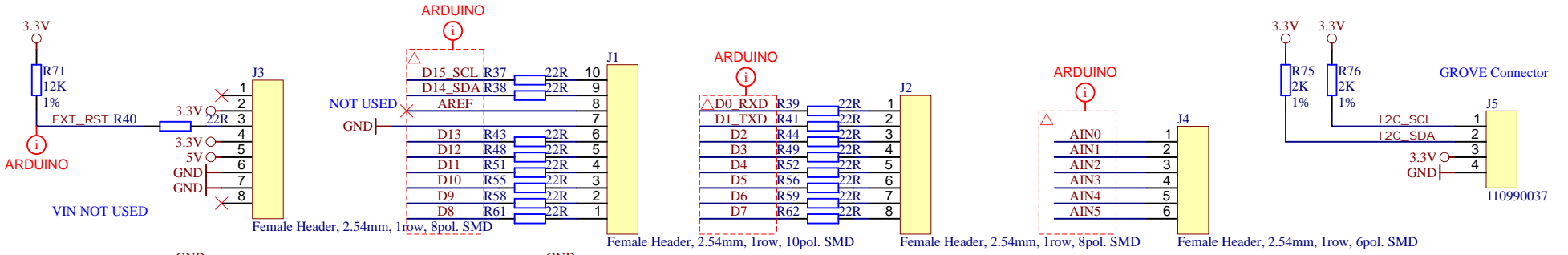
2

3

4

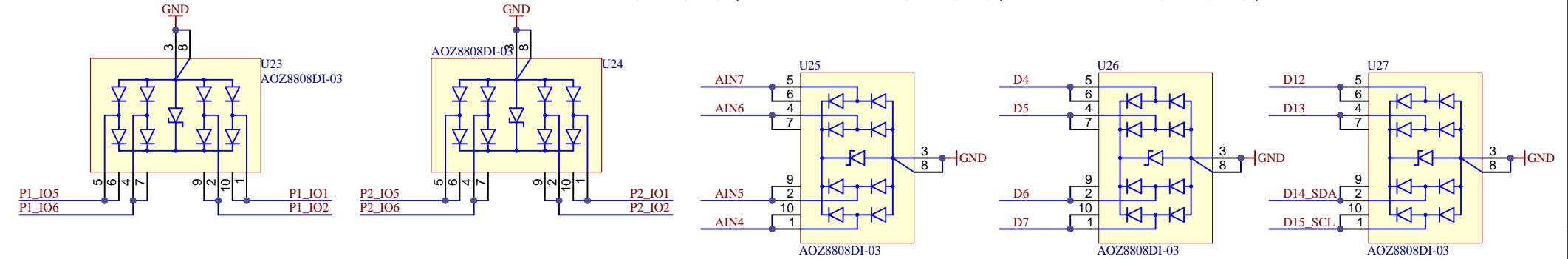
A

A



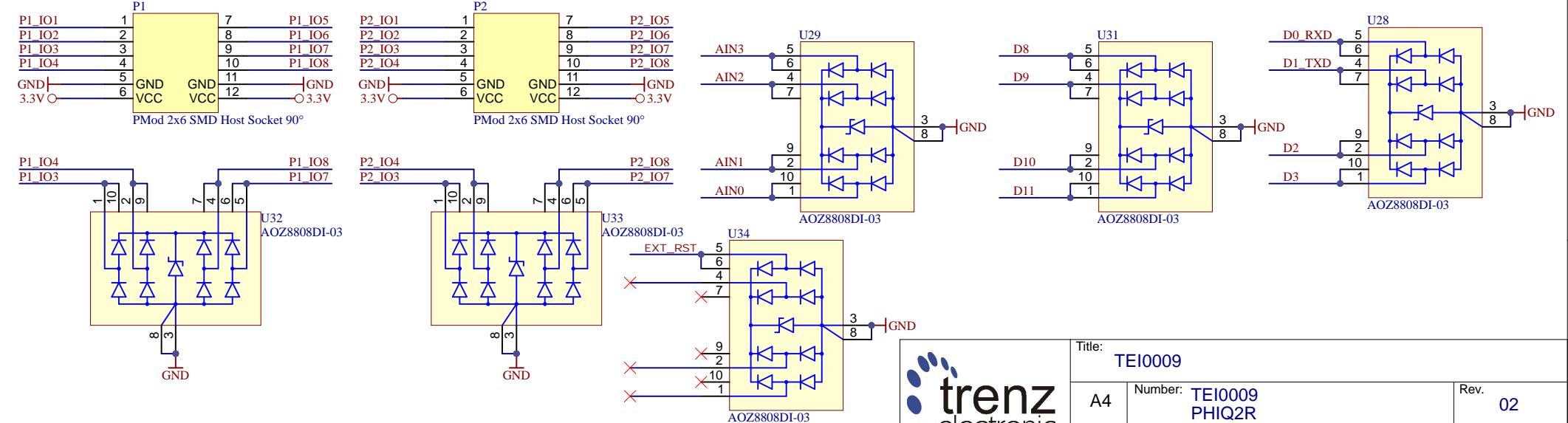
B

B



C

C



D

D



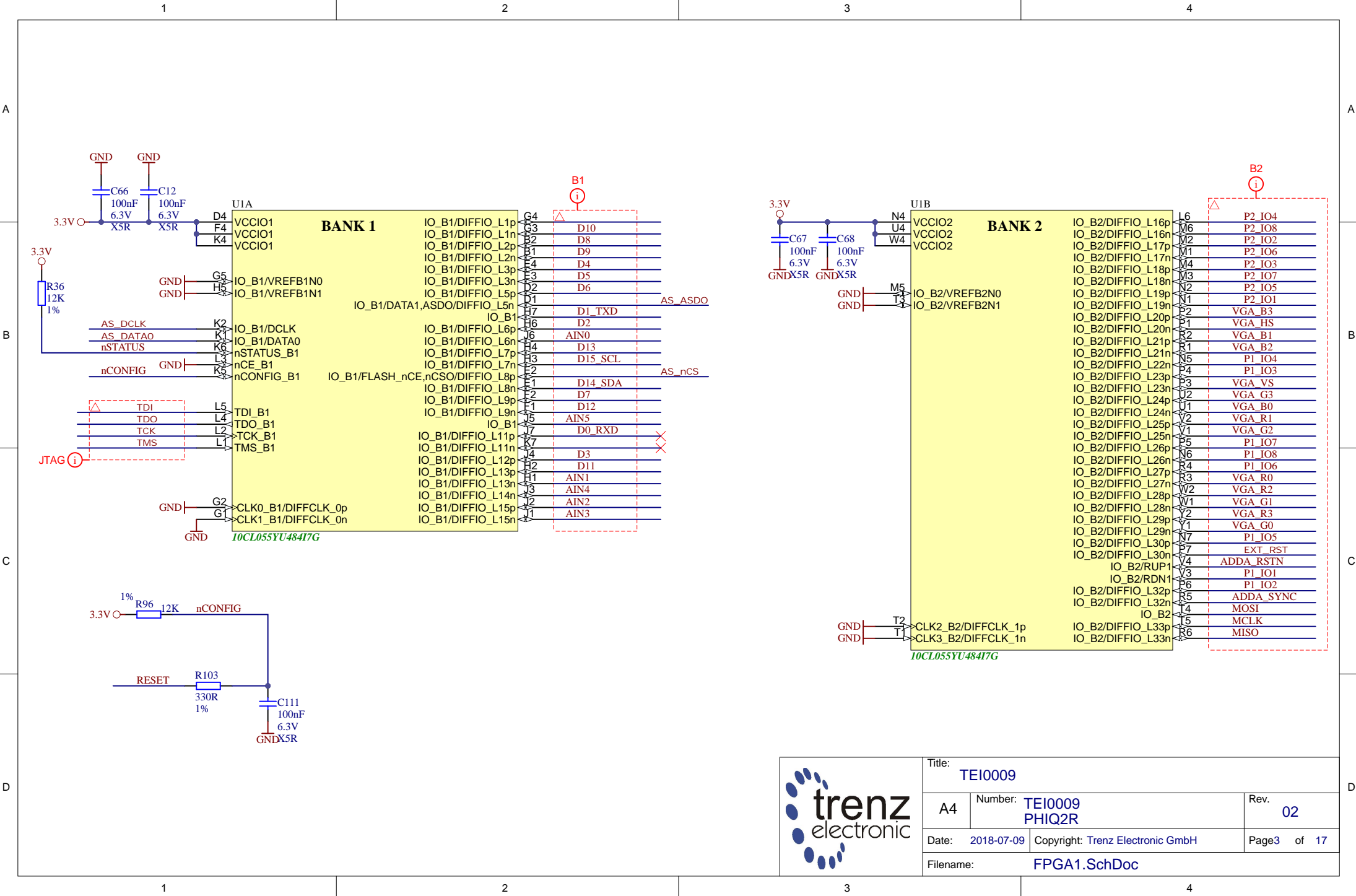
Title: TEI0009		
A4	Number: TEI0009 PHIQ2R	Rev. 02
Date: 2018-07-09	Copyright: Trenz Electronic GmbH	Page2 of 17
Filename: A-Headers.SchDoc		


1

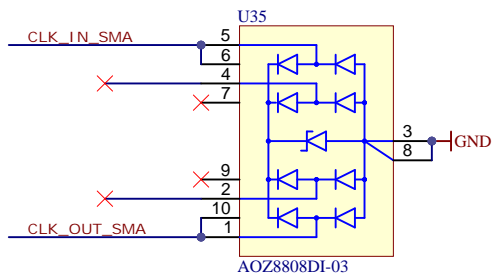
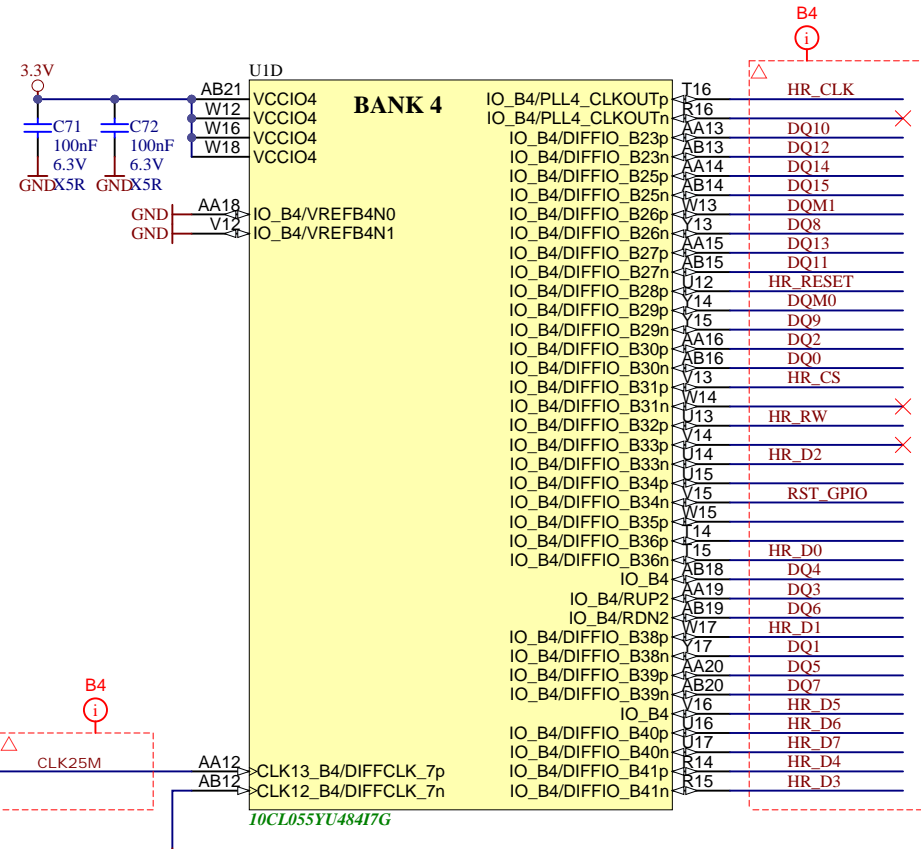
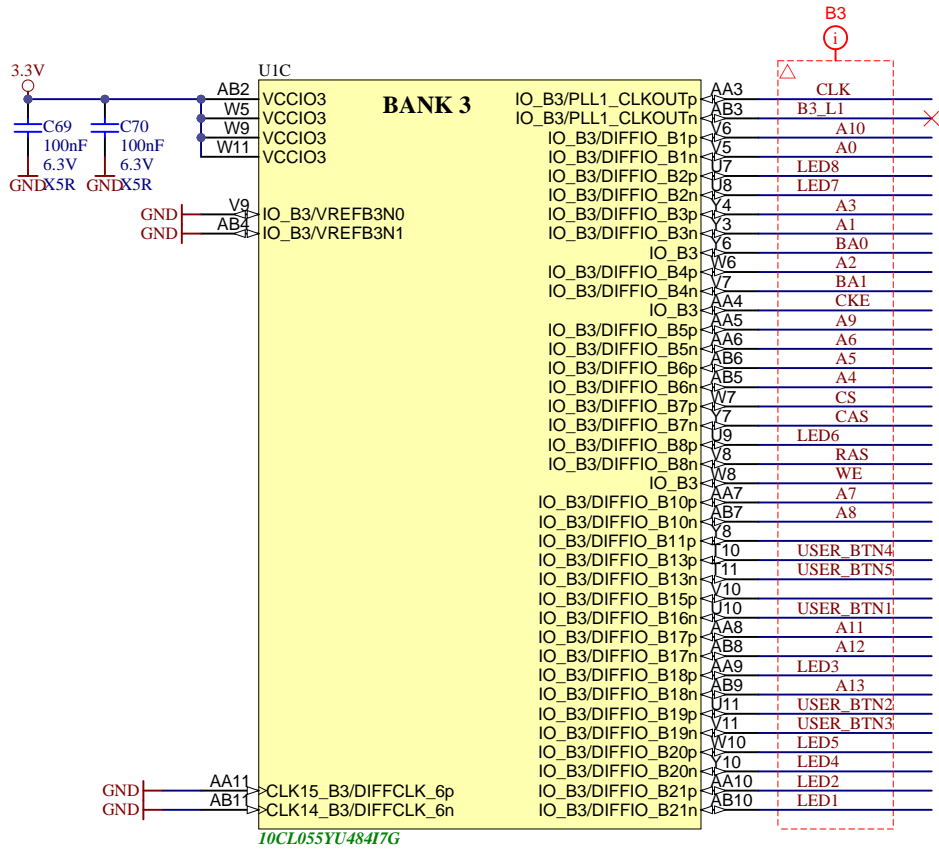
2

3

4

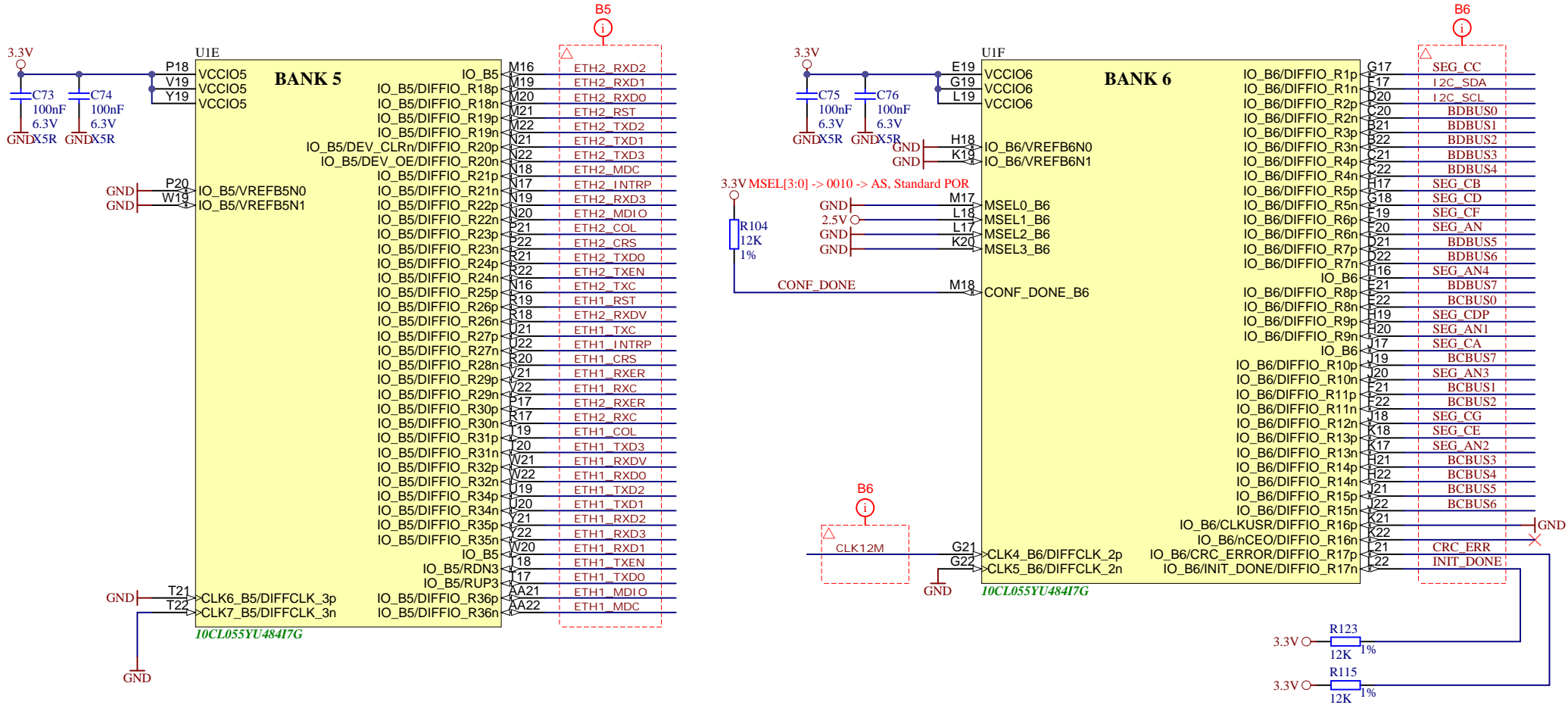


		Title: <b>TEI0009</b>	
		A4	Number: <b>TEI0009 PHIQ2R</b>
Date: <b>2018-07-09</b>		Copyright: <b>Trenz Electronic GmbH</b>	
Filename: <b>FPGA1.SchDoc</b>		Page <b>3</b> of <b>17</b>	



Title: <b>TEI0009</b>		
A4	Number: <b>TEI0009 PHIQ2R</b>	Rev. <b>02</b>
Date: <b>2018-07-09</b>	Copyright: Trenz Electronic GmbH	
Page <b>4</b> of <b>17</b>		
Filename: <b>FPGA2.SchDoc</b>		

VREF not used -> GND



Title: TEI0009		
A4	Number: TEI0009 PHIQ2R	Rev. 02
Date: 2018-07-09	Copyright: Trenz Electronic GmbH	Page5 of 17
Filename: FPGA3.SchDoc		

A

A

B

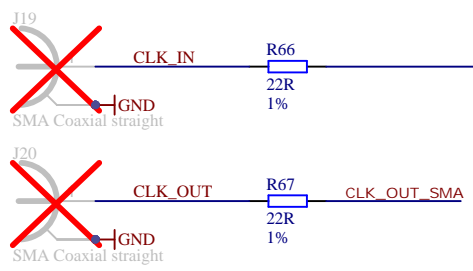
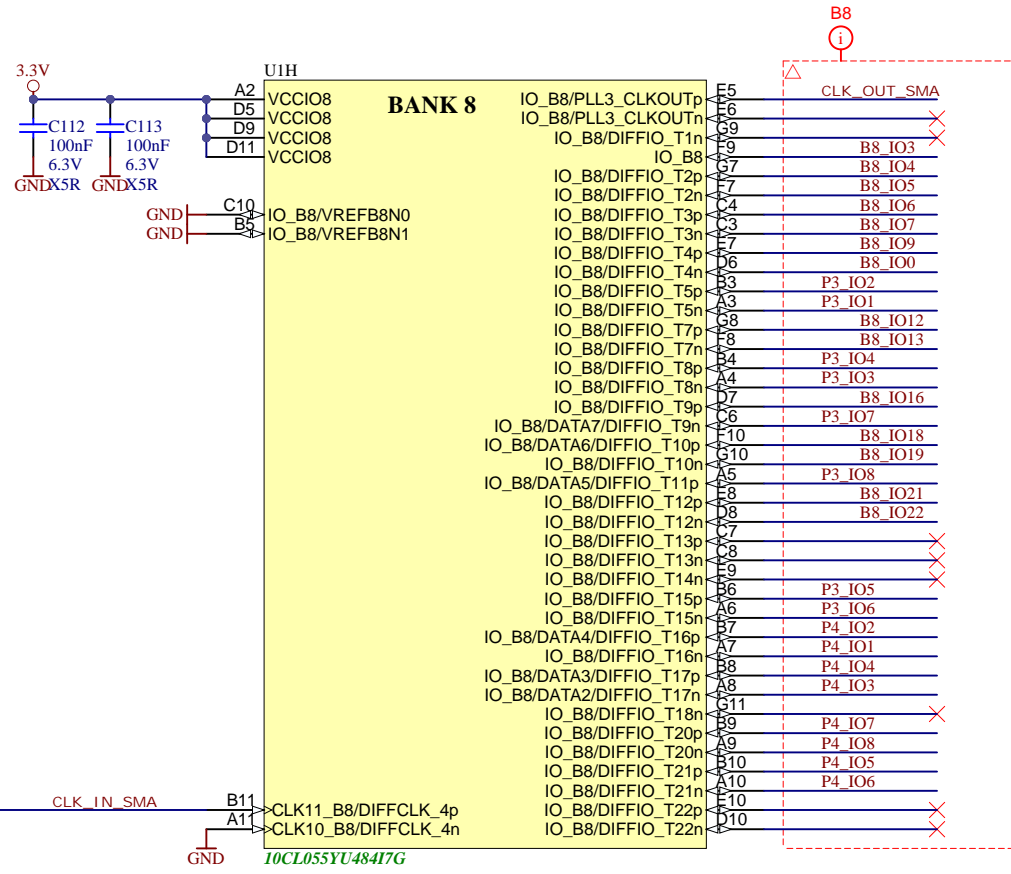
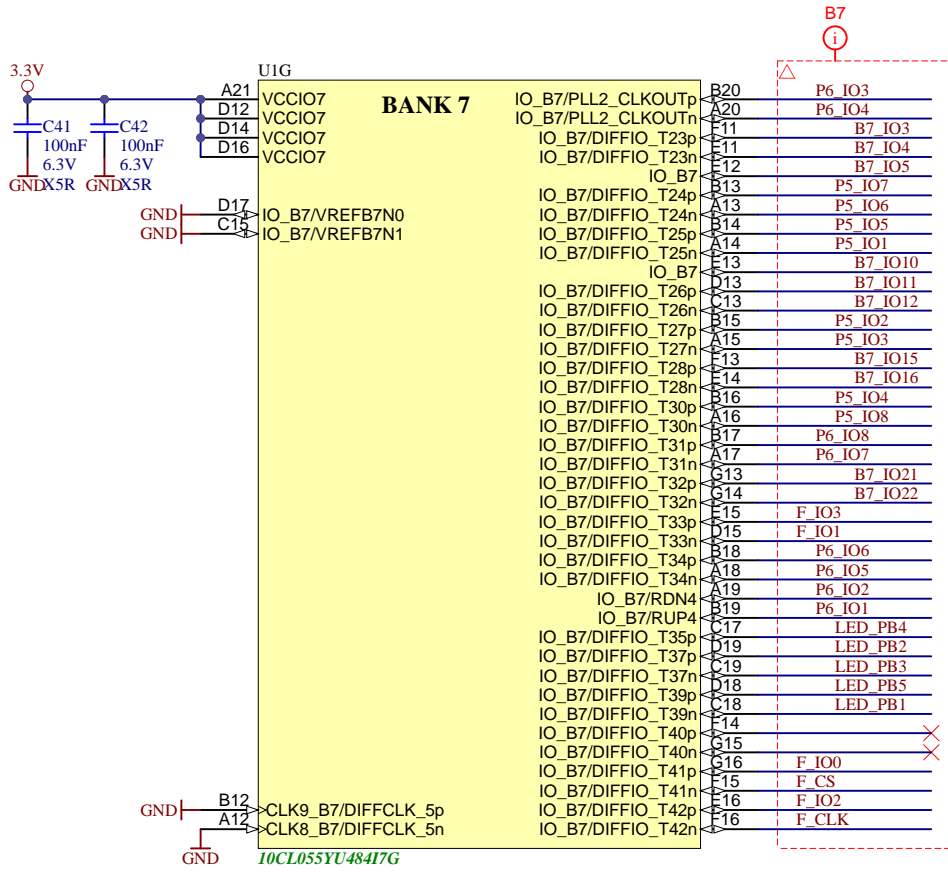
B

C

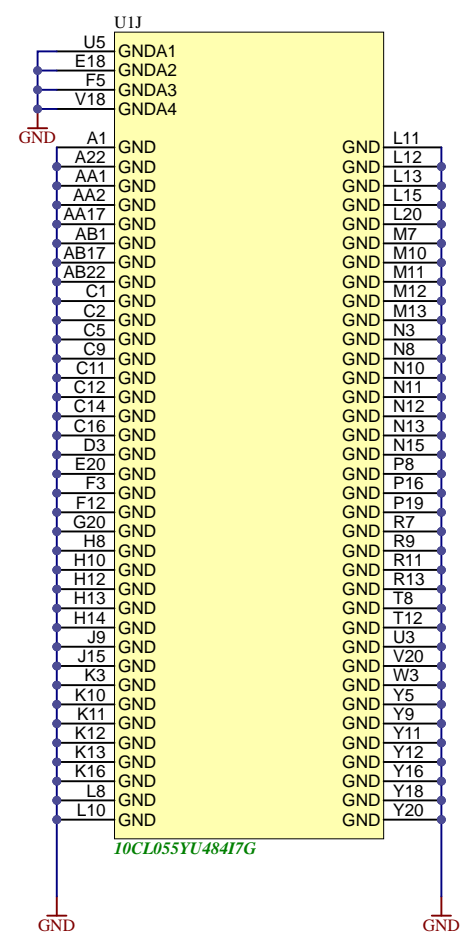
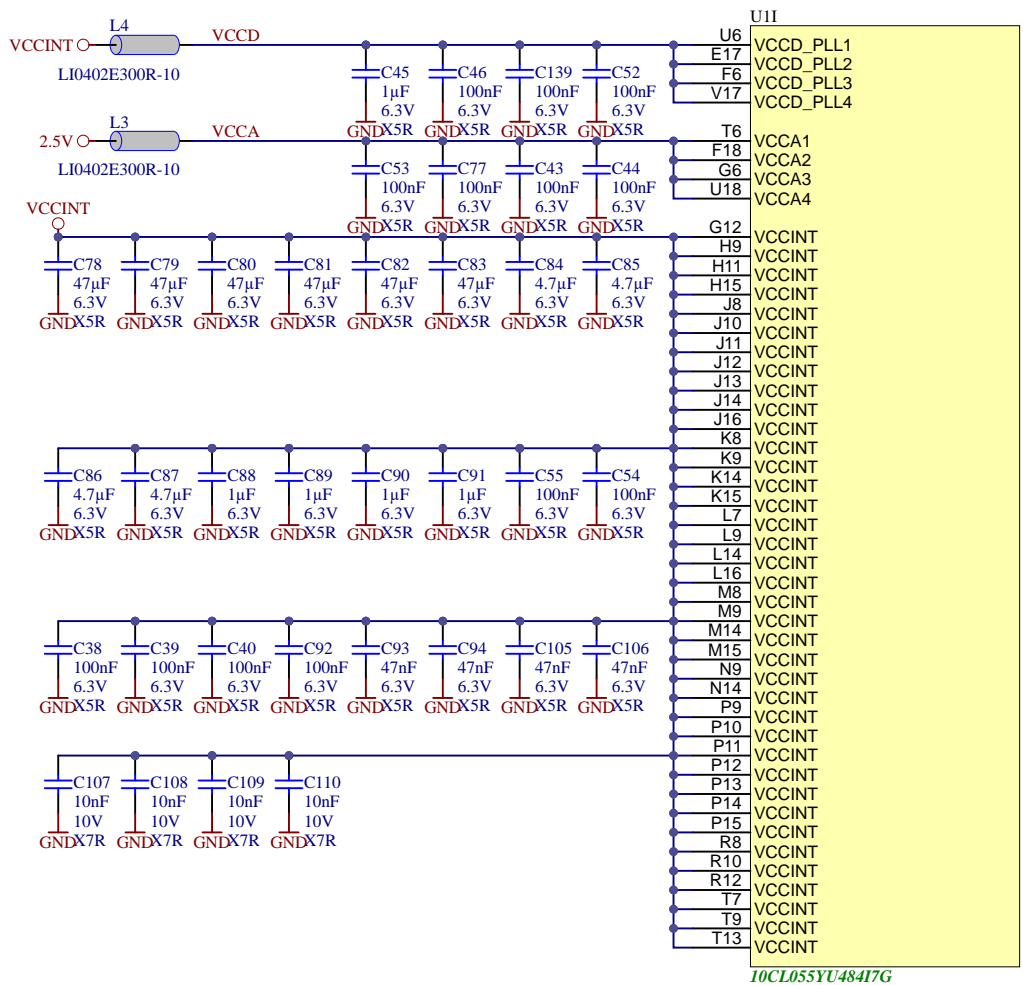
C

D

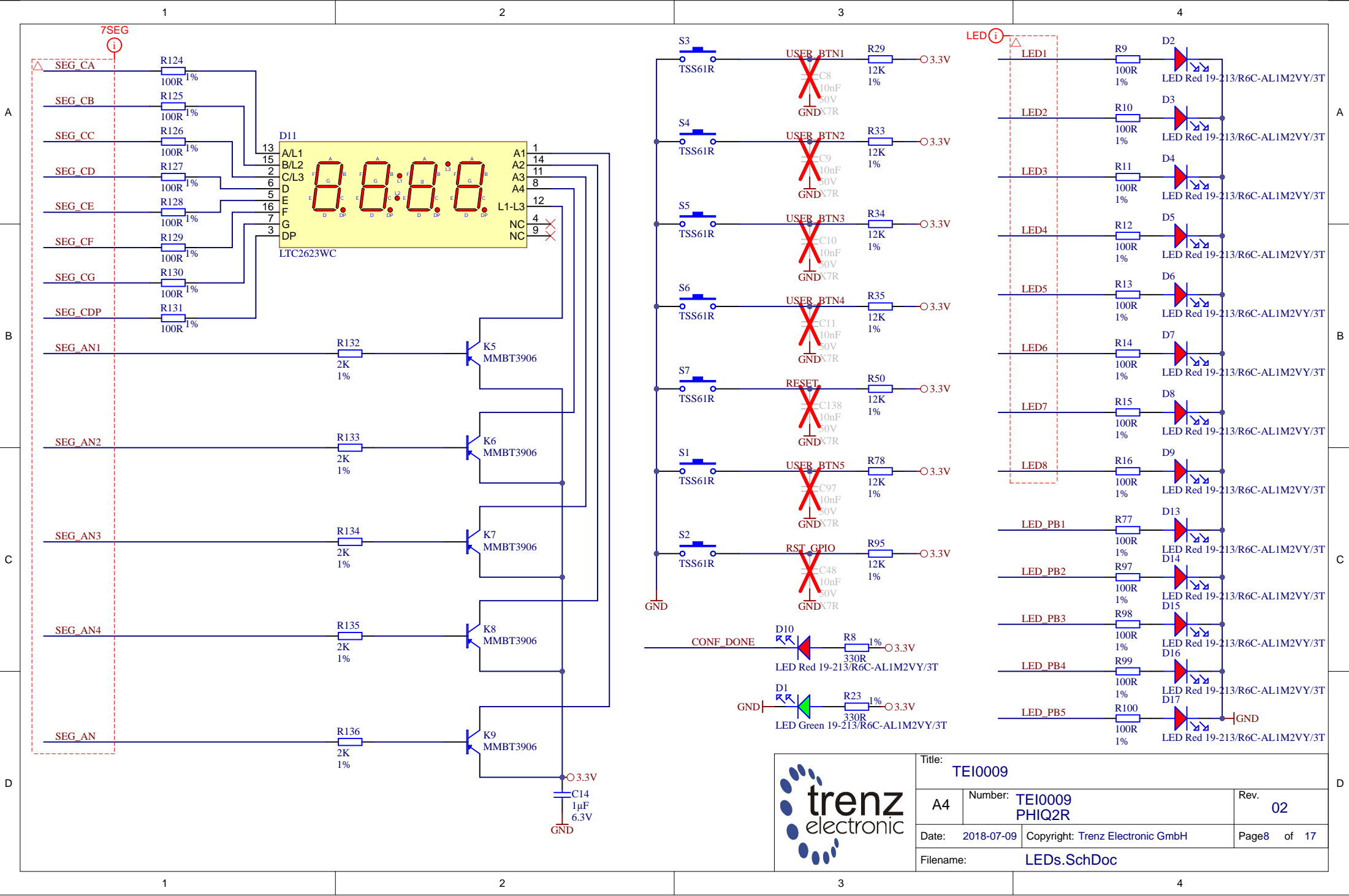
D



Title: TEI0009		
A4	Number: TEI0009 PHIQ2R	Rev. 02
Date: 2018-07-09	Copyright: Trenz Electronic GmbH	Page6 of 17
Filename: FPGA4.SchDoc		

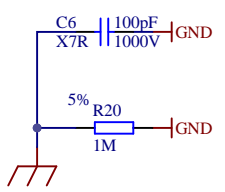
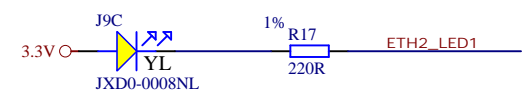
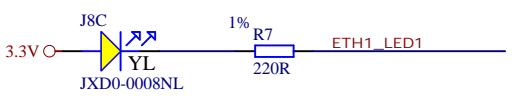
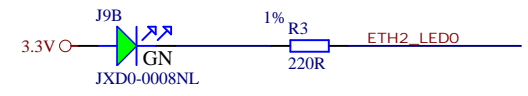
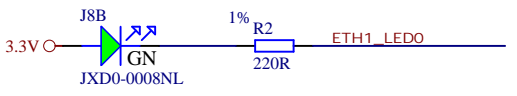
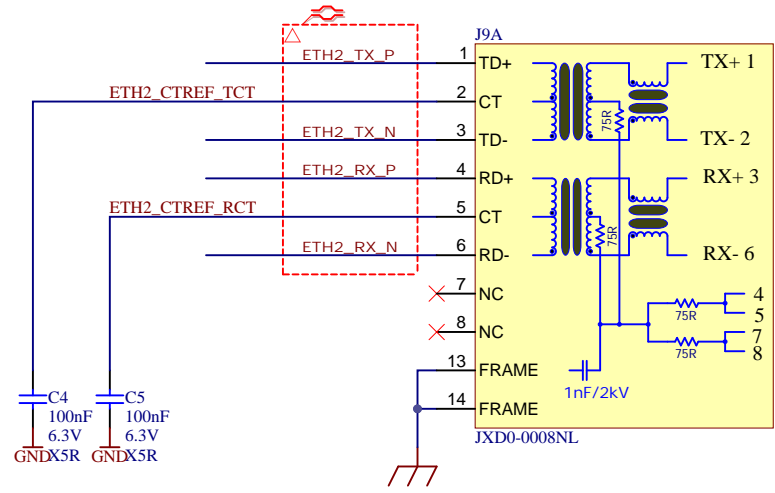
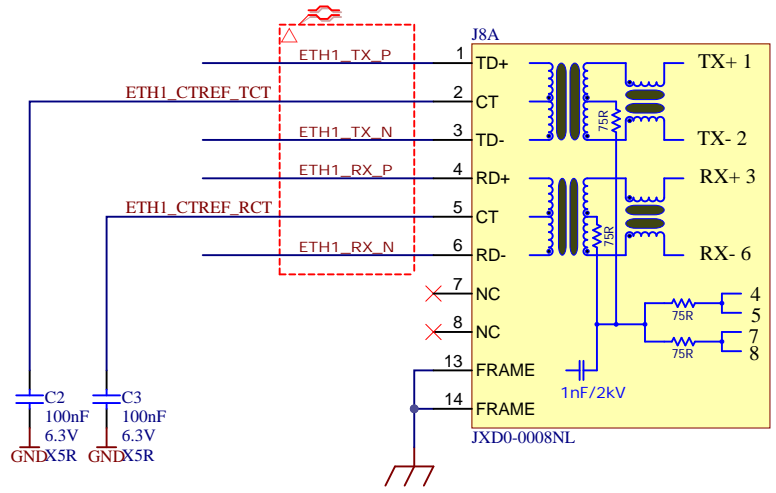


		Title: TEI0009	
		A4	Number: TEI0009 PHIQ2R
Date: 2018-07-09		Copyright: Trenz Electronic GmbH	
Filename: FPGA_PWR.SchDoc		Page 7 of 17	

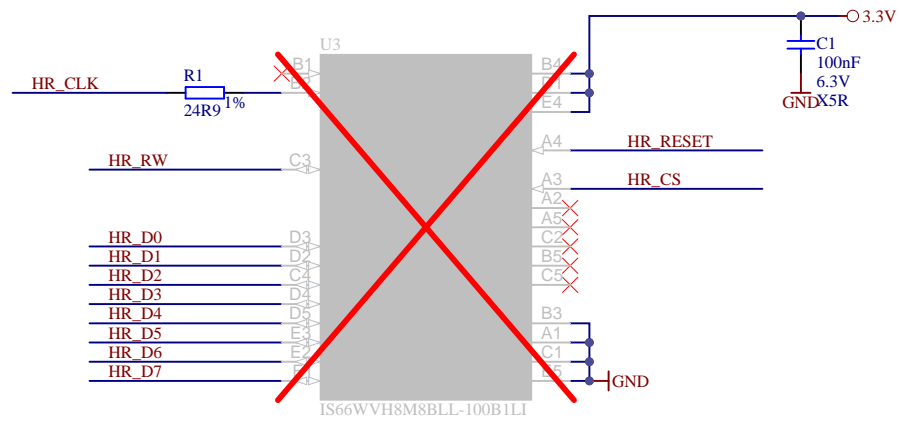
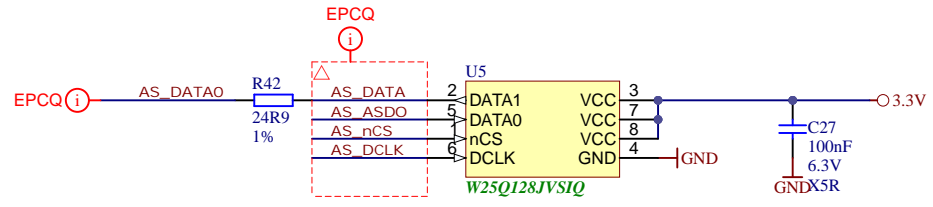
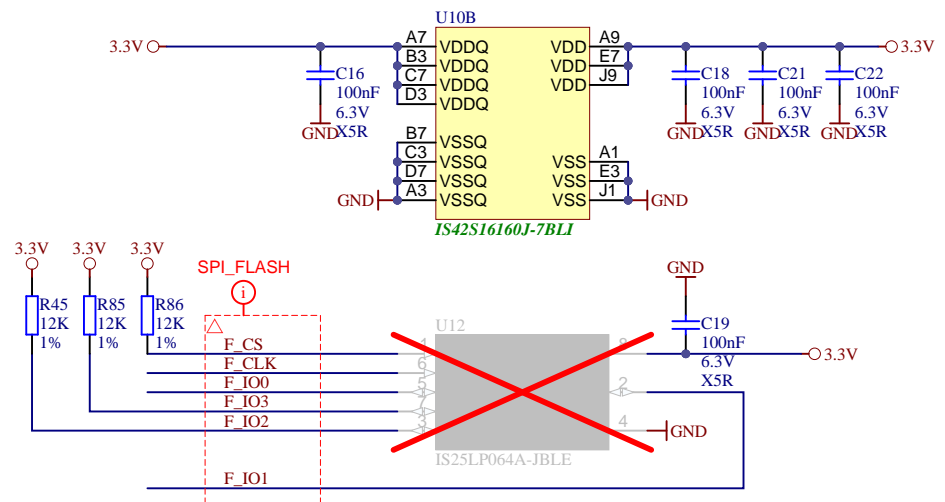
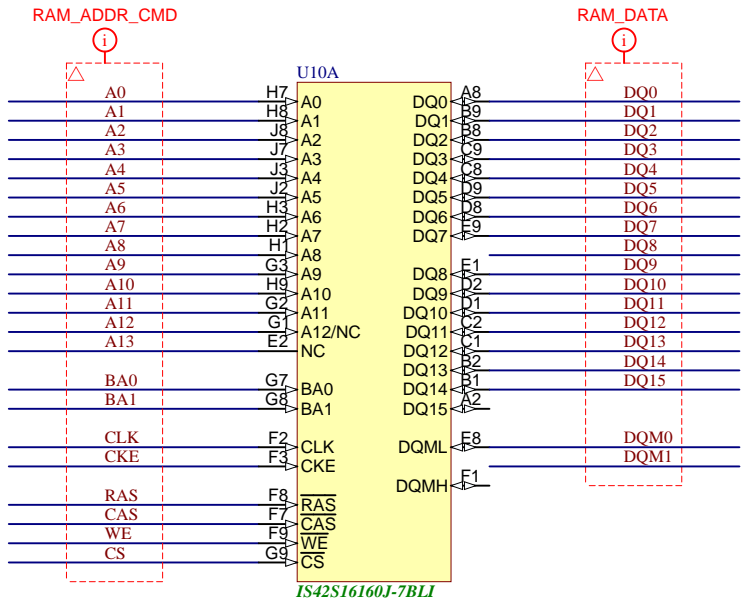


Title: TEI0009		
A4	Number: TEI0009 PHIQ2R	Rev. 02
Date: 2018-07-09	Copyright: Trenz Electronic GmbH	Page 8 of 17
Filename: LEDs.SchDoc		

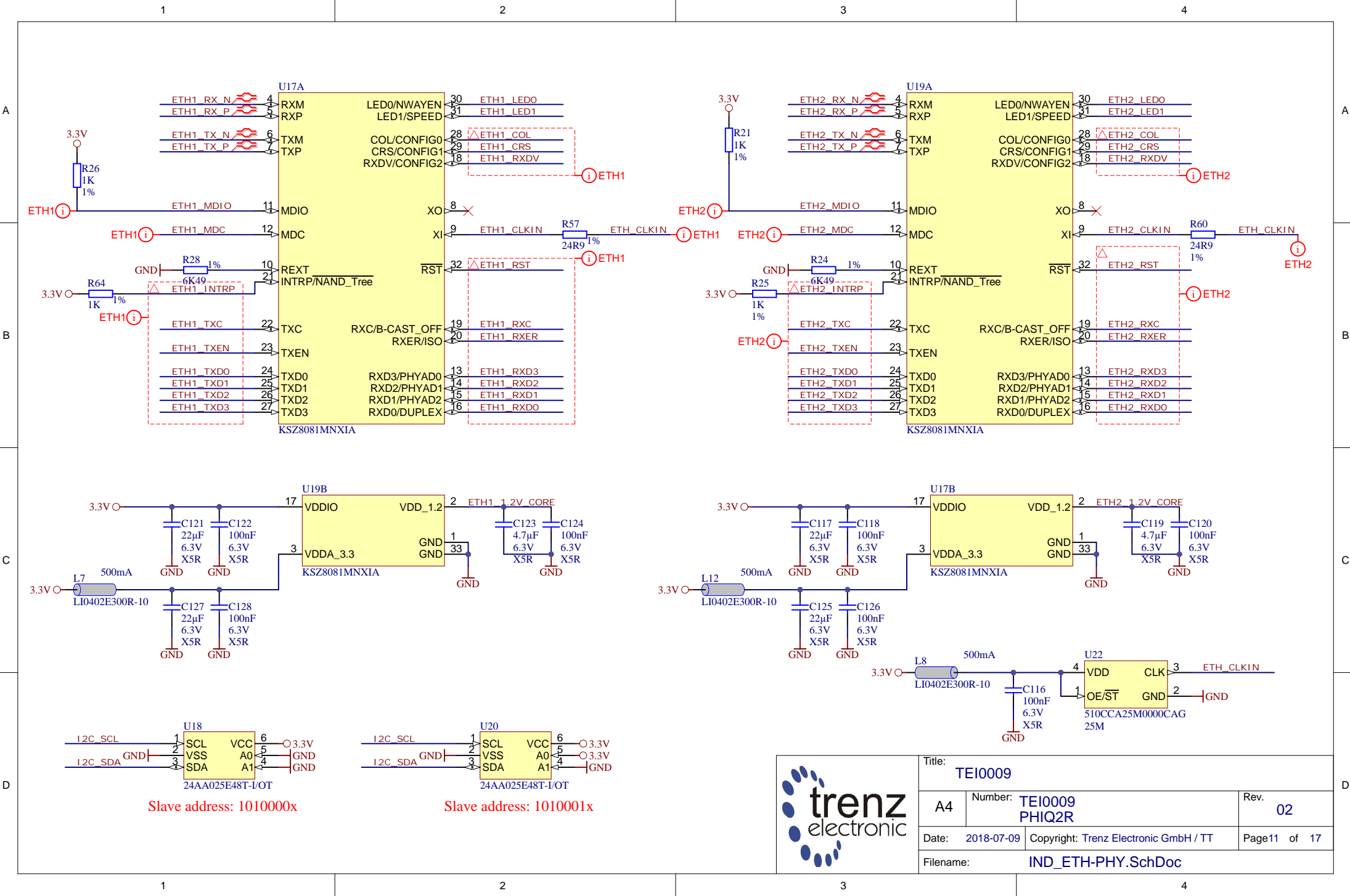




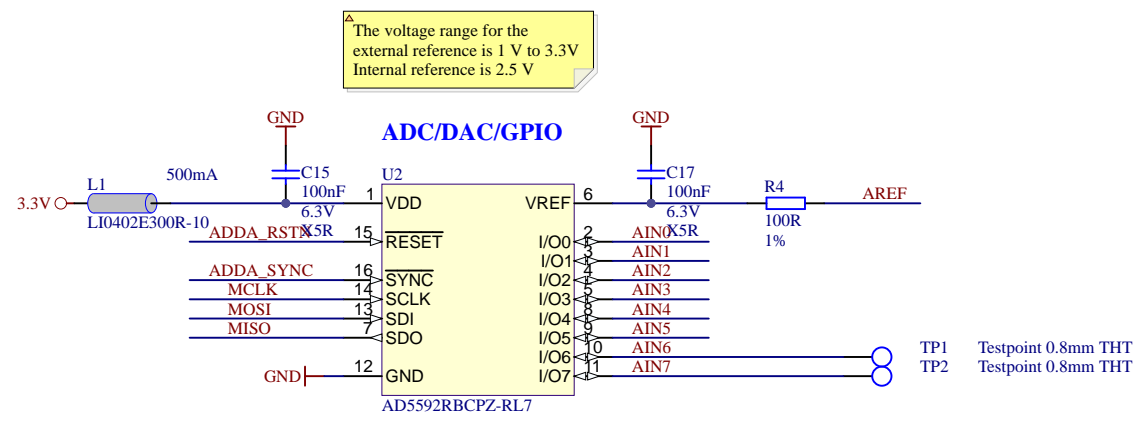
Title: TEI0009		
A4	Number: TEI0009 PHIQ2R	Rev. 02
Date: 2018-07-09	Copyright: Trenz Electronic GmbH	Page9 of 17
Filename: Ethernet.SchDoc		




Title: <b>TEI0009</b>		
A4	Number: <b>TEI0009 PHIQ2R</b>	Rev. <b>02</b>
Date: <b>2018-07-09</b>	Copyright: Trenz Electronic GmbH	
Page 10 of 17		Filename: <b>Flash_RAM.SchDoc</b>



Title: <b>TEI0009</b>		
A4	Number: <b>TEI0009 PHIQ2R</b>	Rev. <b>02</b>
Date: <b>2018-07-09</b>	Copyright: <b>Trenz Electronic GmbH / TT</b>	Page <b>11</b> of <b>17</b>
Filename: <b>IND_ETH-PHY.SchDoc</b>		



		Title: TEI0009	
		A4	Number: TEI0009 PHIQ2R
Date: 2018-07-09		Copyright: Trenz Electronic GmbH	
Page 12 of 17		Filename: ADC.SchDoc	

1

2

3

4

A

A

B

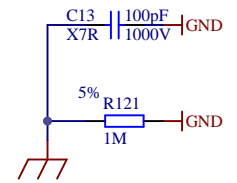
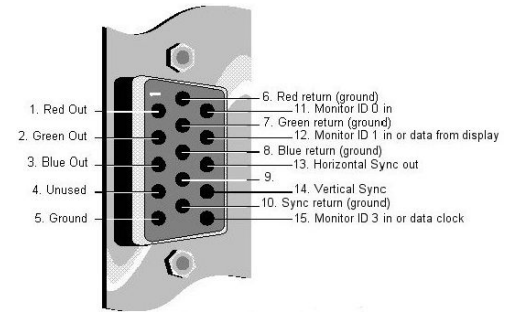
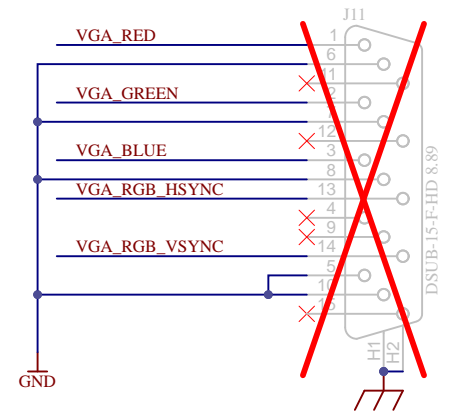
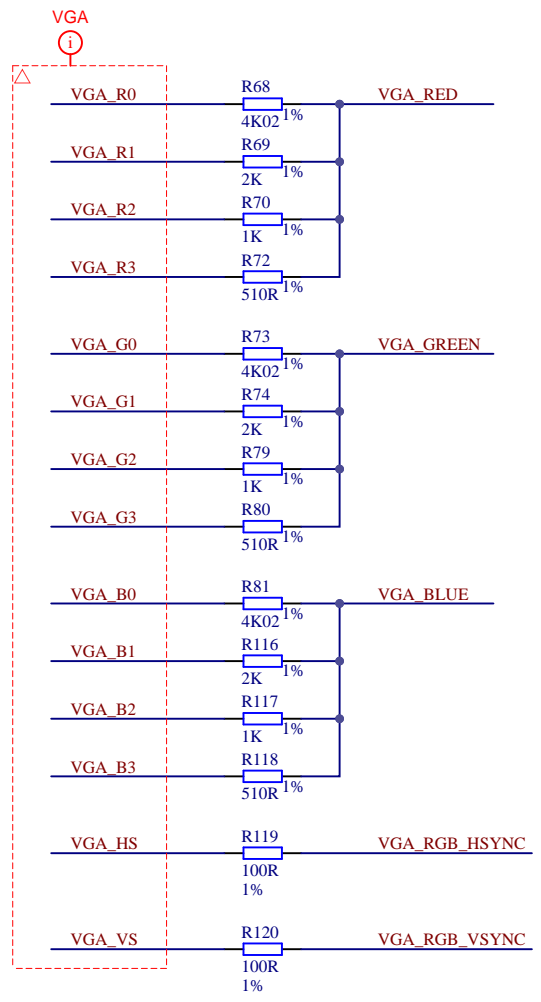
B

C

C

D

D



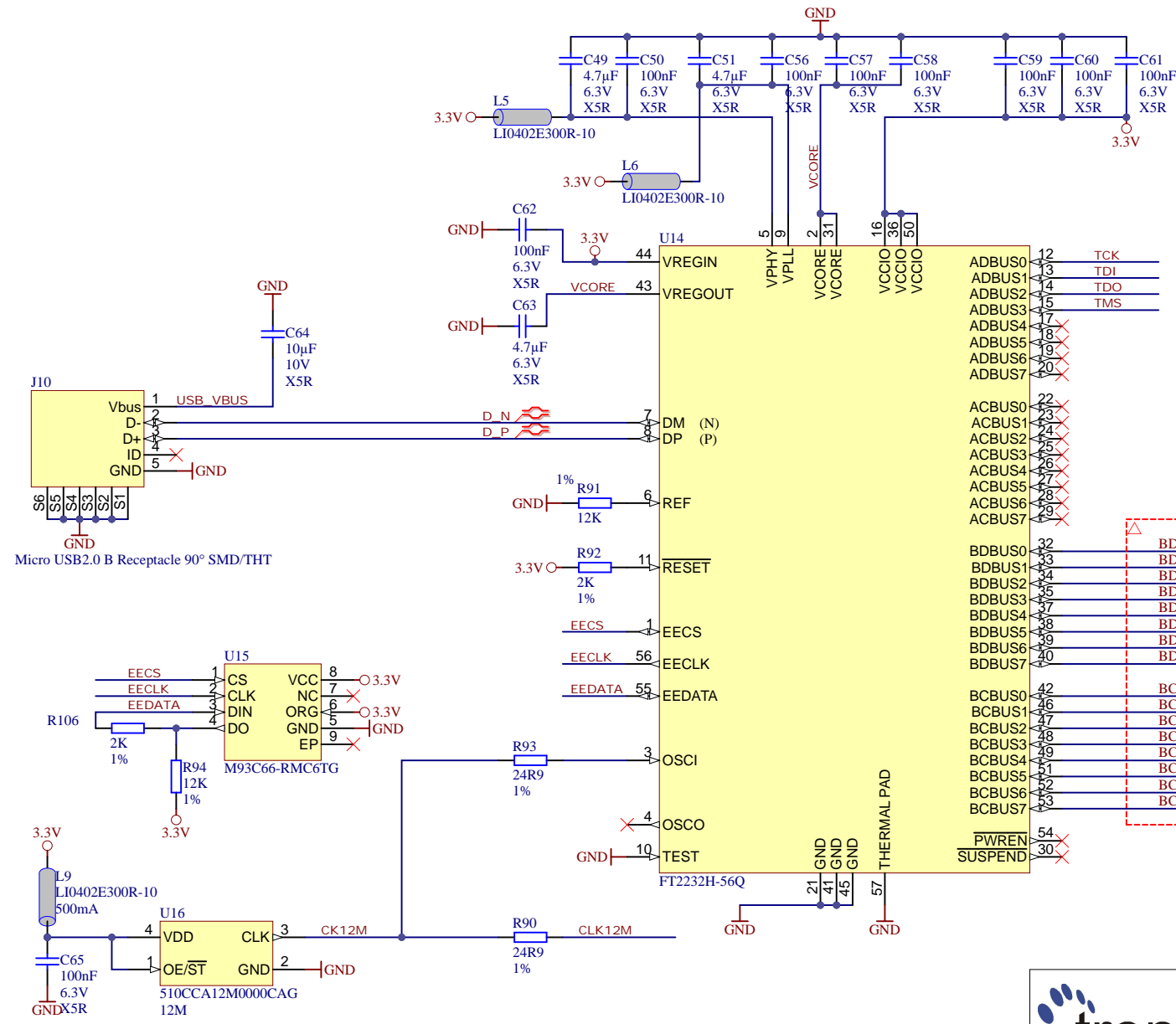
Title: <b>TEI0009</b>		
A4	Number: <b>TEI0009 PHIQ2R</b>	Rev. <b>02</b>
Date: <b>2018-07-09</b>	Copyright: <b>Trenz Electronic GmbH</b>	Page <b>13</b> of <b>17</b>
Filename: <b>VGA_OUT.SchDoc</b>		

1

2

3

4



Title: <b>TEI0009</b>		
A4	Number: <b>TEI0009 PHIQ2R</b>	Rev. <b>02</b>
Date: <b>2018-07-09</b>	Copyright: <b>Trenz Electronic GmbH</b>	
Page <b>14</b> of <b>17</b>		Filename: <b>FTDI.SchDoc</b>

1

2

3

4

A

A

B

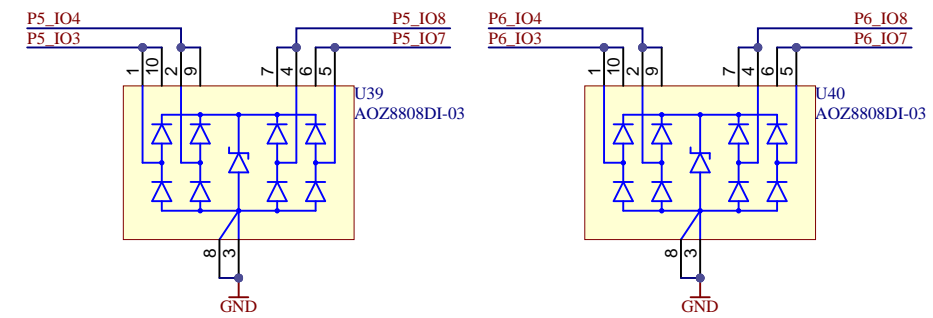
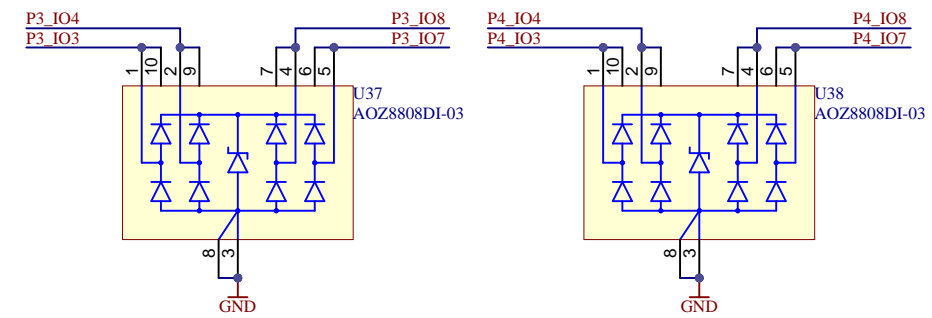
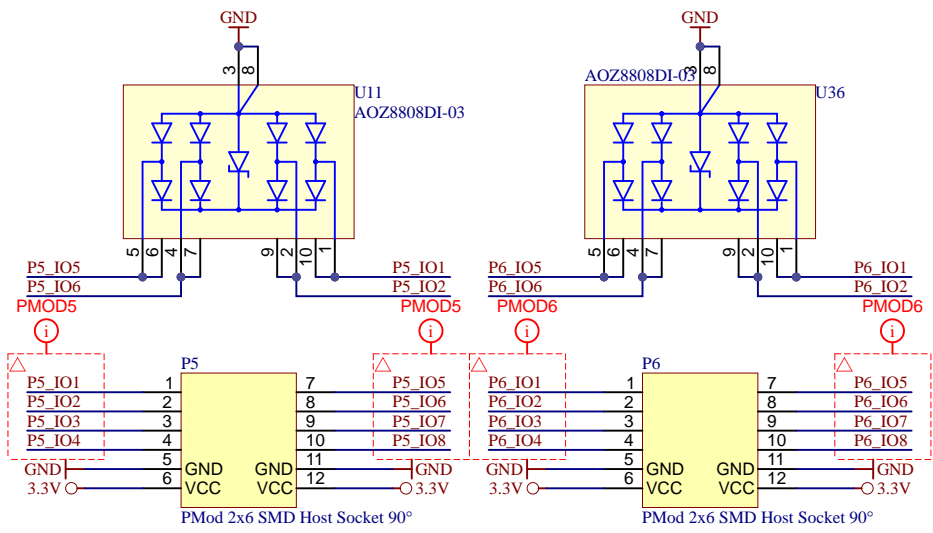
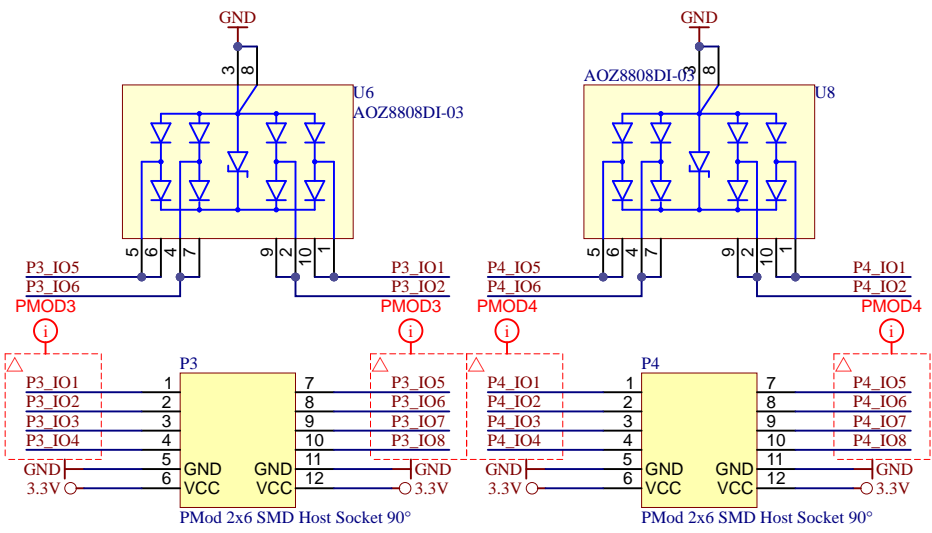
B

C

C

D

D



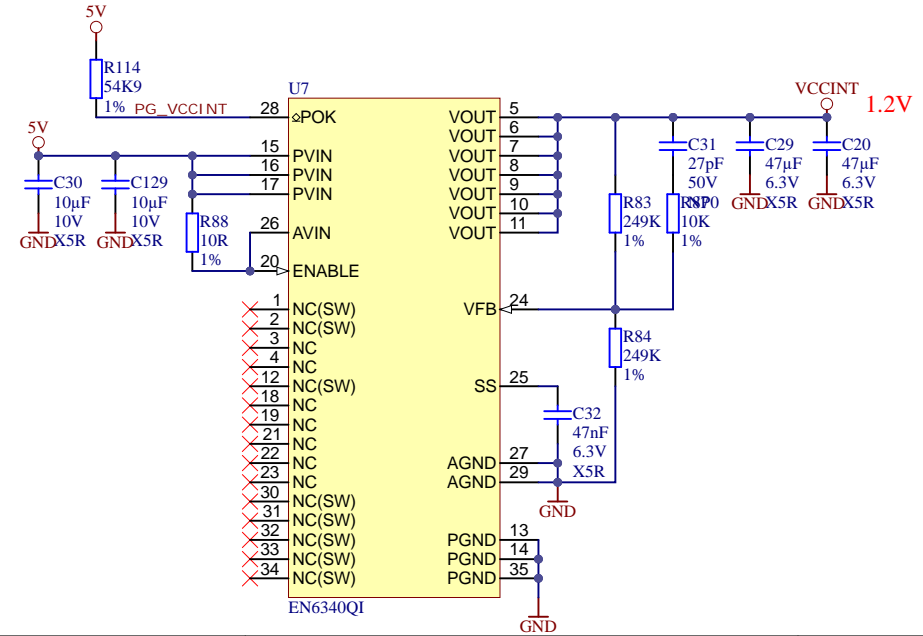
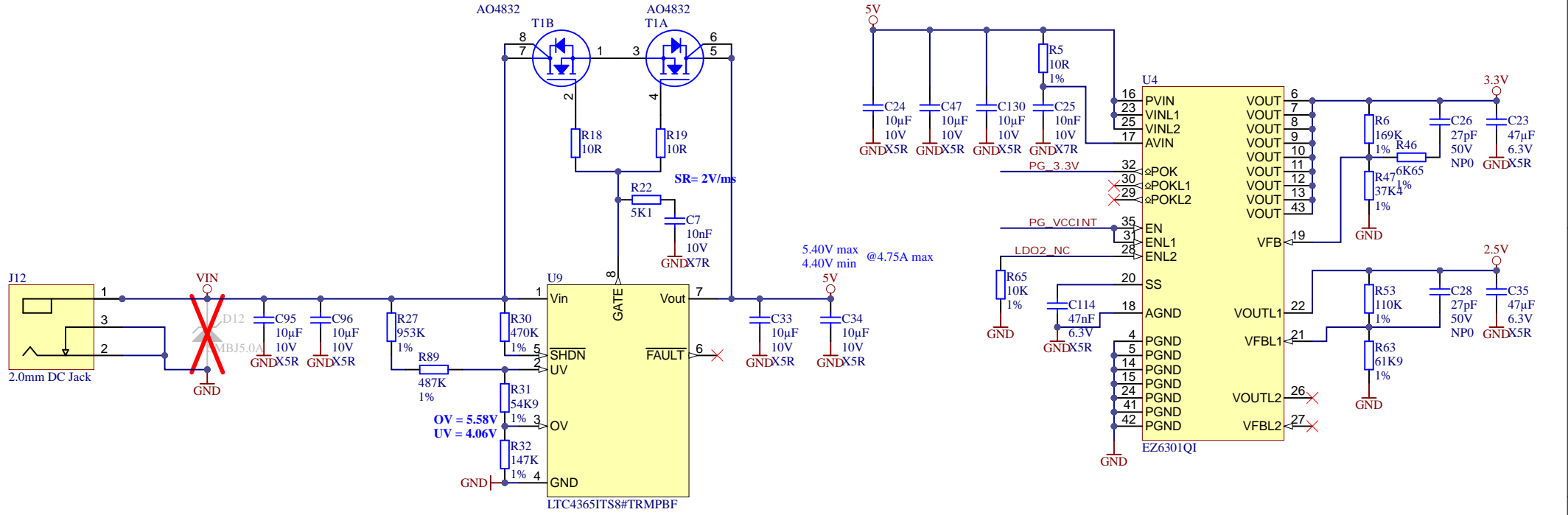
Title: <b>TEI0009</b>		
A4	Number: <b>TEI0009 PHIQ2R</b>	Rev. <b>02</b>
Date: <b>2018-07-09</b>	Copyright: <b>Trenz Electronic GmbH</b>	
Page <b>15</b> of <b>17</b>		Filename: <b>PMOD.SchDoc</b>

1

2

3

4



Title: <b>TEI0009</b>		
A4	Number: <b>TEI0009 PHIQ2R</b>	Rev. <b>02</b>
Date: <b>2018-07-09</b>	Copyright: Trenz Electronic GmbH	
Page 16 of 17		
Filename: <b>PowerSupply.SchDoc</b>		



1

2

3

4

REV01: Prototype only

REV02: Mass production

2019-08-30

1) Replaced R27 by 953k and R32 by 147k

A

A

B


B

C

C

D

D

	Title: <b>TEI0009</b>		
	A4	Number: <b>TEI0009 PHIQ2R</b>	Rev. <b>02</b>
	Date: <b>2018-07-09</b>	Copyright: <b>Trenz Electronic GmbH</b>	Page <b>17</b> of <b>17</b>
	Filename: <b>Revision_Changes.SchDoc</b>		

1

2

3

4