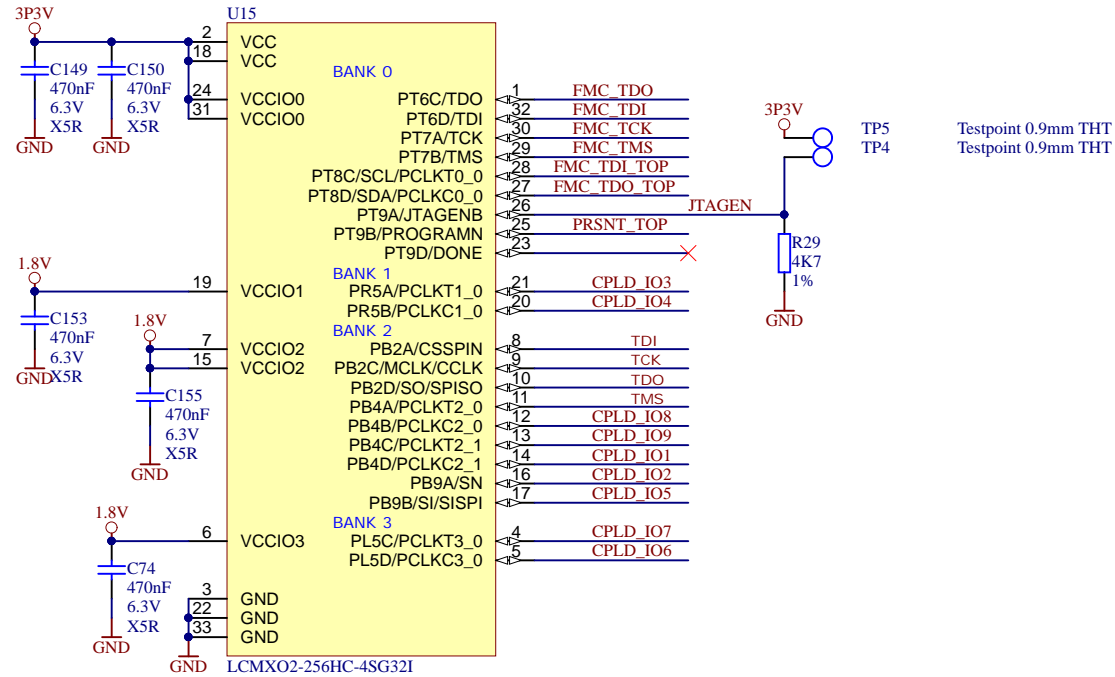
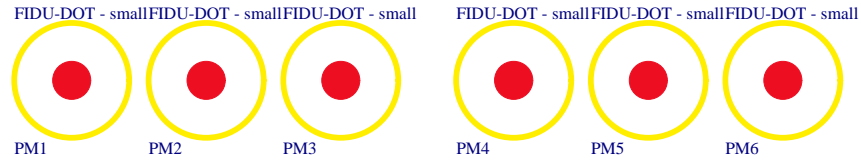
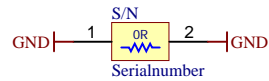


FMC	FMC.SchDoc
FMC_TOP	FMC_TOP.SchDoc
FRONT	FRONT.SchDoc
GMSL_A	GMSL_A.SchDoc
GMSL_B	GMSL_B.SchDoc
GMSL_C	GMSL_C.SchDoc
GMSL_D	GMSL_D.SchDoc
B13	B13.SchDoc
B16	B16.SchDoc
B34	B34.SchDoc
FPGA_MISC	FPGA_MISC.SchDoc
FPGA_MGT	FPGA_MGT.SchDoc
FPGA-PWR	FPGA-PWR.SchDoc
PWR	PWR.SchDoc
Clock	Clock.SchDoc



Serial  
Serial  
Serialnumber 6,3 x 6.3mm

LOGO1  
TE Logo PRINT Layer  
LOGO PRINT



Assembly variant	PROTO
Created by	VT
Modified by	VT
Modified at	2019-09-02
SVN Revision	8720

			Title: TEF0010	
			A4	Number: TEF0010 PROTO
Date: 2019-09-02	Copyright: Trenz Electronic GmbH / TT	Page 1 of 16		
Filename: TEF0010.SchDoc				

JIA					
MGT TX0 P	C6	DP0_M2C_P	DP0_C2M_P	C2	MGT RX0 P
MGT TX0 N	C7	DP0_M2C_N	DP0_C2M_N	C3	MGT RX0 N
MGT TX1 P	A2	DP1_M2C_P	DP1_C2M_P	A22	MGT RX1 P
MGT TX1 N	A3	DP1_M2C_N	DP1_C2M_N	A23	MGT RX1 N
MGT TX2 P	A6	DP2_M2C_P	DP2_C2M_P	A26	MGT RX2 P
MGT TX2 N	A7	DP2_M2C_N	DP2_C2M_N	A27	MGT RX2 N
MGT TX3 P	A10	DP3_M2C_P	DP3_C2M_P	A30	MGT RX3 P
MGT TX3 N	A11	DP3_M2C_N	DP3_C2M_N	A31	MGT RX3 N
MGT TX4 P	A14	DP4_M2C_P	DP4_C2M_P	A34	MGT RX4 P
MGT TX4 N	A15	DP4_M2C_N	DP4_C2M_N	A35	MGT RX4 N
MGT TX5 P	A18	DP5_M2C_P	DP5_C2M_P	A38	MGT RX5 P
MGT TX5 N	A19	DP5_M2C_N	DP5_C2M_N	A39	MGT RX5 N
MGT TX6 P	B16	DP6_M2C_P	DP6_C2M_P	B36	MGT RX6 P
MGT TX6 N	B17	DP6_M2C_N	DP6_C2M_N	B37	MGT RX6 N
MGT TX7 P	B12	DP7_M2C_P	DP7_C2M_P	B32	MGT RX7 P
MGT TX7 N	B8	DP7_M2C_N	DP7_C2M_N	B33	MGT RX7 N
MGT TX8 P	B9	DP8_M2C_P	DP8_C2M_P	B28	MGT RX8 P
MGT TX8 N	B9	DP8_M2C_N	DP8_C2M_N	B29	MGT RX8 N
MGT TX9 P	B4	DP9_M2C_P	DP9_C2M_P	B24	MGT RX9 P
MGT TX9 N	B5	DP9_M2C_N	DP9_C2M_N	B25	MGT RX9 N

ASP-134488-01, MC-HPC-10

FMC\_A\_LA

JIB					
A LA00 CC P	G6	LA00_P_CC	LA19_P	H22	A LA19 P
A LA00 CC N	G7	LA00_N_CC	LA19_N	H23	A LA19 N
A LA01 CC P	D8	LA01_P_CC	LA20_P	G21	A LA20 P
A LA01 CC N	D9	LA01_N_CC	LA20_N	G22	A LA20 N
A LA02 P	H7	LA02_P	LA21_P	H25	A LA21 P
A LA02 N	H8	LA02_N	LA21_N	H26	A LA21 N
A LA03 P	G9	LA03_P	LA22_P	G24	A LA22 P
A LA03 N	G10	LA03_N	LA22_N	G25	A LA22 N
A LA04 P	H10	LA04_P	LA23_P	H23	A LA23 P
A LA04 N	H11	LA04_N	LA23_N	H24	A LA23 N
A LA05 P	D11	LA05_P	LA24_P	H28	A LA24 P
A LA05 N	D12	LA05_N	LA24_N	H29	A LA24 N
A LA06 P	C10	LA06_P	LA25_P	G27	A LA25 P
A LA06 N	C11	LA06_N	LA25_N	G28	A LA25 N
A LA07 P	H13	LA07_P	LA26_P	D26	A LA26 P
A LA07 N	H14	LA07_N	LA26_N	D27	A LA26 N
A LA08 P	G12	LA08_P	LA27_P	C26	A LA27 P
A LA08 N	G13	LA08_N	LA27_N	C27	A LA27 N
A LA09 P	D14	LA09_P	LA28_P	H31	A LA28 P
A LA09 N	D15	LA09_N	LA28_N	H32	A LA28 N
A LA10 P	C17	LA10_P	LA29_P	G30	A LA29 P
A LA10 N	C15	LA10_N	LA29_N	G31	A LA29 N
A LA11 P	H16	LA11_P	LA30_P	H34	A LA30 P
A LA11 N	H17	LA11_N	LA30_N	H35	A LA30 N
A LA12 P	G15	LA12_P	LA31_P	G33	A LA31 P
A LA12 N	G16	LA12_N	LA31_N	G34	A LA31 N
A LA13 P	D17	LA13_P	LA32_P	H37	A LA32 P
A LA13 N	D18	LA13_N	LA32_N	H38	A LA32 N
A LA14 P	C18	LA14_P	LA33_P	G36	A LA33 P
A LA14 N	C19	LA14_N	LA33_N	G37	A LA33 N
A LA15 P	H19	LA15_P			
A LA15 N	H20	LA15_N			
A LA16 P	G18	LA16_P			
A LA16 N	G19	LA16_N			
A LA17 CC P	D20	LA17_P_CC			
A LA17 CC N	D21	LA17_N_CC			
A LA18 CC P	C22	LA18_P_CC			
A LA18 CC N	C23	LA18_N_CC			

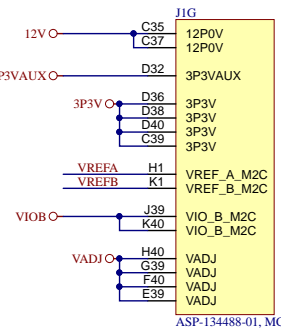
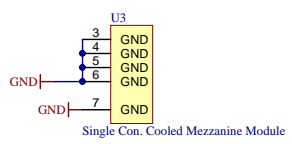
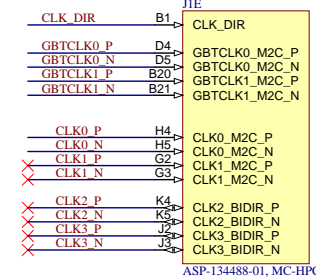
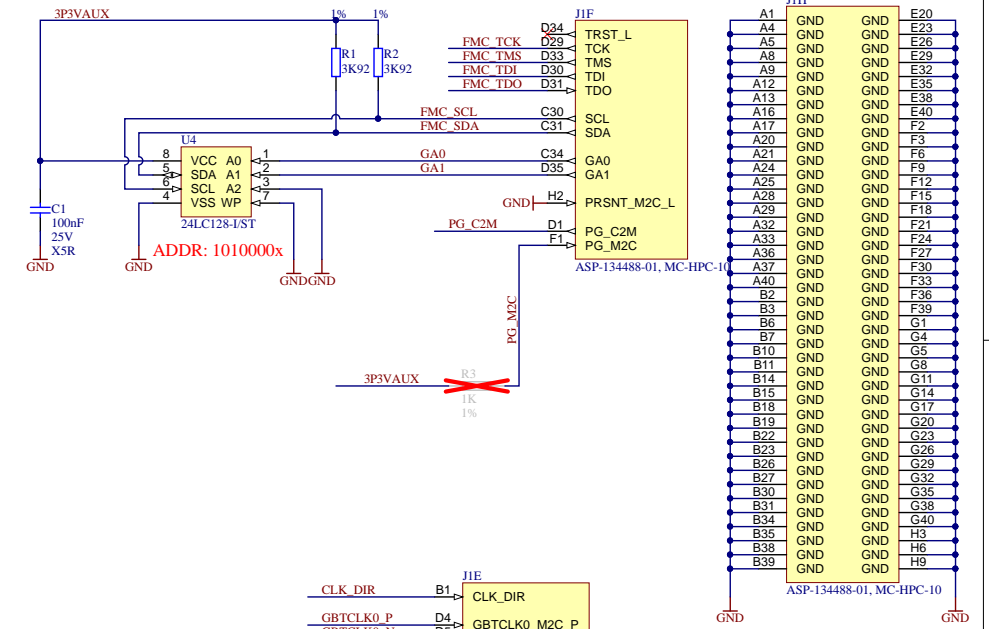
ASP-134488-01, MC-HPC-10

JIC					
HA00 P	F4	HA00_P_CC	HA13_P	E12	HA13 P
HA00 N	F5	HA00_N_CC	HA13_N	E13	HA13 N
HA01 P	E9	HA01_P_CC	HA14_P	E15	HA14 P
HA01 N	E8	HA01_N_CC	HA14_N	E16	HA14 N
HA02 P	K3	HA02_P	HA15_P	E16	HA15 P
HA02 N	K8	HA02_N	HA15_N	E17	HA15 N
HA03 P	J6	HA03_P	HA16_P	E15	HA16 P
HA03 N	F10	HA03_N	HA16_N	E16	HA16 N
HA04 P	F7	HA04_P	HA17_P_CC	K17	HA17 N
HA04 N	F8	HA04_N	HA17_N_CC	K18	HA18 P
HA05 P	E6	HA05_P	HA18_P	E19	HA18 N
HA05 N	E6	HA05_N	HA18_N	E19	HA19 P
HA06 P	K11	HA06_P	HA19_P	E20	HA19 N
HA06 N	K11	HA06_N	HA19_N	E20	HA20 P
HA07 P	J10	HA07_P	HA20_P	E18	HA20 N
HA07 N	J10	HA07_N	HA20_N	E19	HA21 P
HA08 P	F14	HA08_P	HA21_P	E19	HA21 N
HA08 N	F14	HA08_N	HA21_N	E20	HA22 P
HA09 P	E10	HA09_P	HA22_P	E21	HA22 N
HA09 N	E10	HA09_N	HA22_N	E22	HA23 P
HA10 P	K13	HA10_P	HA23_P	E22	HA23 N
HA10 N	K13	HA10_N	HA23_N	E23	
HA11 P	J11	HA11_P			
HA11 N	J11	HA11_N			
HA12 P	F13	HA12_P			
HA12 N	F13	HA12_N			

ASP-134488-01, MC-HPC-10

JID					
HB00 P	K25	HB00_P_CC	HB13_P	E30	HB13 P
HB00 N	K26	HB00_N_CC	HB13_N	E31	HB13 N
HB01 P	J24	HB01_P	HB14_P	E34	HB14 P
HB01 N	J24	HB01_N	HB14_N	E35	HB14 N
HB02 P	F29	HB02_P	HB15_P	E33	HB15 P
HB02 N	F29	HB02_N	HB15_N	E34	HB15 N
HB03 P	E21	HB03_P	HB16_P	E34	HB16 P
HB03 N	E22	HB03_N	HB16_N	E35	HB16 N
HB04 P	F28	HB04_P	HB17_P_CC	E37	HB17 P
HB04 N	F28	HB04_N	HB17_N_CC	E38	HB18 P
HB05 P	E24	HB05_P	HB18_P	E38	HB18 N
HB05 N	E24	HB05_N	HB18_N	E37	HB19 P
HB06 P	K28	HB06_P_CC	HB19_P	E33	HB19 N
HB06 N	K29	HB06_N_CC	HB19_N	E34	HB20 P
HB07 P	J21	HB07_P	HB20_P	E37	HB20 N
HB07 N	J21	HB07_N	HB20_N	E38	HB21 P
HB08 P	F28	HB08_P	HB21_P	E36	HB21 N
HB08 N	F28	HB08_N	HB21_N	E37	
HB09 P	E27	HB09_P			
HB09 N	E27	HB09_N			
HB10 P	K31	HB10_P			
HB10 N	K31	HB10_N			
HB11 P	J30	HB11_P			
HB11 N	J30	HB11_N			
HB12 P	F31	HB12_P			
HB12 N	F31	HB12_N			

ASP-134488-01, MC-HPC-10



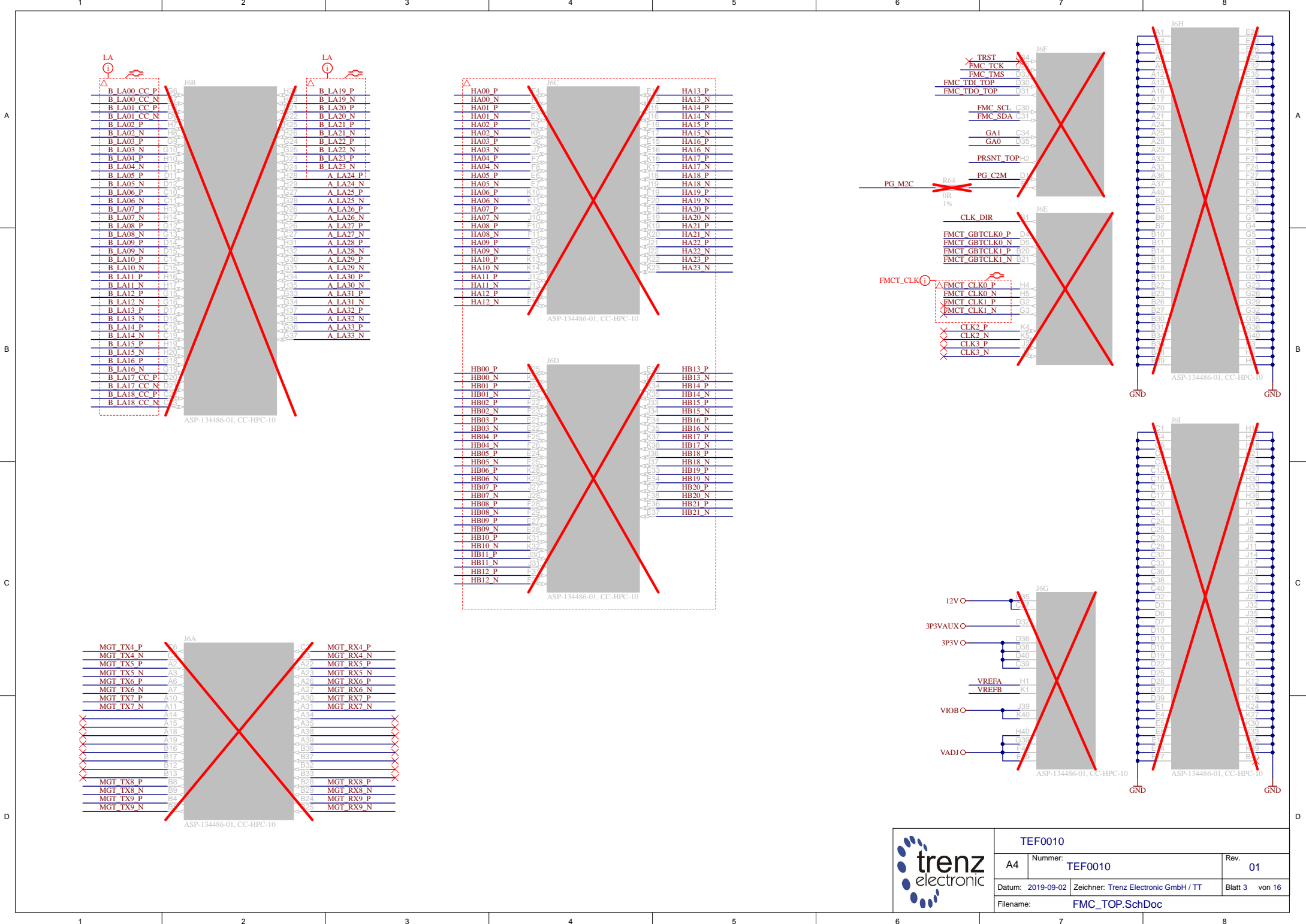
JII			
C4	GND	H12	GND
C5	GND	H15	GND
C6	GND	H18	GND
C9	GND	H21	GND
C12	GND	H27	GND
C13	GND	H30	GND
C16	GND	H33	GND
C17	GND	H36	GND
C20	GND	H39	GND
C21	GND	J1	GND
C24	GND	J4	GND
C25	GND	J5	GND
C28	GND	J8	GND
C29	GND	J11	GND
C32	GND	J14	GND
C33	GND	J17	GND
C36	GND	J20	GND
C38	GND	J23	GND
C40	GND	J26	GND
D2	GND	J29	GND
D3	GND	J32	GND
D6	GND	J35	GND
D7	GND	J38	GND
D10	GND	J40	GND
D13	GND	K2	GND
D16	GND	K3	GND
D19	GND	K6	GND
D22	GND	K9	GND
D25	GND	K21	GND
D28	GND	K12	GND
D37	GND	K15	GND
D39	GND	K18	GND
E1	GND	K24	GND
E4	GND	K27	GND
E5	GND	K30	GND
E8	GND	K33	GND
E11	GND	K36	GND
E14	GND	K39	GND
E17	GND	K40	GND
	GND	NC(RESO)	GND

ASP-134488-01, MC-HPC-10

trenz electronic

Title: TEF0010

A4	Nummer: TEF0010	Rev. 01
Datum: 2019-09-02	Zeichner: Trenz Electronic GmbH / TT	Blatt 2 von 16
Filename: FMC.SchDoc		



TEF0010		
A4	Nummer: TEF0010	Rev. 01
Datum: 2019-09-02	Zeichner: Trenz Electronic GmbH / TT	Blatt 3 von 16
Filename: FMC_TOP.SchDoc		

1

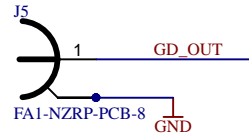
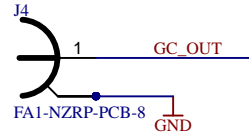
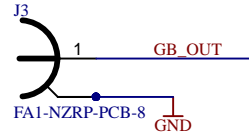
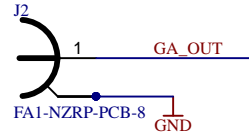
2

3

4

A

A



B

B

C

C

D

D

1

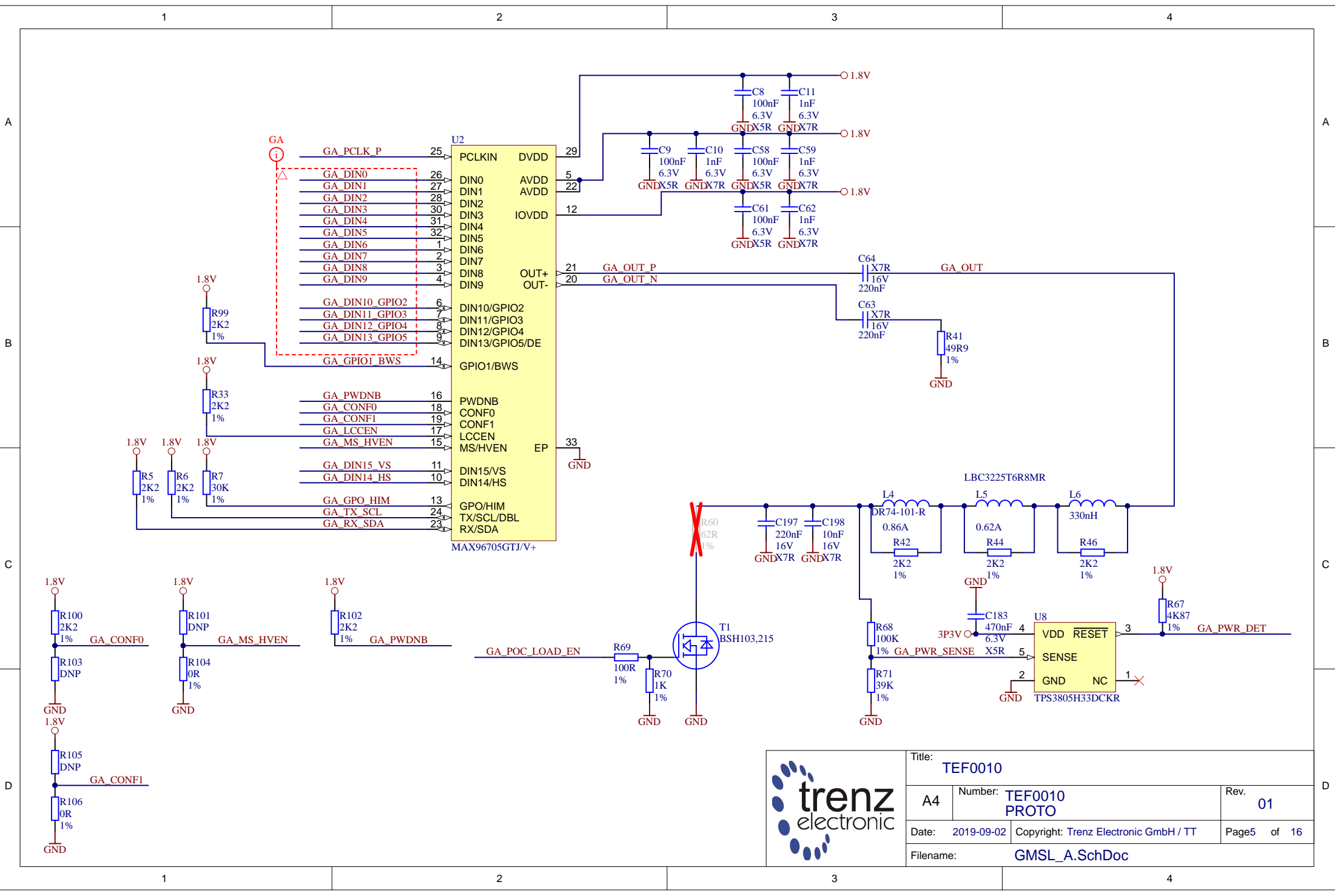
2

3

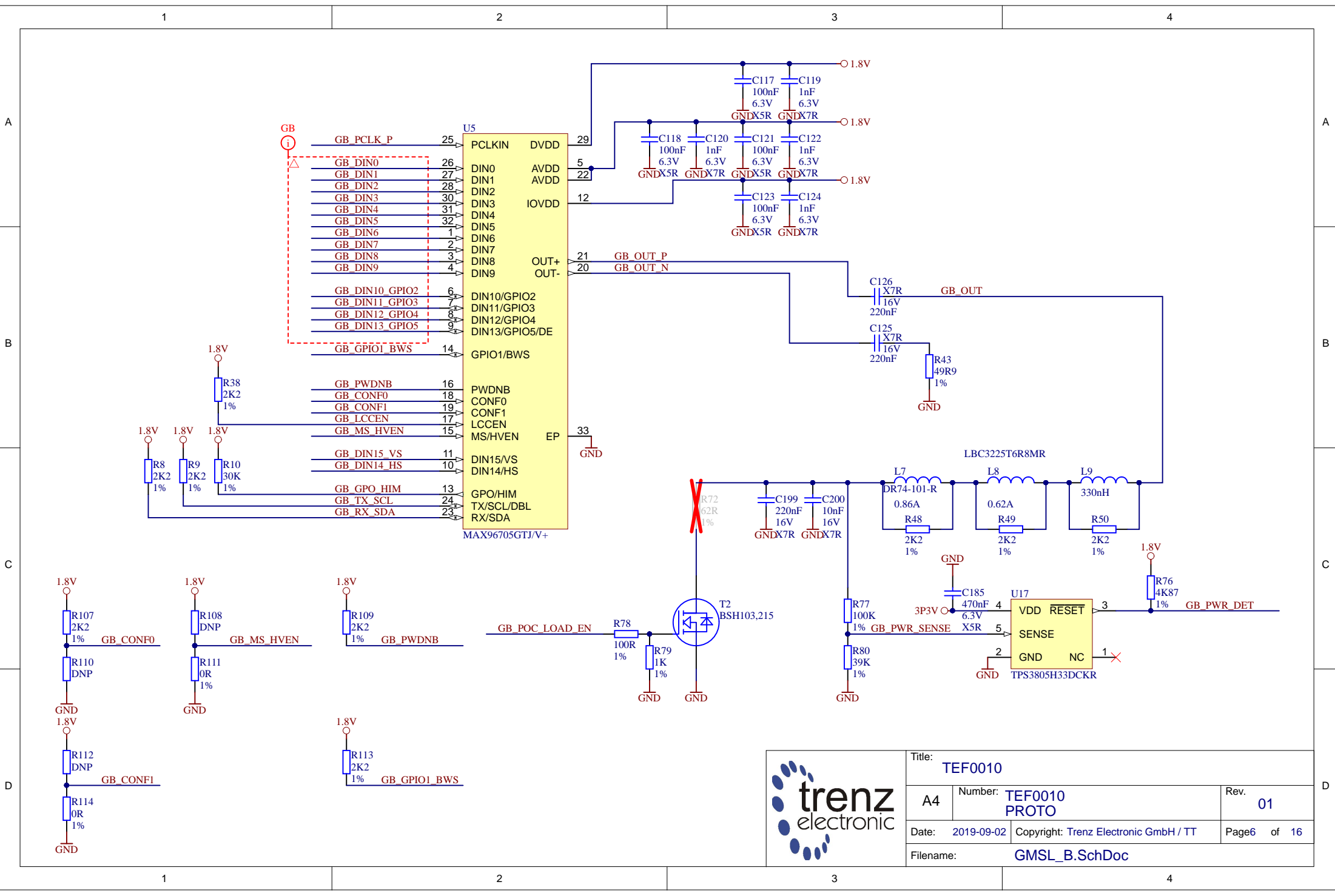
4



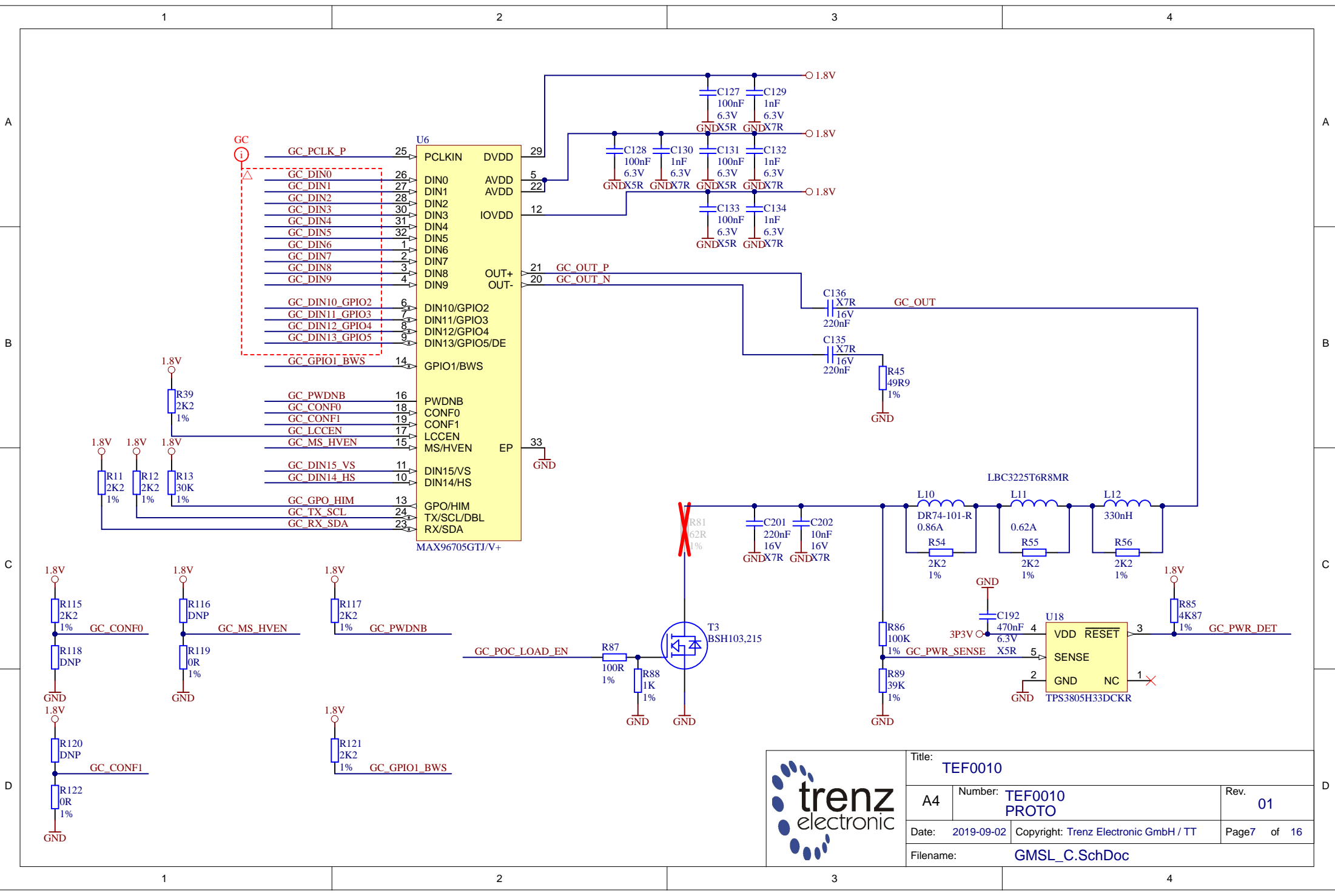
Title: <b>TEF0010</b>		
A4	Number: <b>TEF0010 PROTO</b>	Rev. <b>01</b>
Date: <b>2019-09-02</b>	Copyright: <b>Trenz Electronic GmbH / TT</b>	Page <b>4</b> of <b>16</b>
Filename: <b>FRONT.SchDoc</b>		




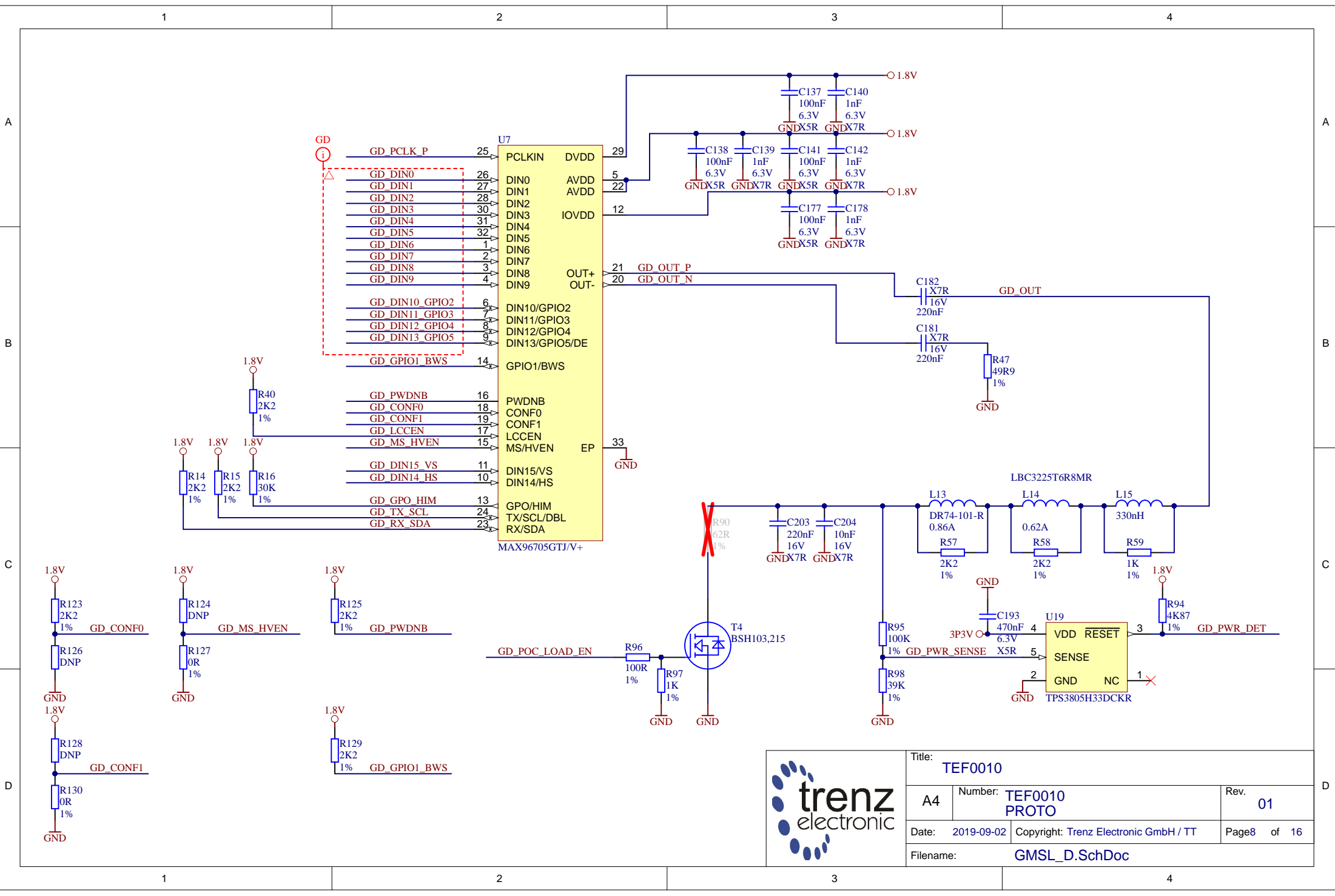
Title: TEF0010		
A4	Number: TEF0010 PROTO	Rev. 01
Date: 2019-09-02	Copyright: Trenz Electronic GmbH / TT	Page5 of 16
Filename: GMSL_A.SchDoc		




Title: TEF0010		
A4	Number: TEF0010 PROTO	Rev. 01
Date: 2019-09-02	Copyright: Trenz Electronic GmbH / TT	Page6 of 16
Filename: GMSL_B.SchDoc		



			Title: TEF0010	
			A4	Number: TEF0010 PROTO
Date: 2019-09-02		Copyright: Trenz Electronic GmbH / TT		Page 7 of 16
Filename: GMSL_C.SchDoc				



			Title: TEF0010	
			A4	Number: TEF0010 PROTO
Date: 2019-09-02		Copyright: Trenz Electronic GmbH / TT		Page8 of 16
Filename: GMSL_D.SchDoc				



A

A

B

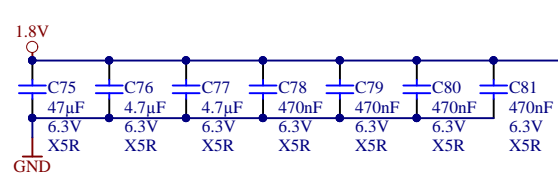
B

C

C

D

D

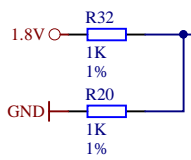


UIB

BANK 14

M14	VCCO_14	IO_L10P_T1_D14_14	AB21	GB_DIN12_GPIO4
F18	VCCO_14	IO_L10N_T1_D15_14	AB22	GB_DIN14_HS
F15	VCCO_14	IO_L11P_T1_SRCC_14	U20	GB_PCLK_P
T22	VCCO_14	IO_L11N_T1_SRCC_14	V20	
U19	VCCO_14	IO_L12P_T1_MRCC_14	W19	GB_DIN0
Y20	VCCO_14	IO_L12N_T1_MRCC_14	W20	GB_GPIO1_BWS
		IO_L13P_T2_MRCC_14	Y18	GB_DIN8
		IO_L13N_T2_MRCC_14	Y19	GB_DIN10_GPIO2
		IO_L14P_T2_SRCC_14	V18	GB_DIN1
		IO_L14N_T2_SRCC_14	V19	
		IO_L15P_T2_DQS_RDWR_B_14	AA19	GB_DIN9
		IO_L15N_T2_DQS_DOUT_CSO_B_14	AB20	GB_DIN11_GPIO3
		IO_L16P_T2_CSI_B_14	V17	GB_DIN2
		IO_L16N_T2_A15_D31_14	W17	GB_DIN3
		IO_L17P_T2_A14_D30_14	AA18	GB_DIN7
		IO_L17N_T2_A13_D29_14	AB18	GB_DIN6
		IO_L18P_T2_A12_D28_14	U17	GB_POC_LOAD_EN
		IO_L18N_T2_A11_D27_14	U18	GB_DIN4
		IO_L19P_T3_A10_D26_14	P14	
		IO_L19N_T3_A09_D25_VREF_14	R14	
		IO_L20P_T3_A08_D24_14	R18	
		IO_L20N_T3_A07_D23_14	T18	GB_DIN5
		IO_L21P_T3_DQS_14	N17	
		IO_L21N_T3_DQS_A06_D22_14	P17	
		IO_L22P_T3_A05_D21_14	P15	GB_TX_SCL
		IO_L22N_T3_A04_D20_14	R16	GB_PWR_DET
		IO_L23P_T3_A03_D19_14	N13	
		IO_L23N_T3_A02_D18_14	N14	
		IO_L24P_T3_A01_D17_14	P16	
		IO_L24N_T3_A00_D16_14	R17	

XC7A100T-1FGG484I



- SPI-DQ0
- SPI-DQ1
- SPI-DQ2
- SPI-DQ3

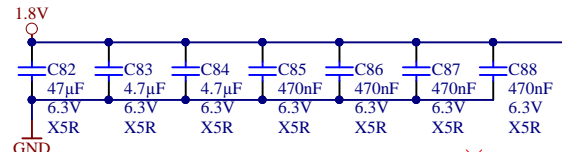
- GB\_CONF0
- GB\_CONF1
- GB\_RX\_SDA
- GB\_PWDNB
- GB\_LCCEN
- GB\_DIN15\_VS
- GB\_DIN13\_GPIO5
- GB\_GPO\_HIM
- GB\_MS\_HVEN

UIA

BANK 13

Y16	VCCO_13	IO_L7P_T1_13	AB11	GC_DIN11_GPIO3
W13	VCCO_13	IO_L7N_T1_13	AB12	GC_DIN15_VS
Y10	VCCO_13	IO_L8P_T1_13	AA9	GC_DIN8
AA17	VCCO_13	IO_L8N_T1_13	AB10	GC_DIN9
AB14	VCCO_13	IO_L9P_T1_DQS_13	AA10	GC_DIN7
		IO_L9N_T1_DQS_13	AA11	GC_DIN12_GPIO4
		IO_L10P_T1_13	V10	GC_DIN6
		IO_L10N_T1_13	W10	GC_PWR_DET
		IO_L11P_T1_SRCC_13	Y11	GC_DIN10_GPIO2
		IO_L11N_T1_SRCC_13	Y12	GC_DIN5
		IO_L12P_T1_MRCC_13	W11	GC_PCLK_P
		IO_L12N_T1_MRCC_13	W12	GC_POC_LOAD_EN
		IO_L13P_T2_MRCC_13	V13	GC_DIN3
		IO_L13N_T2_MRCC_13	V14	CPLD_IO6
		IO_L14P_T2_SRCC_13	U15	CPLD_IO7
		IO_L14N_T2_SRCC_13	V15	GC_TX_SCL
		IO_L15P_T2_DQS_13	V14	CPLD_IO8
		IO_L15N_T2_DQS_13	T15	CPLD_IO9
		IO_L16P_T2_13	W15	
		IO_L16N_T2_13	W16	
		IO_L17P_T2_13	T16	GC_DIN0
		IO_L17N_T2_13	U16	GC_DIN2

XC7A100T-1FGG484I



- GC\_CONF0
- GC\_LCCEN
- GC\_PWDNB
- GC\_CONF1
- GC\_DIN13\_GPIO5
- GC\_DIN14\_HS
- GC\_MS\_HVEN
- GC\_GPIO1\_BWS
- GC\_DIN1
- GC\_GPO\_HIM
- GC\_DIN4
- GC\_RX\_SDA



Title: TEF0010		
A4	Number: TEF0010 PROTO	Rev. 01
Date: 2019-09-02	Copyright: Trenz Electronic GmbH	Page9 of 16
Filename: B13.SchDoc		

A

B

C

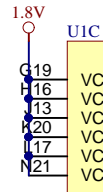
D

A

B

C

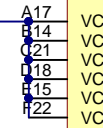
D



G19	VCCO_15	IO_L10P_T1_AD11P_15	M21	GA_DIN3
H16	VCCO_15	IO_L10N_T1_AD11N_15	E21	GA_DIN14_HS
K13	VCCO_15	IO_L11P_T1_SRCC_15	J20	GA_PCLK_P
K20	VCCO_15	IO_L11N_T1_SRCC_15	J21	GA_GPIO1_BWS
L17	VCCO_15	IO_L12P_T1_MRCC_15	J19	GA_PWDNB
N21	VCCO_15	IO_L12N_T1_MRCC_15	K18	GA_DIN7
		IO_L13P_T2_MRCC_15	K19	GA_DIN12_GPIO4
		IO_L13N_T2_MRCC_15	L19	GA_DIN15_VS
J16	IO_0_15	IO_L14P_T2_SRCC_15	L20	GA_POCLD_LOAD_EN
		IO_L14N_T2_SRCC_15	N22	GA_DIN2
M17	IO_25_15	IO_L15P_T2_DQS_15	M22	GA_DIN4
		IO_L15N_T2_DQS_ADV_B_15	L18	GA_RX_SDA
		IO_L16P_T2_A28_15	N18	GA_PWR_DET
CPLD_IO1	H13	IO_L16N_T2_A27_15	N19	GA_DIN1
CPLD_IO2	G13	IO_L17P_T2_A26_15	N20	GA_DIN5
CPLD_IO3	G15	IO_L17N_T2_A25_15	M20	GA_DIN11_GPIO3
CPLD_IO4	G16	IO_L18P_T2_A24_15	K14	IO_L19N_T3_A21_VREF_15
CPLD_IO5	J14	IO_L18N_T2_A23_15	M13	IO_L20P_T3_A20_15
GA_CONF1	H14	IO_L19P_T3_A22_15	L13	IO_L20N_T3_A19_15
GA_CONF0	G17	IO_L20P_T3_A20_15	K17	IO_L21P_T3_DQS_15
GA_DIN0	G18	IO_L20N_T3_A19_15	J17	IO_L21N_T3_DQS_A18_15
		IO_L21P_T3_DQS_15	L14	IO_L22P_T3_A17_15
GA_MS_HVEN	H15	IO_L21N_T3_DQS_A18_15	L15	IO_L22N_T3_A16_15
GA_LCCEN	H17	IO_L22P_T3_A17_15	L16	IO_L23P_T3_FOE_B_15
		IO_L22N_T3_A16_15	K16	IO_L23N_T3_FWE_B_15
		IO_L23P_T3_FOE_B_15	M15	IO_L24P_T3_RS1_15
GA_DIN13_GPIO5	H20	IO_L23N_T3_FWE_B_15	M16	IO_L24N_T3_RS0_15
GA_GPO_HIM	G20	IO_L24P_T3_RS1_15		
	K21	IO_L24N_T3_RS0_15		
	K22			

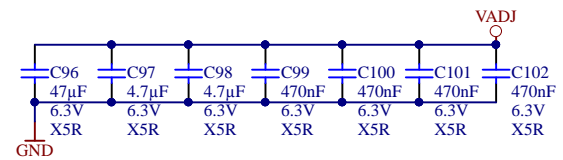
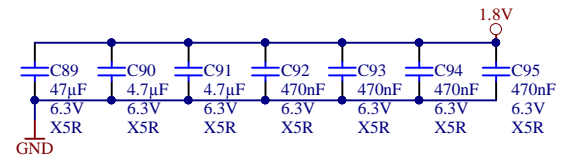
XC7A100T-1FGG484I

UID

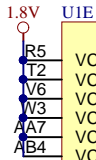


A17	VCCO_16	IO_L10P_T1_16	A13	A_LA22_N
B14	VCCO_16	IO_L10N_T1_16	A14	A_LA22_P
C21	VCCO_16	IO_L11P_T1_SRCC_16	B17	A_LA13_N
D18	VCCO_16	IO_L11N_T1_SRCC_16	B18	A_LA13_P
E15	VCCO_16	IO_L12P_T1_MRCC_16	D17	A_LA10_P
F22	VCCO_16	IO_L12N_T1_MRCC_16	C17	A_LA10_N
		IO_L13P_T2_MRCC_16	C18	A_LA12_N
		IO_L13N_T2_MRCC_16	C19	A_LA12_P
F15	IO_0_16	IO_L14P_T2_SRCC_16	E19	A_LA06_P
		IO_L14N_T2_SRCC_16	D19	A_LA06_N
F21	IO_25_16	IO_L15P_T2_DQS_16	F18	A_LA03_P
		IO_L15N_T2_DQS_16	E18	A_LA03_N
		IO_L16P_T2_16	B20	A_LA09_P
A_LA18_CC_P	F13	IO_L16N_T2_16	A20	A_LA09_N
A_LA18_CC_N	F14	IO_L17P_T2_16	A18	A_LA11_N
A_LA17_CC_P	F16	IO_L17N_T2_16	A19	A_LA11_P
A_LA17_CC_N	E17	IO_L18P_T2_16	F19	A_LA01_CC_P
A_LA23_N	C14	IO_L18N_T2_16	F20	A_LA01_CC_N
A_LA23_P	C15	IO_L19P_T3_16	D20	A_LA00_CC_P
A_LA19_N	E13	IO_L19N_T3_16	C20	A_LA00_CC_N
A_LA19_P	E14	IO_L20P_T3_16	C22	A_LA08_P
A_LA14_N	E16	IO_L20N_T3_16	B22	A_LA08_N
A_LA14_P	D16	IO_L21P_T3_DQS_16	B21	A_LA07_P
A_LA20_N	D14	IO_L21N_T3_DQS_16	A21	A_LA07_N
A_LA20_P	D15	IO_L22P_T3_16	E22	A_LA04_P
A_LA16_N	B15	IO_L22N_T3_16	D22	A_LA04_N
A_LA16_P	B16	IO_L23P_T3_16	E21	A_LA05_P
A_LA21_N	C13	IO_L23N_T3_16	G21	A_LA05_N
A_LA21_P	B13	IO_L24P_T3_16	G21	A_LA02_P
A_LA15_N	A15	IO_L24N_T3_16	G22	A_LA02_N
A_LA15_P	A16			

XC7A100T-1FGG484I



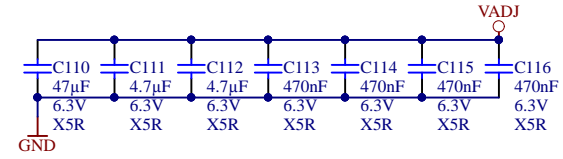
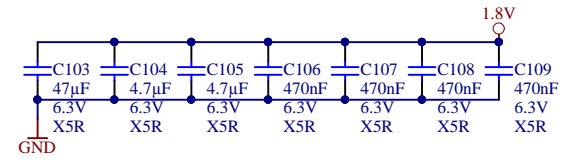
Title: TEF0010		
A4	Number: TEF0010 PROTO	Rev. 01
Date: 2019-09-02	Copyright: Trenz Electronic GmbH	Page10 of 16
Filename: B16.SchDoc		



BANK 34	
VCCO_34	IO_L10P_T1_34
VCCO_34	IO_L10N_T1_34
VCCO_34	IO_L11P_T1_SRCC_34
VCCO_34	IO_L11N_T1_SRCC_34
VCCO_34	IO_L12P_T1_MRCC_34
VCCO_34	IO_L12N_T1_MRCC_34
VCCO_34	IO_L13P_T2_MRCC_34
VCCO_34	IO_L13N_T2_MRCC_34
VCCO_34	IO_L14P_T2_SRCC_34
VCCO_34	IO_L14N_T2_SRCC_34
VCCO_34	IO_L15P_T2_DQS_34
VCCO_34	IO_L15N_T2_DQS_34
VCCO_34	IO_L16P_T2_34
VCCO_34	IO_L16N_T2_34
VCCO_34	IO_L17P_T2_34
VCCO_34	IO_L17N_T2_34
VCCO_34	IO_L18P_T2_34
VCCO_34	IO_L18N_T2_34
VCCO_34	IO_L19P_T3_34
VCCO_34	IO_L19N_T3_VREF_34
VCCO_34	IO_L20P_T3_34
VCCO_34	IO_L20N_T3_34
VCCO_34	IO_L21P_T3_DQS_34
VCCO_34	IO_L21N_T3_DQS_34
VCCO_34	IO_L22P_T3_34
VCCO_34	IO_L22N_T3_34
VCCO_34	IO_L23P_T3_34
VCCO_34	IO_L23N_T3_34
VCCO_34	IO_L24P_T3_34
VCCO_34	IO_L24N_T3_34

AA5	GD_MS_HVEN
AB5	GD_PWDNB
Y4	GD_GPO_HIM
AA4	GD_GPIO1_BWS
V4	GD_CONFI
W4	GD_PCLK_P
R4	GD_DIN2
T4	GD_DIN1
U5	GD_RX_SDA
W6	GD_DIN0
U5	GD_PWR_DET
R6	GD_POC_LOAD_EN
T6	GD_LCCEN
Y6	
AA6	
V7	
W7	
AB7	
AB6	
V9	
V8	
AA8	
AB8	
V8	
Y7	
W9	
Y9	

XC7A100T-IFGG484I



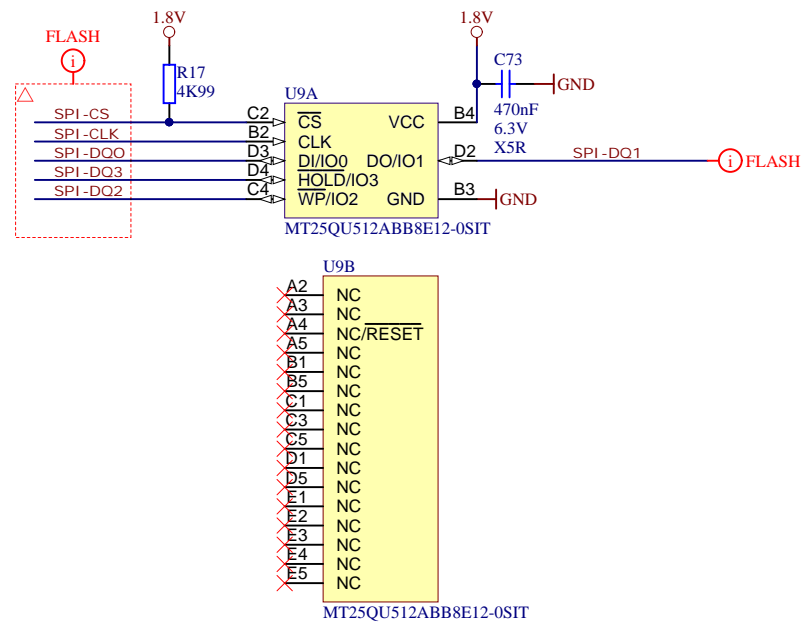
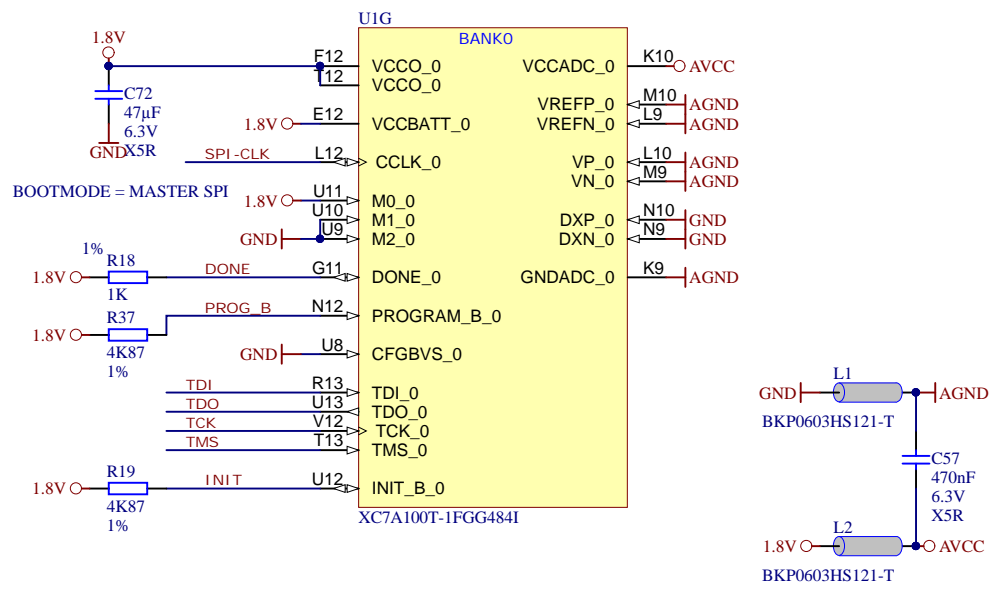
BANK 35	
VCCO_35	IO_L10P_T1_AD15P_35
VCCO_35	IO_L10N_T1_AD15N_35
VCCO_35	IO_L11P_T1_SRCC_35
VCCO_35	IO_L11N_T1_SRCC_35
VCCO_35	IO_L12P_T1_MRCC_35
VCCO_35	IO_L12N_T1_MRCC_35
VCCO_35	IO_L13P_T2_MRCC_35
VCCO_35	IO_L13N_T2_MRCC_35
VCCO_35	IO_L14P_T2_SRCC_35
VCCO_35	IO_L14N_T2_SRCC_35
VCCO_35	IO_L15P_T2_DQS_35
VCCO_35	IO_L15N_T2_DQS_35
VCCO_35	IO_L16P_T2_35
VCCO_35	IO_L16N_T2_35
VCCO_35	IO_L17P_T2_35
VCCO_35	IO_L17N_T2_35
VCCO_35	IO_L18P_T2_35
VCCO_35	IO_L18N_T2_35
VCCO_35	IO_L19P_T3_35
VCCO_35	IO_L19N_T3_VREF_35
VCCO_35	IO_L20P_T3_35
VCCO_35	IO_L20N_T3_35
VCCO_35	IO_L21P_T3_DQS_35
VCCO_35	IO_L21N_T3_DQS_35
VCCO_35	IO_L22P_T3_35
VCCO_35	IO_L22N_T3_35
VCCO_35	IO_L23P_T3_35
VCCO_35	IO_L23N_T3_35
VCCO_35	IO_L24P_T3_35
VCCO_35	IO_L24N_T3_35

J5	B LA05 P
H5	B LA05 N
H3	B LA07 P
G3	B LA07 N
H4	B LA08 P
G4	B LA08 N
K4	B LA09 N
J4	B LA09 P
L3	B LA03 P
K3	B LA03 N
M1	B LA13 N
L1	B LA13 P
M3	B LA12 P
M2	B LA12 N
K6	B LA04 P
J6	B LA04 N
L5	B LA01_CC P
L4	B LA01_CC N
N4	B LA00_CC P
N3	B LA00_CC N
R1	B LA15 N
P1	B LA15 P
P5	B LA16 N
P4	B LA16 P
P2	B LA20 N
N2	B LA20 P
M6	B LA02 N
M5	B LA02 P
P6	B LA11 N
N5	B LA11 P

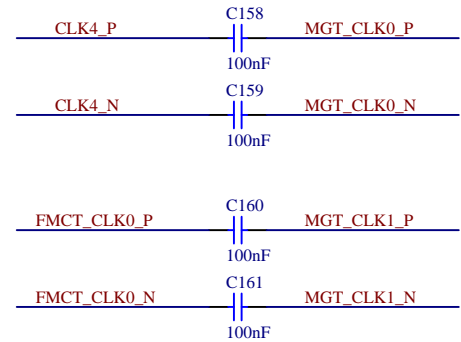
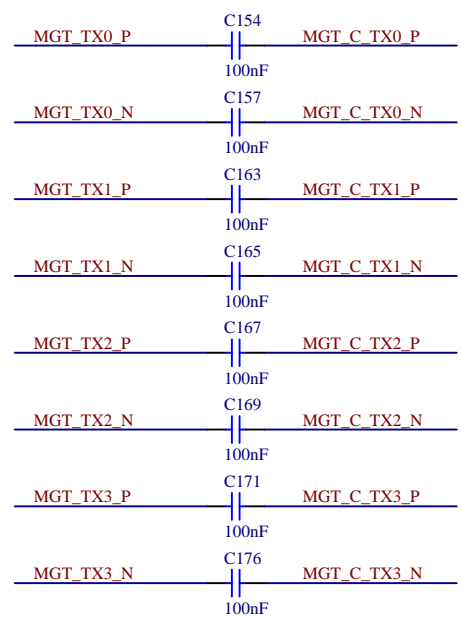
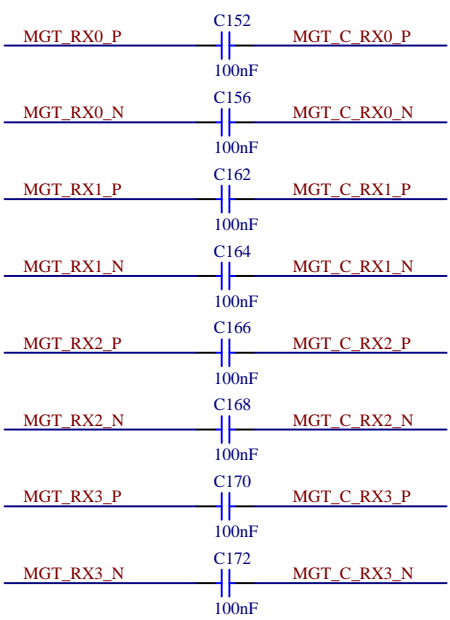
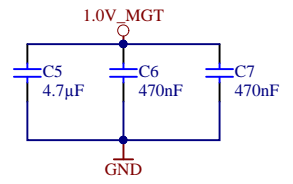
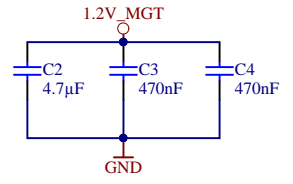
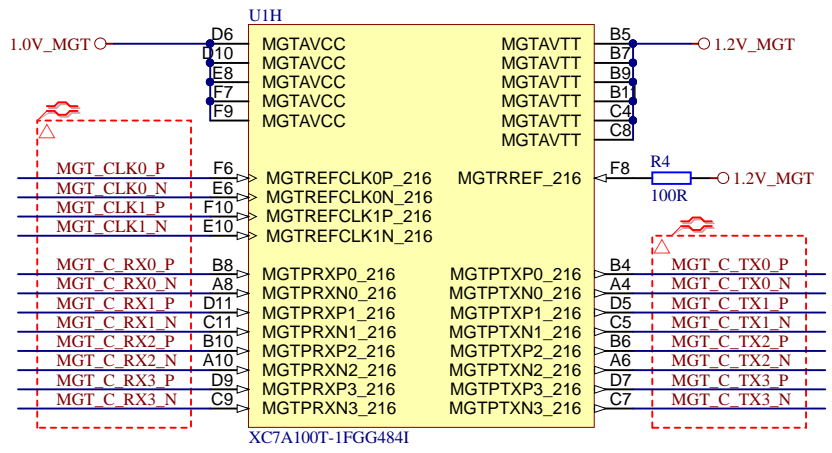
XC7A100T-IFGG484I



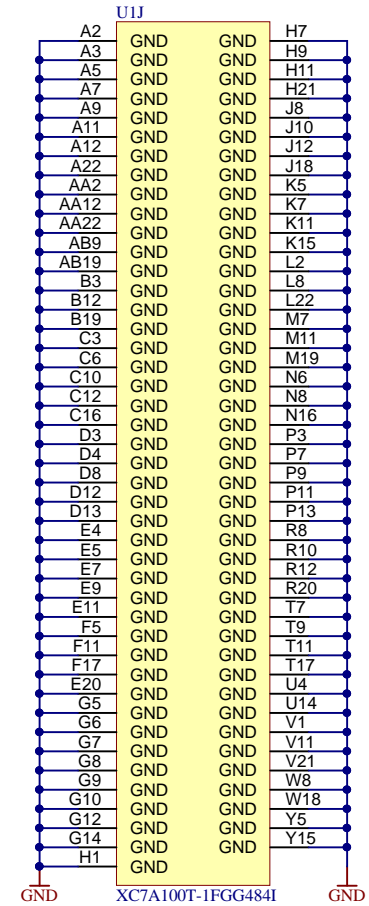
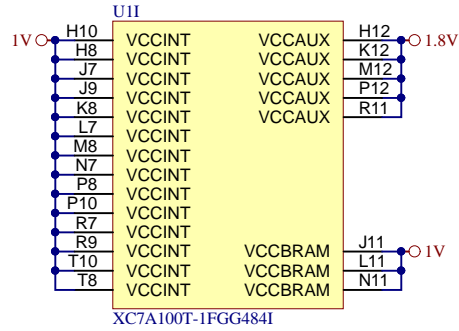
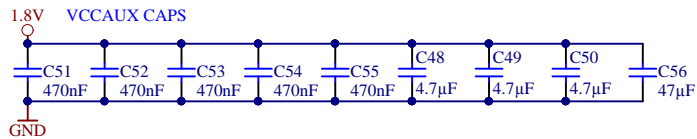
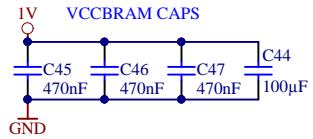
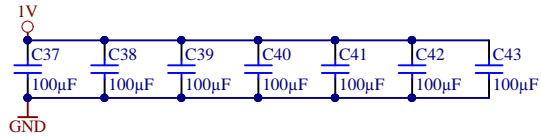
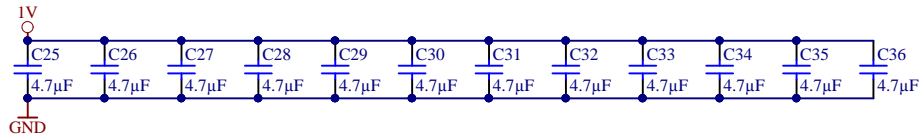
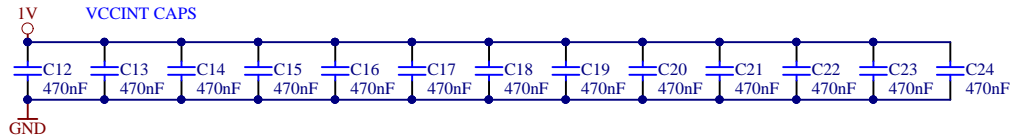
Title: TEF0010		
A4	Number: TEF0010 PROTO	Rev. 01
Date: 2019-09-02	Copyright: Trenz Electronic GmbH	Page 11 of 16
Filename: B34.SchDoc		



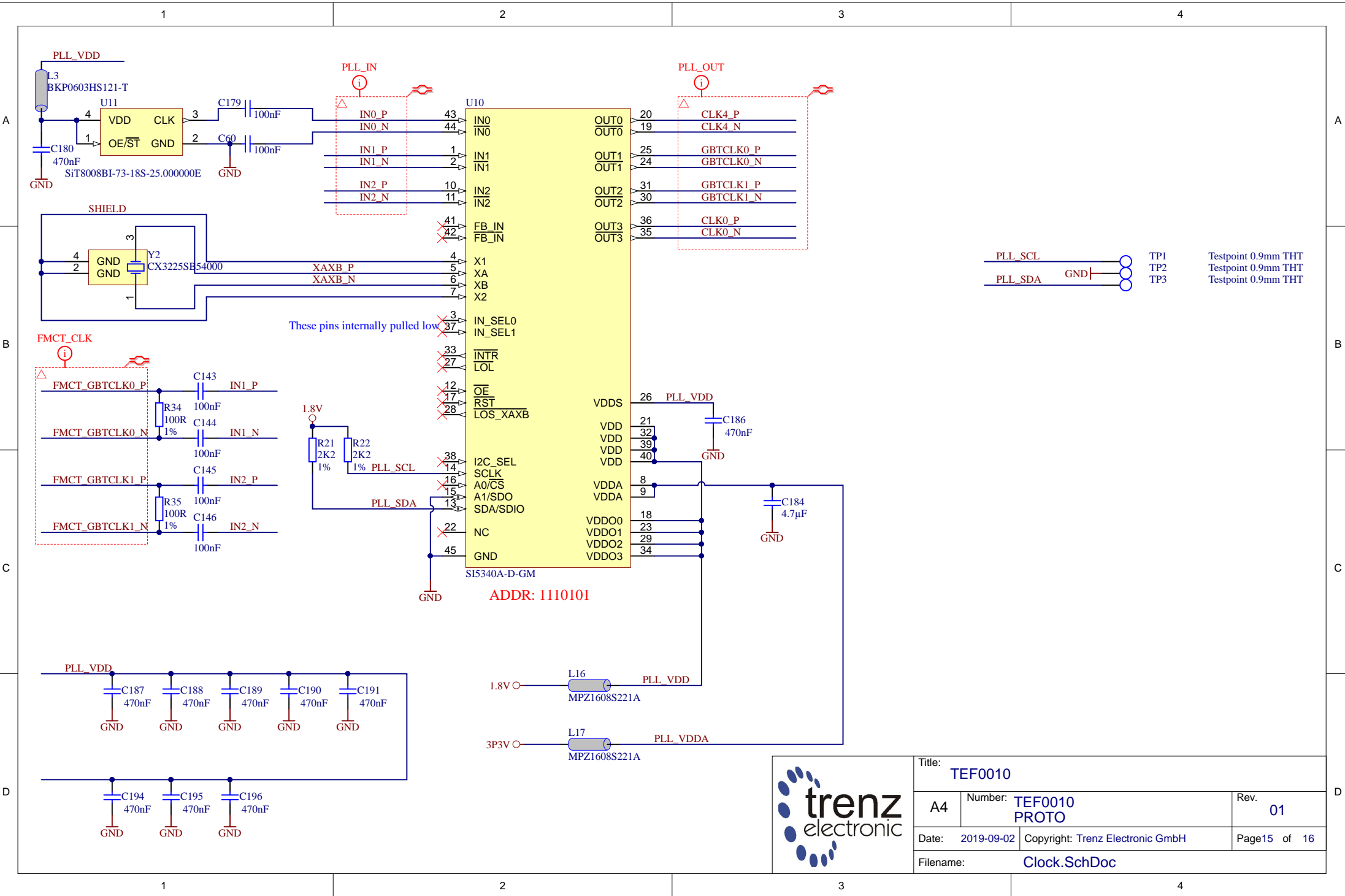
Title: TEF0010		
A4	Number: TEF0010 PROTO	Rev. 01
Date: 2019-09-02	Copyright: Trenz Electronic GmbH	Page 12 of 16
Filename: FPGA_MISC.SchDoc		



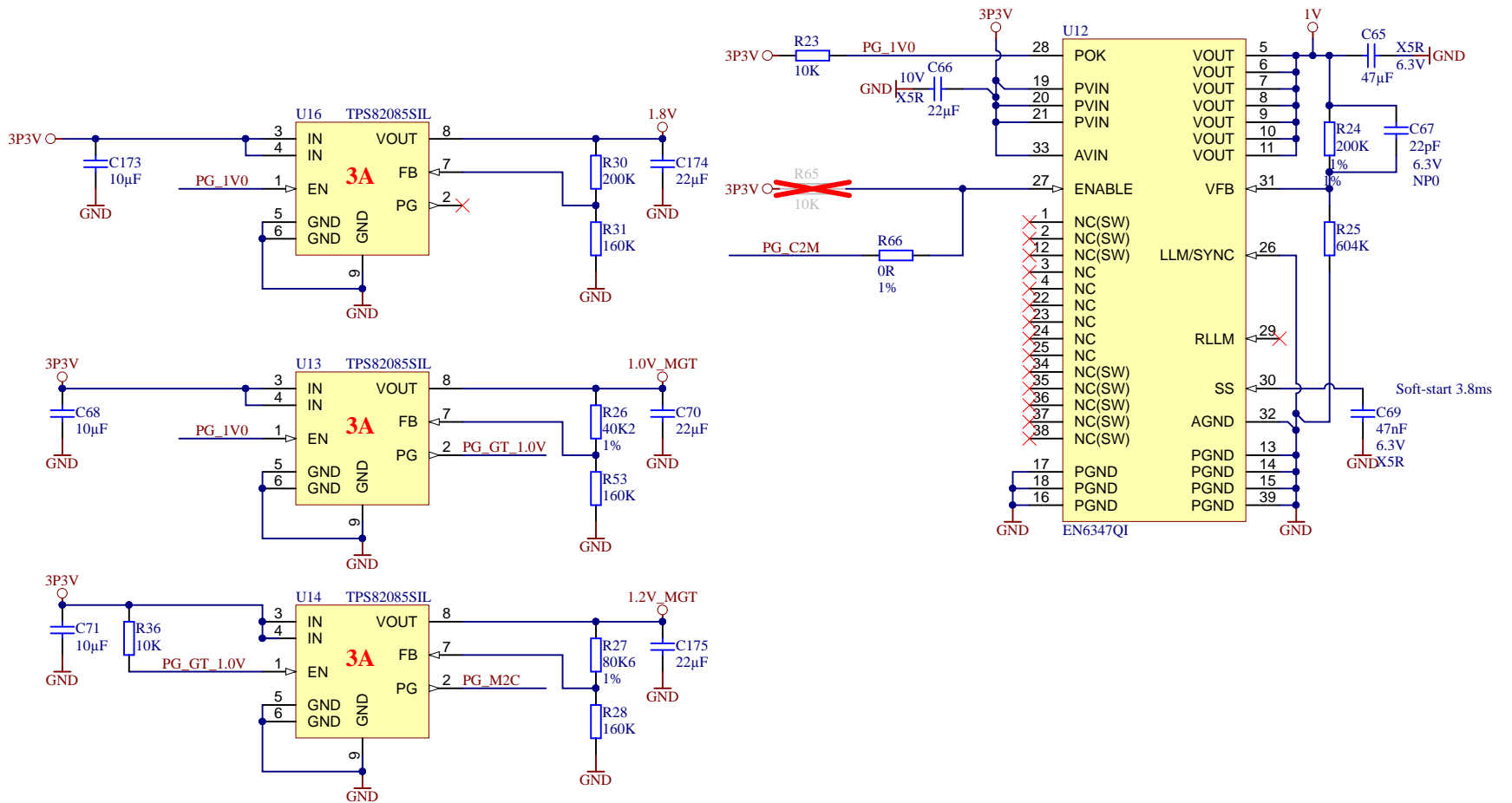
Title: TEF0010		
A4	Number: TEF0010 PROTO	Rev. 01
Date: 2019-09-02	Copyright: Trenz Electronic GmbH / TT	Page13 of 16
Filename: FPGA_MGT.SchDoc		




Title: TEF0010		
A4	Number: TEF0010 PROTO	Rev. 01
Date: 2019-09-02	Copyright: Trenz Electronic GmbH	Page 14 of 16
Filename: FPGA-PWR.SchDoc		



Title: TEF0010		
A4	Number: TEF0010 PROTO	Rev. 01
Date: 2019-09-02	Copyright: Trenz Electronic GmbH	Page 15 of 16
Filename: Clock.SchDoc		



		Title: TEF0010	
		A4	Number: TEF0010 PROTO
Date: 2019-09-02		Copyright: Trenz Electronic GmbH	
Filename: PWR.SchDoc		Page 16 of 16	