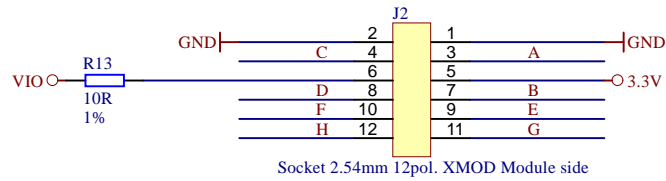
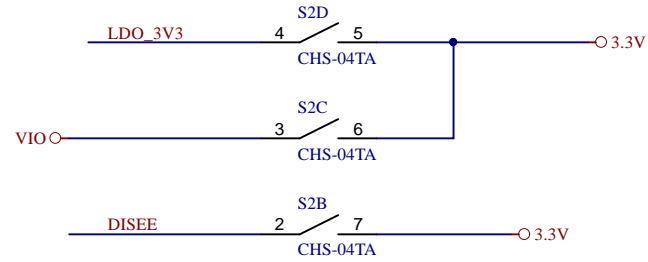
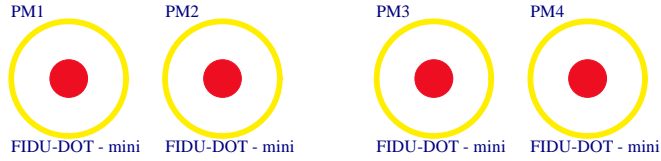


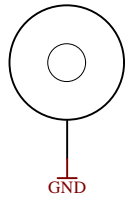
U_SystemController
SystemController.SchDoc



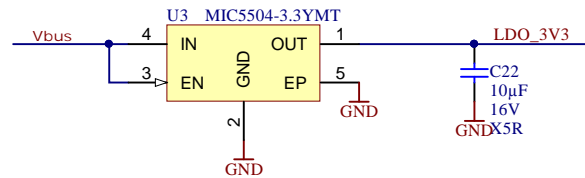
U_FTDI
FTDI.SchDoc



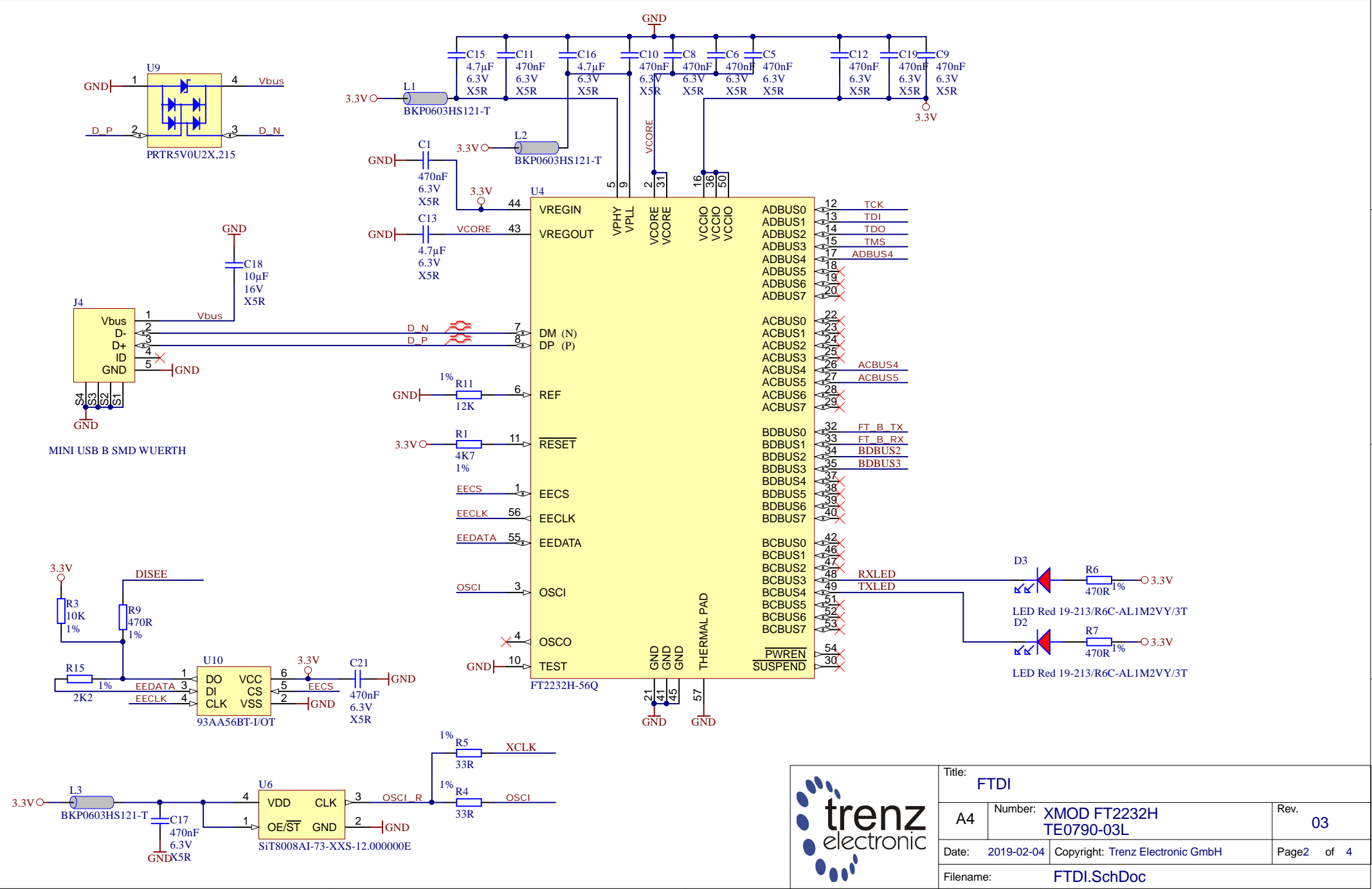
Mount.Hole 3.2mm




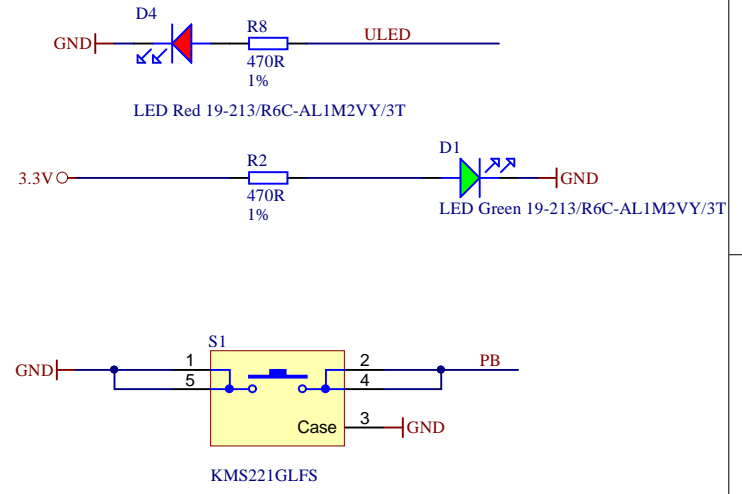
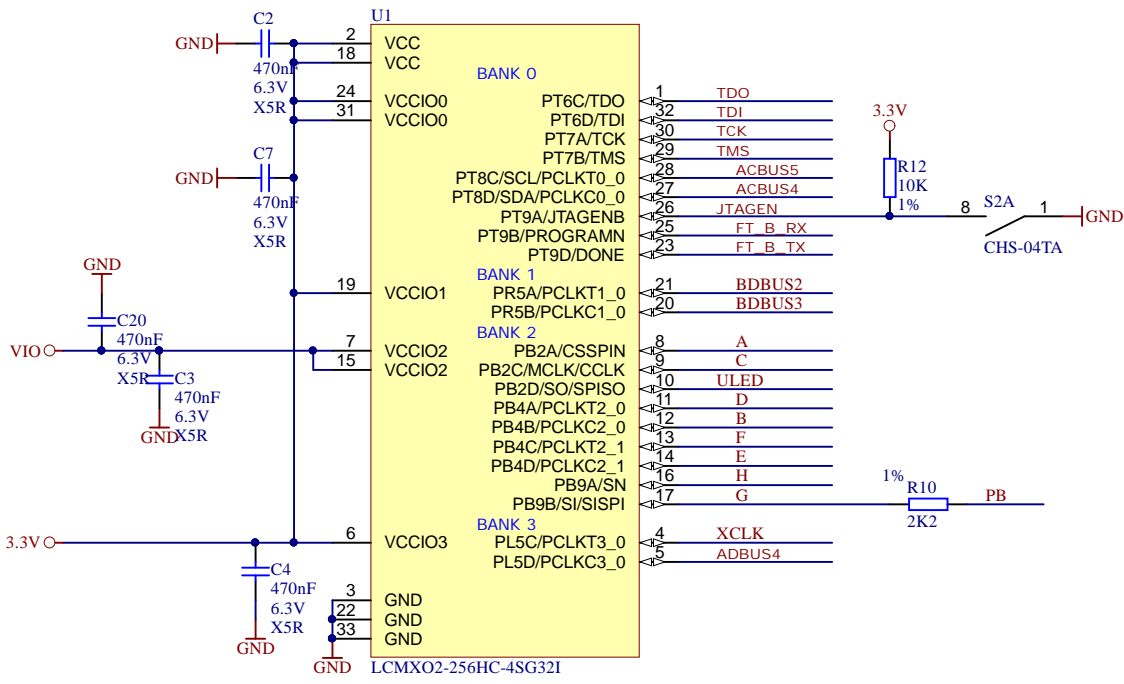
Serial
Serialnumber 6,3 x 6.3mm



Title: XMOD FT2232H		
A4	Number: XMOD FT2232H TE0790-03L	Rev. 03
Date: 2019-02-04	Copyright: Trenz Electronic GmbH	Page1 of 4
Filename: XMOD_FT2232H.SchDoc		



		Title: FTDI	
		A4	Number: XMOD FT232H TE0790-03L
Date: 2019-02-04		Copyright: Trenz Electronic GmbH	
Filename: FTDI.SchDoc		Page2 of 4	
		Rev. 03	



Title: CPLD		
A4	Number: XMOD FT2232H TE0790-03L	Rev. 03
Date: 2019-02-04	Copyright: Trenz Electronic GmbH	Page3 of 4
Filename: SystemController.SchDoc		

1

2

3

4

REV03

- 1) Changed FTDI chip 64pin -> 56pin package
- 2) LIB components update
- 3) Changed U3 (obsolete chip)
- 4) LEDs in package 0402 replaced by package 0603

A

A

B


B

C

C

D

D

		Title: TE0790 - Revision Changes	
		A4	Number: XMOD FT2232H TE0790-03L
Date: 2019-02-04		Copyright: Trenz Electronic GmbH / TT	
Filename: Revision Changes.SchDoc		Page 4 of 4	

1

2

3

4