

1

2

3

4

A

A

B

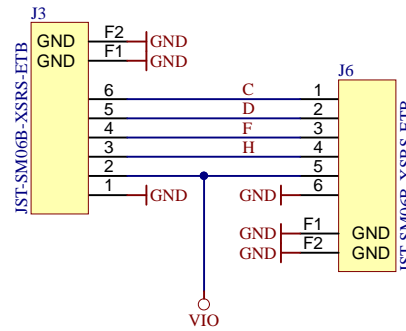
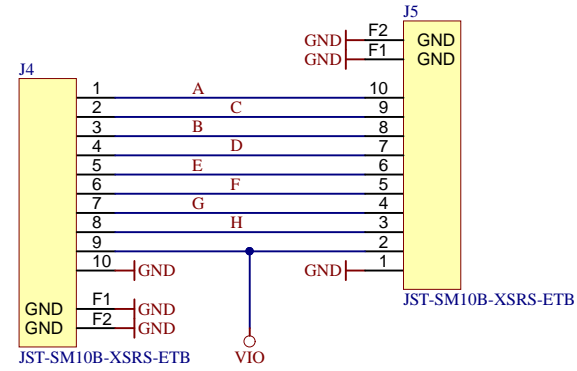
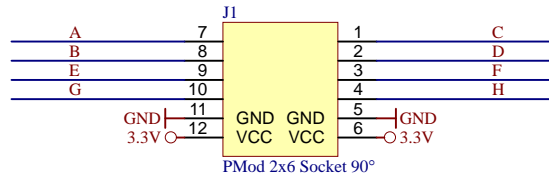
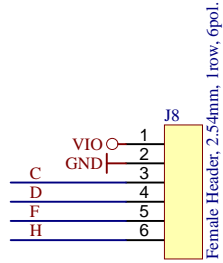
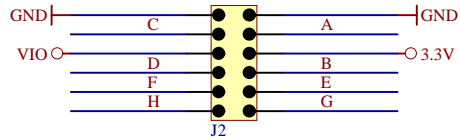
B

C

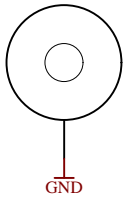
C

D

D



Mount.Hole 3.2mm



Title: TE0791 - XMOD_JCONN		
A4	Number: TE0791 TE0791-01C	Rev. 01
Date: 2016-01-25	Copyright: Trenz Electronic GmbH	Page1 of 1
Filename: TE0791.SchDoc		

1

2

3

4