

1

2

3

4

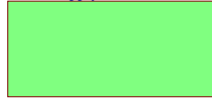
U_A-Headers
A-Headers.SchDoc



U_FPGA
FPGA.SchDoc



U_PowerSupply
PowerSupply.SchDoc



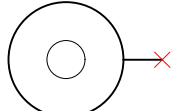
U_FTDI
FTDI.SchDoc



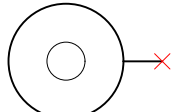
U_FPGA_MISC
FPGA_MISC.SchDoc



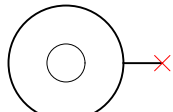
U_SENSOR_Flash_RAM
SENSOR_Flash_RAM.SchDoc



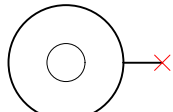
Mount.Hole 2mm (unplated)



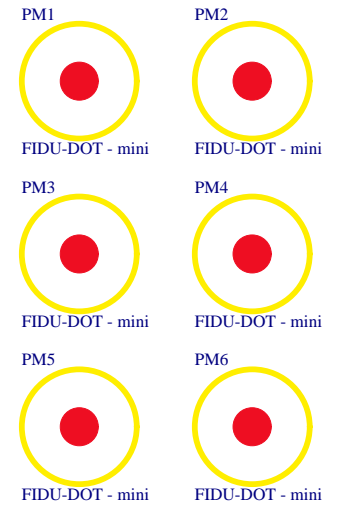
Mount.Hole 2mm (unplated)



Mount.Hole 2mm (unplated)



Mount.Hole 2mm (unplated)



LOGO1



LOGO PRINT

Serial



Serialnumber 6,3 x 6.3mm



Title: MAX1000		
A4	Number: TEI0001 08-C8P	Rev. 01
Date: 2017-02-17	Copyright: Trenz Electronic GmbH	
Page1 of 7		
Filename: TEI0001.SchDoc		

1

2

3

4

A

A

B

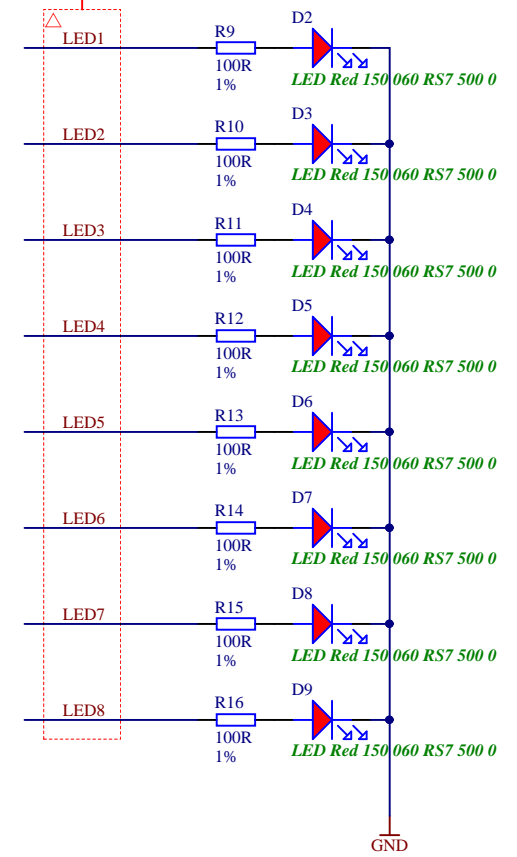
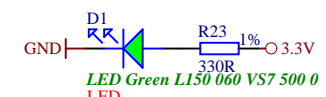
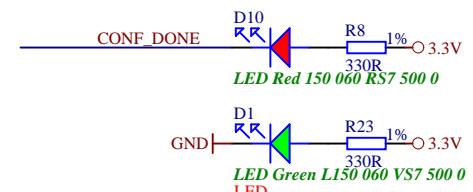
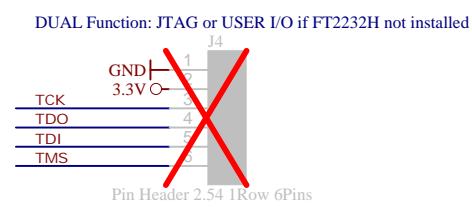
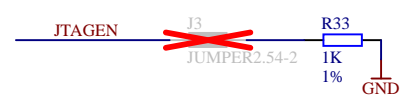
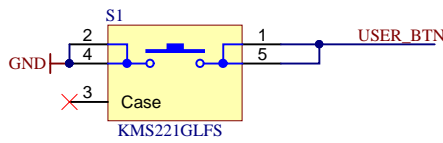
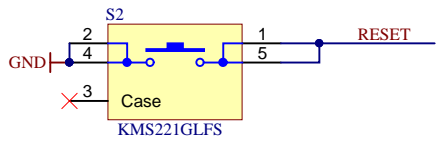
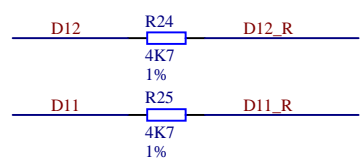
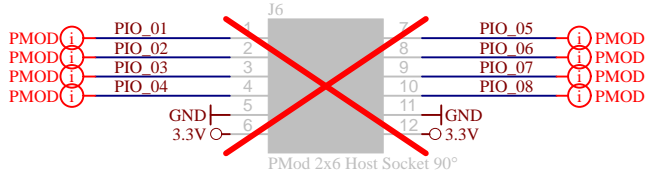
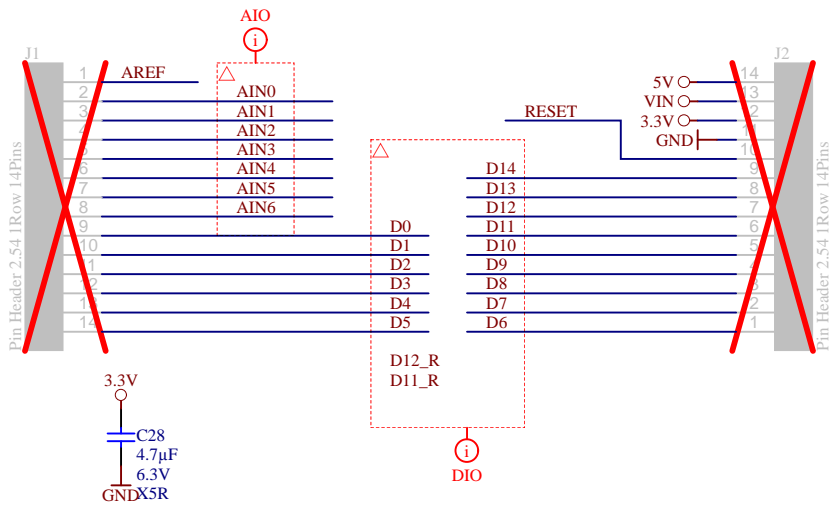
B

C

C

D

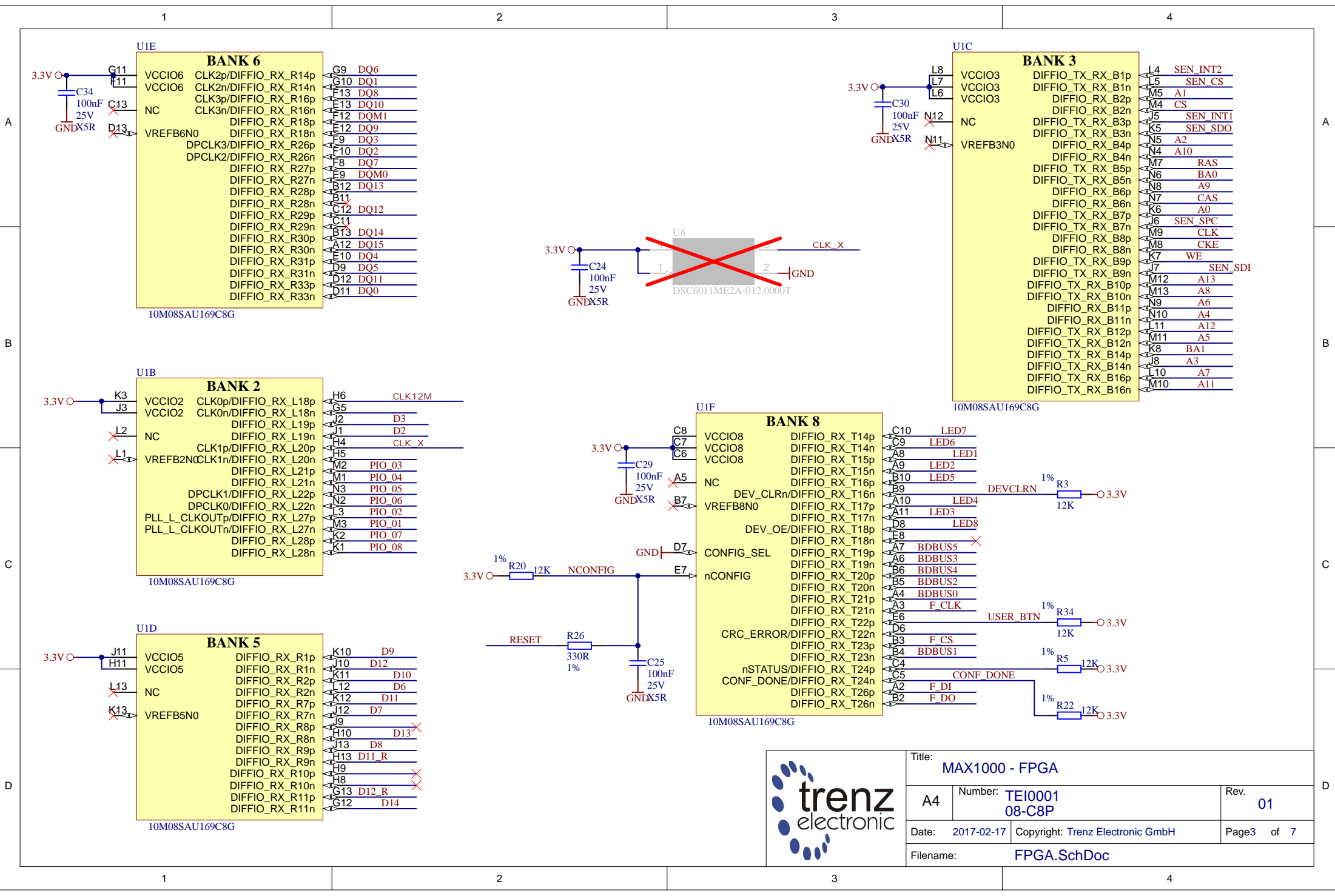
D



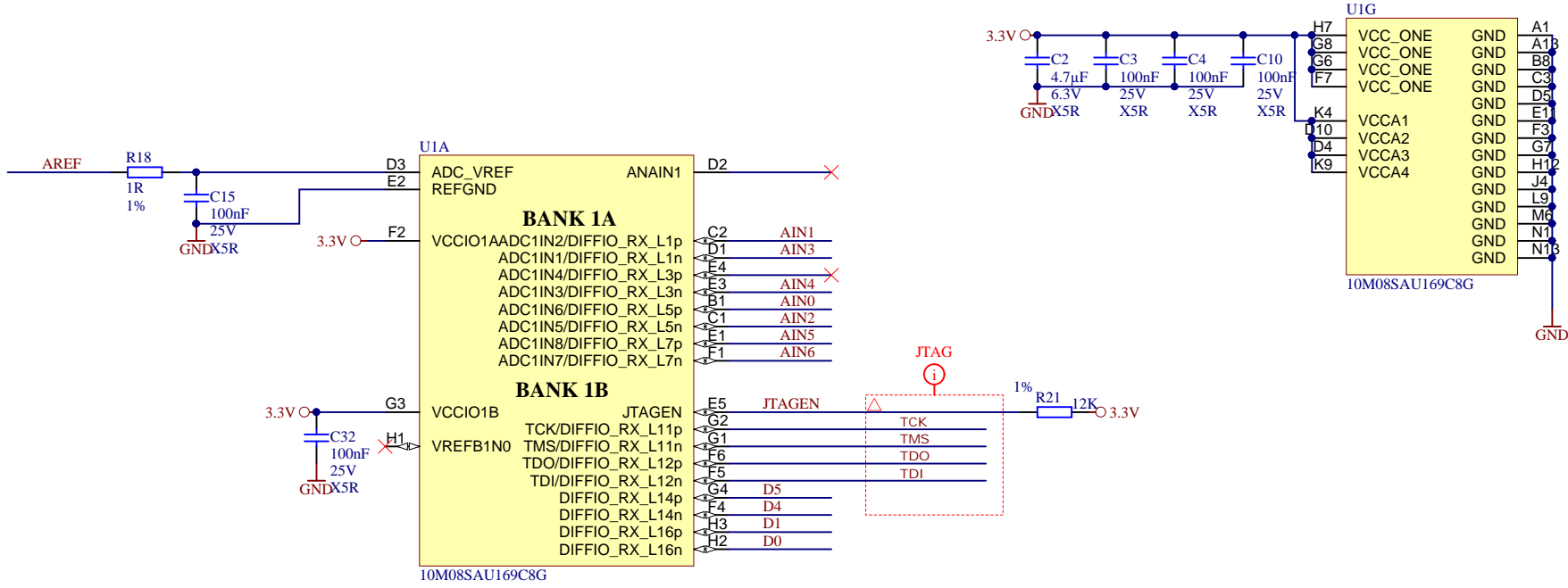
DUAL Function: JTAG or USER I/O if FT2232H not installed




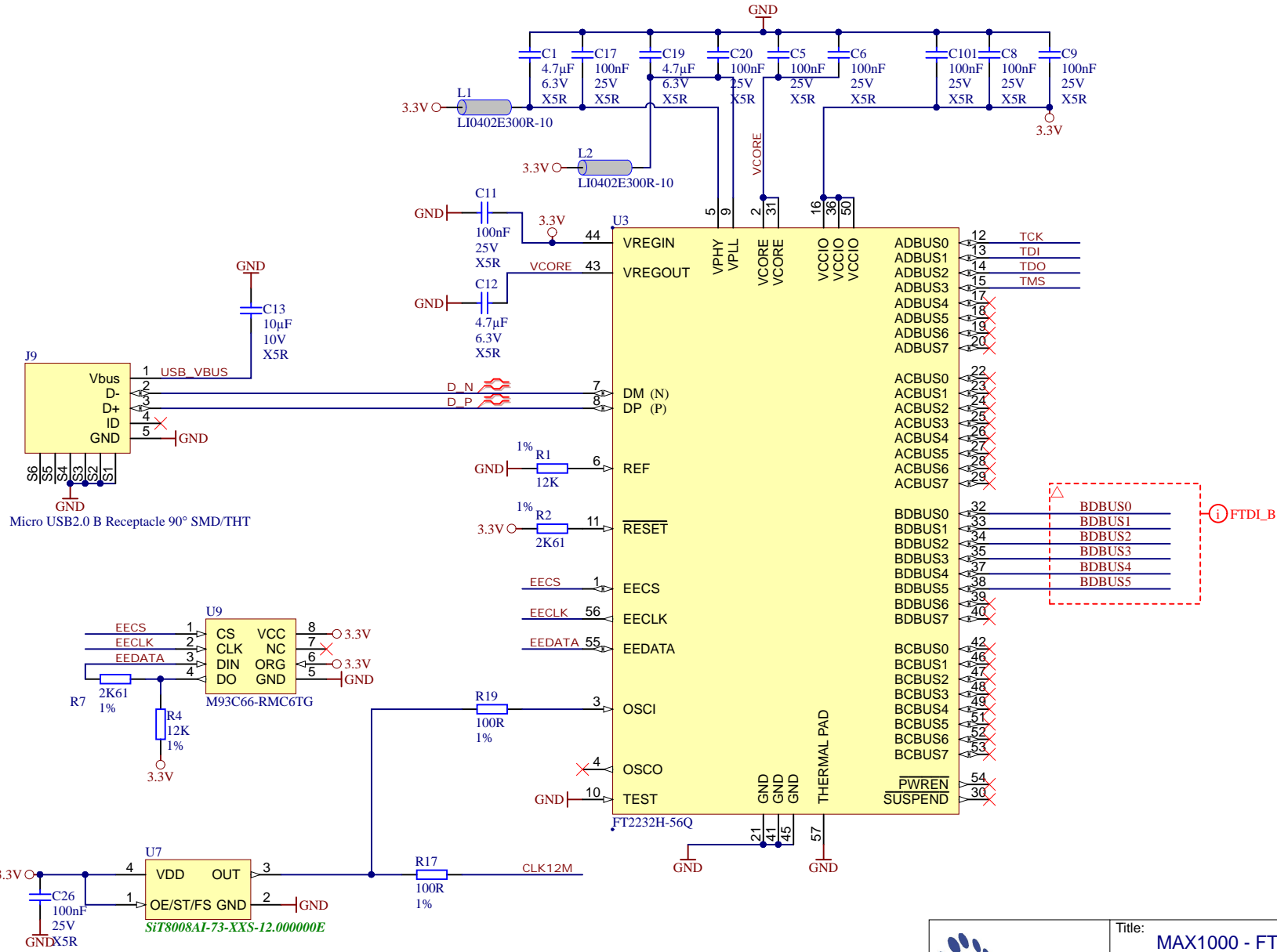
Title: MAX1000 - Headers		
A4	Number: TEI0001 08-C8P	Rev. 01
Date: 2017-02-17	Copyright: Trenz Electronic GmbH	Page2 of 7
Filename: A-Headers.SchDoc		



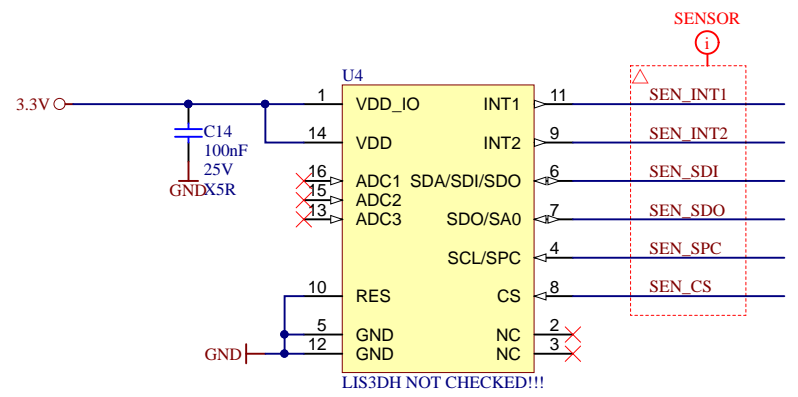
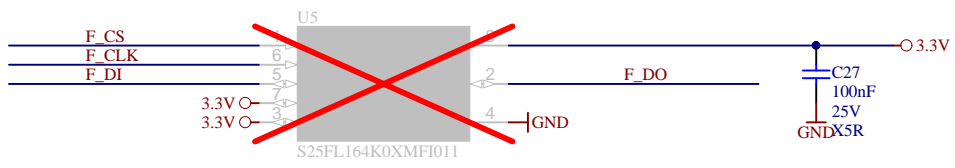
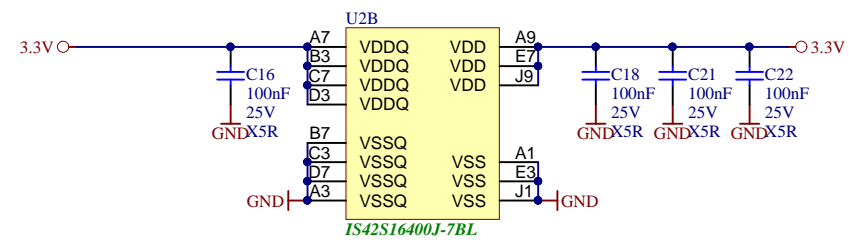
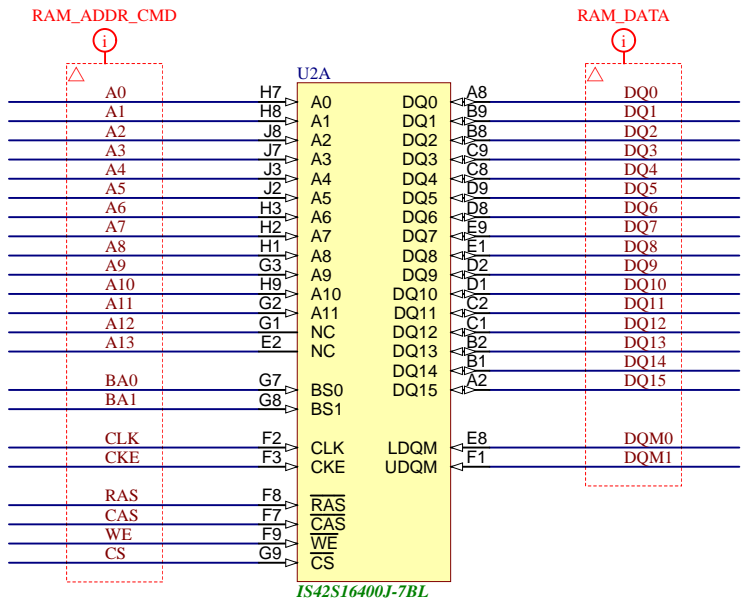
Title: MAX1000 - FPGA		
A4	Number: TEI0001 08-C8P	Rev. 01
Date: 2017-02-17	Copyright: Trenz Electronic GmbH	Page 3 of 7
Filename: FPGA.SchDoc		



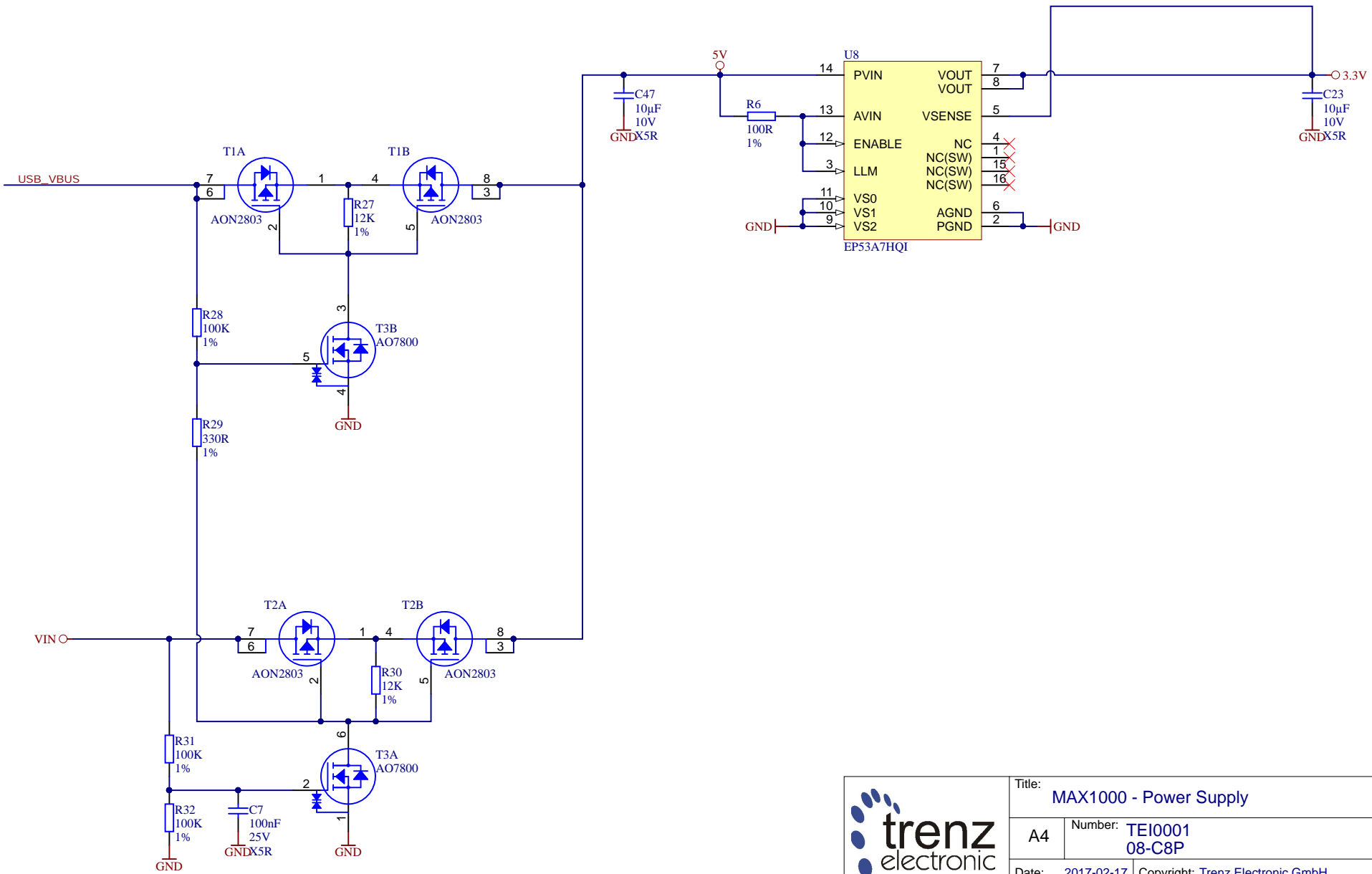
	Title: MAX1000 - FPGA_MISC		
	A4	Number: TEI0001 08-C8P	Rev. 01
	Date: 2017-02-17	Copyright: Trenz Electronic GmbH	Page 4 of 7
	Filename: FPGA_MISC.SchDoc		



Title: MAX1000 - FTDI		
A4	Number: TEI0001 08-C8P	Rev. 01
Date: 2017-02-17	Copyright: Trenz Electronic GmbH	Page5 of 7
Filename: FTDI.SchDoc		



Title: MAX1000 - Sensor_Flash_SDRAM		
A4	Number: TEI0001 08-C8P	Rev. 01
Date: 2017-02-17	Copyright: Trenz Electronic GmbH	Page 6 of 7
Filename: SENSOR_Flash_RAM.SchDoc		



Title: MAX1000 - Power Supply		
A4	Number: TEI0001 08-C8P	Rev. 01
Date: 2017-02-17	Copyright: Trenz Electronic GmbH	Page 7 of 7
Filename: PowerSupply.SchDoc		