

1

2

3

4

U_A-Headers
A-Headers.SchDoc



U_FPGA
FPGA.SchDoc



U_PowerSupply
PowerSupply.SchDoc



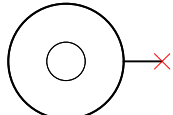
U_FTDI
FTDI.SchDoc



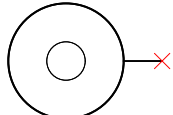
U_FPGA_MISC
FPGA_MISC.SchDoc



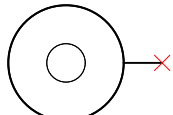
U_SENSOR_Flash_RAM
SENSOR_Flash_RAM.SchDoc



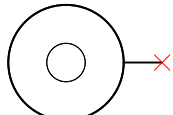
Mount.Hole 2mm (unplated)



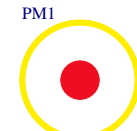
Mount.Hole 2mm (unplated)



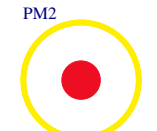
Mount.Hole 2mm (unplated)



Mount.Hole 2mm (unplated)



FIDU-DOT - mini



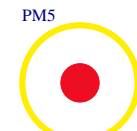
FIDU-DOT - mini



FIDU-DOT - mini



FIDU-DOT - mini



FIDU-DOT - mini



FIDU-DOT - mini

LOGO1

TE Logo PRINT Layer

LOGO PRINT

Serial

Serialnumber 6,3 x 6.3mm



Title: MAX1000		
A4	Number: TEI0001 16-C8	Rev. 03
Date: 2017-09-07	Copyright: Trenz Electronic GmbH	Page1 of 8
Filename: TEI0001.SchDoc		

1

2

3

4

A

A

B

B

C

C

D

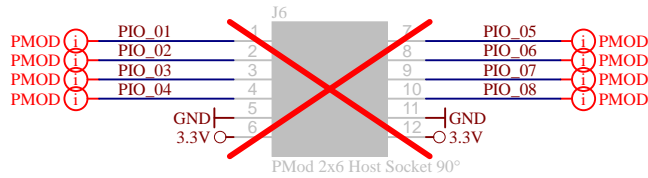
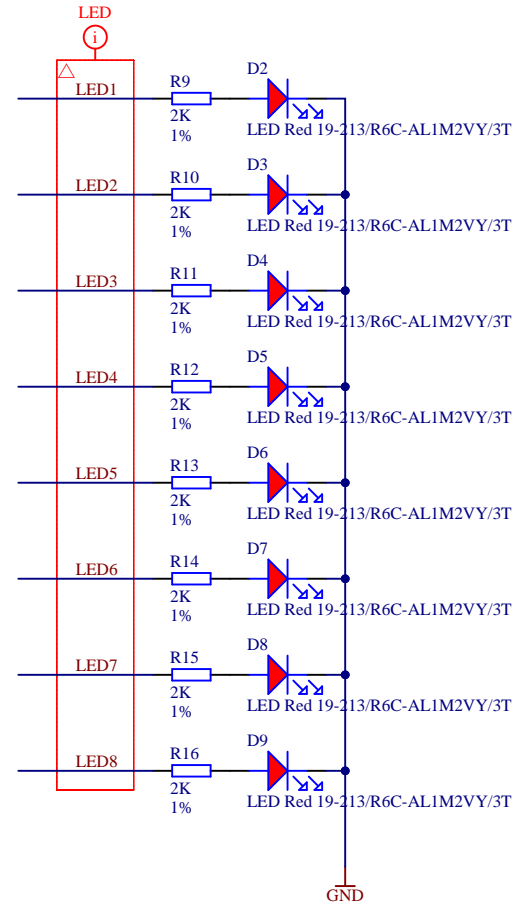
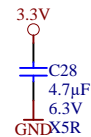
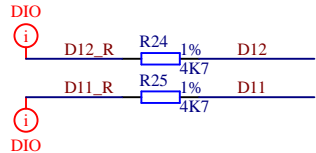
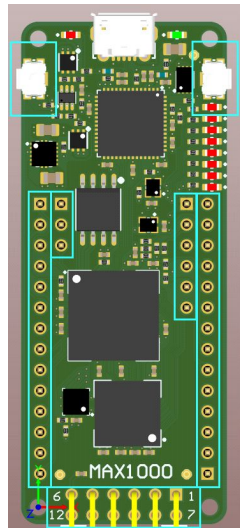
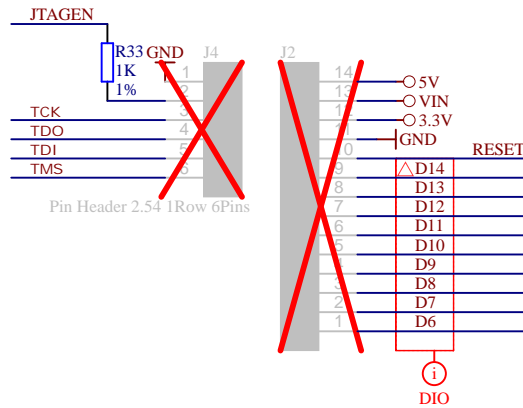
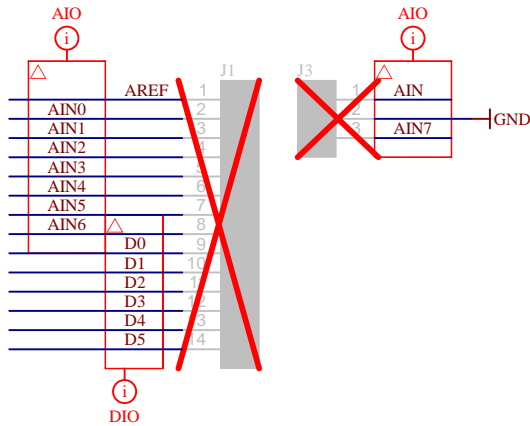
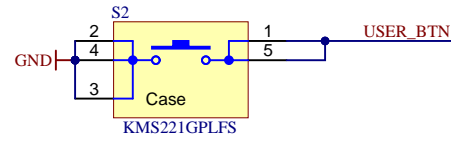
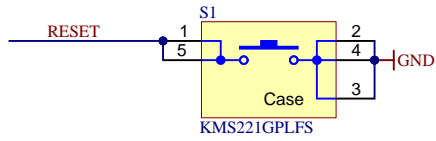
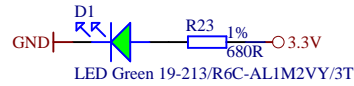
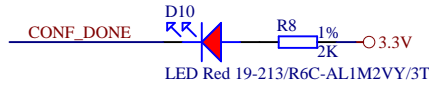
D

1

2

3

4



DUAL Function: JTAG or USER I/O if FT2232H not installed



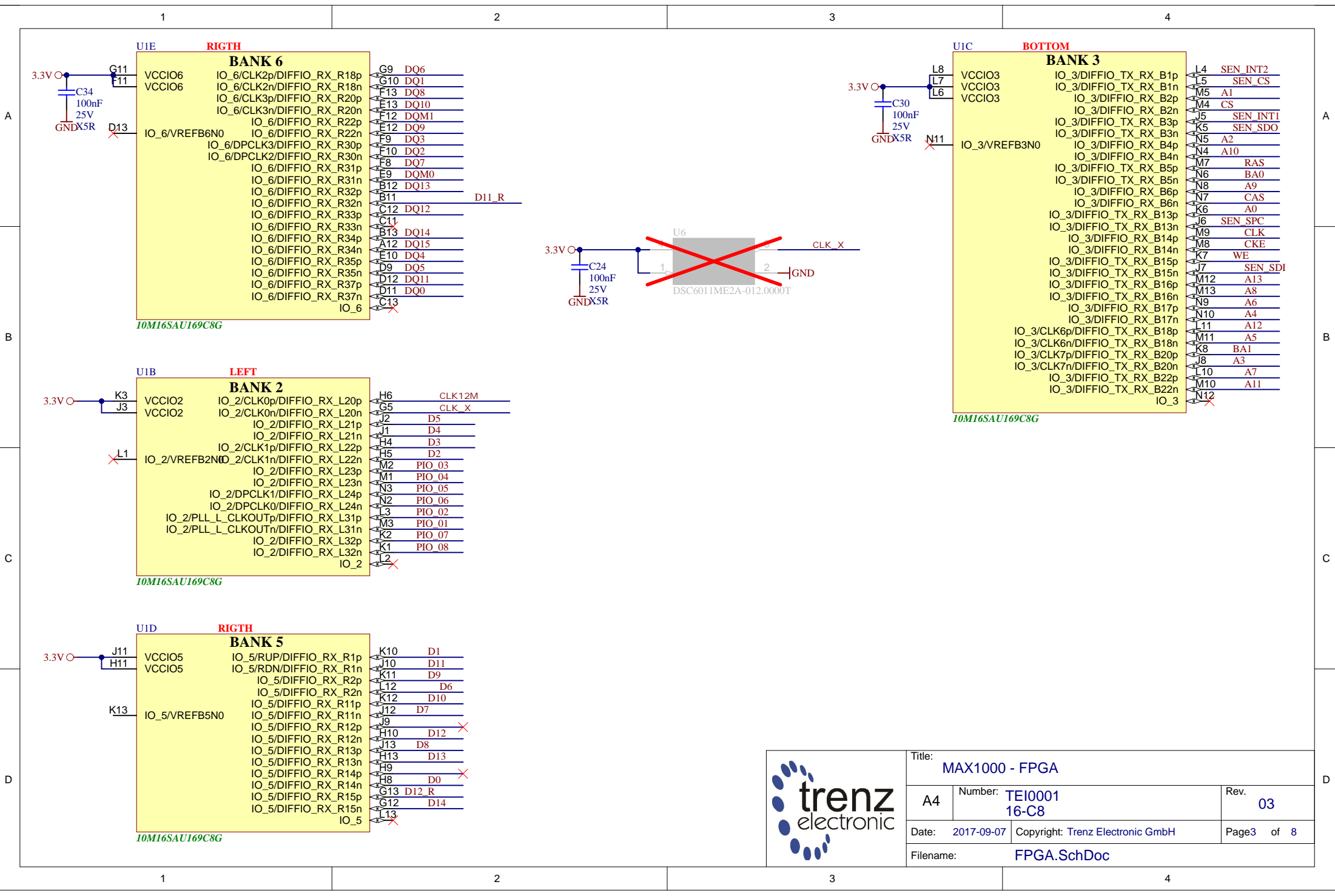
Title: MAX1000 - Headers		
A4	Number: TEI0001 16-C8	Rev. 03
Date: 2017-09-07	Copyright: Trenz Electronic GmbH	Page2 of 8
Filename: A-Headers.SchDoc		

1

2

3

4



A

B

C

D

A

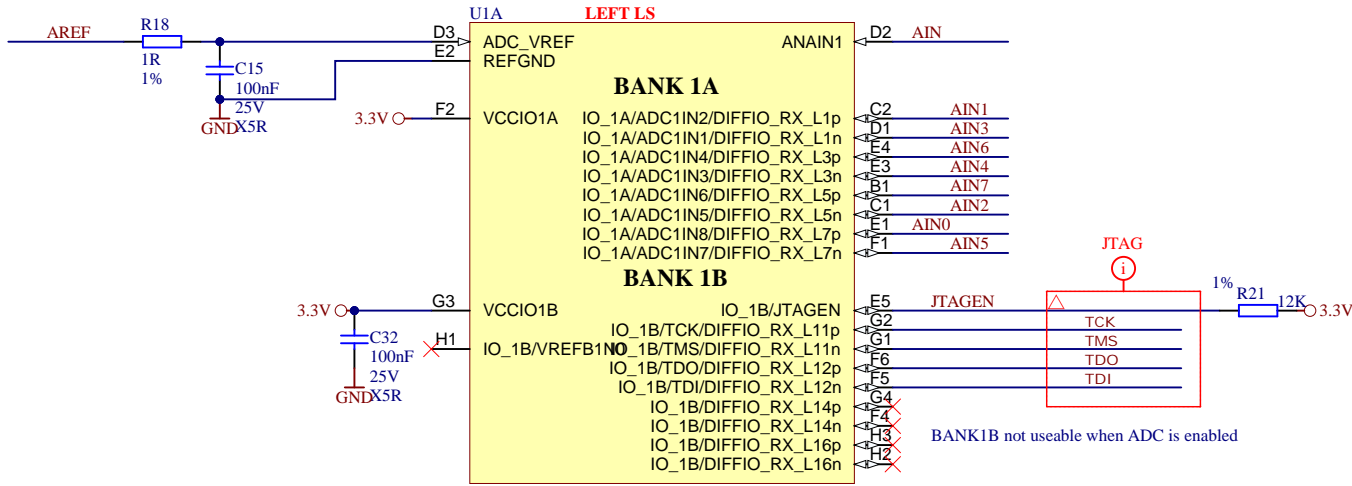
B

C

D

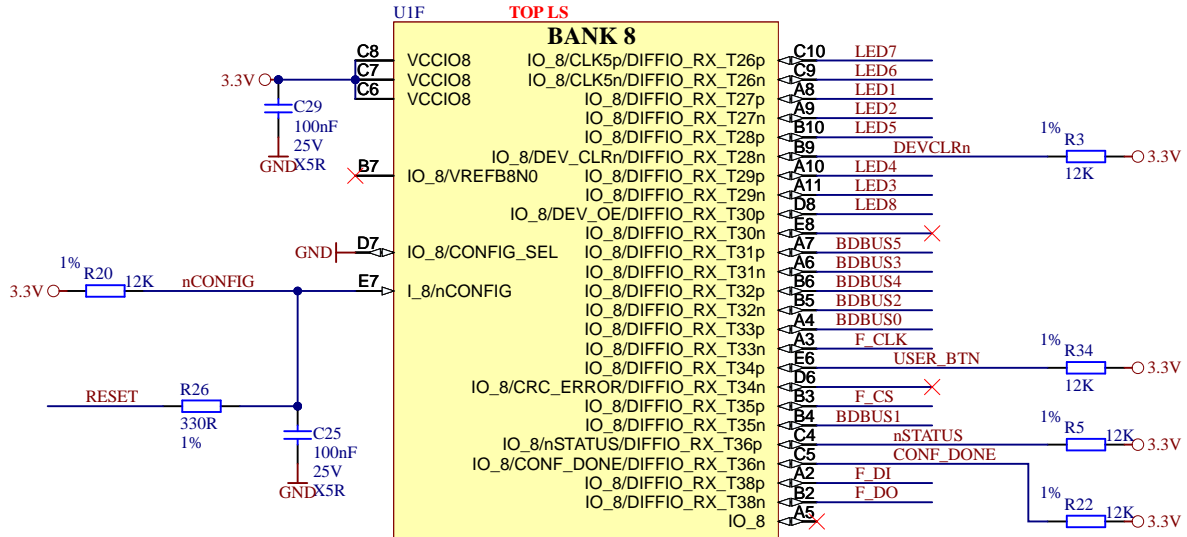


Title: MAX1000 - FPGA		
A4	Number: TEI0001 16-C8	Rev. 03
Date: 2017-09-07	Copyright: Trenz Electronic GmbH	Page 3 of 8
Filename: FPGA.SchDoc		

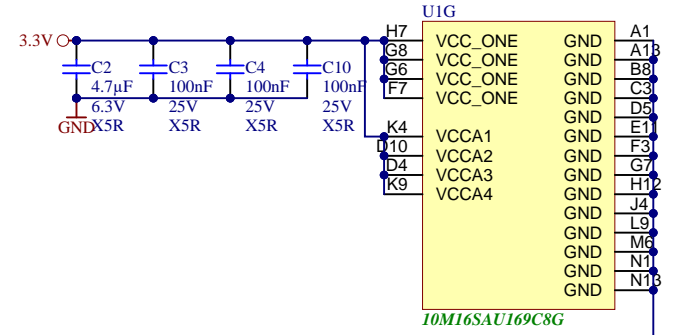


10M16SAU169C8G

BANK1B not useable when ADC is enabled



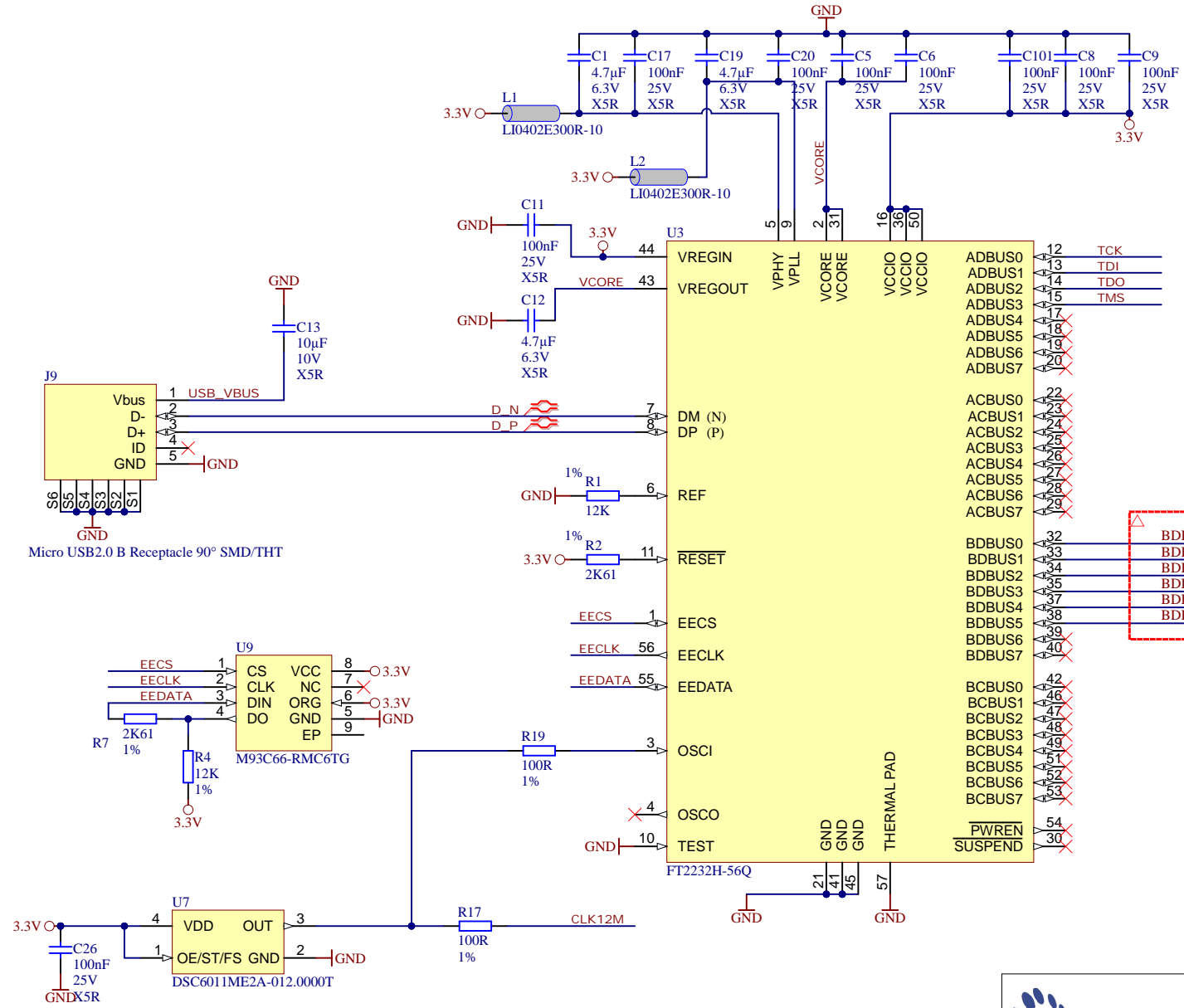
10M16SAU169C8G



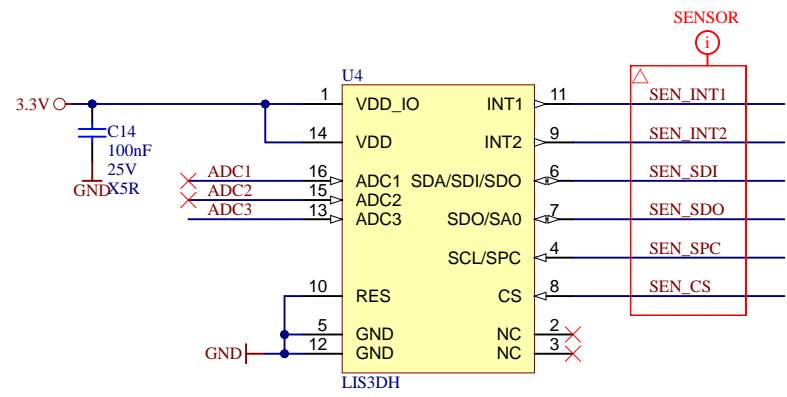
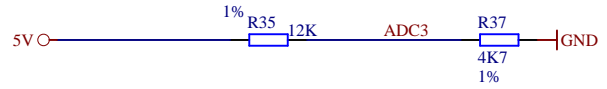
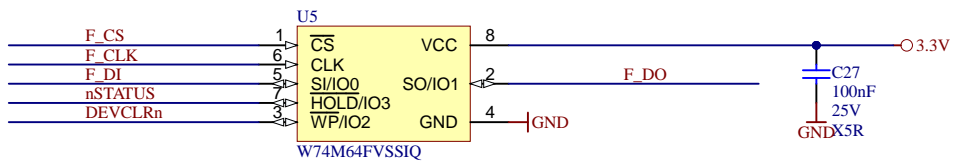
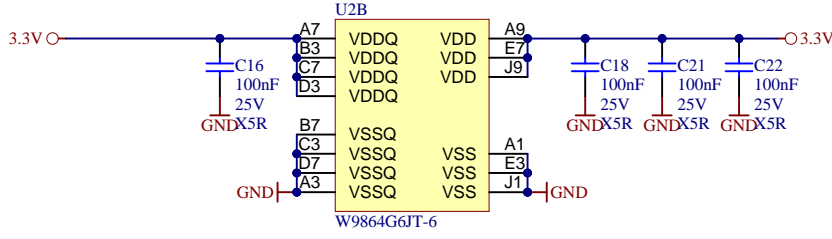
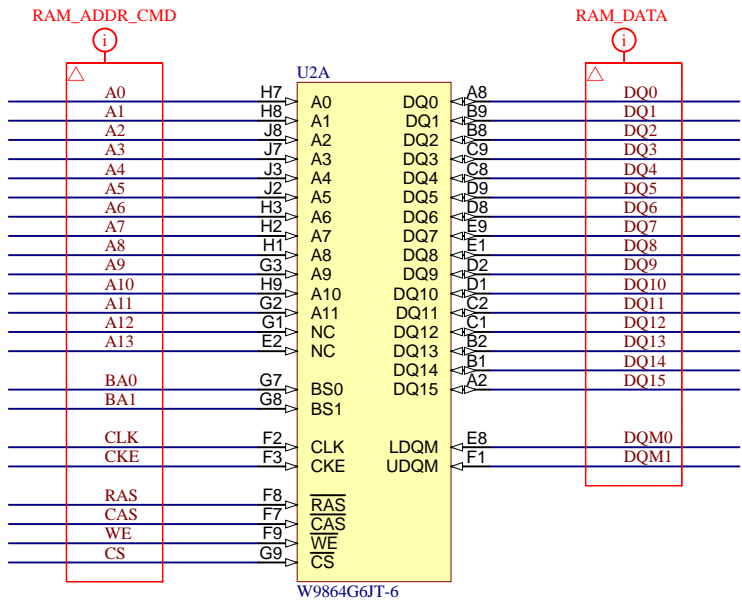
10M16SAU169C8G



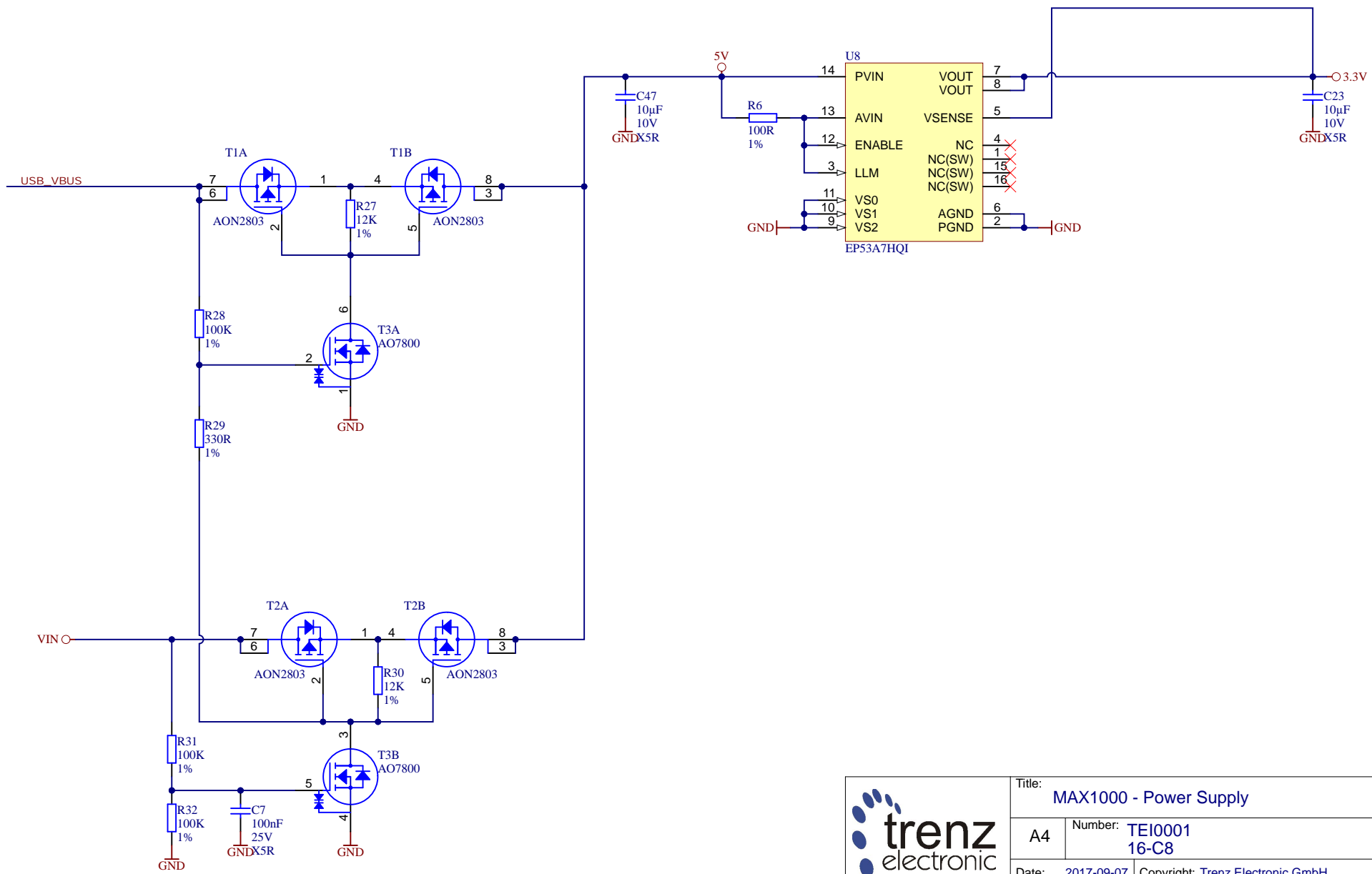
Title: MAX1000 - FPGA_MISC		
A4	Number: TEI0001 16-C8	Rev. 03
Date: 2017-09-07	Copyright: Trenz Electronic GmbH	Page4 of 8
Filename: FPGA_MISC.SchDoc		




Title: MAX1000 - FTDI		
A4	Number: TEI0001 16-C8	Rev. 03
Date: 2017-09-07	Copyright: Trenz Electronic GmbH	Page 5 of 8
Filename: FTDI.SchDoc		



Title: MAX1000 - Sensor_Flash_SDRAM		
A4	Number: TEI0001 16-C8	Rev. 03
Date: 2017-09-07	Copyright: Trenz Electronic GmbH	Page 6 of 8
Filename: SENSOR_Flash_RAM.SchDoc		



	Title: MAX1000 - Power Supply		
	A4	Number: TEI0001 16-C8	Rev. 03
	Date: 2017-09-07	Copyright: Trenz Electronic GmbH	Page 7 of 8
	Filename: PowerSupply.SchDoc		

1

2

3

4

CHANGES REV01 to REV02

- 1) Added resistors R35, R37
- 2) Changed SPI-flash on W74M64FVSSIQ (populated in REV02)
- 3) Moved nets D0,D1,D4,D5 from bank 1B to banks 5 and 2
- 4) Optimized connections into banks 1A, 1B, 2, 5,6
- 5) Changed pin-out on a connector J4
- 6) Added a pin-header J3
- 7) Changed a LEDs

CHANGES REV02a (29.08.2017)

- 1) Updated schematic symbol of U1

CHANGES REV03

- 1) Buttons S1 and S2 replaced from KMS221GLFS to KMS221GPLFS

A

A

B

B

C

C

D


D

1

2

3

4

	Title: MAX1000		
	A4	Number: TEI0001 16-C8	Rev. 03
	Date: 2017-09-07	Copyright: Trenz Electronic GmbH	Page 8 of 8
	Filename: Revision_Changes.SchDoc		