

1

2

3

4

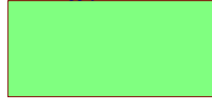
U\_A-Headers  
A-Headers.SchDoc



U\_FPGA  
FPGA.SchDoc



U\_PowerSupply  
PowerSupply.SchDoc



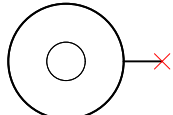
U\_FTDI  
FTDI.SchDoc



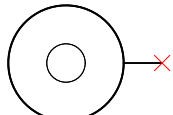
U\_FPGA\_MISC  
FPGA\_MISC.SchDoc



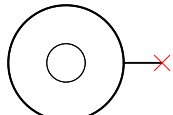
U\_SENSOR\_Flash\_RAM  
SENSOR\_Flash\_RAM.SchDoc



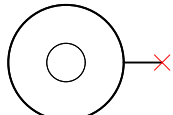
Mount.Hole 2mm (unplated)



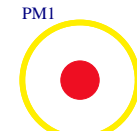
Mount.Hole 2mm (unplated)



Mount.Hole 2mm (unplated)



Mount.Hole 2mm (unplated)



FIDU-DOT - mini



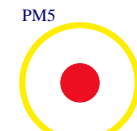
FIDU-DOT - mini



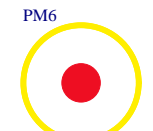
FIDU-DOT - mini



FIDU-DOT - mini



FIDU-DOT - mini



FIDU-DOT - mini

LOGO1



Serial  
Serialnumber 6,3 x 6.3mm



Title: MAX1000		
A4	Number: TEI0001 16-C8A	Rev. 03
Date: 2017-09-07	Copyright: Trenz Electronic GmbH	Page1 of 8
Filename: TEI0001.SchDoc		

1

2

3

4

A

A

B

B

C

C

D

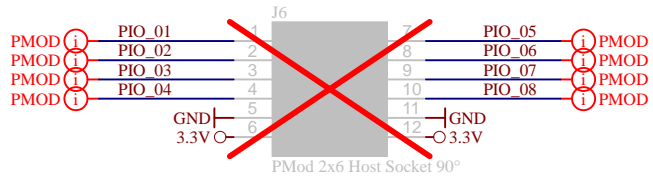
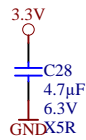
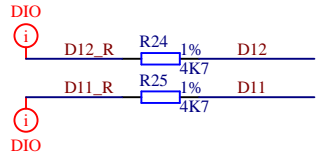
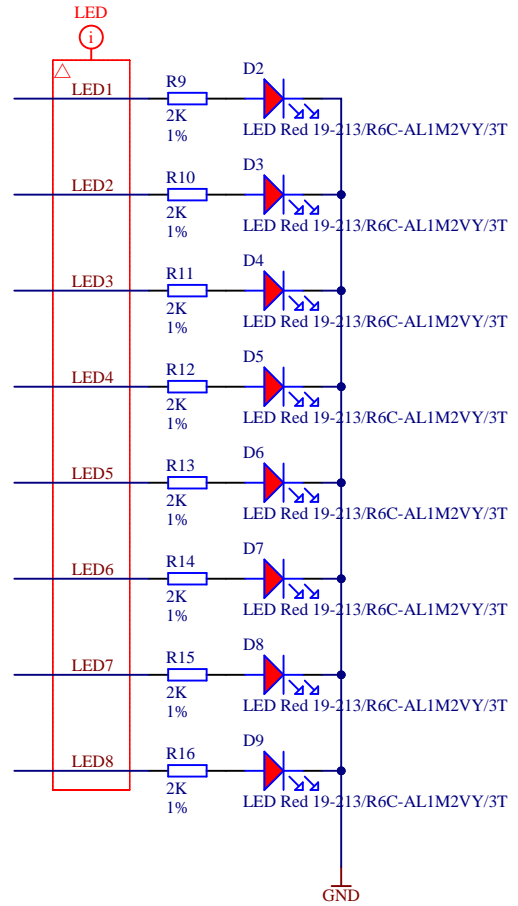
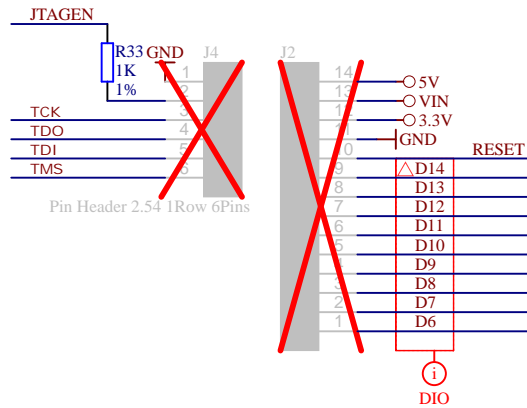
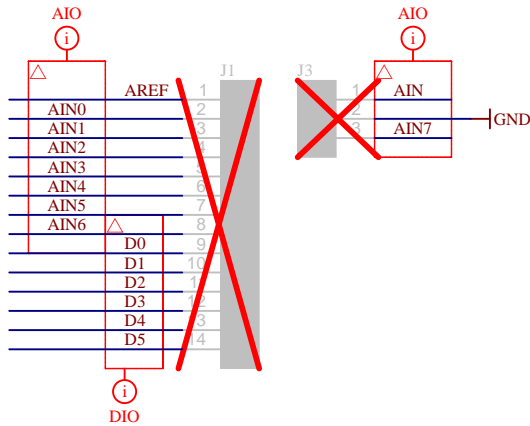
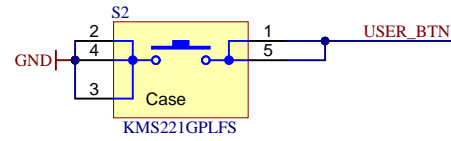
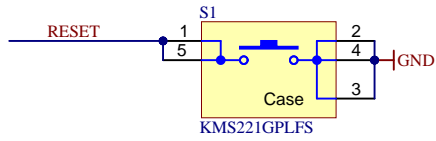
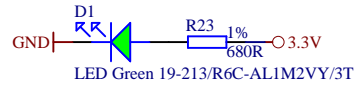
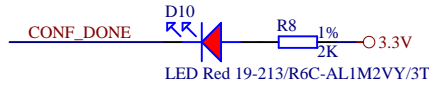
D

1

2

3

4



DUAL Function: JTAG or USER I/O if FT2232H not installed



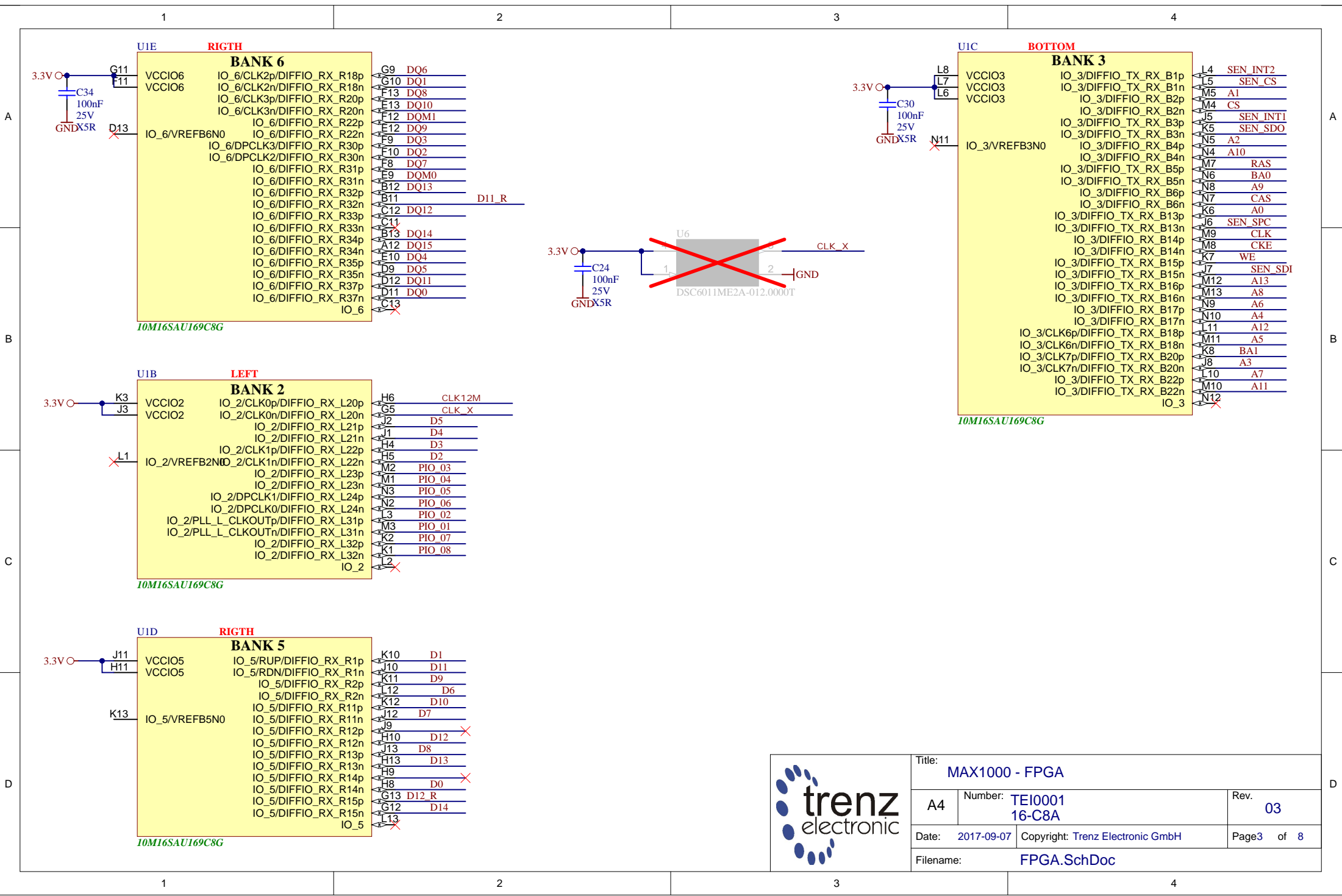
Title: <b>MAX1000 - Headers</b>		
A4	Number: <b>TEI0001 16-C8A</b>	Rev. <b>03</b>
Date: <b>2017-09-07</b>	Copyright: <b>Trenz Electronic GmbH</b>	Page2 of 8
Filename: <b>A-Headers.SchDoc</b>		

1

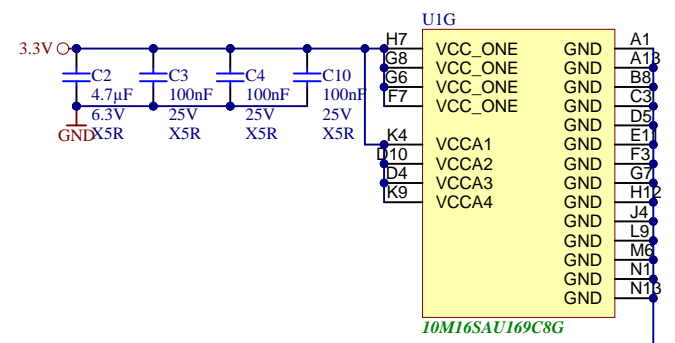
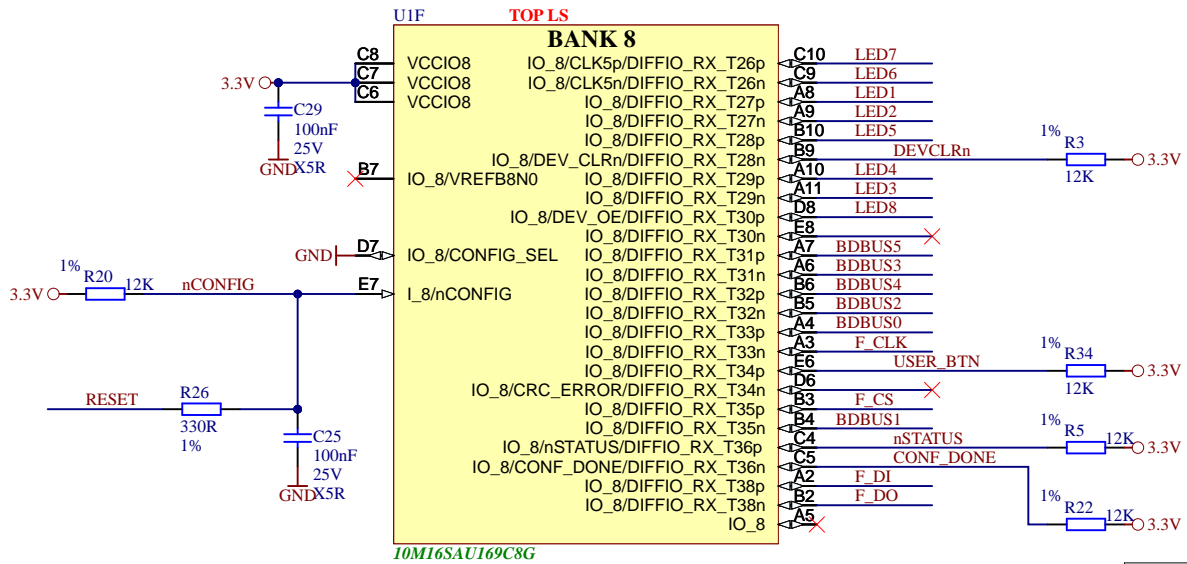
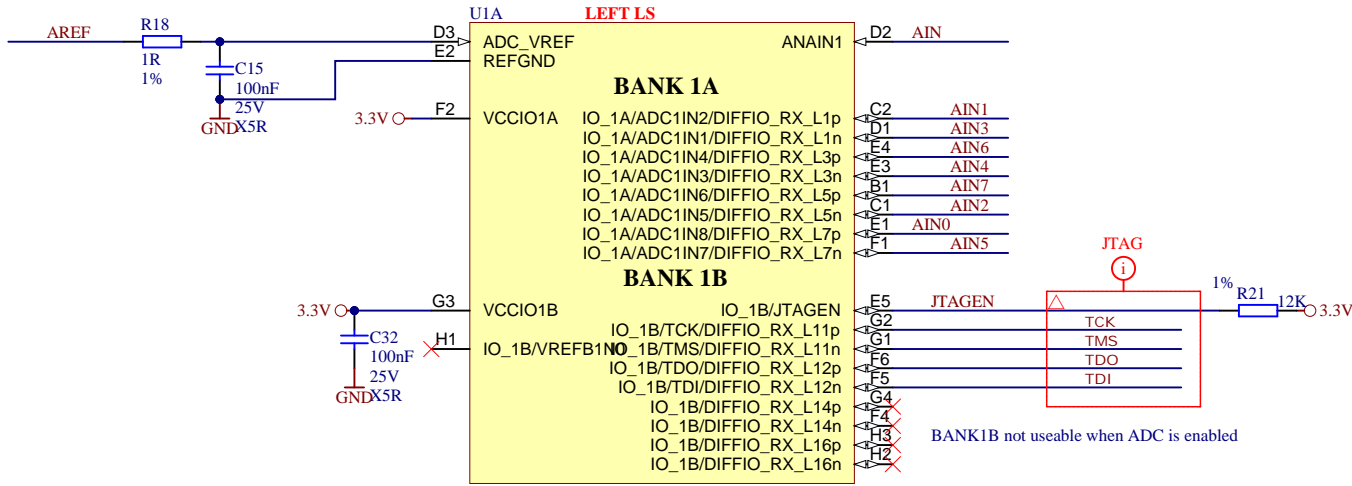
2

3

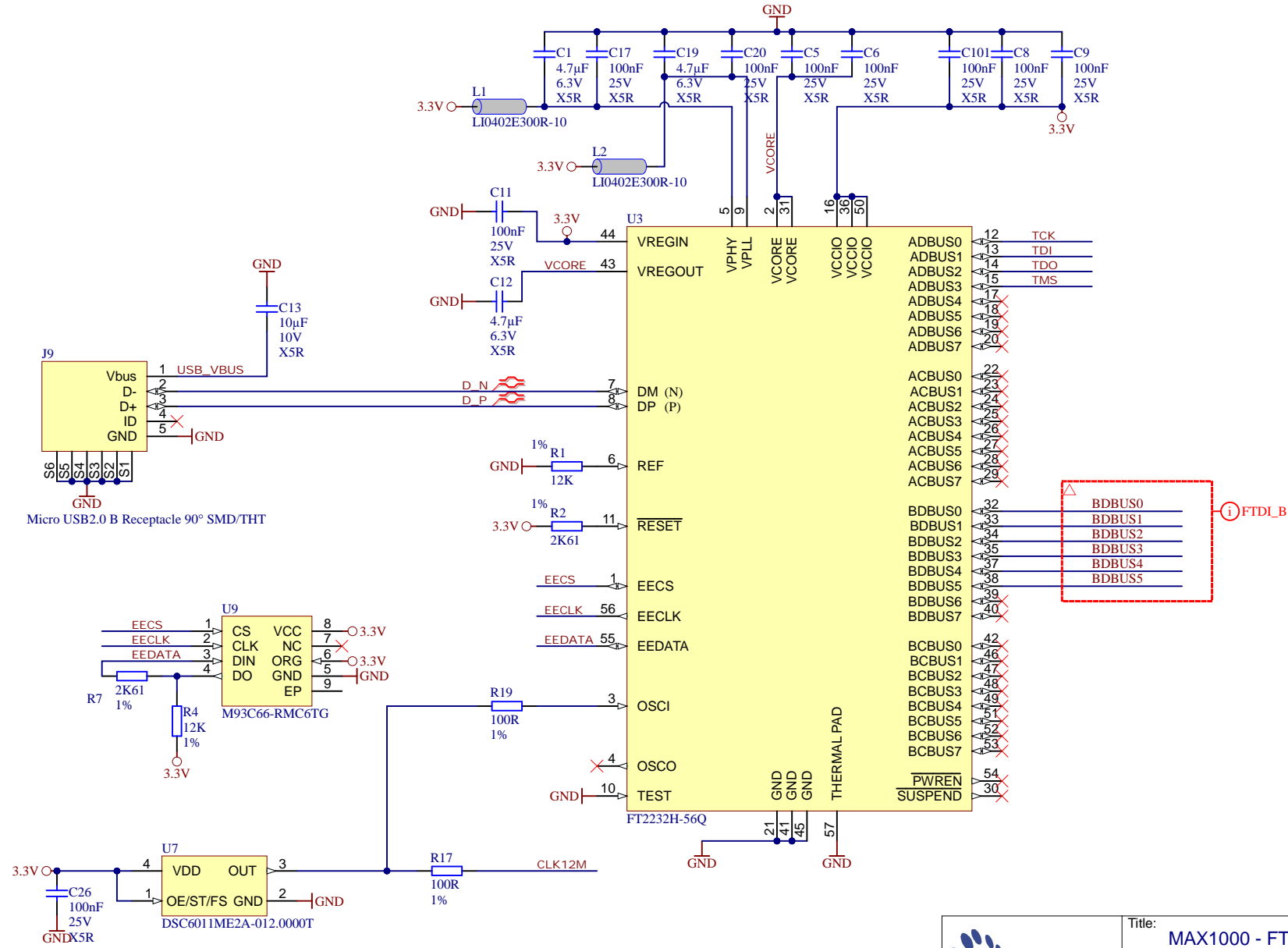
4



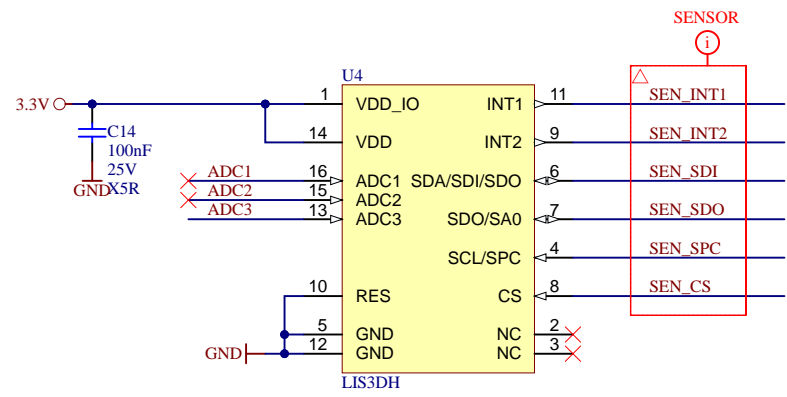
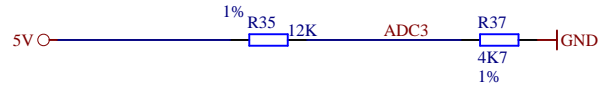
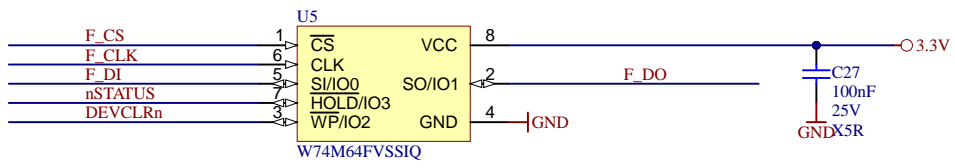
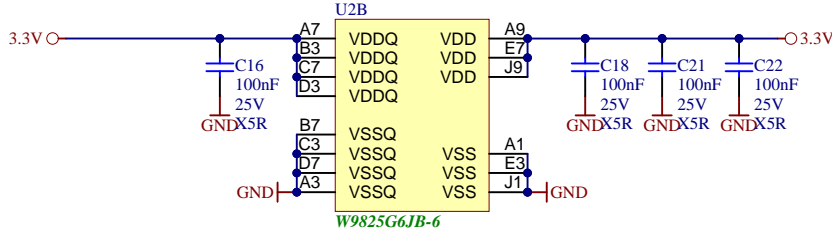
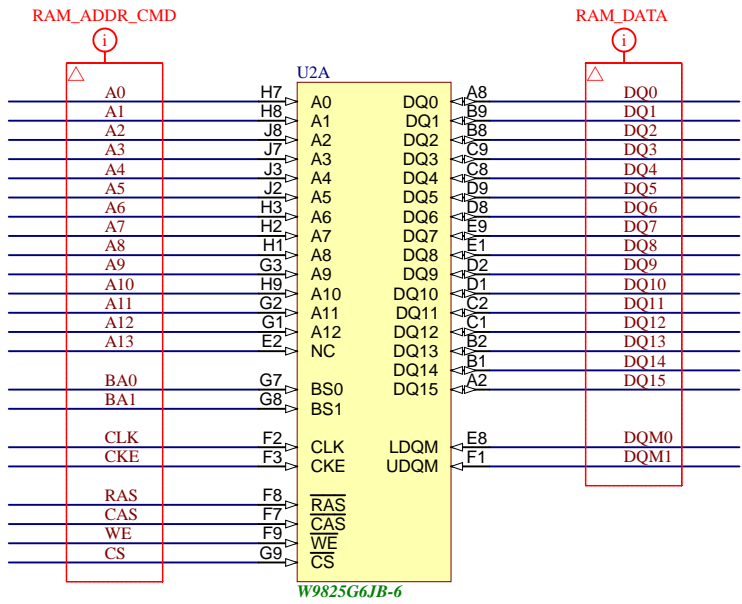
Title: MAX1000 - FPGA		
A4	Number: TEI0001 16-C8A	Rev. 03
Date: 2017-09-07	Copyright: Trenz Electronic GmbH	Page3 of 8
Filename: FPGA.SchDoc		



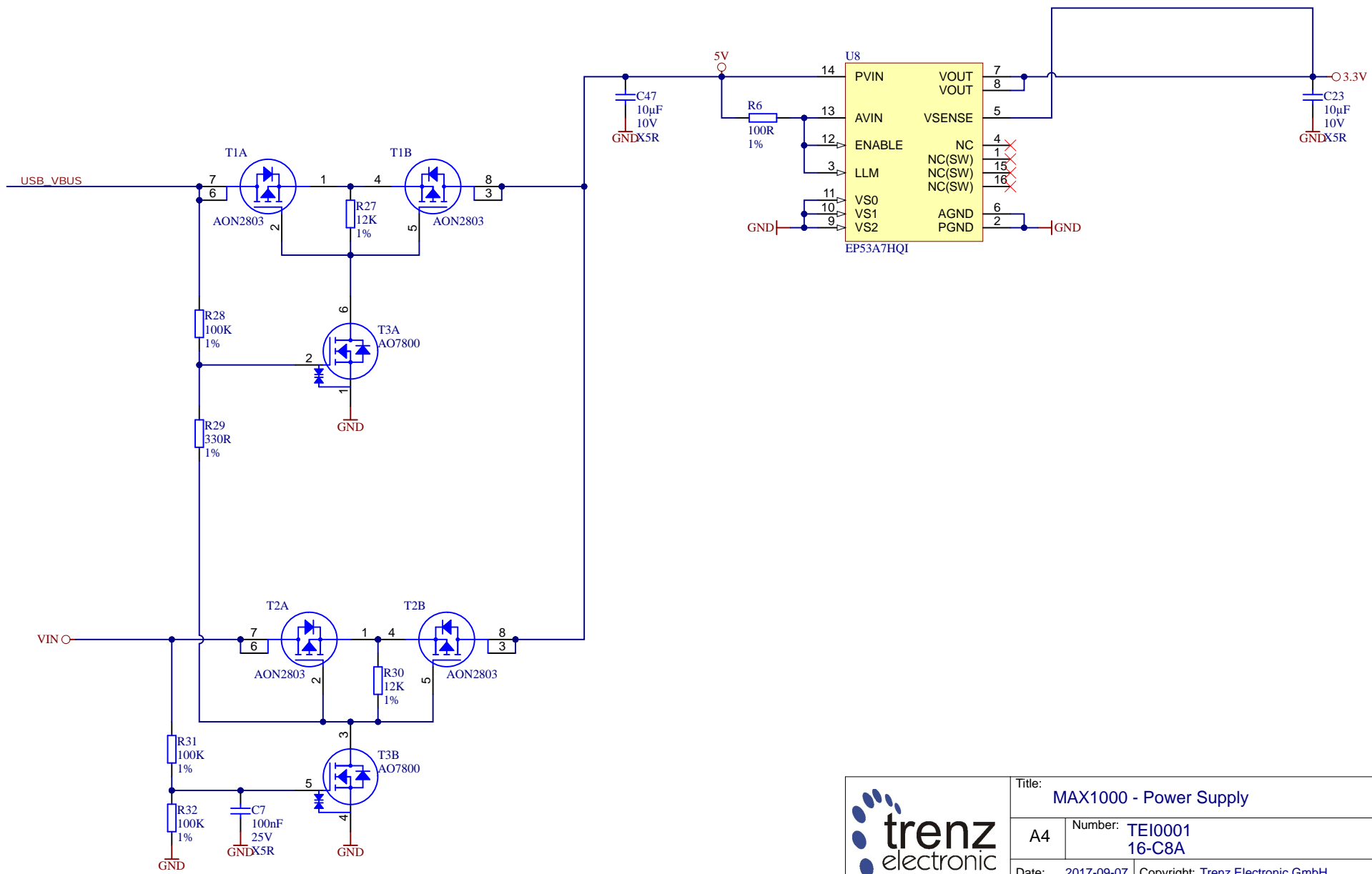
		Title: MAX1000 - FPGA_MISC	
		A4	Number: TEI0001 16-C8A
Date: 2017-09-07		Copyright: Trenz Electronic GmbH	Rev. 03
Filename: FPGA_MISC.SchDoc		Page 4 of 8	



Title: MAX1000 - FTDI		
A4	Number: TEI0001 16-C8A	Rev. 03
Date: 2017-09-07	Copyright: Trenz Electronic GmbH	Page5 of 8
Filename: FTDI.SchDoc		



Title: <b>MAX1000 - Sensor_Flash_SDRAM</b>		
A4	Number: <b>TEI0001 16-C8A</b>	Rev. <b>03</b>
Date: <b>2017-09-07</b>	Copyright: <b>Trenz Electronic GmbH</b>	Page <b>6</b> of <b>8</b>
Filename: <b>SENSOR_Flash_RAM.SchDoc</b>		



Title: MAX1000 - Power Supply		
A4	Number: TEI0001 16-C8A	Rev. 03
Date: 2017-09-07	Copyright: Trenz Electronic GmbH	Page 7 of 8
Filename: PowerSupply.SchDoc		

1

2

3

4

CHANGES REV01 to REV02

- 1) Added resistors R35, R37
- 2) Changed SPI-flash on W74M64FVSSIQ (populated in REV02)
- 3) Moved nets D0,D1,D4,D5 from bank 1B to banks 5 and 2
- 4) Optimized connections into banks 1A, 1B, 2, 5,6
- 5) Changed pin-out on a connector J4
- 6) Added a pin-header J3
- 7) Changed a LEDs

CHANGES REV02a (29.08.2017)

- 1) Updated schematic symbol of U1

CHANGES REV03

- 1) Buttons S1 and S2 replaced from KMS221GLFS to KMS221GPLFS

A

A

B

B

C

C

D


D

1

2

3

4

	Title: <b>MAX1000</b>		
	A4	Number: <b>TEI0001 16-C8A</b>	Rev. <b>03</b>
	Date: <b>2017-09-07</b>	Copyright: <b>Trenz Electronic GmbH</b>	Page <b>8</b> of <b>8</b>
	Filename: <b>Revision_Changes.SchDoc</b>		