

1

2

3

4

U_A-Headers
A-Headers.SchDoc

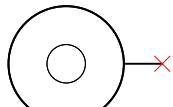
U_FPGA
FPGA.SchDoc

U_PowerSupply
PowerSupply.SchDoc

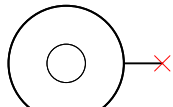
U_FTDI
FTDI.SchDoc

U_FPGA_MISC
FPGA_MISC.SchDoc

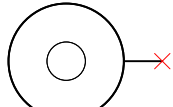
U_SENSOR_Flash_RAM
SENSOR_Flash_RAM.SchDoc



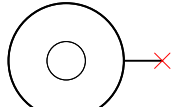
Mount.Hole 2mm (unplated)



Mount.Hole 2mm (unplated)



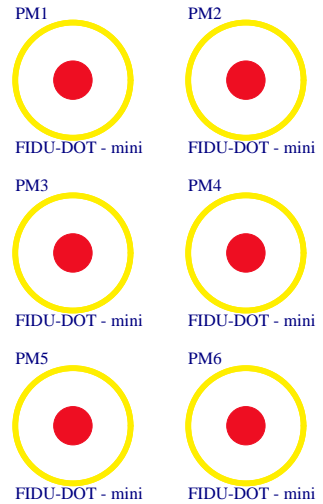
Mount.Hole 2mm (unplated)



Mount.Hole 2mm (unplated)

LOGO1
TE Logo PRINT Layer
LOGO PRINT

Serial
Serialnumber 6,3 x 6.3mm



Assembly variant	DBC83A
Created by	VT
Modified by	VT
Modified at	2022-04-28
SVN Revision	13314

Title: MAX1000		
A4	Number: TEI0001 DBC83A	Rev. 03
Date: 2017-09-07	Copyright: Trenz Electronic GmbH	Page1 of 8
Filename: TEI0001.SchDoc		

1

2

3

4

A

A

B

B

C

C

D

D

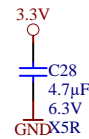
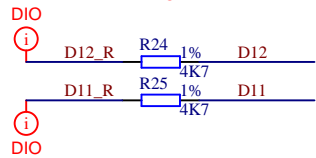
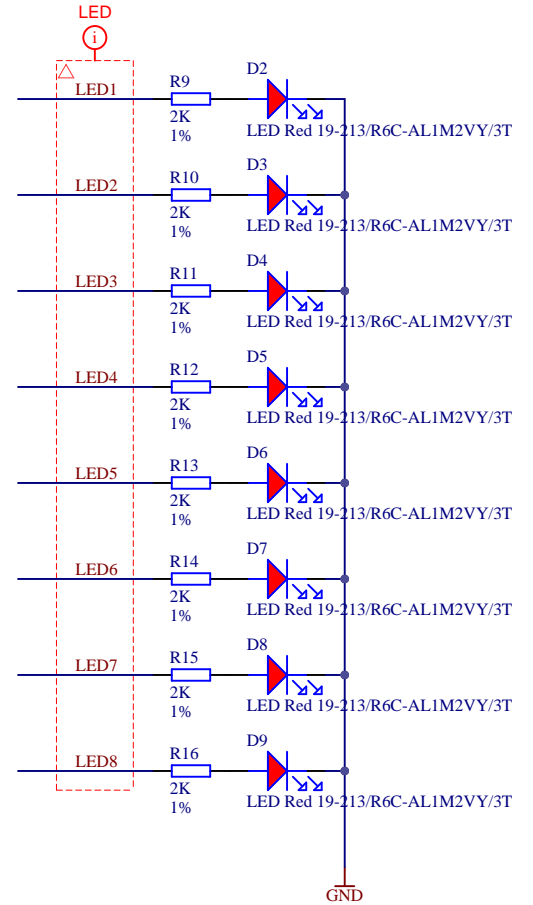
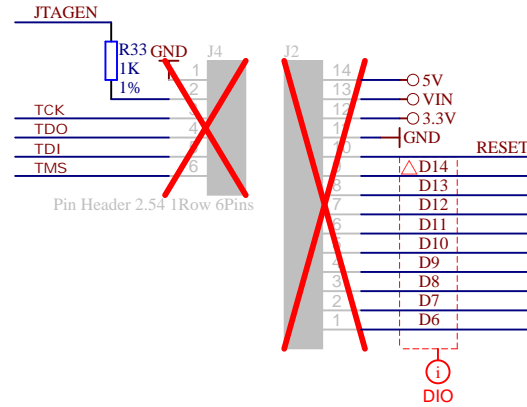
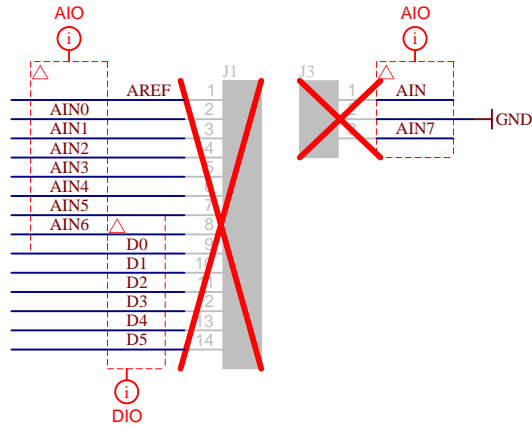
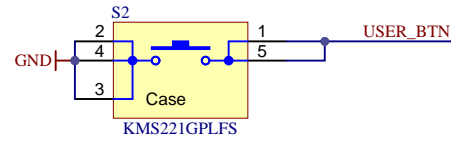
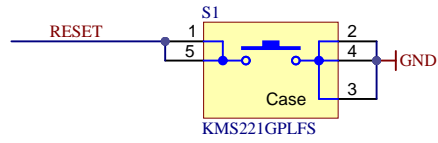
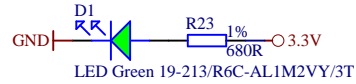
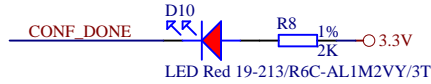


1

2

3

4



DUAL Function: JTAG or USER I/O if FT2232H not installed



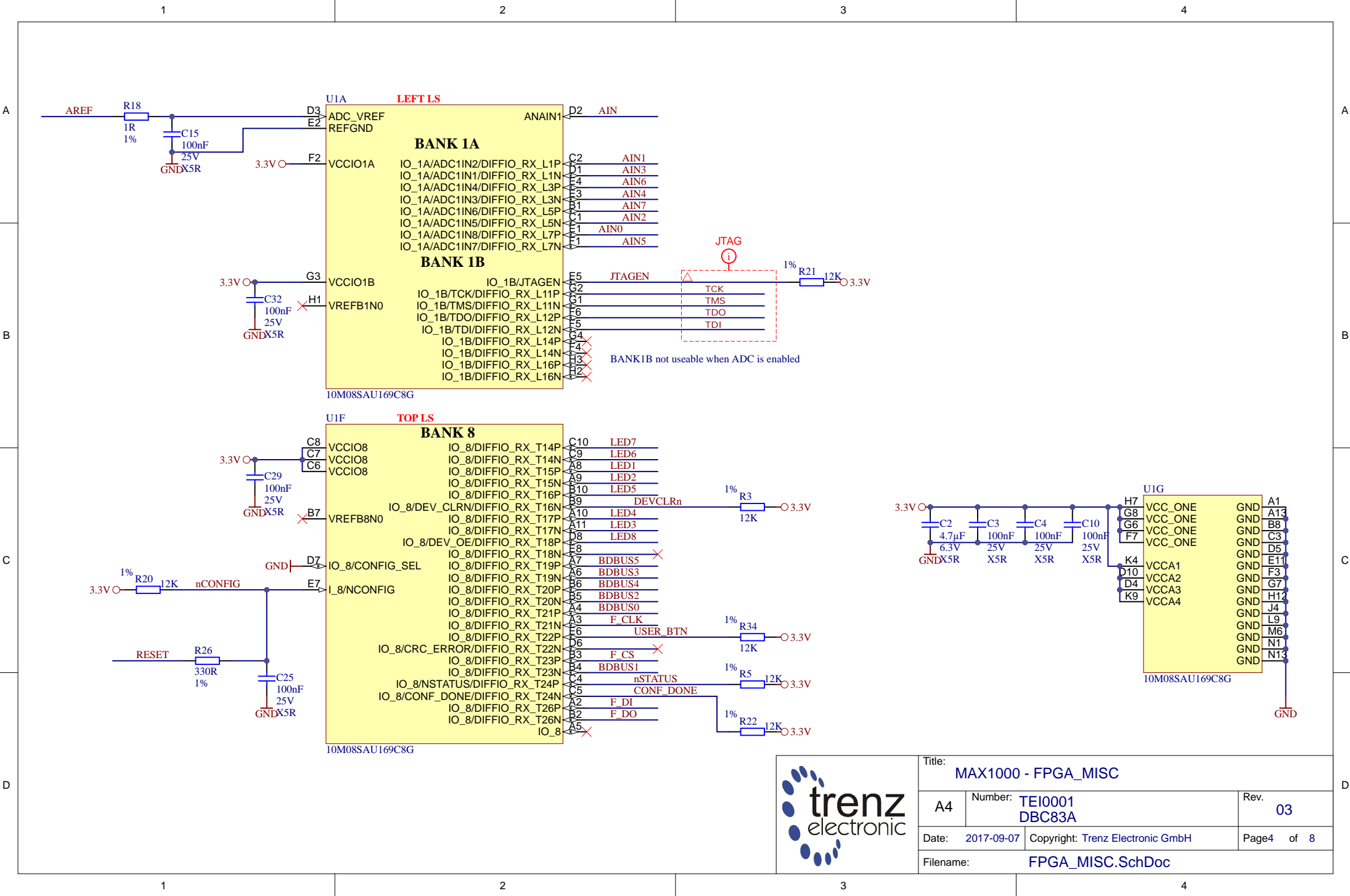
Title: MAX1000 - Headers		
A4	Number: TEI0001 DBC83A	Rev. 03
Date: 2017-09-07	Copyright: Trenz Electronic GmbH	Page2 of 8
Filename: A-Headers.SchDoc		

1

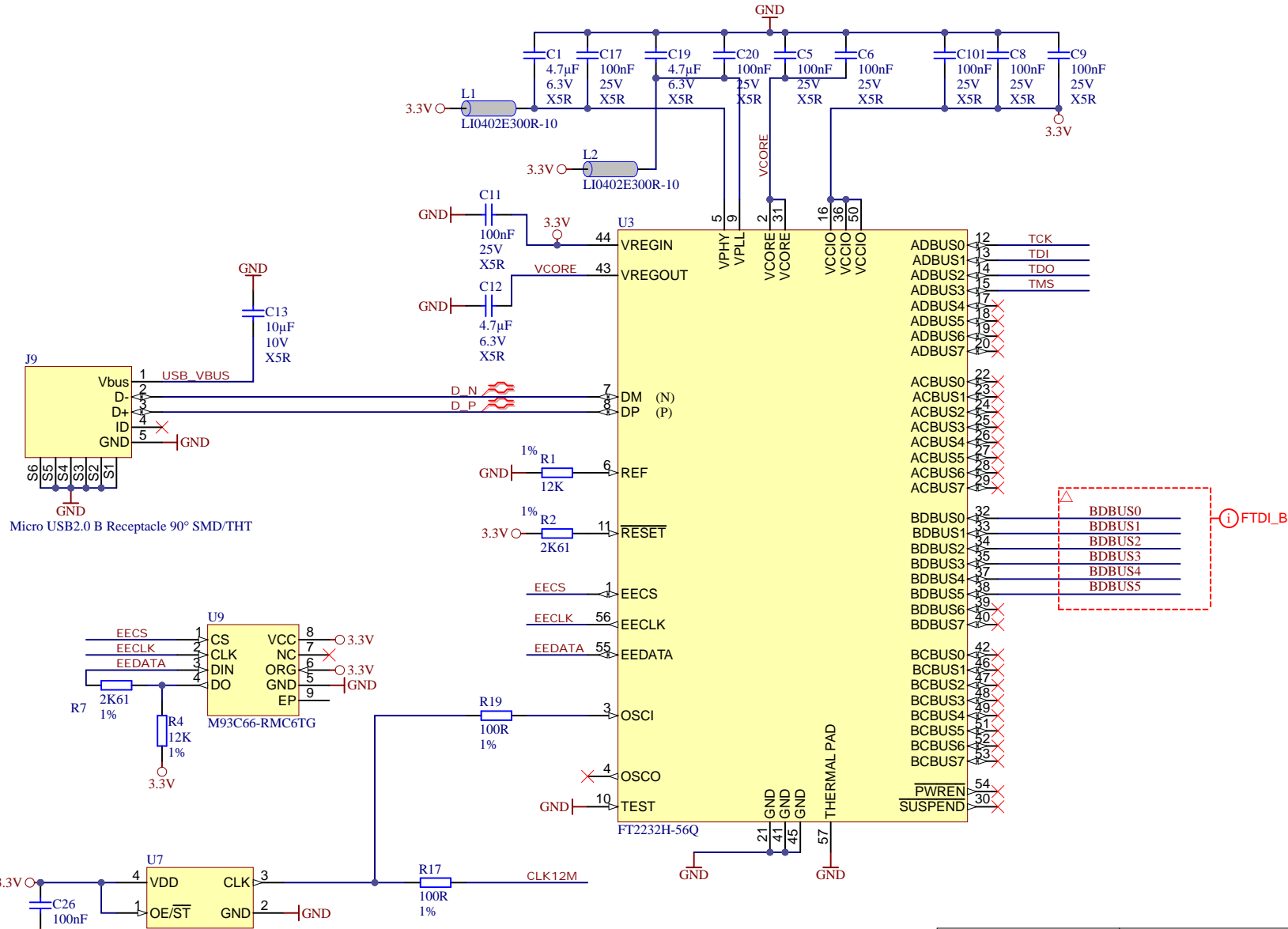
2


3

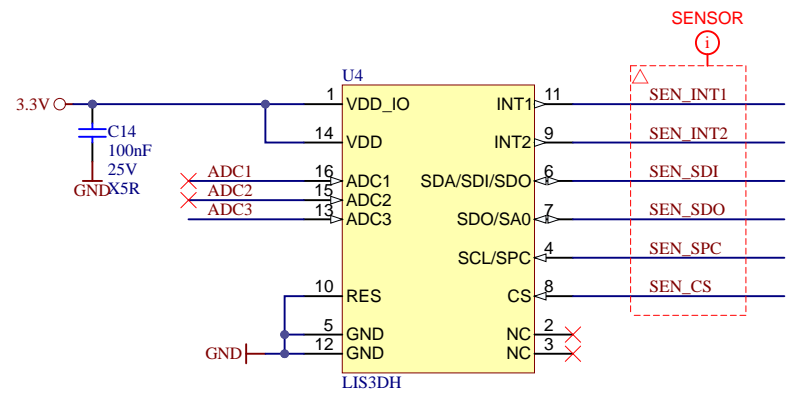
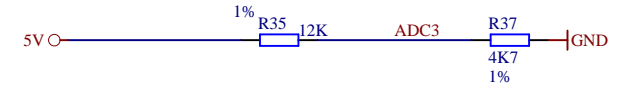
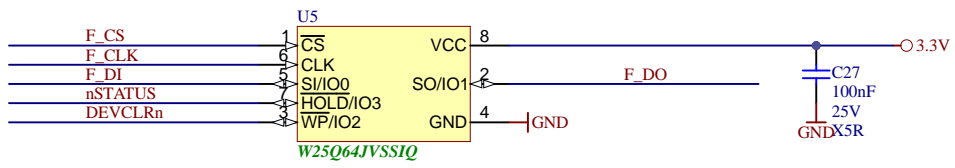
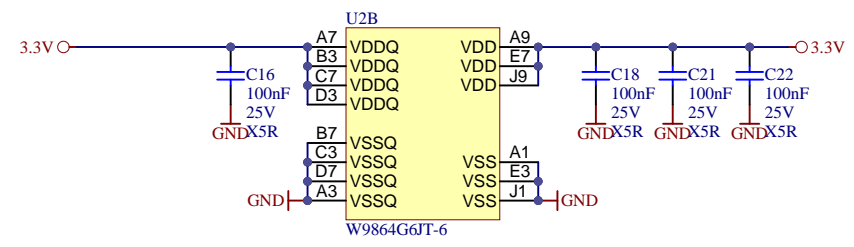
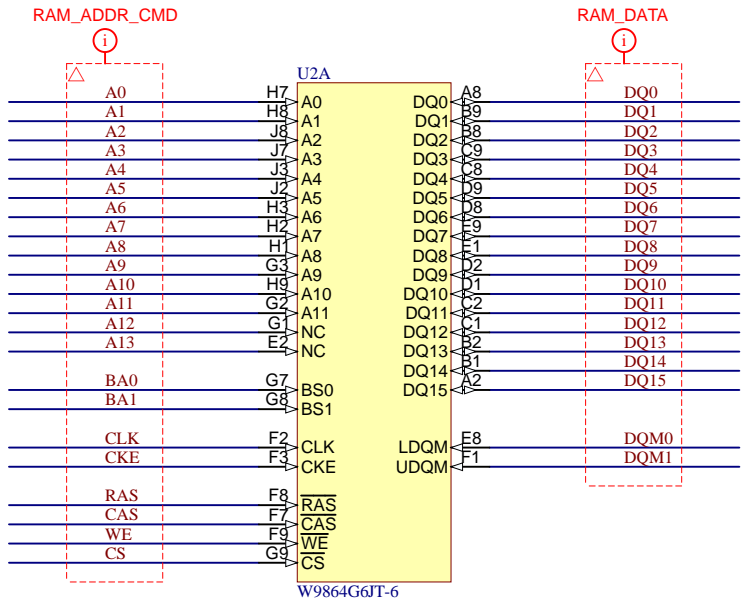

4



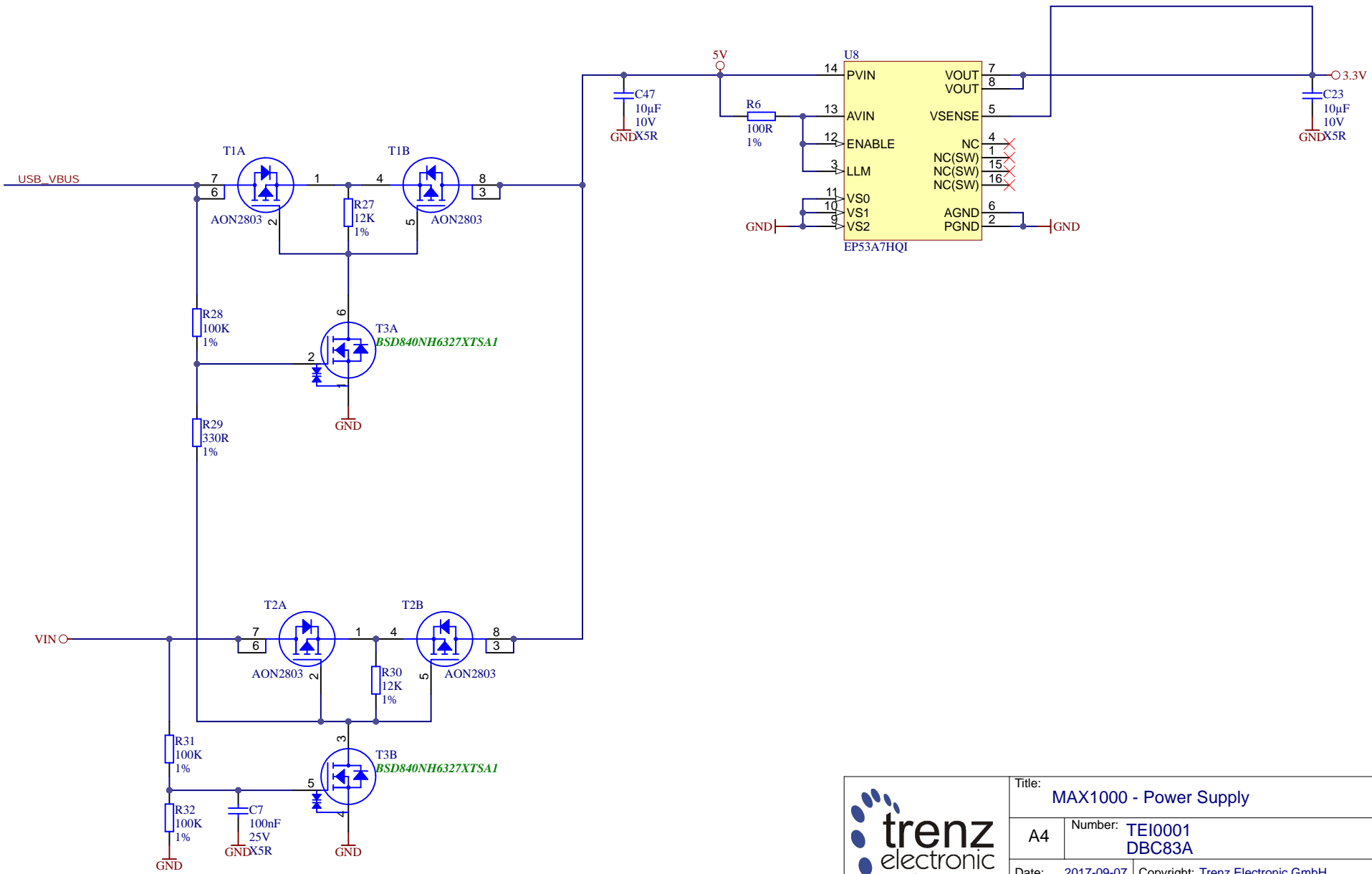
Title: MAX1000 - FPGA_MISC		
A4	Number: TEI0001 DBC83A	Rev. 03
Date: 2017-09-07	Copyright: Trenz Electronic GmbH	Page 4 of 8
Filename: FPGA_MISC.SchDoc		



			Title: MAX1000 - FTDI	
A4	Number: TEI0001 DBC83A	Rev. 03		
Date: 2017-09-07	Copyright: Trenz Electronic GmbH	Page5 of 8		
Filename: FTDI.SchDoc				

Title: MAX1000 - Sensor_Flash_SDRAM		
A4	Number: TEI0001 DBC83A	Rev. 03
Date: 2017-09-07	Copyright: Trenz Electronic GmbH	Page 6 of 8
Filename: SENSOR_Flash_RAM.SchDoc		



Title: MAX1000 - Power Supply		
A4	Number: TEI0001 DBC83A	Rev. 03
Date: 2017-09-07	Copyright: Trenz Electronic GmbH	Page 7 of 8
Filename: PowerSupply.SchDoc		

1

2

3

4

CHANGES REV01 to REV02

- 1) Added resistors R35, R37
- 2) Changed SPI-flash on W74M64FVSSIQ (populated in REV02)
- 3) Moved nets D0,D1,D4,D5 from bank 1B to banks 5 and 2
- 4) Optimized connections into banks 1A, 1B, 2, 5,6
- 5) Changed pin-out on a connector J4
- 6) Added a pin-header J3
- 7) Changed a LEDs

CHANGES REV02a (29.08.2017)

- 1) Updated schematic symbol of U1

CHANGES REV03

- 1) Buttons S1 and S2 replaced from KMS221GLFS to KMS221GPLFS

A

A

B

B

C

C

D

D

1

2

3

4



Title: MAX1000		
A4	Number: TEI0001 DBC83A	Rev. 03
Date: 2017-09-07	Copyright: Trenz Electronic GmbH	Page 8 of 8
Filename: Revision_Changes.SchDoc		