

1

2

3

4

A

A

B

B

C

C

D

D

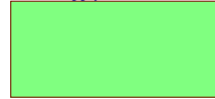
U_A-Headers
A-Headers.SchDoc



U_FPGA
FPGA.SchDoc



U_PowerSupply
PowerSupply.SchDoc



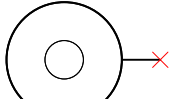
U_FTDI
FTDI.SchDoc



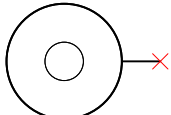
U_FPGA_MISC
FPGA_MISC.SchDoc



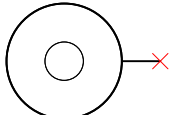
U_SENSOR_Flash_RAM
SENSOR_Flash_RAM.SchDoc



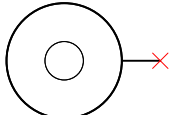
Mount.Hole 2mm (unplated)



Mount.Hole 2mm (unplated)



Mount.Hole 2mm (unplated)



Mount.Hole 2mm (unplated)

UKCA

UKCA Logo on Top Overlay

UKCA-TOOVERLAY

LOGO1

TE Logo PRINT Layer

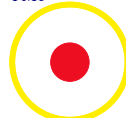
LOGO PRINT

Serial

Serial

Serialnumber 6,3 x 6.3mm

PM1



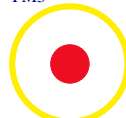
FIDU-DOT - mini

PM2



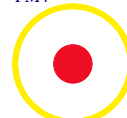
FIDU-DOT - mini

PM3



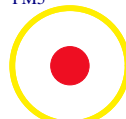
FIDU-DOT - mini

PM4



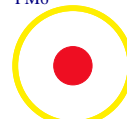
FIDU-DOT - mini

PM5



FIDU-DOT - mini

PM6



FIDU-DOT - mini



Assembly variant	FBC84A
Created by	VT
Modified by	VT
Modified at	2022-04-28
SVN Revision	14122 [Locally Modified]

Title: MAX1000		
A4	Number: TEI0001 FBC84A	Rev. 04
Date: 12.01.2023	Copyright: Trenz Electronic GmbH	Page 1 of 8
Filename: TEI0001.SchDoc		

1

2

3

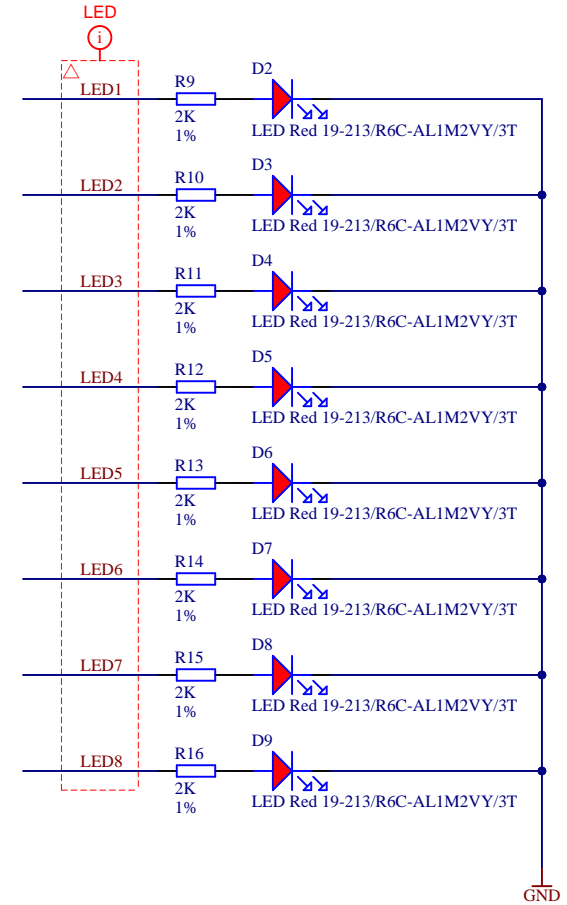
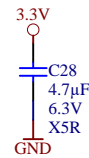
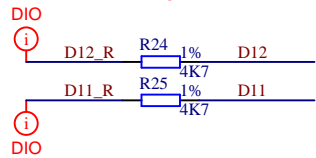
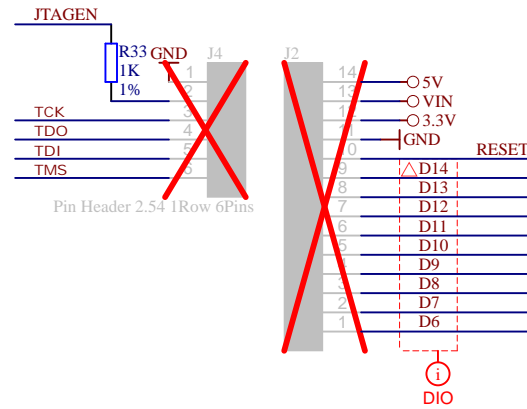
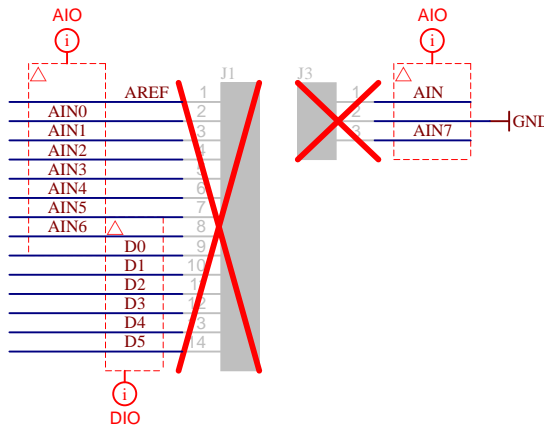
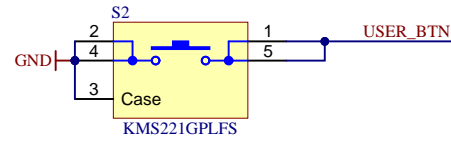
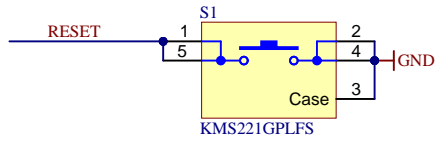
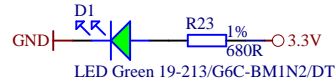
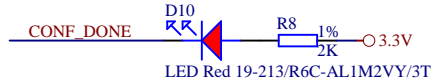
4

1

2

3

4



DUAL Function: JTAG or USER I/O if FT2232H not installed



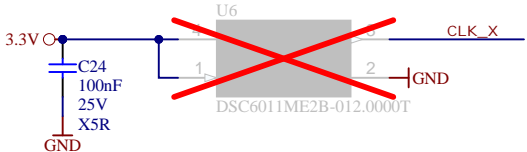
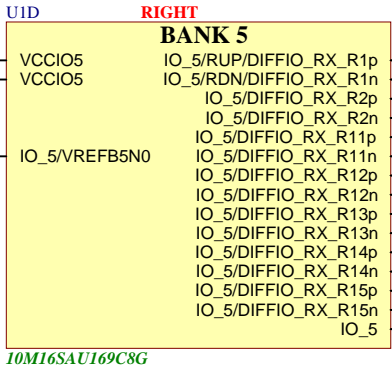
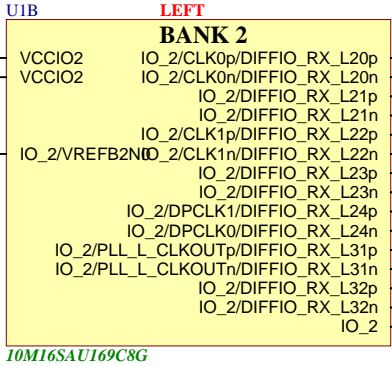
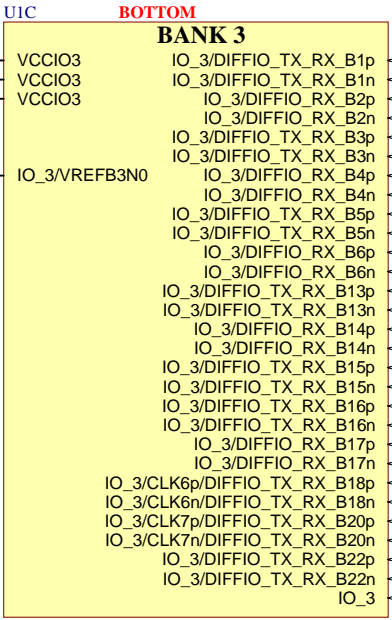
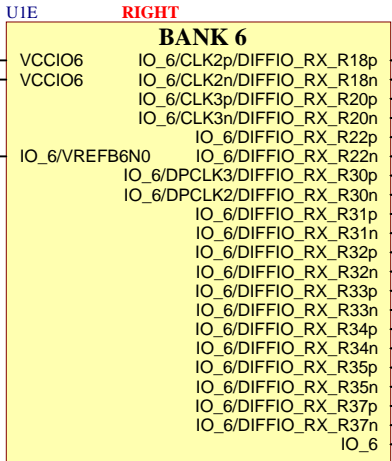
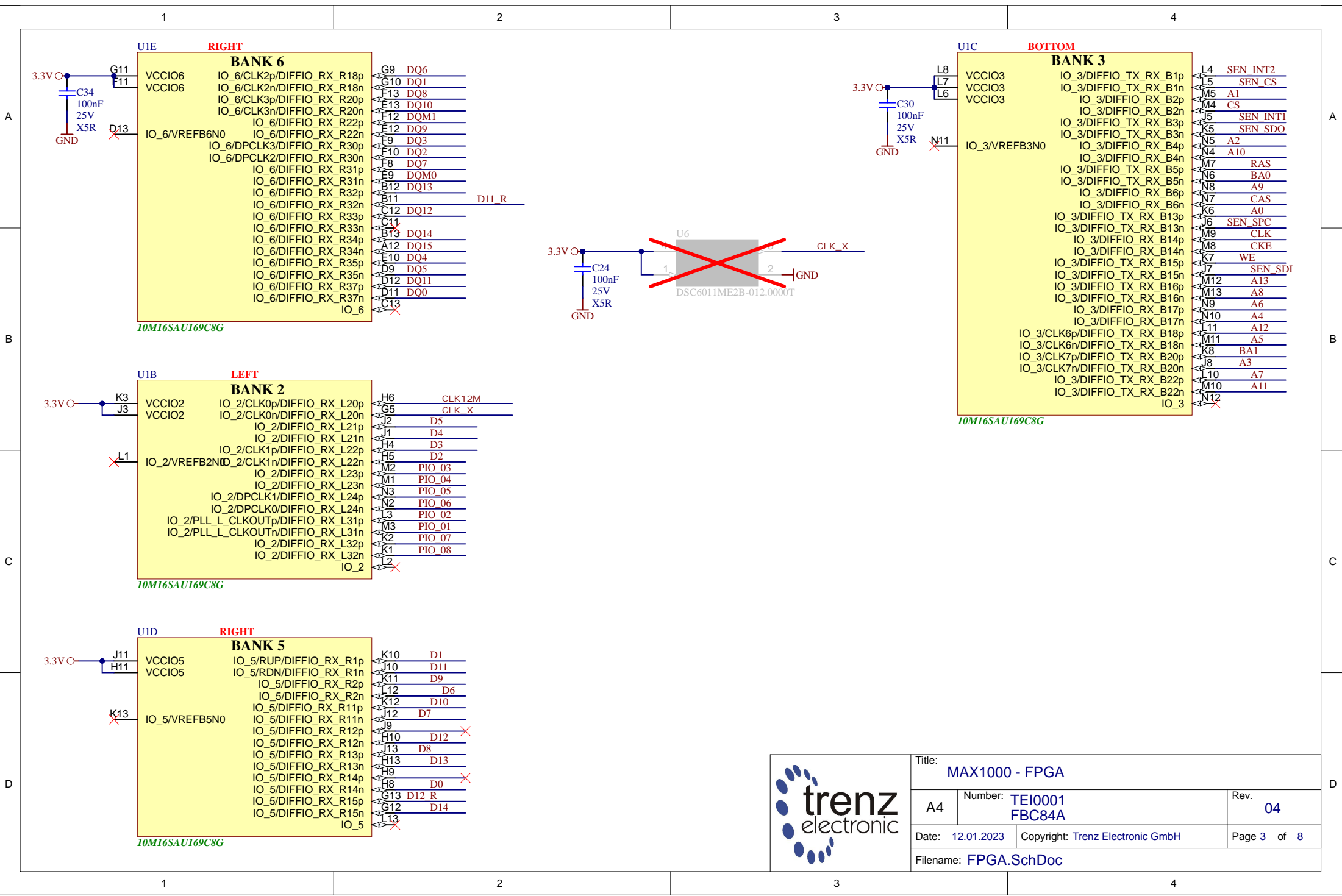
Title: MAX1000 - Headers		
A4	Number: TEI0001 FBC84A	Rev. 04
Date: 12.01.2023	Copyright: Trenz Electronic GmbH	Page 2 of 8
Filename: A-Headers.SchDoc		

1

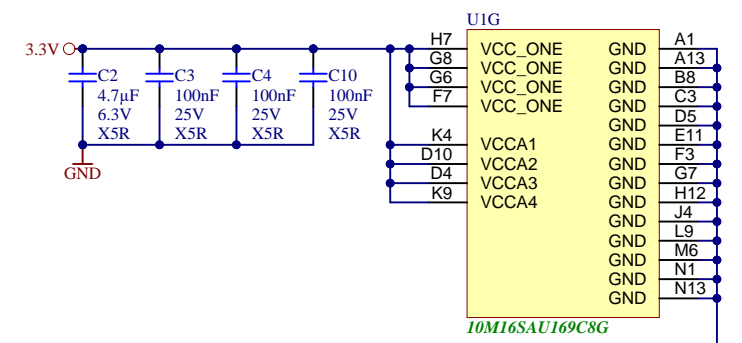
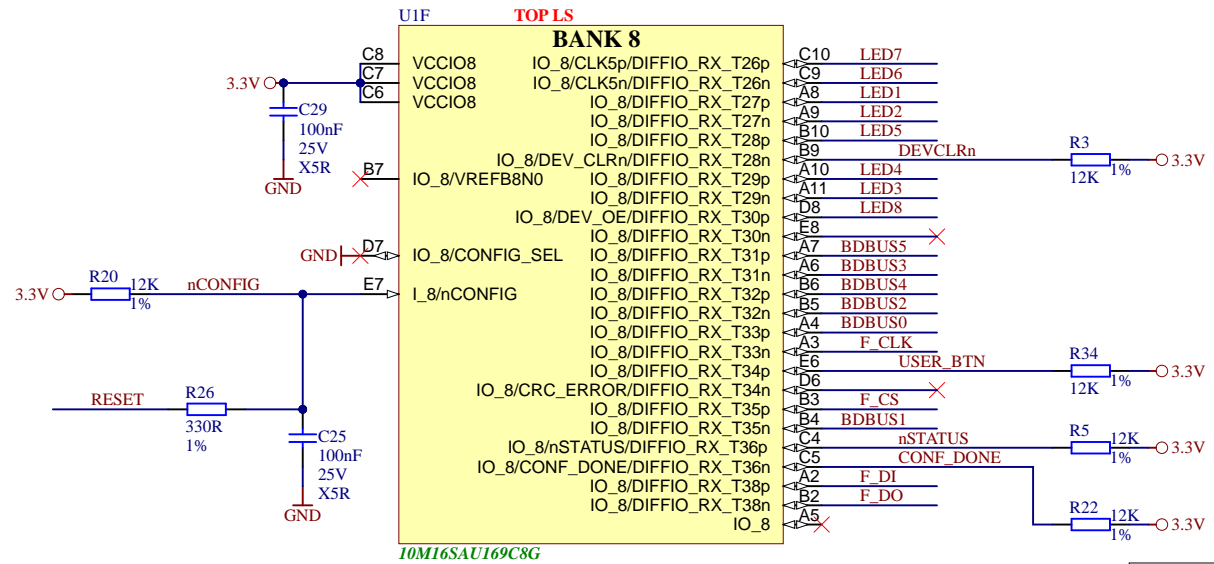
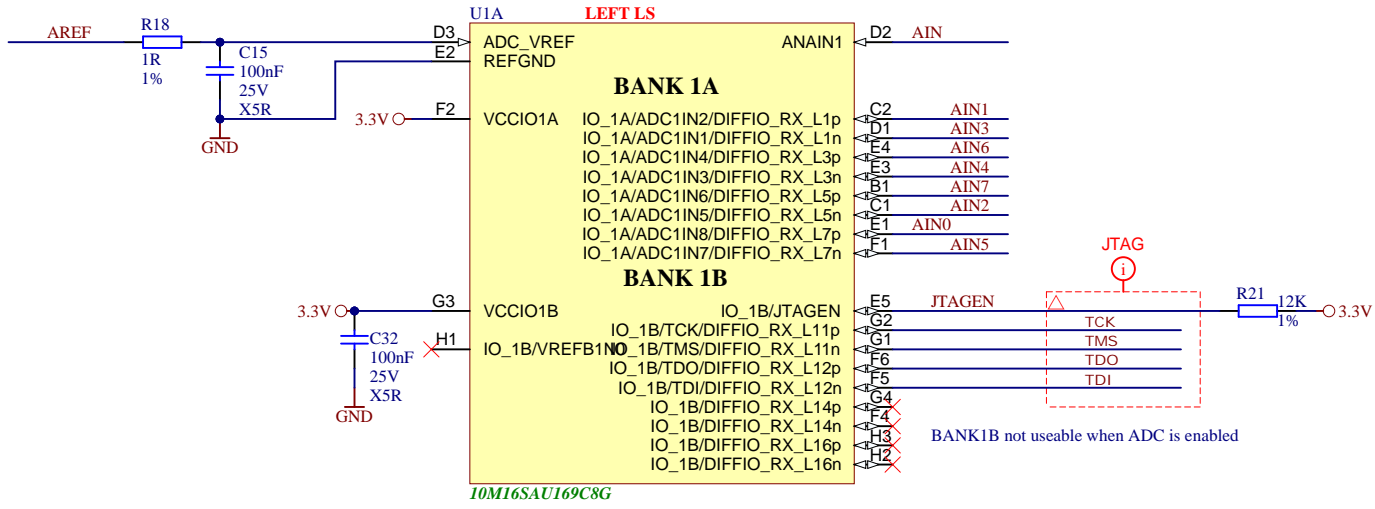
2

3

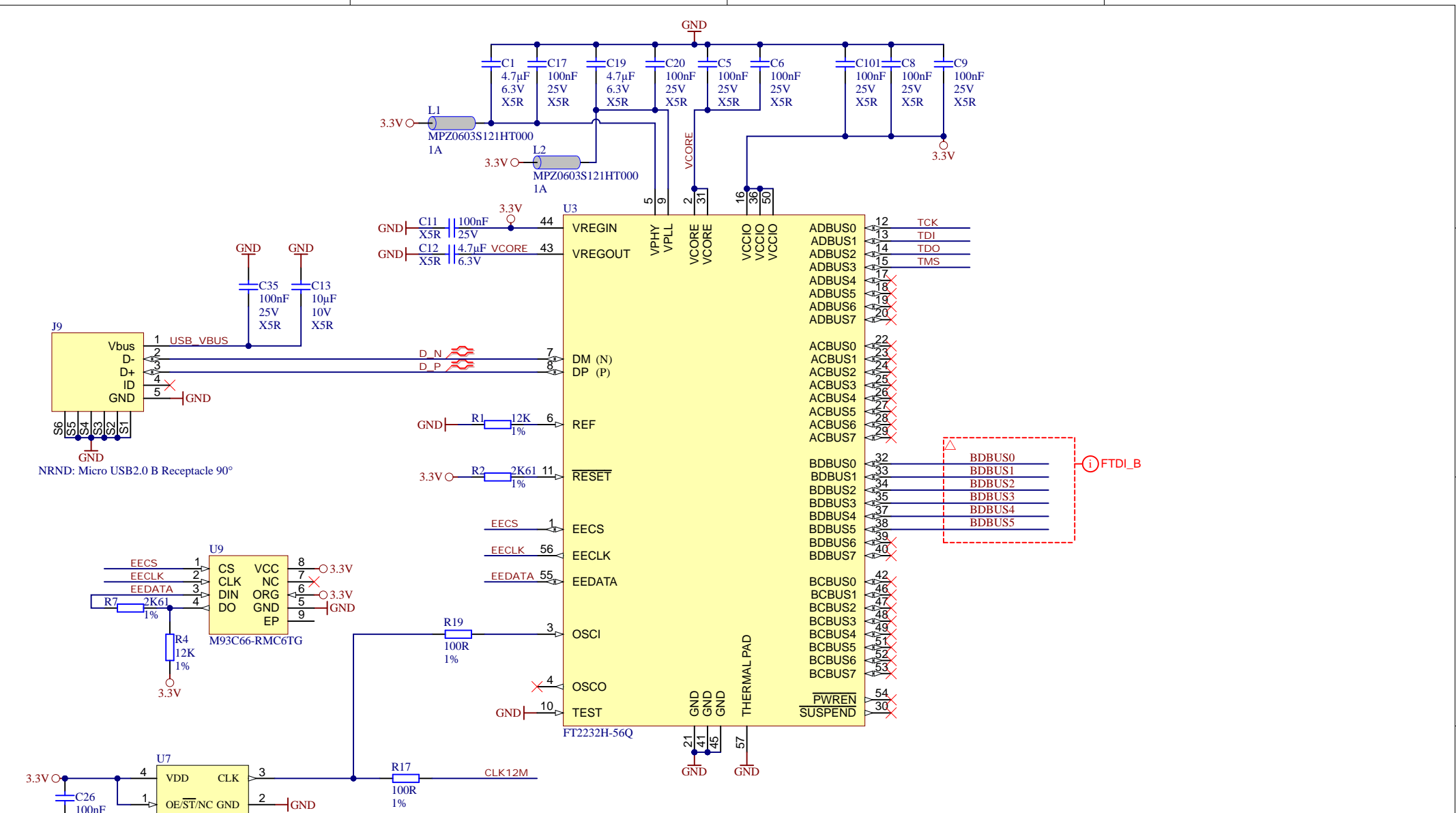
4



Title: MAX1000 - FPGA		
A4	Number: TEI0001 FBC84A	Rev. 04
Date: 12.01.2023	Copyright: Trenz Electronic GmbH	Page 3 of 8
Filename: FPGA.SchDoc		



Title: MAX1000 - FPGA_MISC		
A4	Number: TEI0001 FBC84A	Rev. 04
Date: 12.01.2023	Copyright: Trenz Electronic GmbH	Page 4 of 8
Filename: FPGA_MISC.SchDoc		



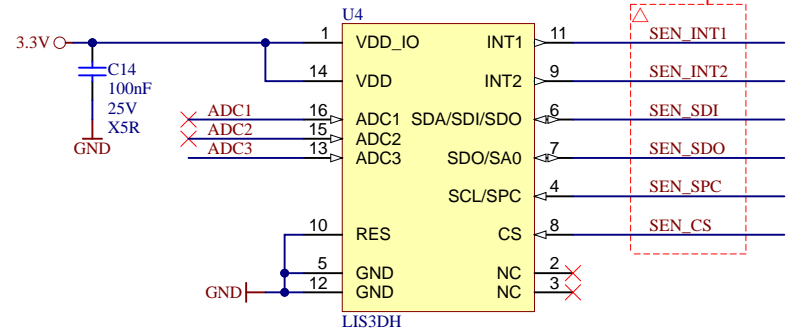
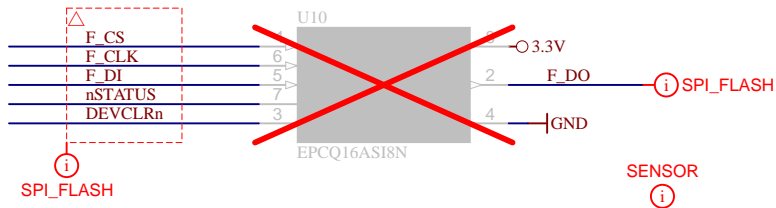
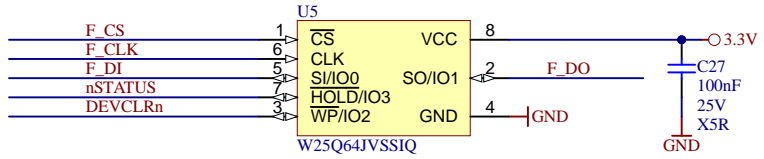
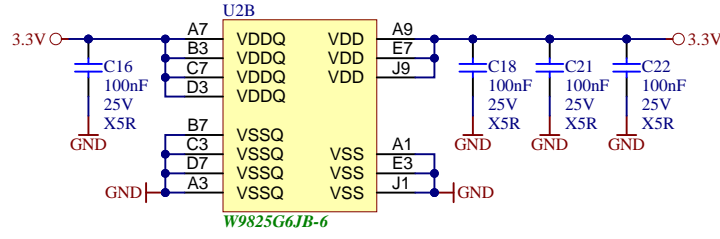
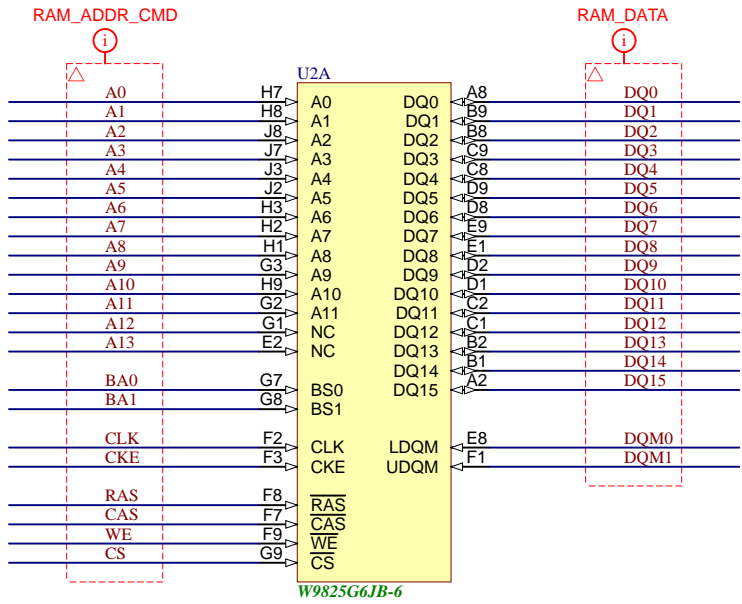
NRND: Micro USB 2.0 B Receptacle 90°

BDBUS0
BDBUS1
BDBUS2
BDBUS3
BDBUS4
BDBUS5

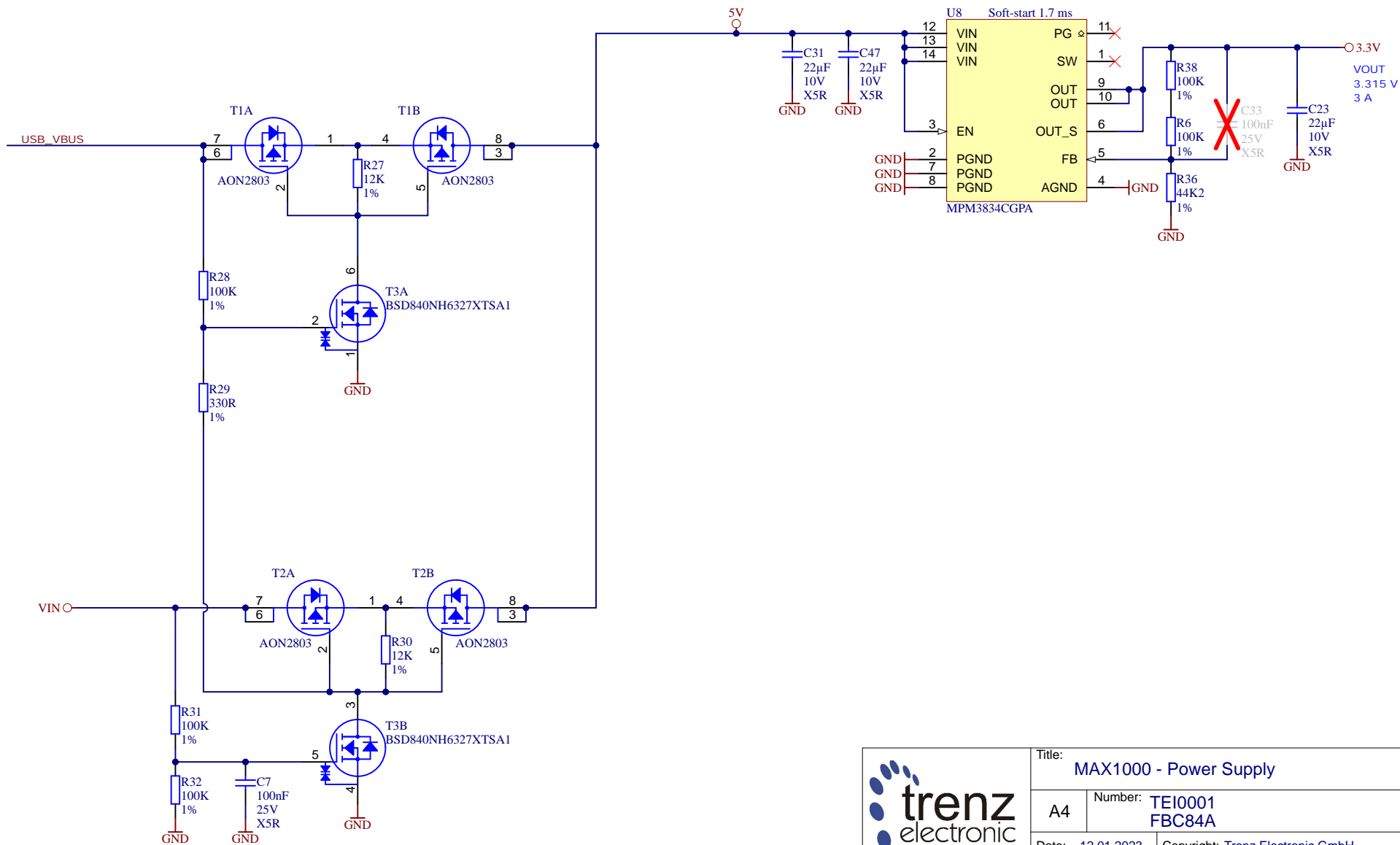
FTDI_B



Title: MAX1000 - FTDI		
A4	Number: TEI0001 FBC84A	Rev. 04
Date: 12.01.2023	Copyright: Trenz Electronic GmbH	Page 5 of 8
Filename: FTDI.SchDoc		




Title: MAX1000 - Sensor_Flash_SDRAM		
A4	Number: TEI0001 FBC84A	Rev. 04
Date: 12.01.2023	Copyright: Trenz Electronic GmbH	Page 6 of 8
Filename: SENSOR_Flash_RAM.SchDoc		



Title: MAX1000 - Power Supply		
A4	Number: TEI0001 FBC84A	Rev. 04
Date: 12.01.2023	Copyright: Trenz Electronic GmbH	Page 7 of 8
Filename: PowerSupply.SchDoc		

REV	Description	
-01	Initial revision	
-02	<ul style="list-style-type: none"> 1) Added resistors R35, R37. 2) Changed SPI-flash on W74M64FVSSIQ (populated in REV02). 3) Moved nets D0, D1, D4, and D5 from bank1B to banks 5 and 2. 4) Optimized connections into banks 1A, 1B, 2, 5, and 6. 5) Changed pin-out on connector J4. 6) Added pin-header J3. 7) Changed LEDs. 	
-02A (29.08.2017)	Updated schematic symbol of U1.	
-03	Replaced buttons S1 and S2 from KMS221GLFS to KMS221GPLFS.	
-04	<ul style="list-style-type: none"> 1) Changed SPI flash U5 (EOL) to W25Q64 and added SPI flash option U10. 2) Replaced ferrid beads L1, L2, mems OSC U6 and added capacitor C35. 3) Changed Enpirion to MPS. 4) Added UKCA logo. 5) Library update. 	AL

	Title: MAX1000		
	A4	Number: TEI0001 FBC84A	Rev. 04
	Date: 12.01.2023	Copyright: Trenz Electronic GmbH	Page 8 of 8
	Filename: Revision_Changes.SchDoc		