

1

2

3

4

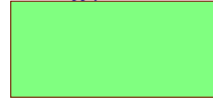
U_A-Headers
A-Headers.SchDoc



U_FPGA
FPGA.SchDoc



U_PowerSupply
PowerSupply.SchDoc



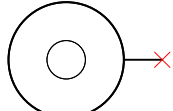
U_FTDI
FTDI.SchDoc



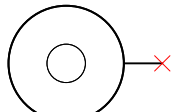
U_FPGA_MISC
FPGA_MISC.SchDoc



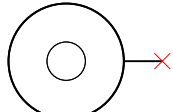
U_SENSOR_Flash_RAM
SENSOR_Flash_RAM.SchDoc



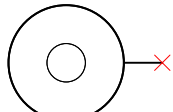
Mount.Hole 2mm (unplated)



Mount.Hole 2mm (unplated)



Mount.Hole 2mm (unplated)



Mount.Hole 2mm (unplated)



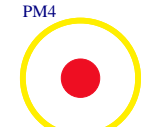
FIDU-DOT - mini



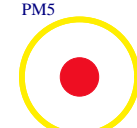
FIDU-DOT - mini



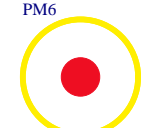
FIDU-DOT - mini



FIDU-DOT - mini



FIDU-DOT - mini



FIDU-DOT - mini

LOGO1



LOGO PRINT

Serial



Serialnumber 6,3 x 6.3mm



Title: CYC1000		
A4	Number: TEI0003 B	Rev. 02
Date: 2017-11-21	Copyright: Trenz Electronic GmbH	Page1 of 7
Filename: TEI0003.SchDoc		

1

2

3

4

1

2

3

4

A

A

B

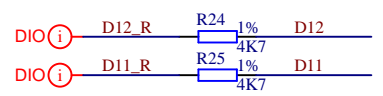
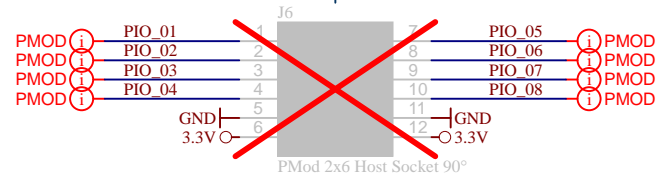
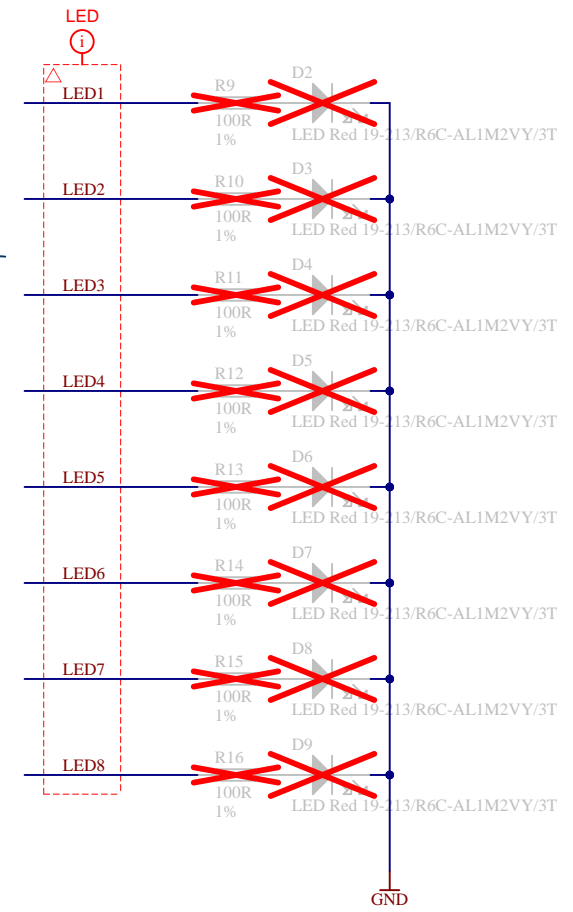
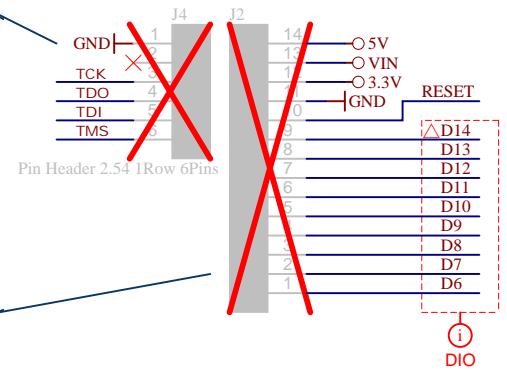
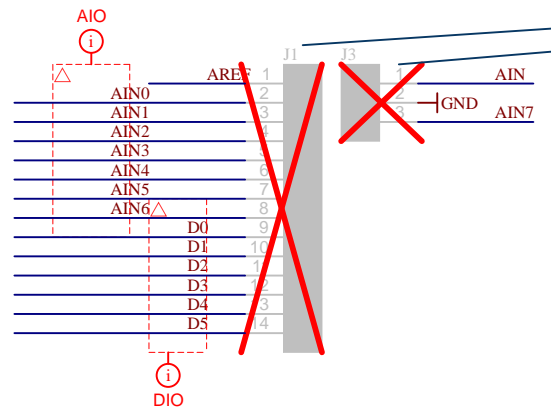
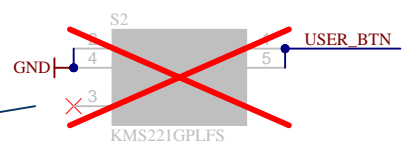
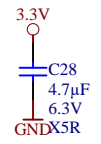
B

C

C

D

D



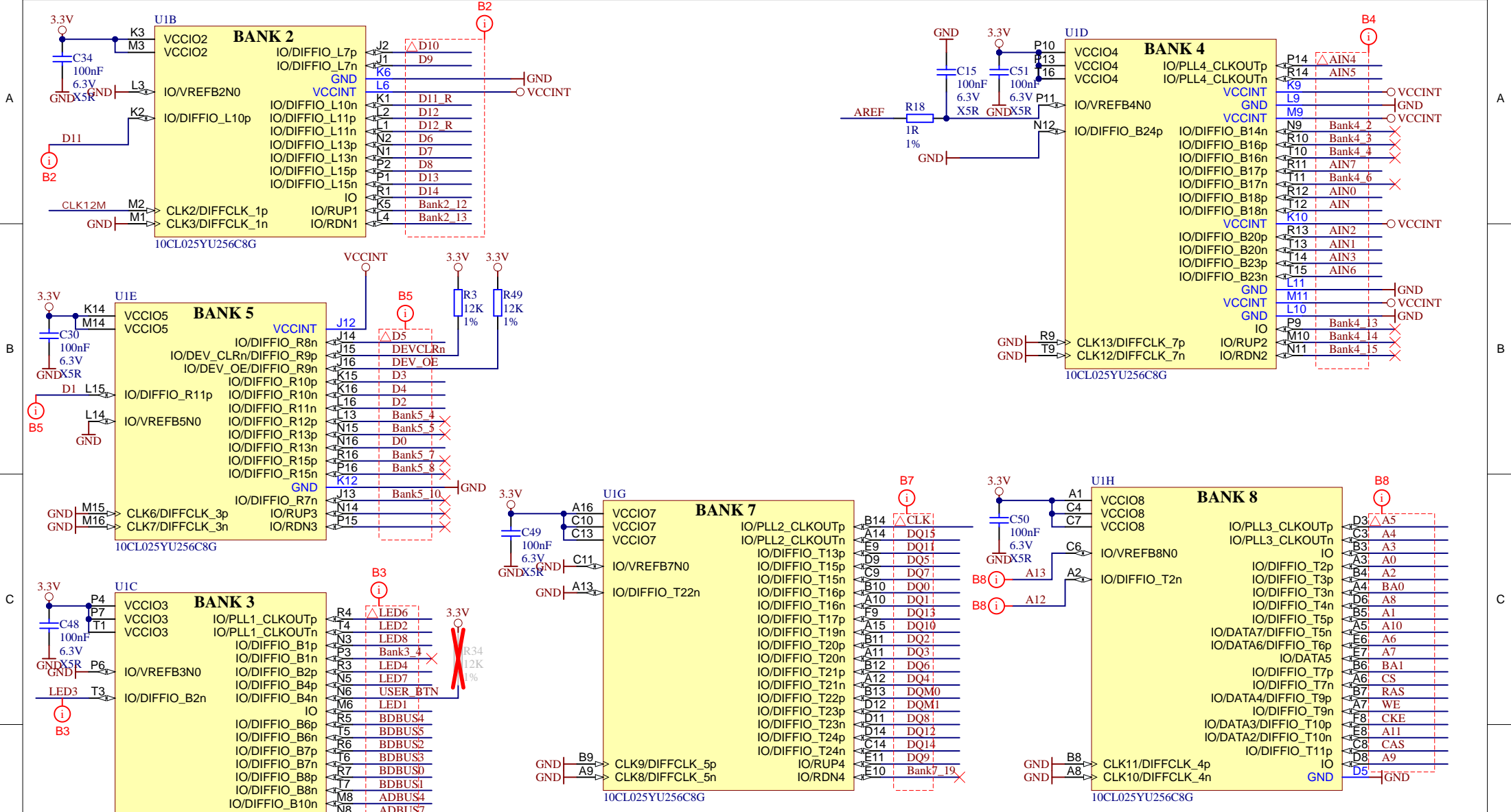
Title: CYC1000 - Headers		
A4	Number: TEI0003 B	Rev. 02
Date: 20.05.2022	Copyright: Trenz Electronic GmbH	Page2 of 7
Filename: A-Headers.SchDoc		


1

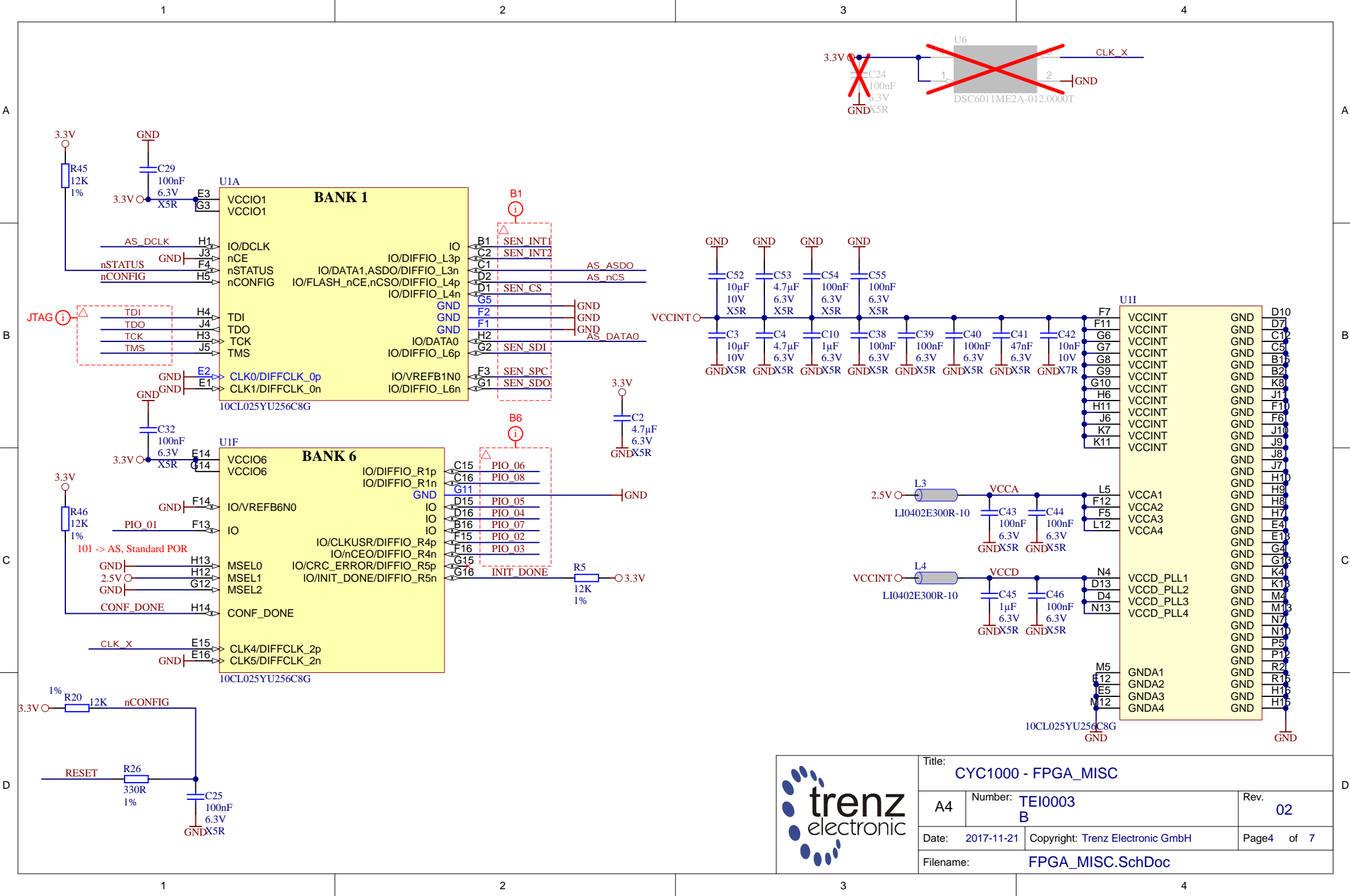
2

3

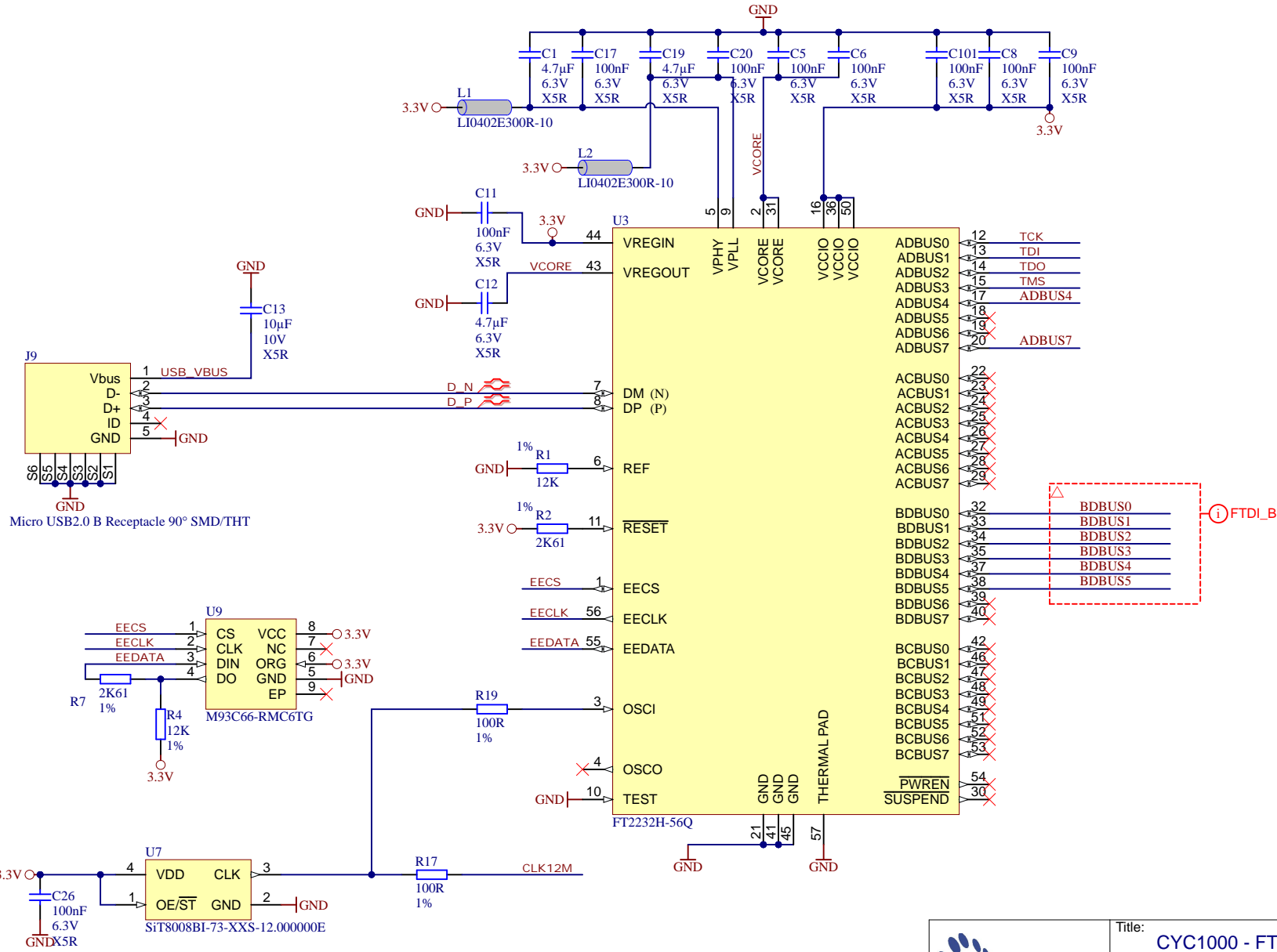
4



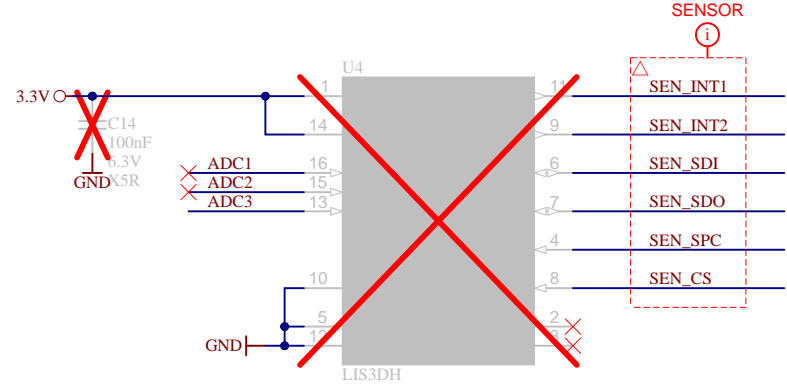
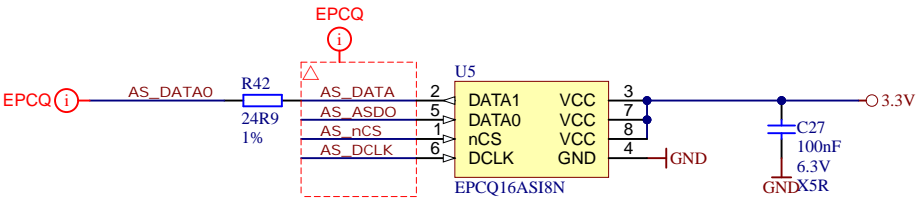
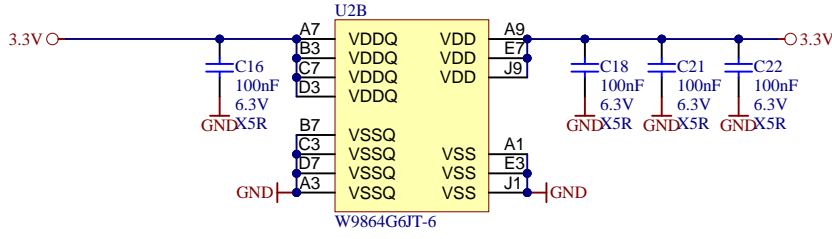
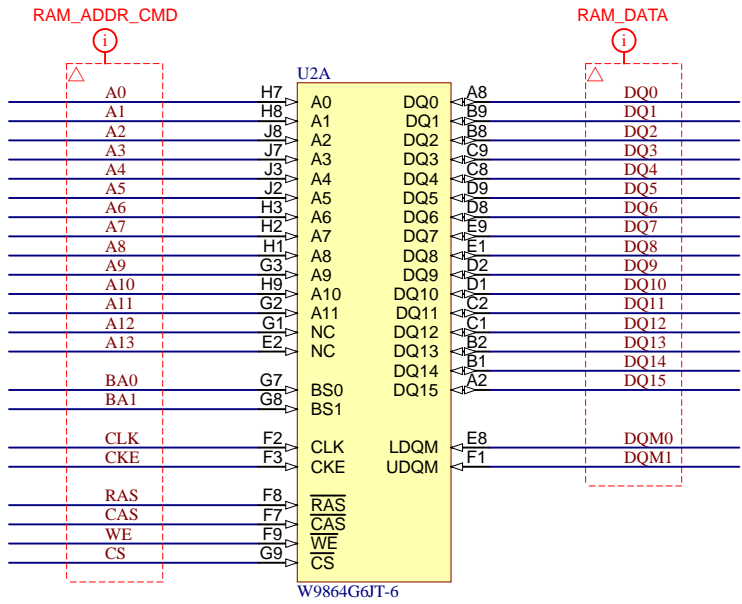
		Title: CYC1000 - FPGA	
		A4	Number: TEI0003 B
Date: 2017-11-21		Copyright: Trenz Electronic GmbH	
Filename: FPGA.SchDoc		Page 3 of 7	



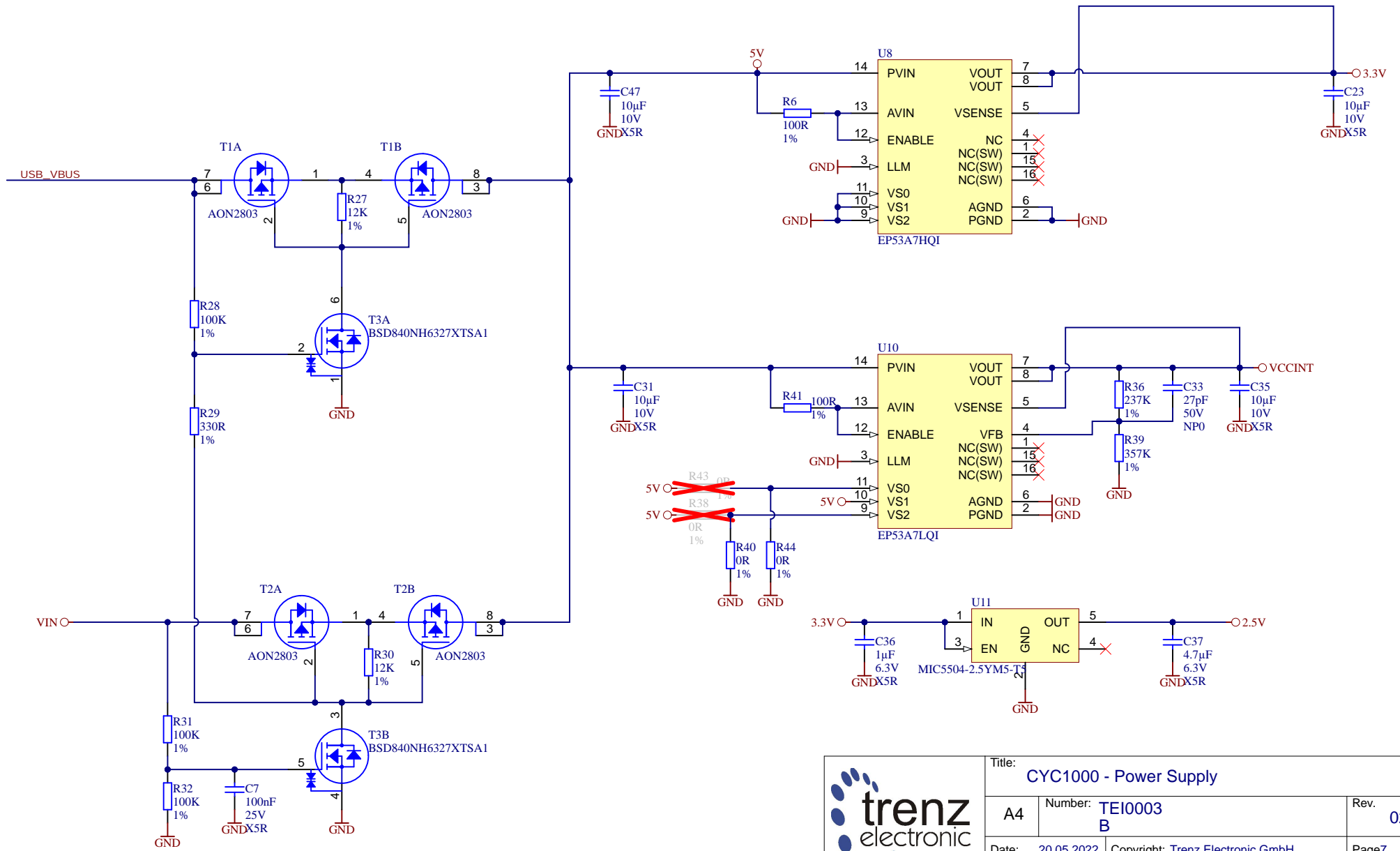
Title: CYC1000 - FPGA_MISC		
A4	Number: TEI0003 B	Rev. 02
Date: 2017-11-21	Copyright: Trenz Electronic GmbH	Page 4 of 7
Filename: FPGA_MISC.SchDoc		



Title: CYC1000 - FTDI		
A4	Number: TEI0003 B	Rev. 02
Date: 20.05.2022	Copyright: Trenz Electronic GmbH	Page 5 of 7
Filename: FTDI.SchDoc		




Title: CYC1000 - Sensor_Flash_SDRAM		
A4	Number: TEI0003 B	Rev. 02
Date: 2017-11-21	Copyright: Trenz Electronic GmbH	Page 6 of 7
Filename: SENSOR_Flash_RAM.SchDoc		



Title: CYC1000 - Power Supply		
A4	Number: TEI0003 B	Rev. 02
Date: 20.05.2022	Copyright: Trenz Electronic GmbH	Page 7 of 7
Filename: PowerSupply.SchDoc		

REV	Description	
-01	Initial revision	
-02	1. Bug fix 20.05.2022 1. Replaced obsolete parts: - Clock generator U7 DSC6011ME2A-012.0000T -> SiT8008BI-73-XXS-12.000000E; - Transistor T3 AO7800 -> BSD840NH6327XTSA1	VY

	Title: Revision History		
	A4	Number: TEI0003 B	Rev. 02
	Date: 2019-10-02	Copyright: Trenz Electronic GmbH	Page of
	Drawn by:	Filename: Revision Changes.SchDoc	