

1

2

3

4

U_A-Headers
A-Headers.SchDoc



U_FPGA
FPGA.SchDoc



U_PowerSupply
PowerSupply.SchDoc



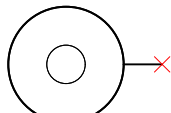
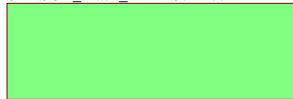
U_FTDI
FTDI.SchDoc



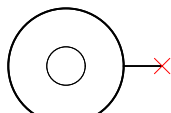
U_FPGA_MISC
FPGA_MISC.SchDoc



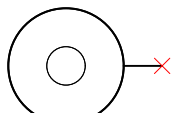
U_SENSOR_Flash_RAM
SENSOR_Flash_RAM.SchDoc



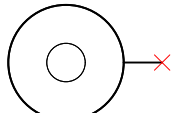
Mount.Hole 2mm (unplated)



Mount.Hole 2mm (unplated)



Mount.Hole 2mm (unplated)



Mount.Hole 2mm (unplated)



FIDU-DOT - mini



FIDU-DOT - mini



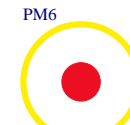
FIDU-DOT - mini



FIDU-DOT - mini



FIDU-DOT - mini



FIDU-DOT - mini

Serial
Serial
Serialnumber 6,3 x 6.3mm

Design drawn by: VT
Checked by: IG
Assembly variant: B
Created by: VT
Modified by: VT
Modified at: 2021-03-11



Title: CYC1000

A4	Number: TEI0003 B	Rev. 02A
Date: 2021-03-11	Copyright: Trenz Electronic GmbH	Page1 of 7
Filename: TEI0003.SchDoc		

1

2

3

4

A

A

B

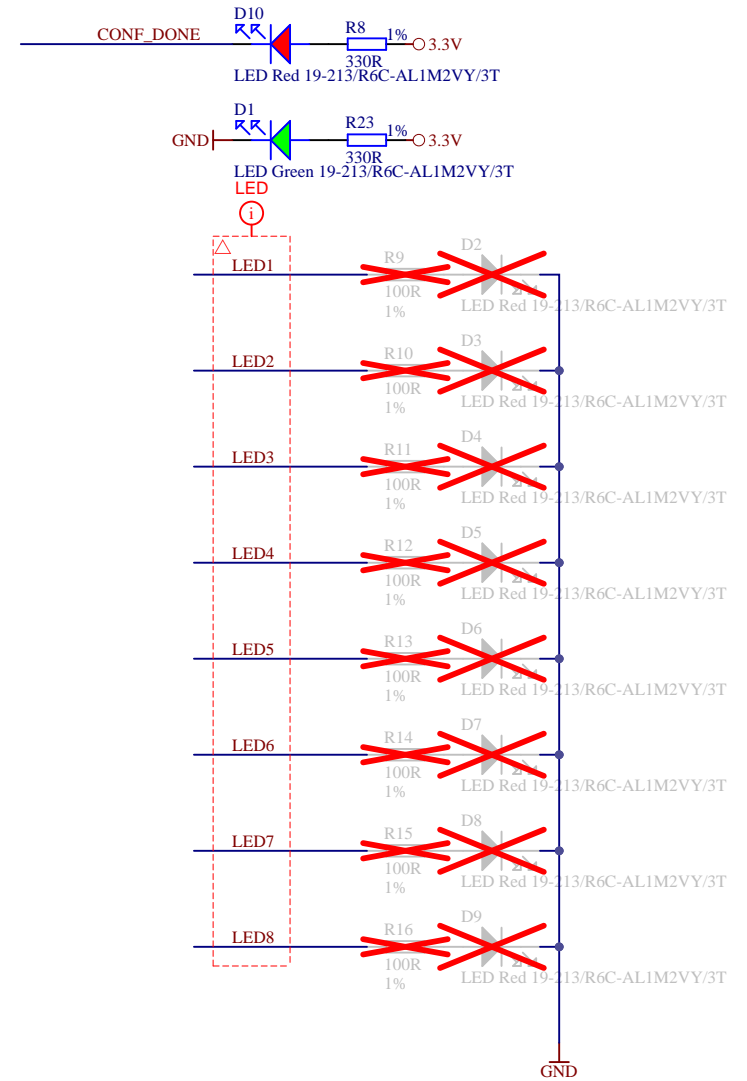
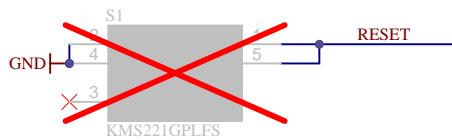
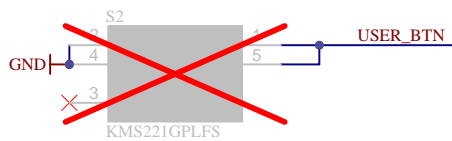
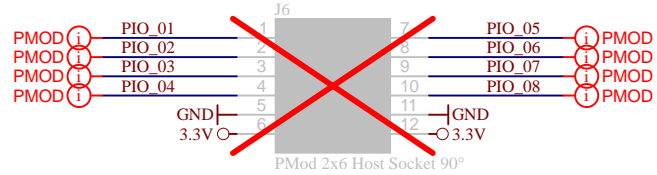
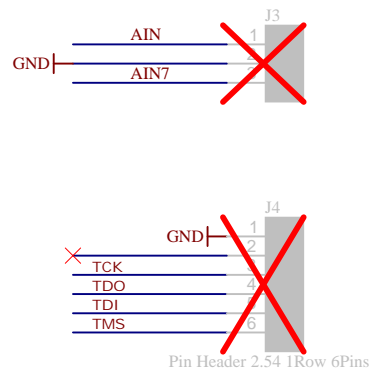
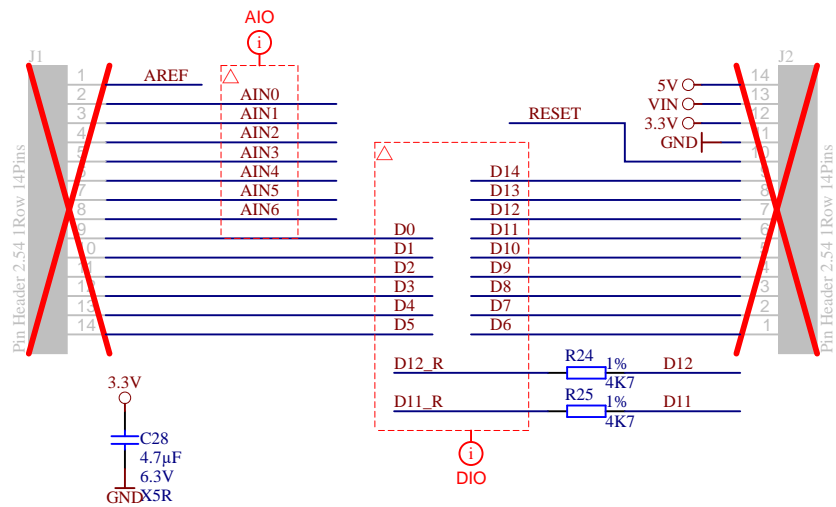
B

C

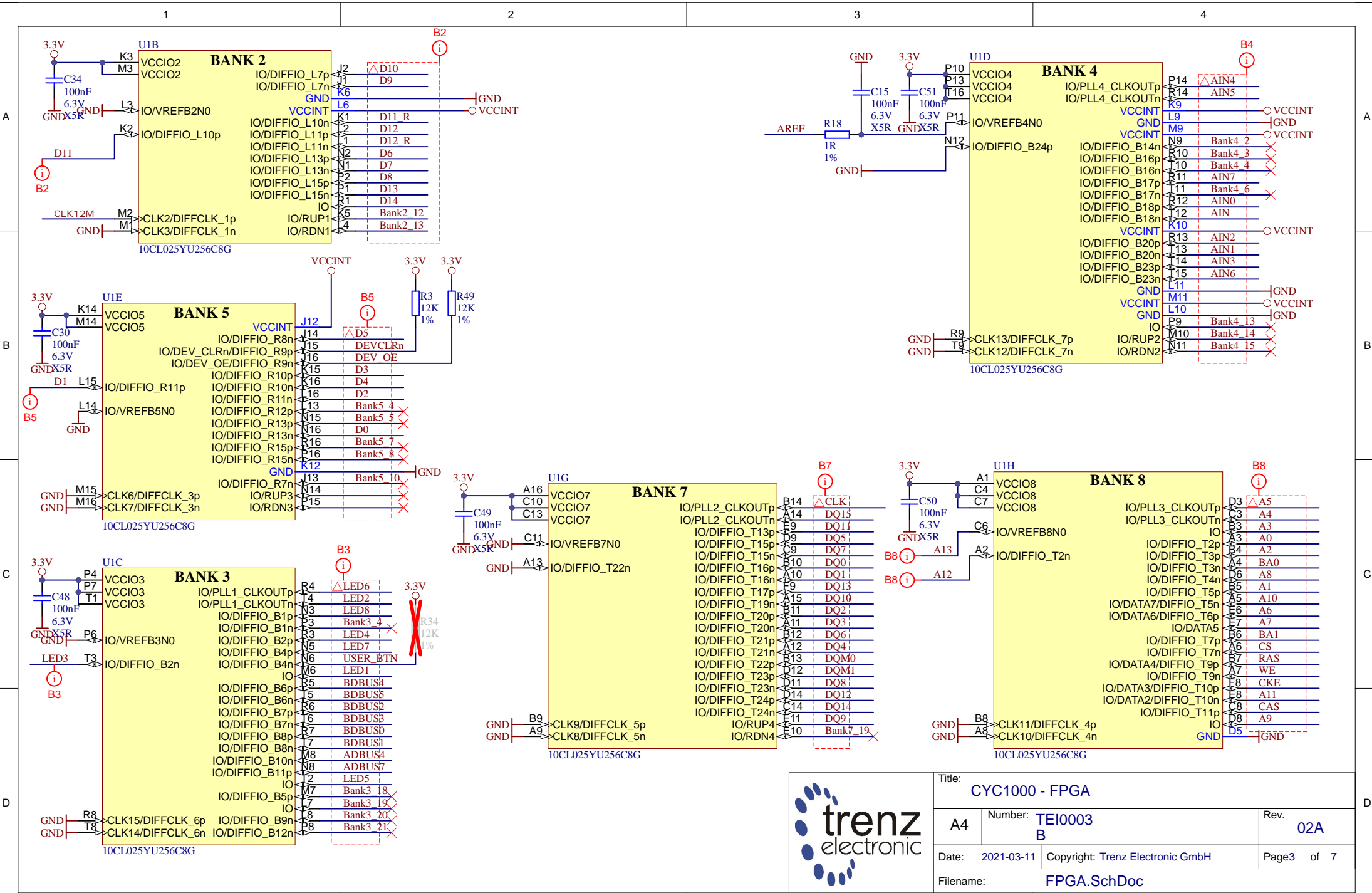
C

D

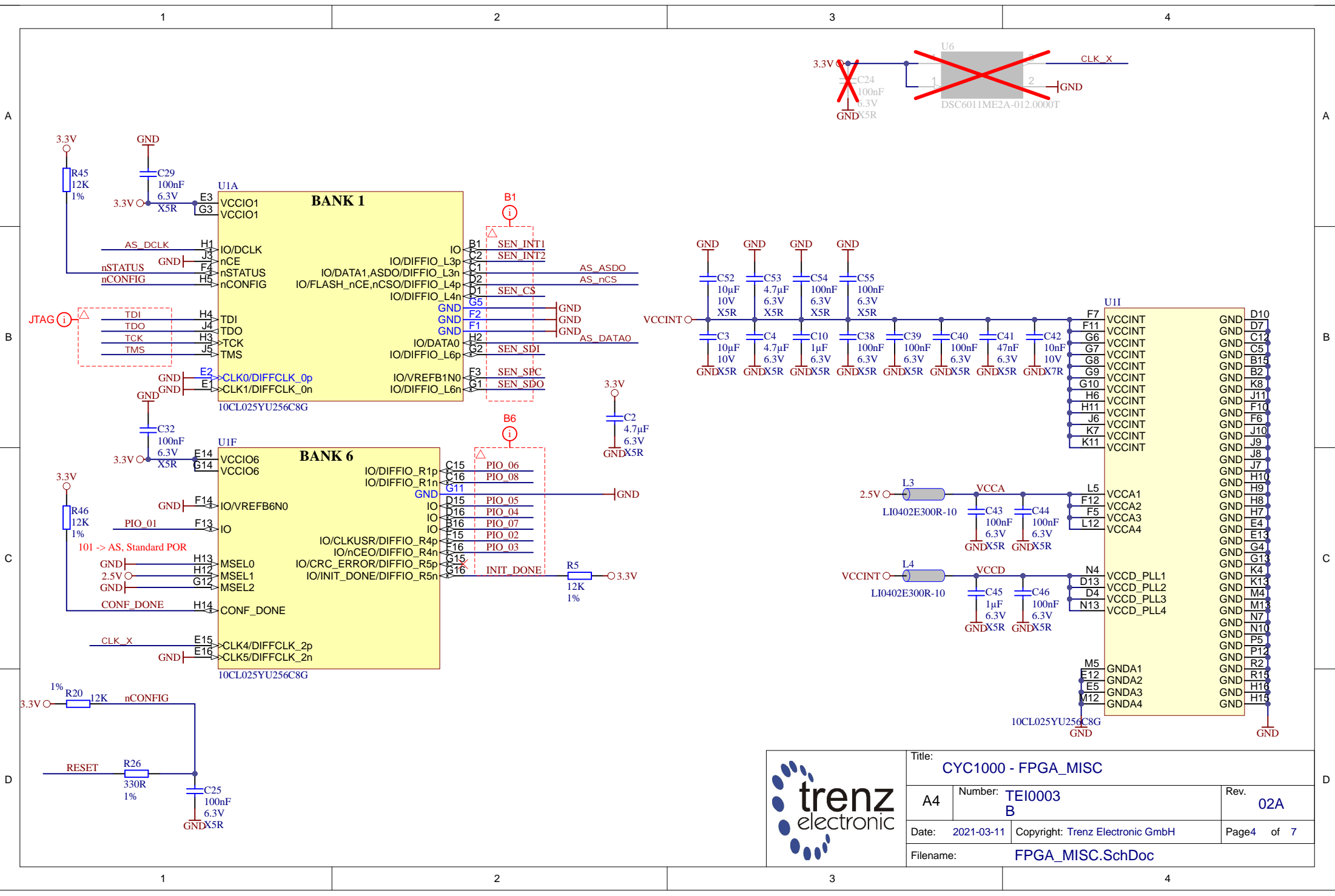
D



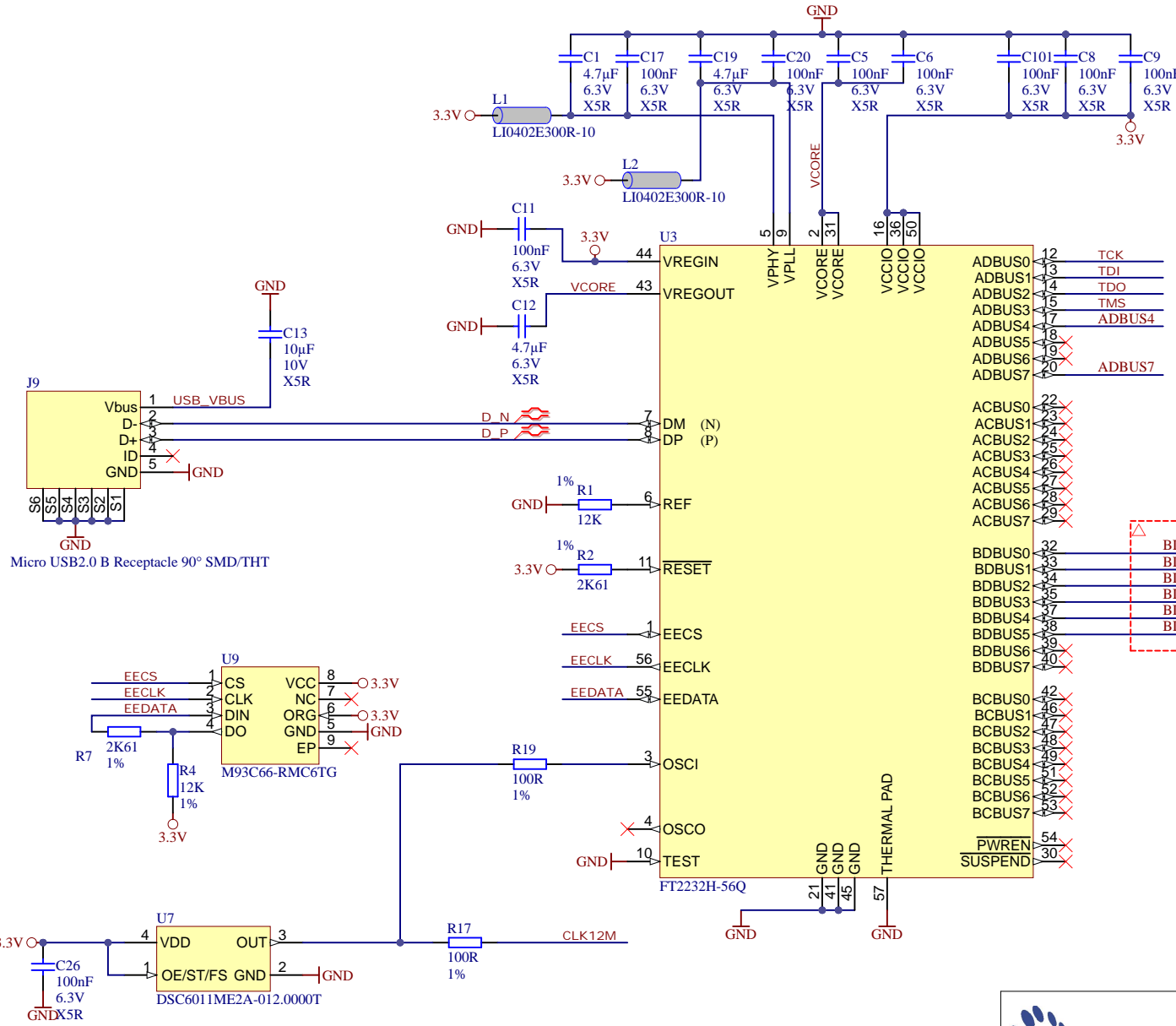
Title: CYC1000 - Headers		
A4	Number: TEI0003 B	Rev. 02A
Date: 2021-03-11	Copyright: Trenz Electronic GmbH	Page2 of 7
Filename: A-Headers.SchDoc		




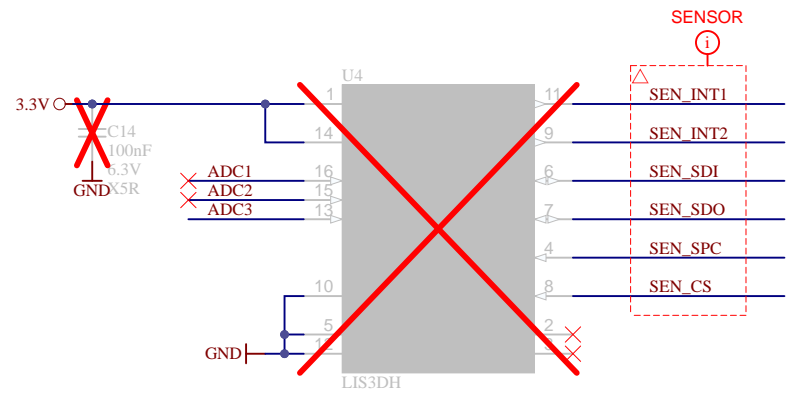
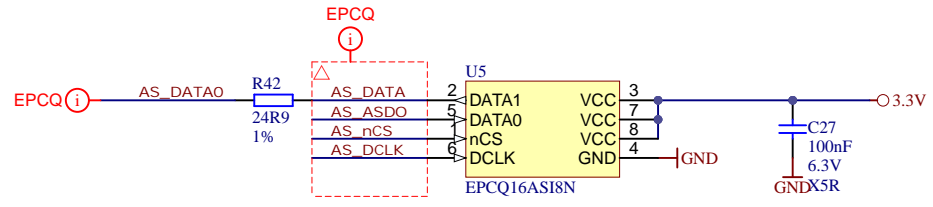
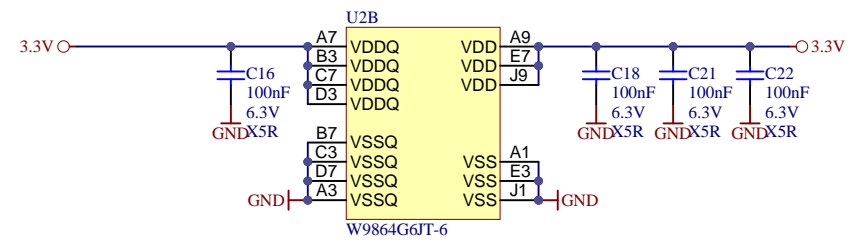
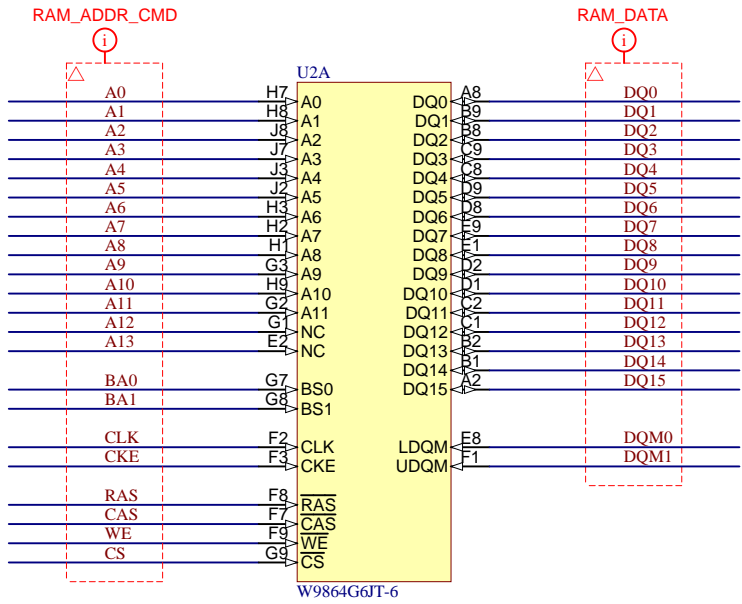
Title: CYC1000 - FPGA		
A4	Number: TEI0003 B	Rev. 02A
Date: 2021-03-11	Copyright: Trenz Electronic GmbH	
Filename: FPGA.SchDoc	Page 3 of 7	



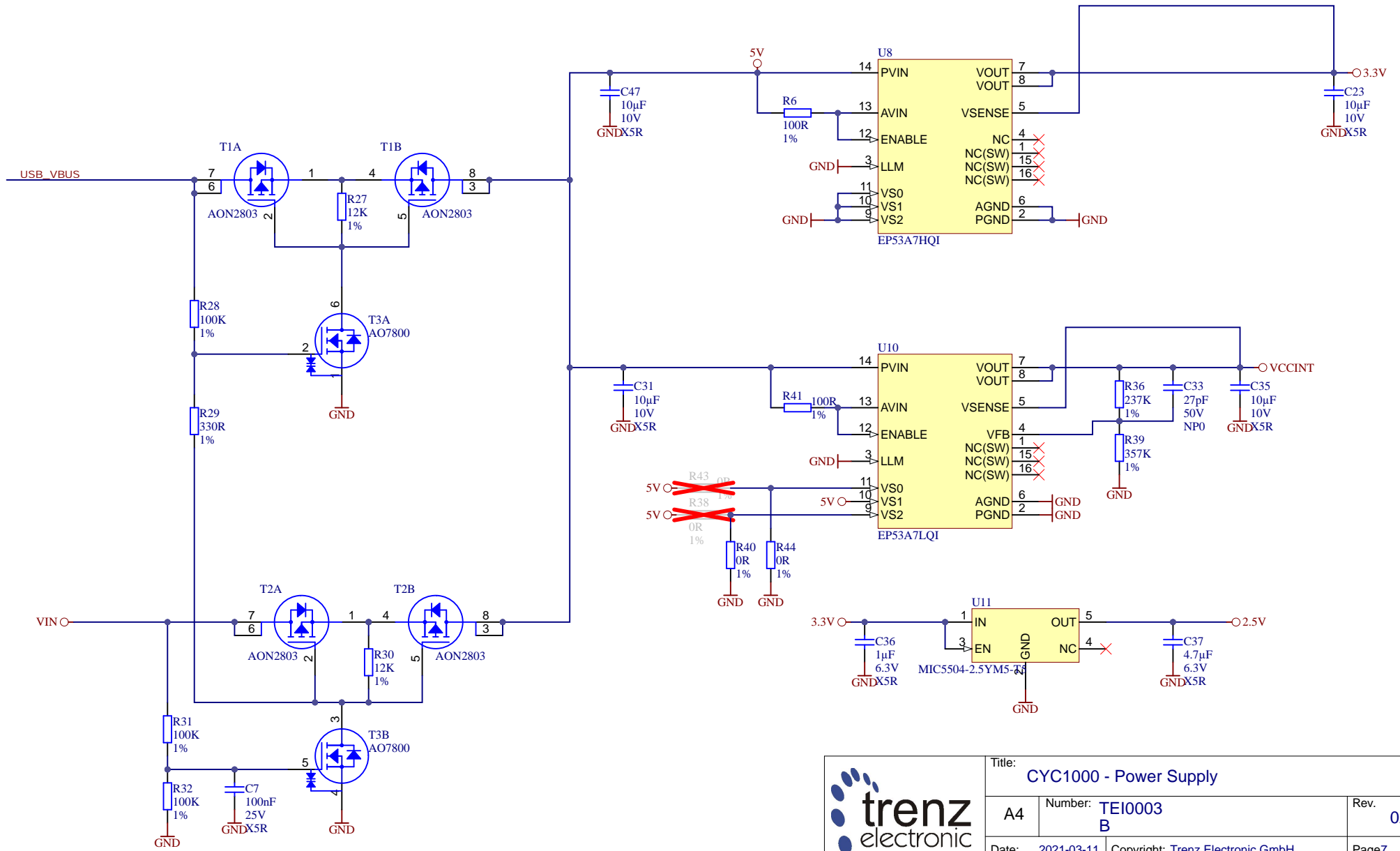
Title: CYC1000 - FPGA_MISC		
A4	Number: TEI0003 B	Rev. 02A
Date: 2021-03-11	Copyright: Trenz Electronic GmbH	Page 4 of 7
Filename: FPGA_MISC.SchDoc		




			Title: CYC1000 - FTDI	
			A4	Number: TEI0003 B
Date: 2021-03-11		Copyright: Trenz Electronic GmbH		Page 5 of 7
Filename: FTDI.SchDoc				



	Title: CYC1000 - Sensor_Flash_SDRAM		
	A4	Number: TEI0003 B	Rev. 02A
	Date: 2021-03-11	Copyright: Trenz Electronic GmbH	Page 6 of 7
	Filename: SENSOR_Flash_RAM.SchDoc		



			Title: CYC1000 - Power Supply	
			A4	Number: TEI0003 B
Date: 2021-03-11		Copyright: Trenz Electronic GmbH		Page 7 of 7
Filename: PowerSupply.SchDoc				