

1

2

3

4

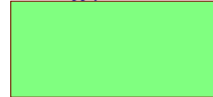
U\_A-Headers  
A-Headers.SchDoc



U\_FPGA  
FPGA.SchDoc



U\_PowerSupply  
PowerSupply.SchDoc



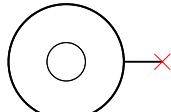
U\_FTDI  
FTDI.SchDoc



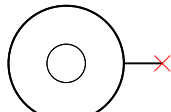
U\_FPGA\_MISC  
FPGA\_MISC.SchDoc



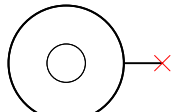
U\_SENSOR\_Flash\_RAM  
SENSOR\_Flash\_RAM.SchDoc



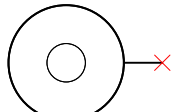
Mount.Hole 2mm (unplated)



Mount.Hole 2mm (unplated)



Mount.Hole 2mm (unplated)



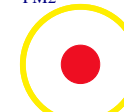
Mount.Hole 2mm (unplated)

PM1



FIDU-DOT - mini

PM2



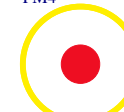
FIDU-DOT - mini

PM3



FIDU-DOT - mini

PM4



FIDU-DOT - mini

PM5



FIDU-DOT - mini

PM6



FIDU-DOT - mini

Serial  
Serial  
Serialnumber 6,3 x 6.3mm



Title: <b>CYC1000</b>		
A4	Number: <b>TEI0003 QFCR1A</b>	Rev. <b>03</b>
Date: <b>11.01.2023</b>	Copyright: <b>Trenz Electronic GmbH</b>	Page <b>1</b> of <b>8</b>
Filename: <b>TEI0003.SchDoc</b>		

1

2

3

4

A

A

B

B

C

C

D

D

1

2

3

4

A

A

B

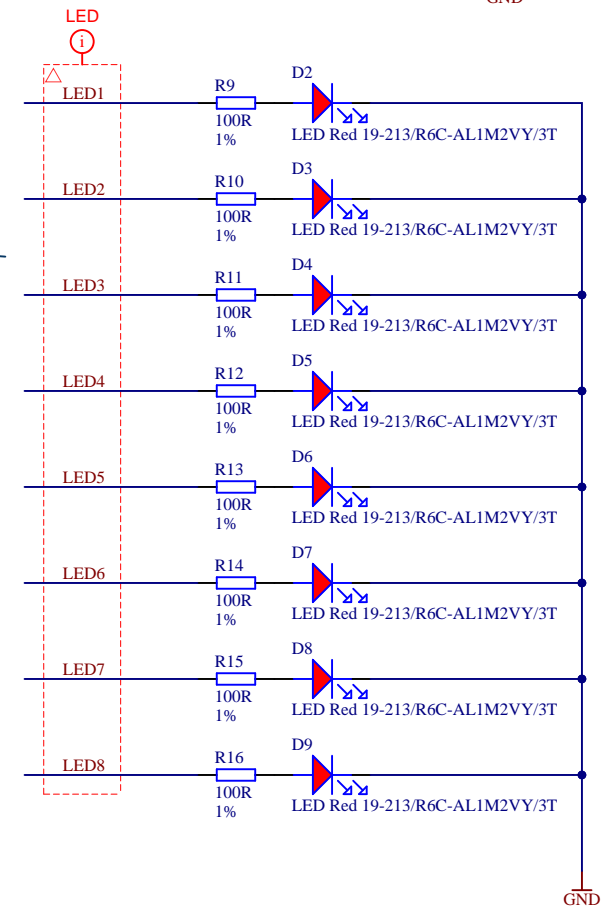
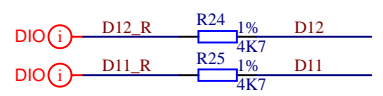
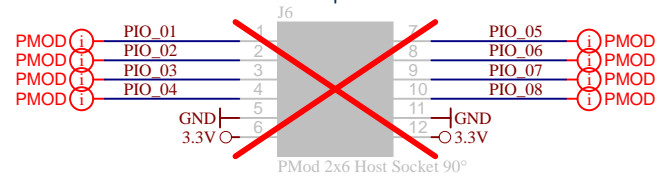
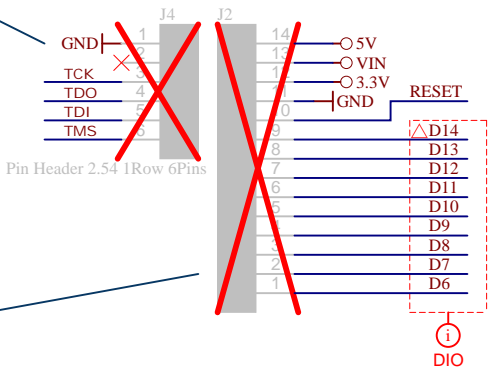
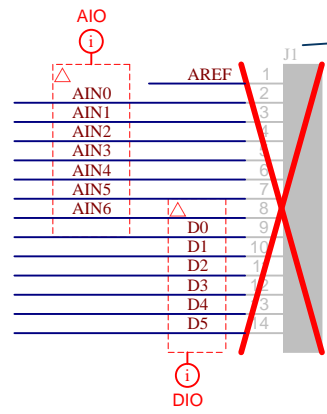
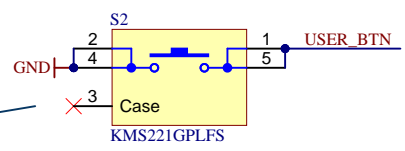
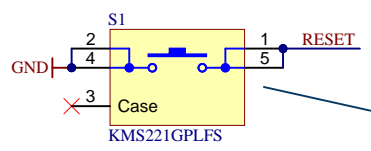
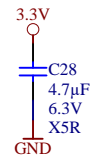
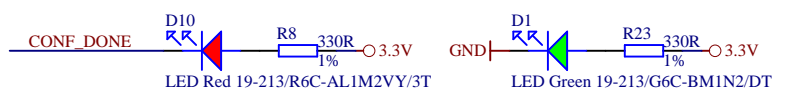
B

C

C

D

D



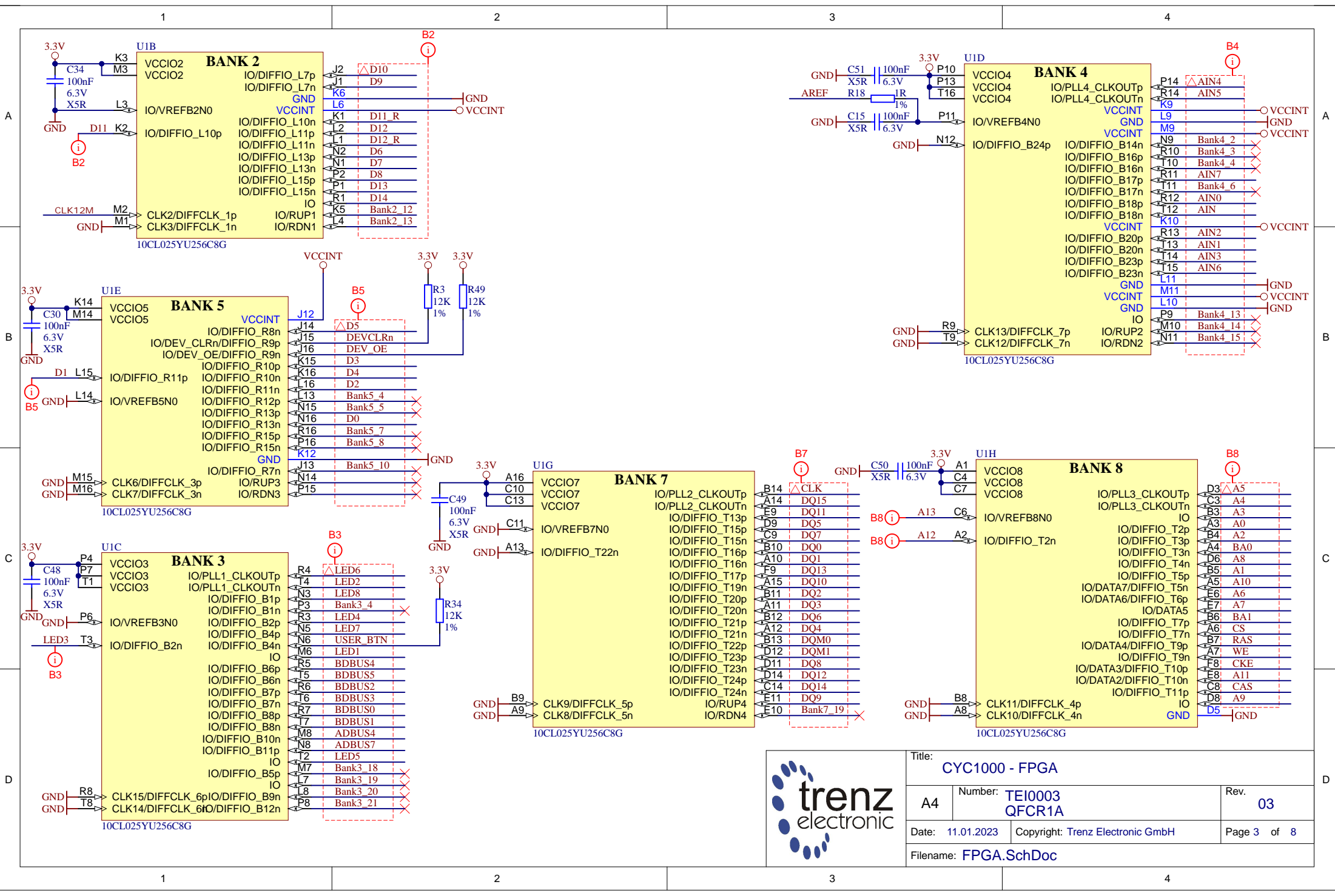
Title: <b>CYC1000 - Headers</b>		
A4	Number: <b>TEI0003 QFCR1A</b>	Rev. <b>03</b>
Date: <b>11.01.2023</b>	Copyright: <b>Trenz Electronic GmbH</b>	Page <b>2</b> of <b>8</b>
Filename: <b>A-Headers.SchDoc</b>		

1

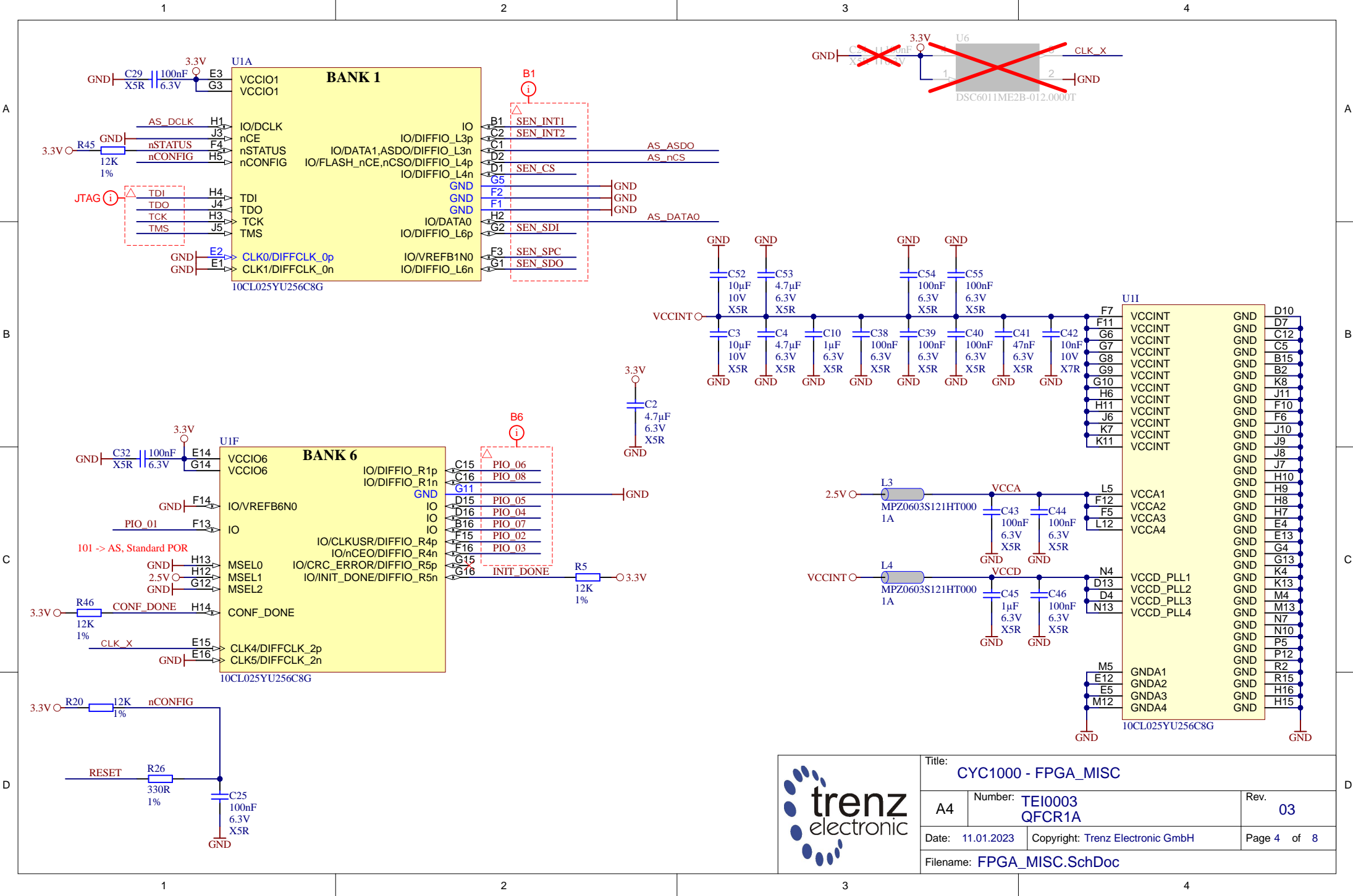
2

3

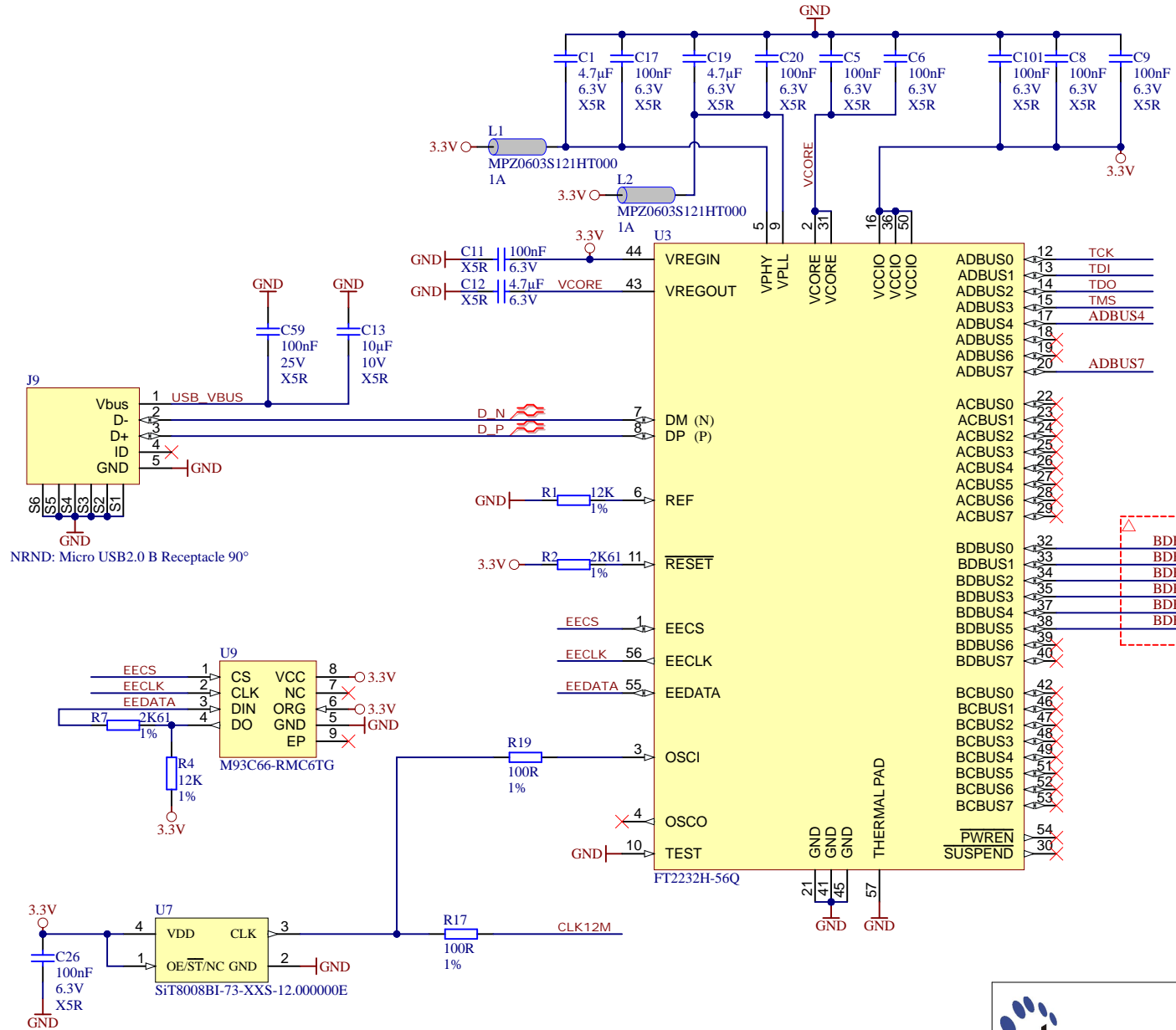
4



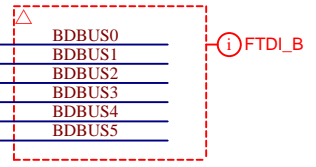
Title: <b>CYC1000 - FPGA</b>		
A4	Number: <b>TEI0003 QFCR1A</b>	Rev. <b>03</b>
Date: <b>11.01.2023</b>	Copyright: <b>Trenz Electronic GmbH</b>	Page <b>3</b> of <b>8</b>
Filename: <b>FPGA.SchDoc</b>		



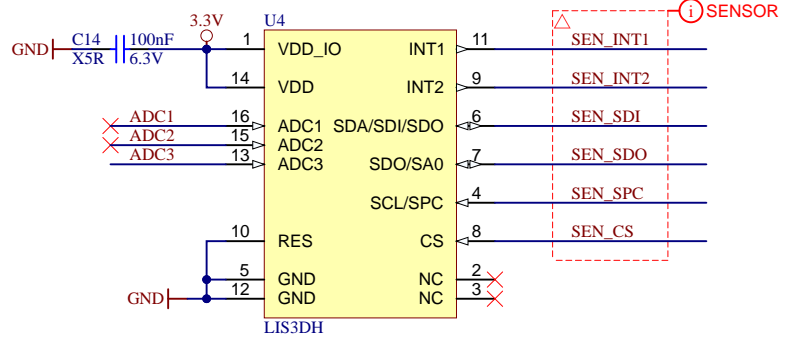
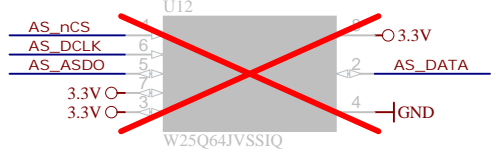
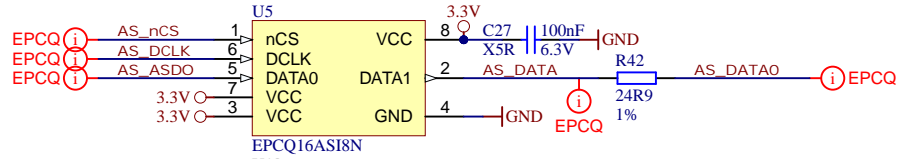
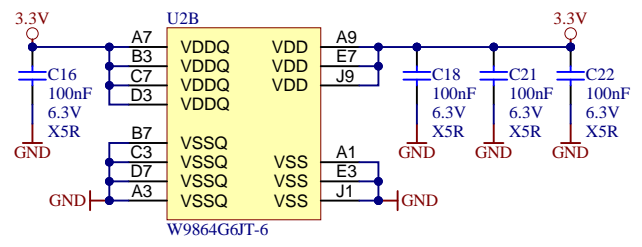
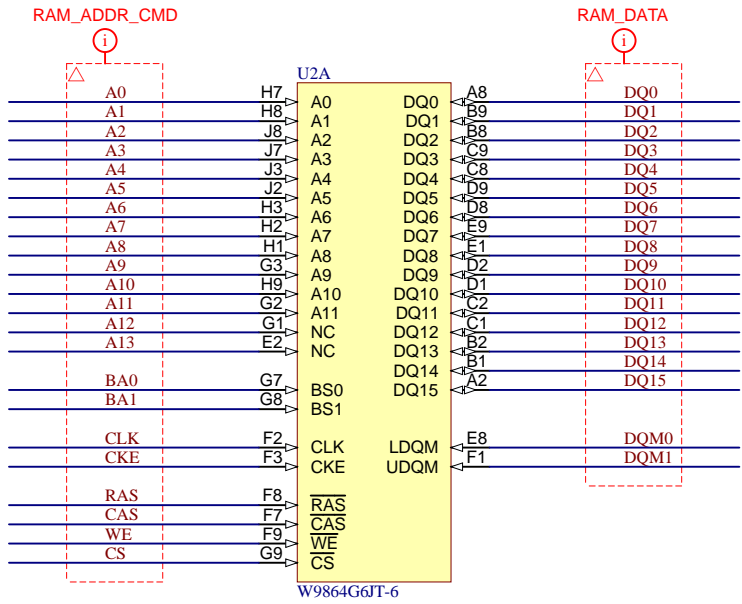
Title: <b>CYC1000 - FPGA_MISC</b>		
A4	Number: <b>TEI0003 QFCR1A</b>	Rev. <b>03</b>
Date: <b>11.01.2023</b>	Copyright: <b>Trenz Electronic GmbH</b>	Page <b>4</b> of <b>8</b>
Filename: <b>FPGA_MISC.SchDoc</b>		



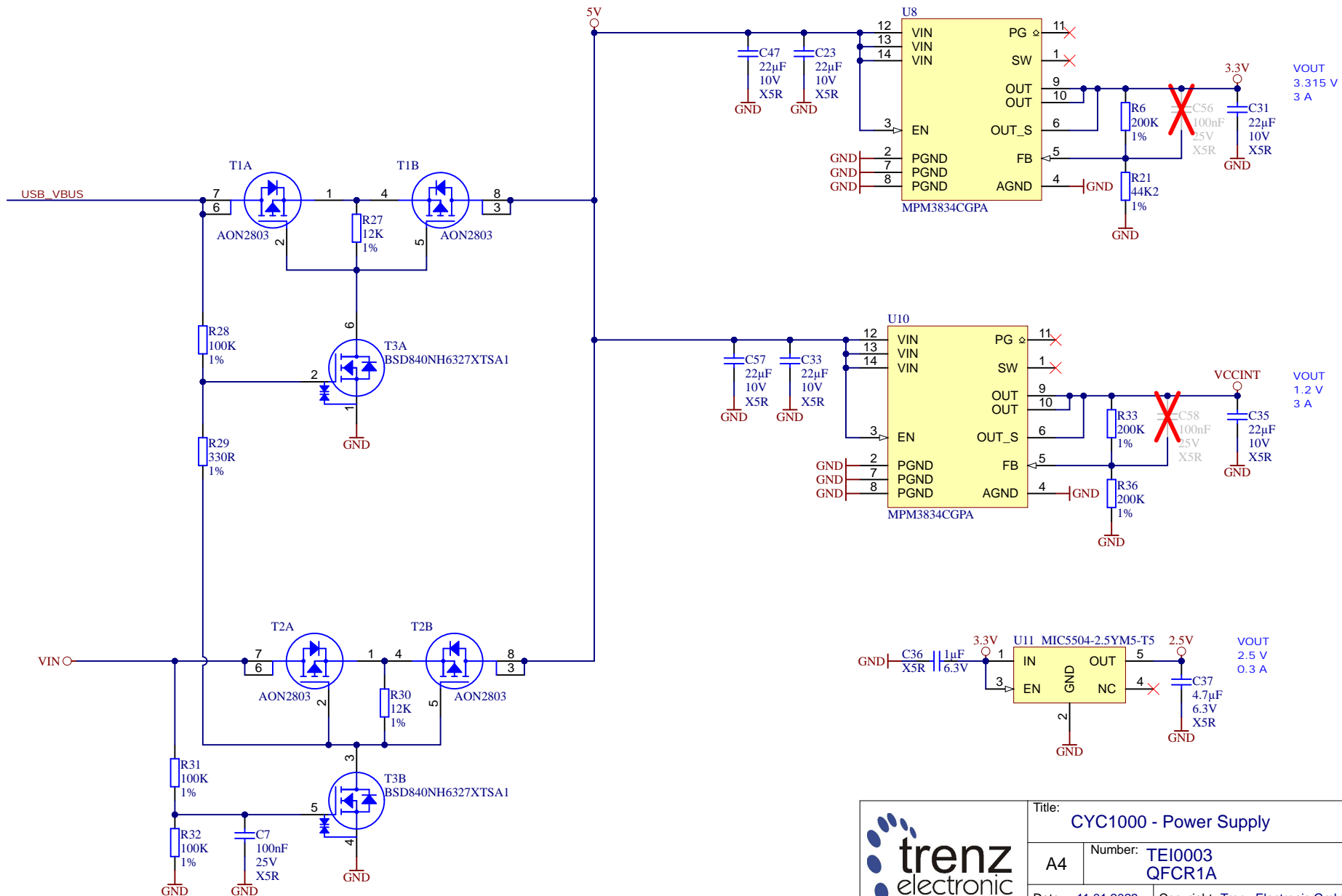
NRND: Micro USB2.0 B Receptacle 90°




Title: <b>CYC1000 - FTDI</b>		
A4	Number: <b>TEI0003 QFCR1A</b>	Rev. <b>03</b>
Date: <b>11.01.2023</b>	Copyright: <b>Trenz Electronic GmbH</b>	Page <b>5</b> of <b>8</b>
Filename: <b>FTDI.SchDoc</b>		




Title: <b>CYC1000 - Sensor_Flash_SDRAM</b>		
A4	Number: <b>TEI0003 QFCR1A</b>	Rev. <b>03</b>
Date: <b>11.01.2023</b>	Copyright: <b>Trenz Electronic GmbH</b>	Page <b>6</b> of <b>8</b>
Filename: <b>SENSOR_Flash_RAM.SchDoc</b>		



	Title: <b>CYC1000 - Power Supply</b>		
	A4	Number: <b>TEI0003 QFCR1A</b>	Rev. <b>03</b>
	Date: <b>11.01.2023</b>	Copyright: <b>Trenz Electronic GmbH</b>	Page <b>7</b> of <b>8</b>
	Filename: <b>PowerSupply.SchDoc</b>		

REV	Description	
-01	Initial revision	
-02	1) Bug fix 20.05.2022 1) Replaced obsolete parts: - Clock generator U7 DSC6011ME2A-012.0000T -> SiT8008BI-73-XXS-12.000000E; - Transistor T3 AO7800 -> BSD840NH6327XTSA1	VY
-03	1) Added SPI flash option U12. 2) Changed ferrite beads L1 ... L4, mems clock U6, and added capacitor C59. 3) Changed Enpirion with MPS. 4) Added UKCA logo. 5) Library update.	AL

	Title: <b>CYC1000 - Revision History</b>		
	A4	Number: <b>TEI0003</b> <b>QFCR1A</b>	Rev. <b>03</b>
	Date: <b>11.01.2023</b>	Copyright: <b>Trenz Electronic GmbH</b>	Page <b>8</b> of <b>8</b>
	Filename: <b>Revision Changes.SchDoc</b>		