

1

2

3

4

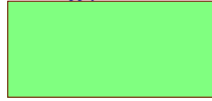
U_A-Headers
A-Headers.SchDoc



U_FPGA
FPGA.SchDoc



U_PowerSupply
PowerSupply.SchDoc



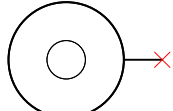
U_FTDI
FTDI.SchDoc



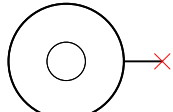
U_FPGA_MISC
FPGA_MISC.SchDoc



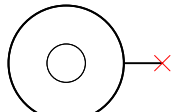
U_SENSOR_Flash_RAM
SENSOR_Flash_RAM.SchDoc



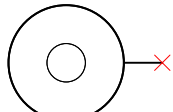
Mount.Hole 2mm (unplated)



Mount.Hole 2mm (unplated)



Mount.Hole 2mm (unplated)



Mount.Hole 2mm (unplated)



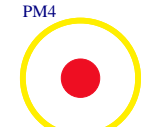
FIDU-DOT - mini



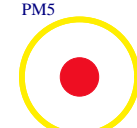
FIDU-DOT - mini



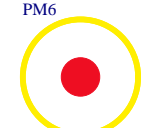
FIDU-DOT - mini



FIDU-DOT - mini



FIDU-DOT - mini



FIDU-DOT - mini

Serial
Serial
Serialnumber 6,3 x 6.3mm



Title: CYC1000		
A4	Number: TEI0003 QFCR4A	Rev. 03
Date: 11.01.2023	Copyright: Trenz Electronic GmbH	Page 1 of 8
Filename: TEI0003.SchDoc		

1

2

3

4

A

A

B

B

C

C

D

D

1

2

3

4

A

A

B

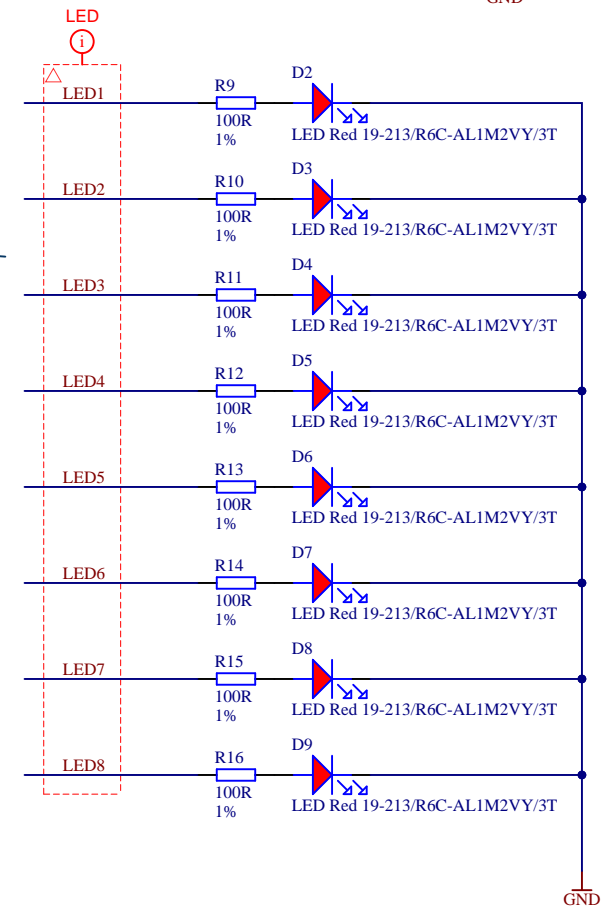
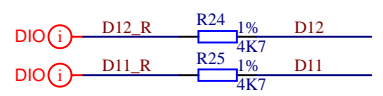
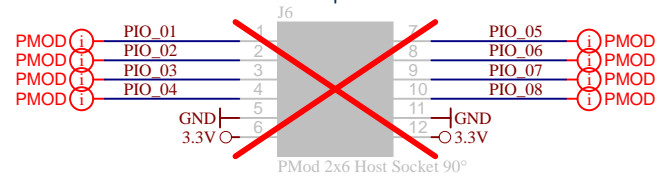
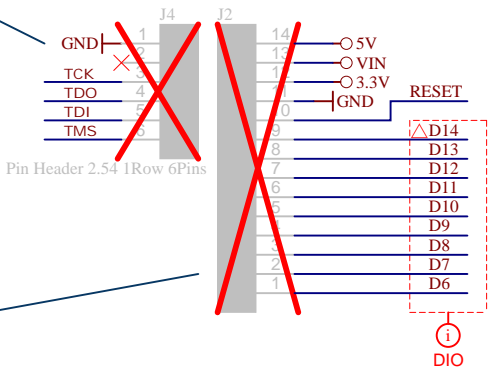
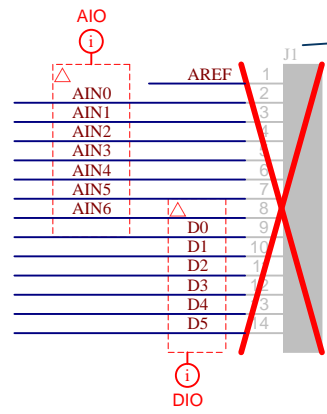
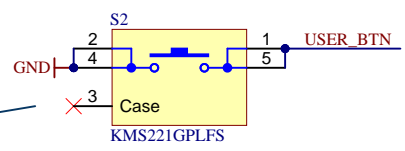
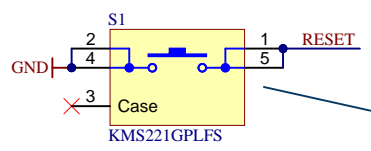
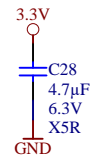
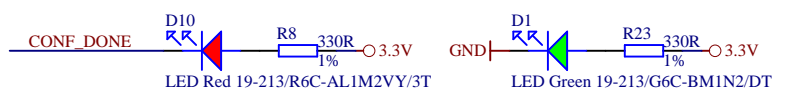
B

C

C

D

D



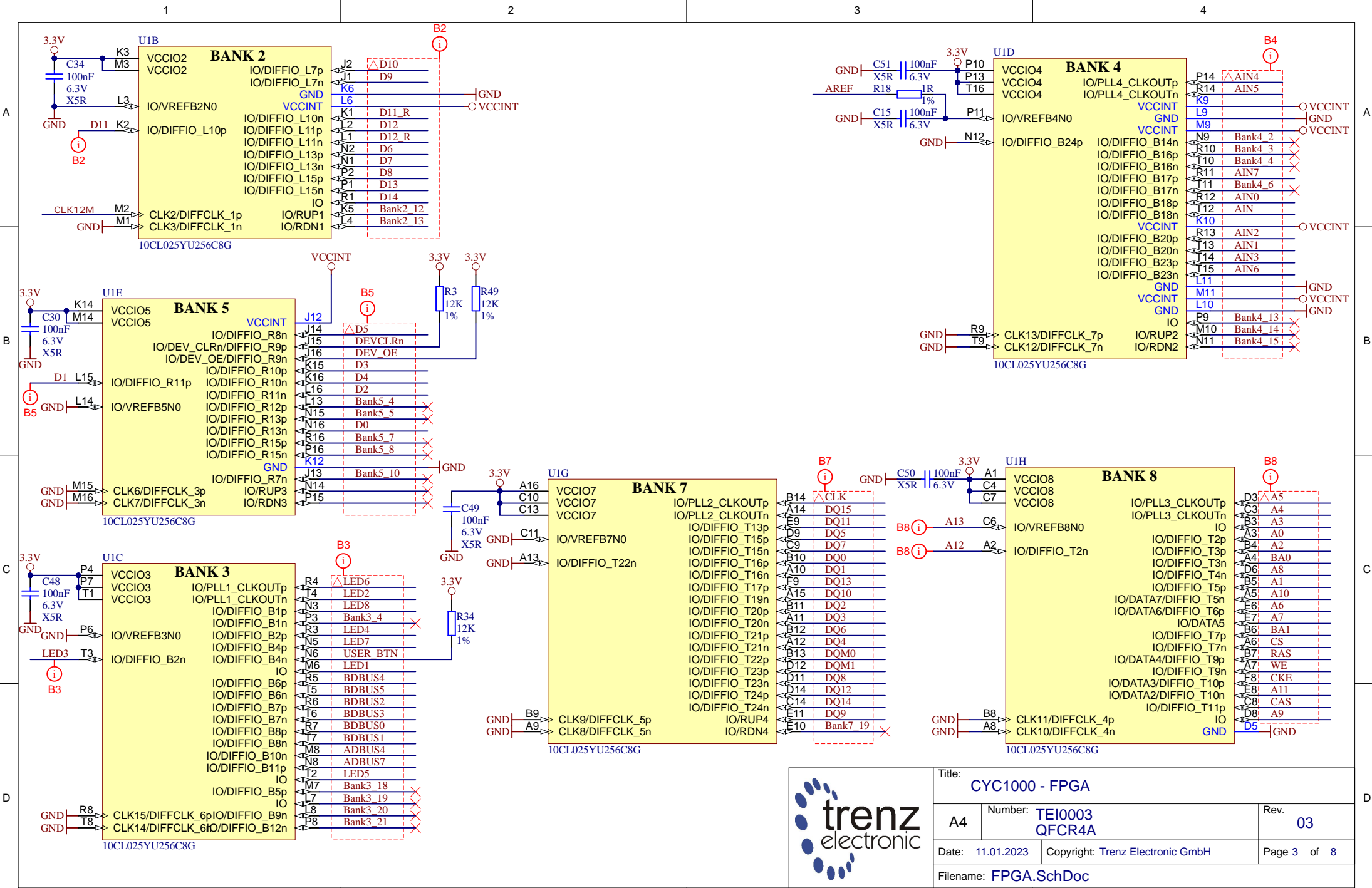
Title: CYC1000 - Headers		
A4	Number: TEI0003 QFCR4A	Rev. 03
Date: 11.01.2023	Copyright: Trenz Electronic GmbH	Page 2 of 8
Filename: A-Headers.SchDoc		

1

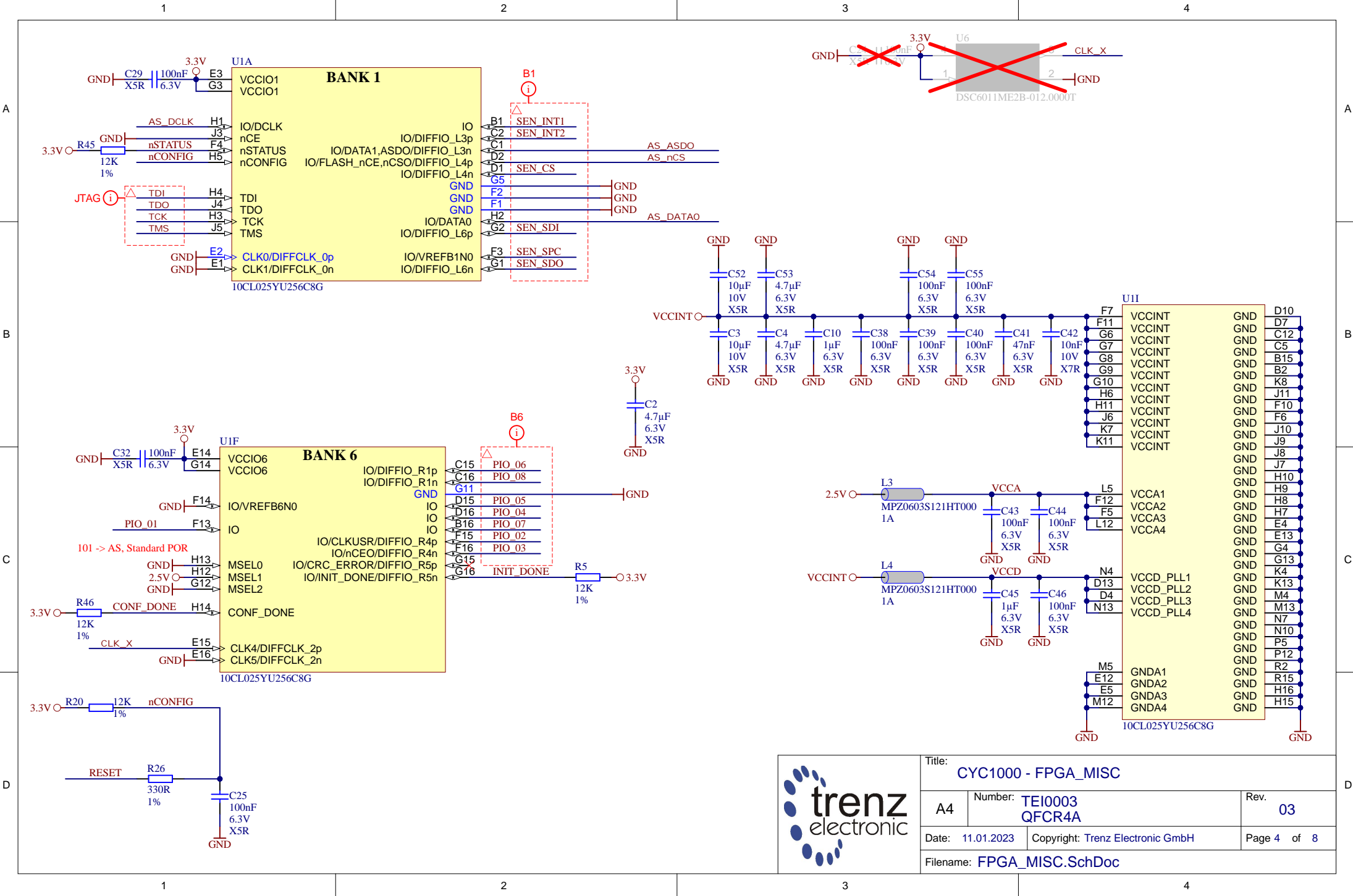
2

3

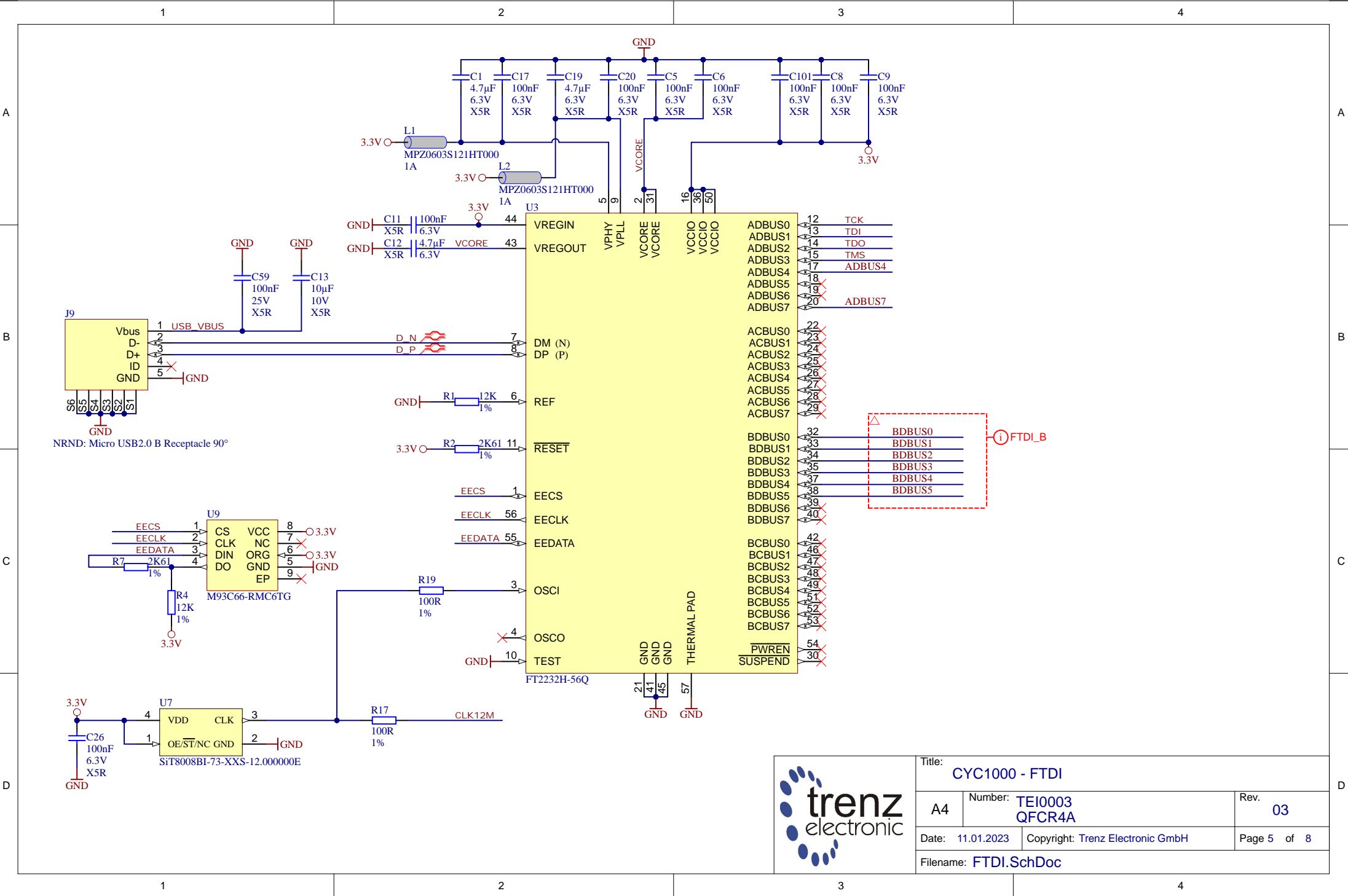
4



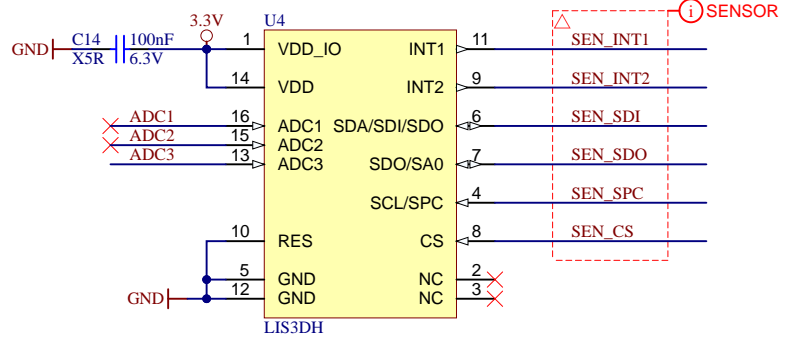
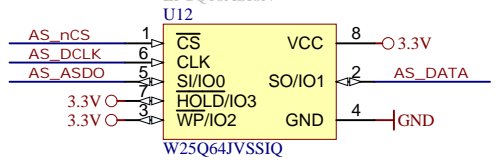
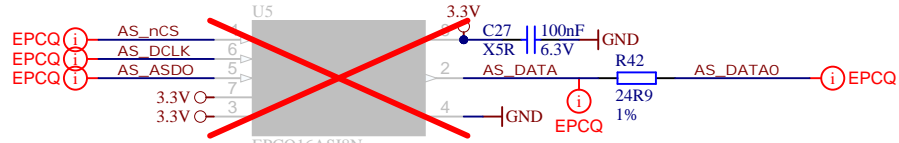
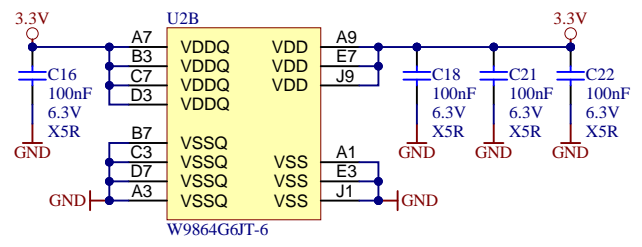
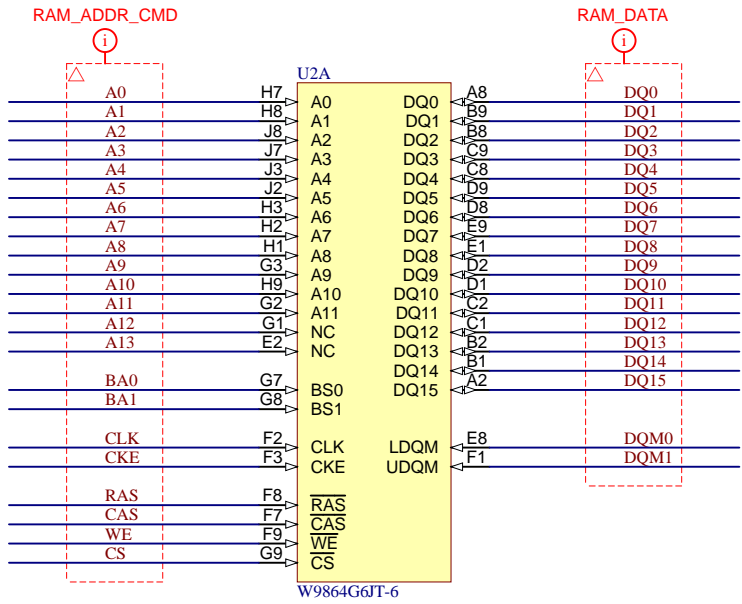
Title: CYC1000 - FPGA		
A4	Number: TEI0003 QFCR4A	Rev. 03
Date: 11.01.2023	Copyright: Trenz Electronic GmbH	Page 3 of 8
Filename: FPGA.SchDoc		



Title: CYC1000 - FPGA_MISC		
A4	Number: TEI0003 QFCR4A	Rev. 03
Date: 11.01.2023	Copyright: Trenz Electronic GmbH	Page 4 of 8
Filename: FPGA_MISC.SchDoc		

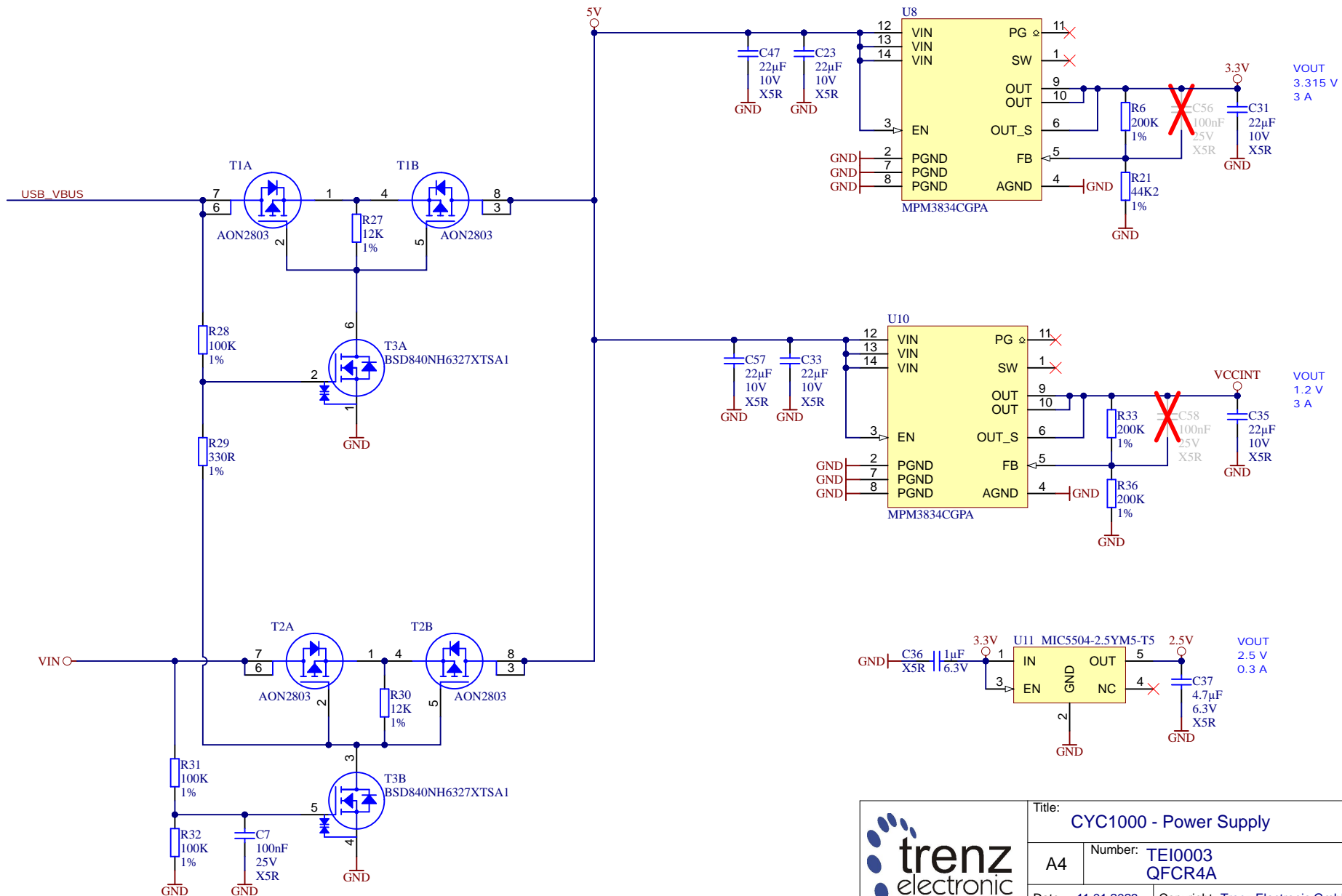



Title: CYC1000 - FTDI		
A4	Number: TEI0003 QFCR4A	Rev. 03
Date: 11.01.2023	Copyright: Trenz Electronic GmbH	Page 5 of 8
Filename: FTDI.SchDoc		




trenz electronic

Title: CYC1000 - Sensor_Flash_SDRAM		
A4	Number: TEI0003 QFCR4A	Rev. 03
Date: 11.01.2023	Copyright: Trenz Electronic GmbH	Page 6 of 8
Filename: SENSOR_Flash_RAM.SchDoc		



	Title: CYC1000 - Power Supply		
	A4	Number: TEI0003 QFCR4A	Rev. 03
	Date: 11.01.2023	Copyright: Trenz Electronic GmbH	Page 7 of 8
	Filename: PowerSupply.SchDoc		

REV	Description	
-01	Initial revision	
-02	1) Bug fix 20.05.2022 1) Replaced obsolete parts: - Clock generator U7 DSC6011ME2A-012.0000T -> SiT8008BI-73-XXS-12.000000E; - Transistor T3 AO7800 -> BSD840NH6327XTSA1	VY
-03	1) Added SPI flash option U12. 2) Changed ferrite beads L1 ... L4, mems clock U6, and added capacitor C59. 3) Changed Enpirion with MPS. 4) Added UKCA logo. 5) Library update.	AL

		Title: CYC1000 - Revision History		
		A4	Number: TEI0003 QFCR4A	Rev. 03
		Date: 11.01.2023	Copyright: Trenz Electronic GmbH	Page 8 of 8
		Filename: Revision Changes.SchDoc		