

1

2

3

4

U_A-Headers
A-Headers.SchDoc



U_FPGA
FPGA.SchDoc



U_SENSOR
Sensors.SchDoc



U_FTDI
FTDI.SchDoc



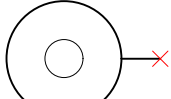
U_SENSOR_Flash_RAM
SENSOR_Flash_RAM.SchDoc



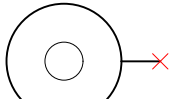
U_FPGA_MISC
FPGA_MISC.SchDoc



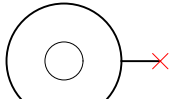
U_PowerSupply
PowerSupply.SchDoc



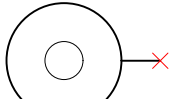
Mount.Hole 2mm (unplated)



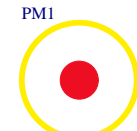
Mount.Hole 2mm (unplated)



Mount.Hole 2mm (unplated)



Mount.Hole 2mm (unplated)



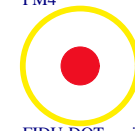
FIDU-DOT - mini



FIDU-DOT - mini



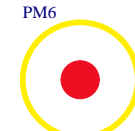
FIDU-DOT - mini



FIDU-DOT - mini



FIDU-DOT - mini



FIDU-DOT - mini

Serial
Serialnumber 6,3 x 6.3mm



Title:		
A4	Number: TEI0010 08-C8	Rev. 02
Date: 16.07.2018	Copyright: Trenz Electronic GmbH	Page1 of 9
Filename: TEI0010.SchDoc		

1

2

3

4

A

A

B

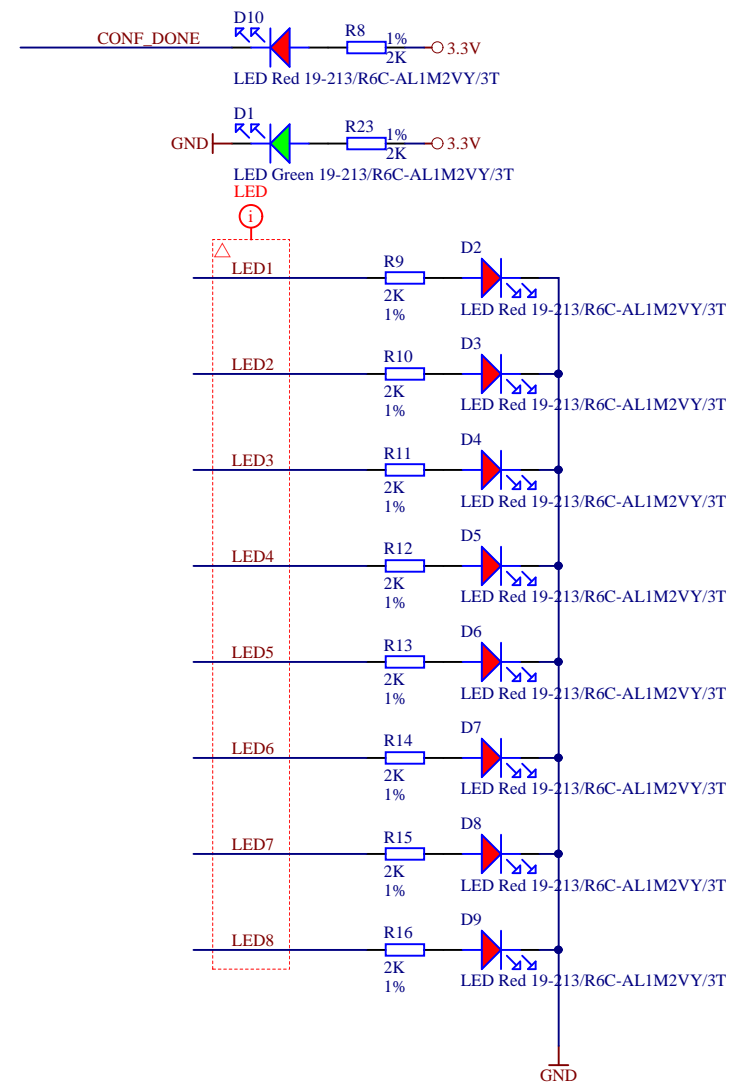
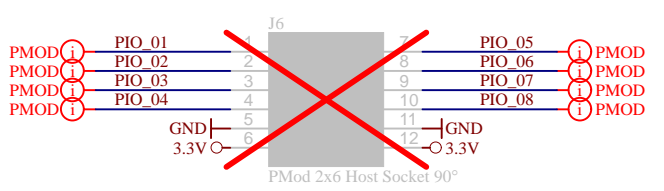
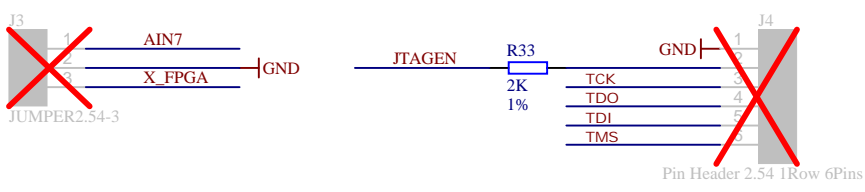
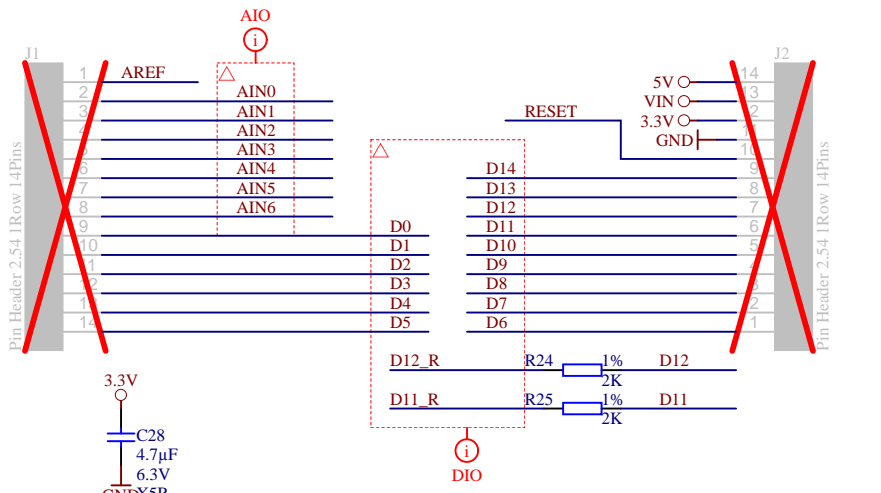
B

C

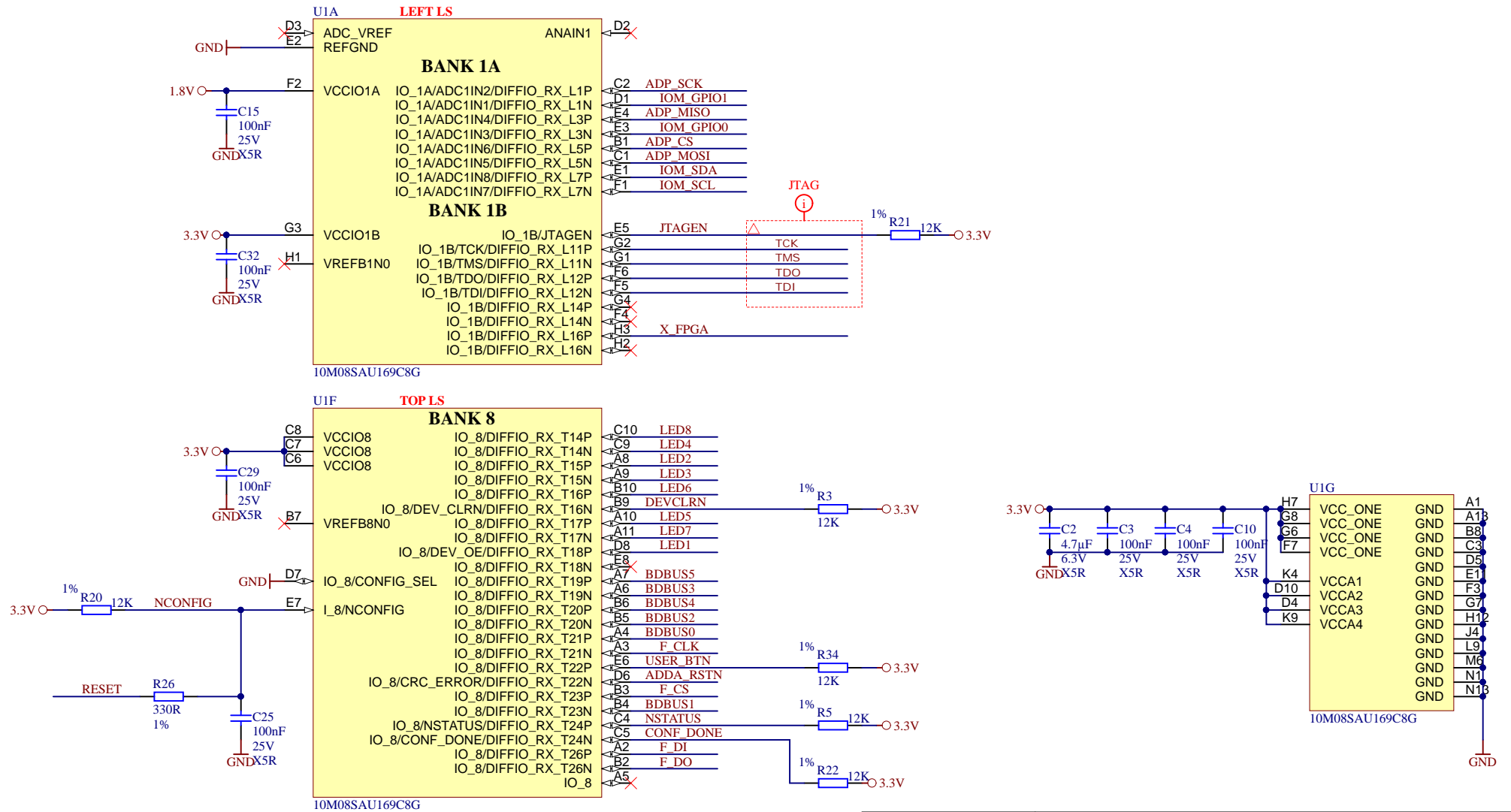
C

D

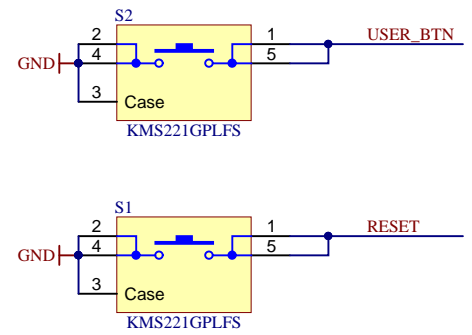
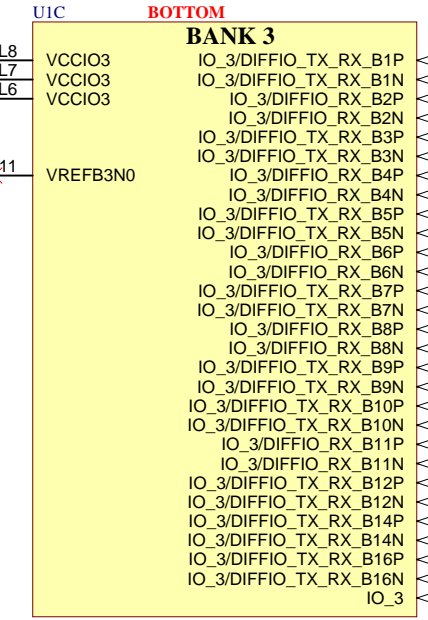
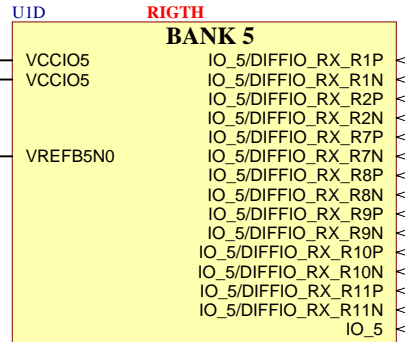
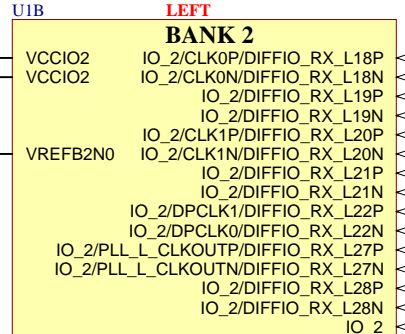
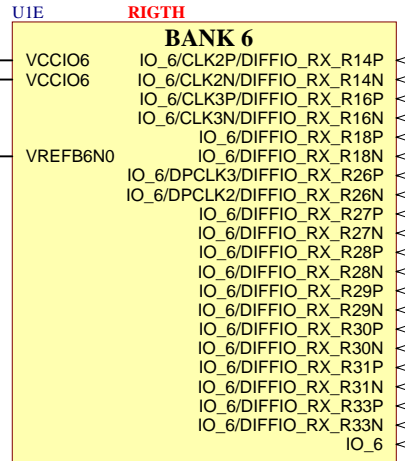
D



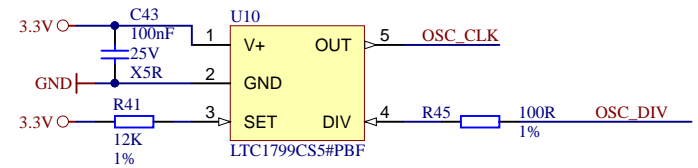
Title:		
A4	Number: TEI0010 08-C8	Rev. 02
Date: 16.07.2018	Copyright: Trenz Electronic GmbH	Page2 of 9
Filename: A-Headers.SchDoc		



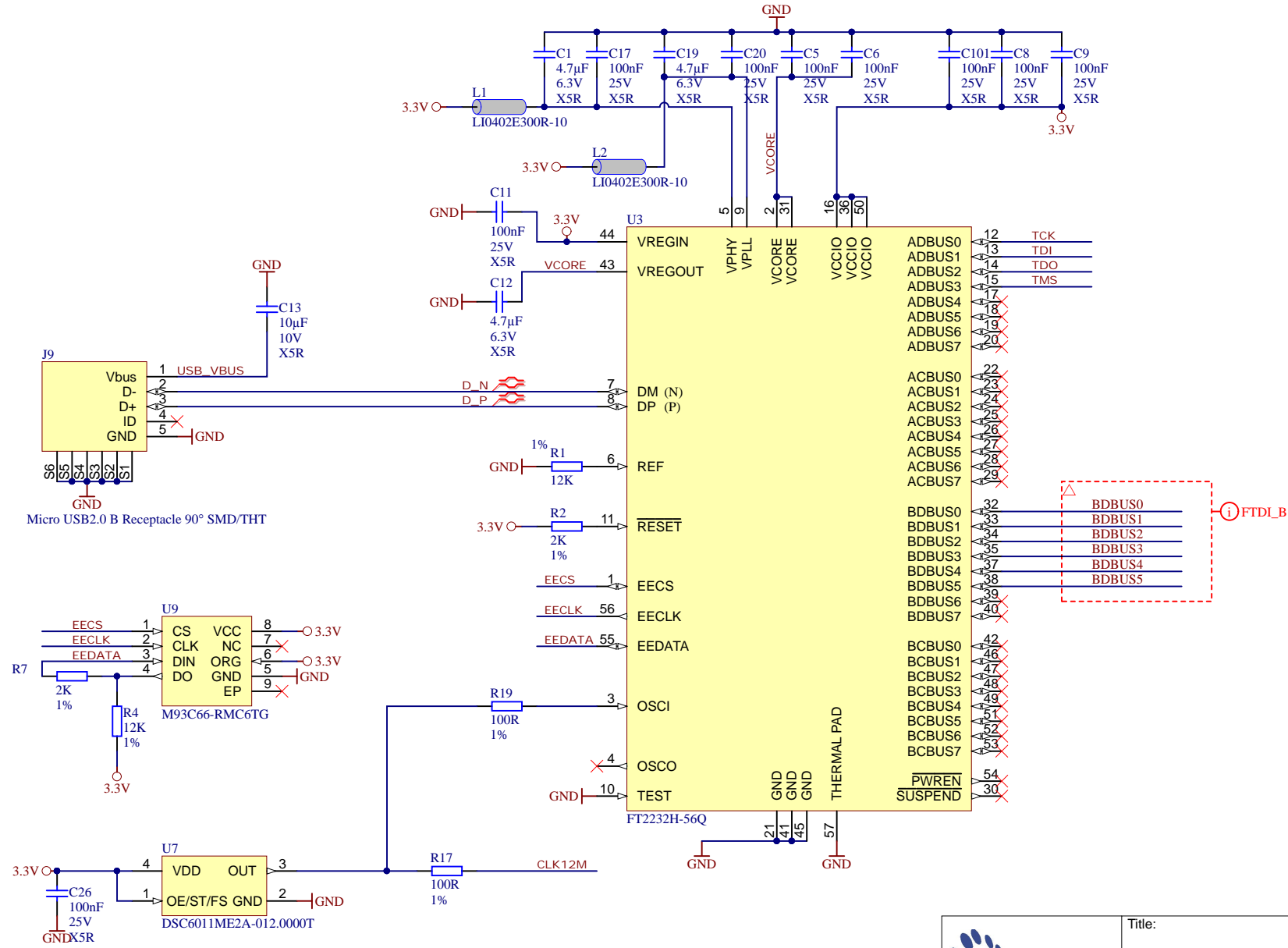
			Title:	
			A4	Number: TEI0010 08-C8
Date: 16.07.2018		Copyright: Trenz Electronic GmbH		Page3 of 9
Filename: FPGA_MISC.SchDoc				



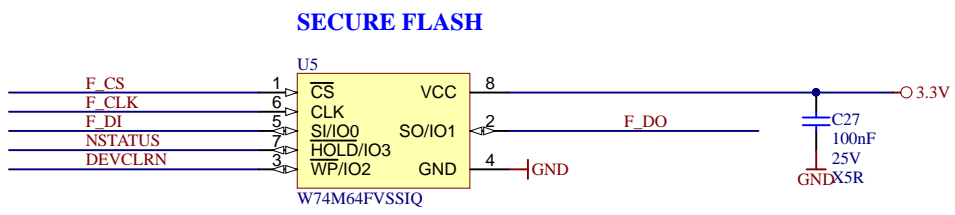
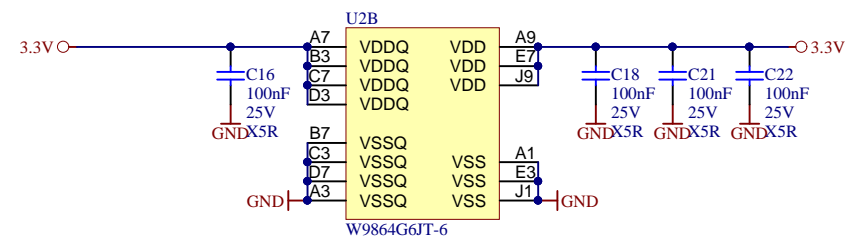
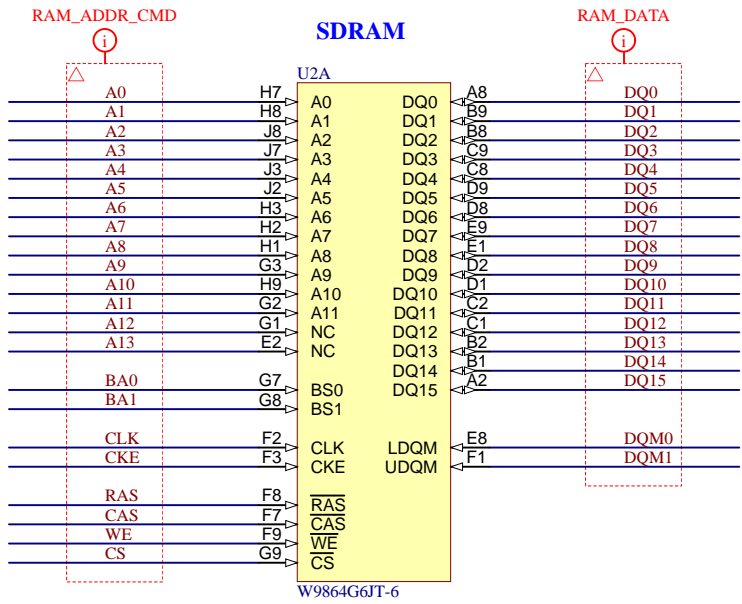
Resistor Set Oscillator



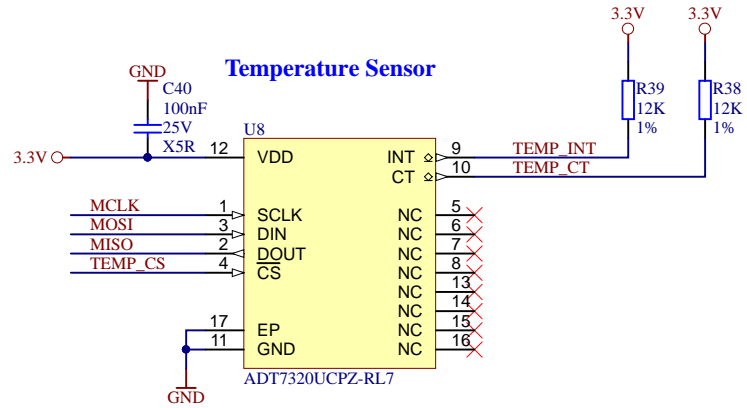
Title:		
A4	Number: TEI0010 08-C8	Rev. 02
Date: 16.07.2018	Copyright: Trenz Electronic GmbH	Page4 of 9
Filename: FPGA.SchDoc		



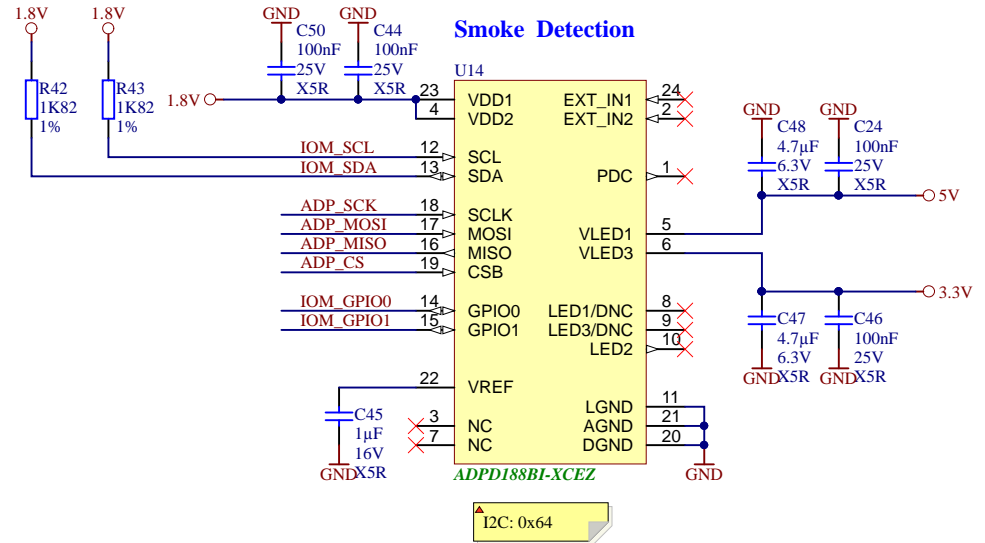
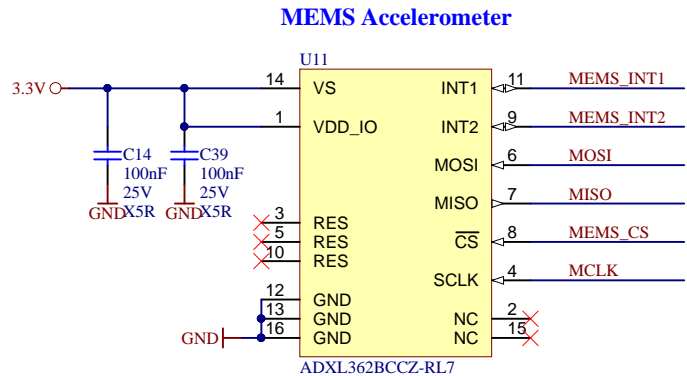
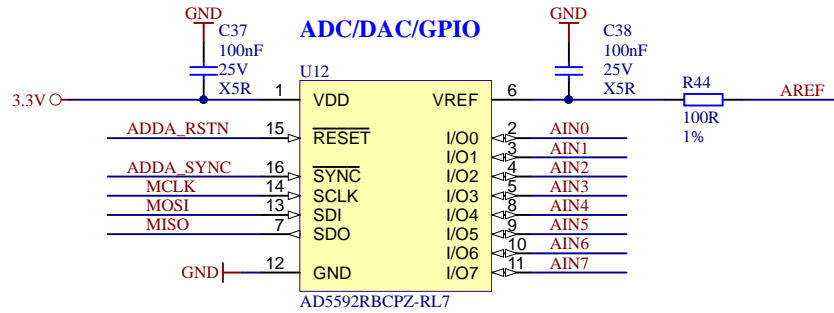
Title:		
A4	Number: TEI0010 08-C8	Rev. 02
Date: 16.07.2018	Copyright: Trenz Electronic GmbH	Page5 of 9
Filename: FTDI.SchDoc		




Title:		
A4	Number: TEI0010 08-C8	Rev. 02
Date: 16.07.2018	Copyright: Trenz Electronic GmbH	Page 6 of 9
Filename: SENSOR_Flash_RAM.SchDoc		



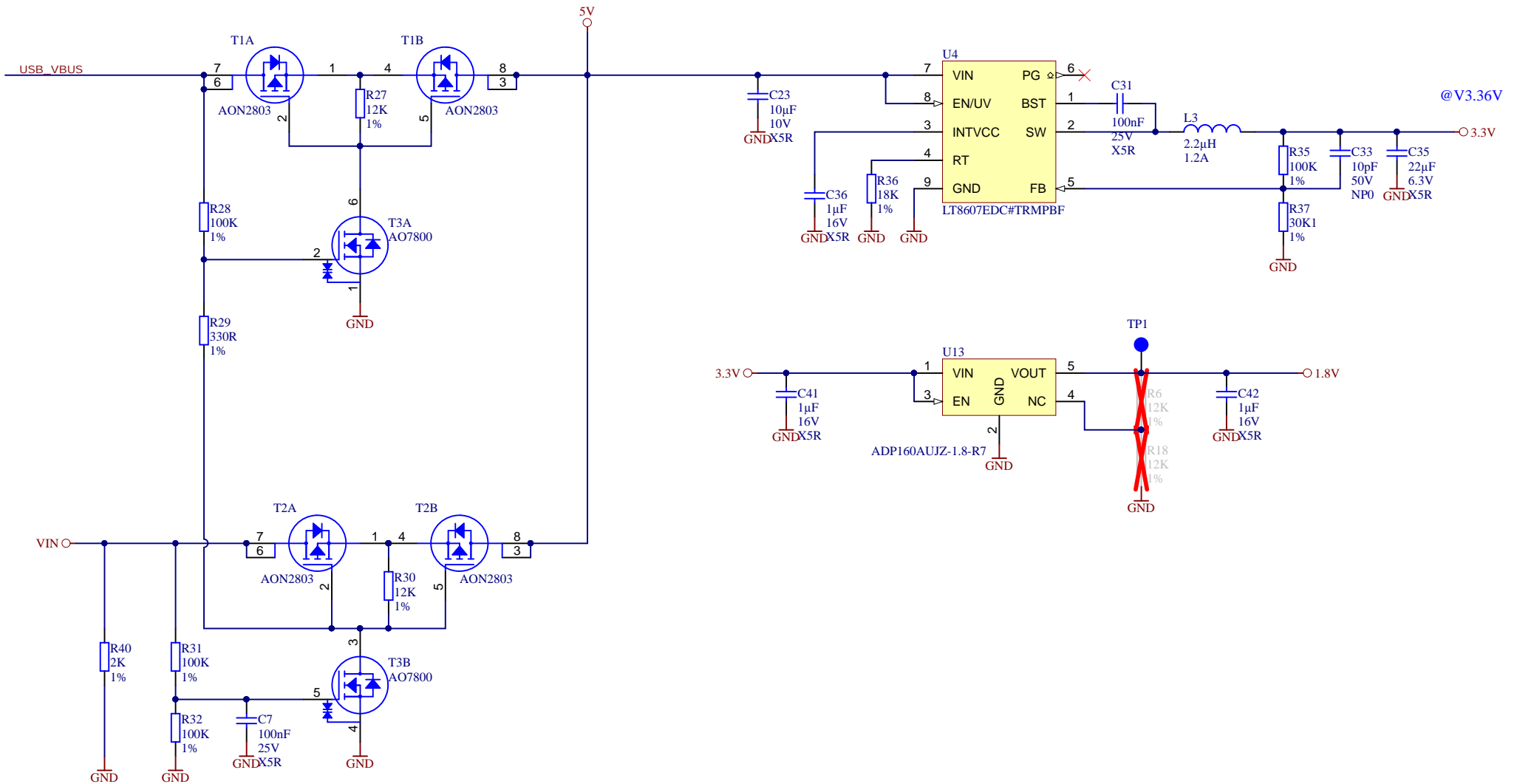
The voltage range for the external reference is 1 V to 3.3V
Internal reference is 2.5 V



I2C: 0x64



Title:		
A4	Number: TEI0010 08-C8	Rev. 02
Date: 16.07.2018	Copyright: Trenz Electronic GmbH	Page 7 of 9
Filename: Sensors.SchDoc		



Title:		
A4	Number: TEI0010 08-C8	Rev. 02
Date: 16.07.2018	Copyright: Trenz Electronic GmbH	Page 8 of 9
Filename: PowerSupply.SchDoc		

1

2

3

4

REV02

- 1) changed I2C pullup value
- 2) added SPI support for the ADPD device

A

A

B


B

C

C

D

D

				Title:			
				A4	Number: TEI0010 08-C8		Rev. 02
Date: 16.07.2018		Copyright: Trenz Electronic GmbH		Page9 of 9			
Filename:				Revision_Changes.SchDoc			

1

2

3

4