

1

2

3

4

A

A

B

B

C

C

D

D

U\_A-Headers  
A-Headers.SchDoc

U\_FPGA  
FPGA.SchDoc

Mount.Hole 2mm (unplated)

U\_SENSOR\_Flash\_RAM  
SENSOR\_Flash\_RAM.SchDoc

Mount.Hole 2mm (unplated)

U\_PowerSupply  
PowerSupply.SchDoc

Mount.Hole 2mm (unplated)

U\_FTDI  
FTDI.SchDoc

Mount.Hole 2mm (unplated)

PM1	PM2
FIDU-DOT - mini	FIDU-DOT - mini
PM3	PM4
FIDU-DOT - mini	FIDU-DOT - mini
PM5	PM6
FIDU-DOT - mini	FIDU-DOT - mini

LOGO1

LOGO PRINT

Serial1

Serialnumber 6,3 x 6.3mm



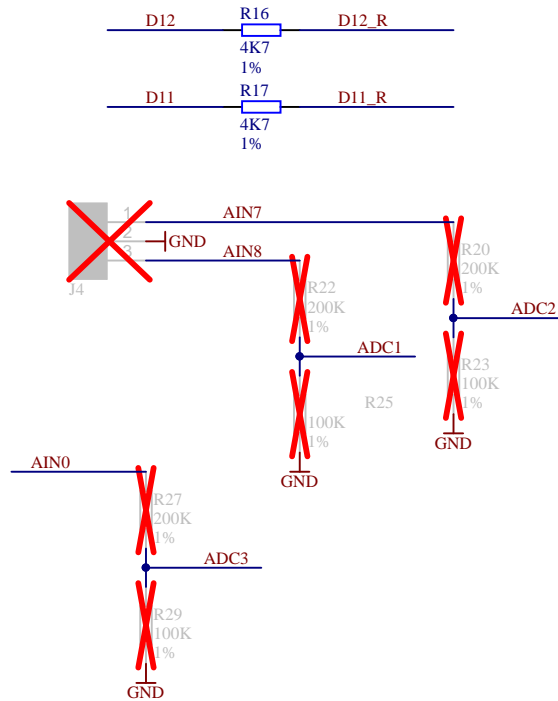
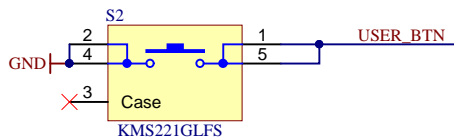
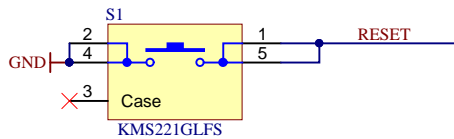
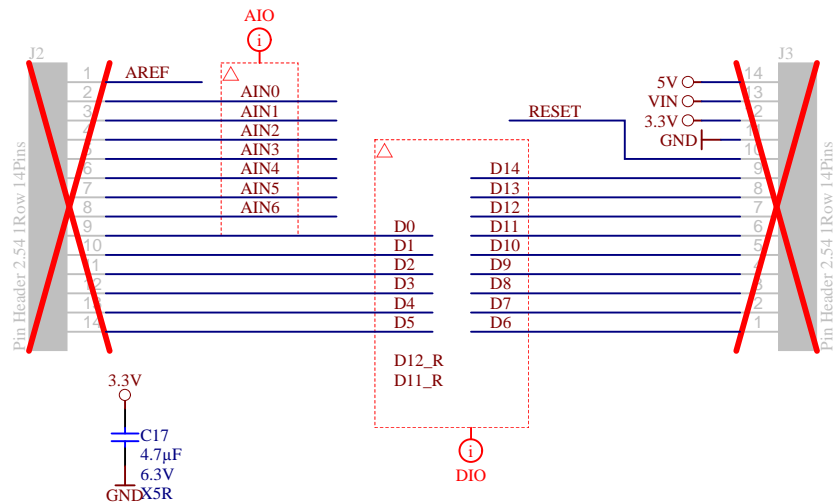
Title: XO2000		
A4	Number: TEL0001 Reduced	Rev. 01
Date: 2017-05-30	Copyright: Trenz Electronic GmbH	Page1 of 6
Filename: TEL0001.SchDoc		

1

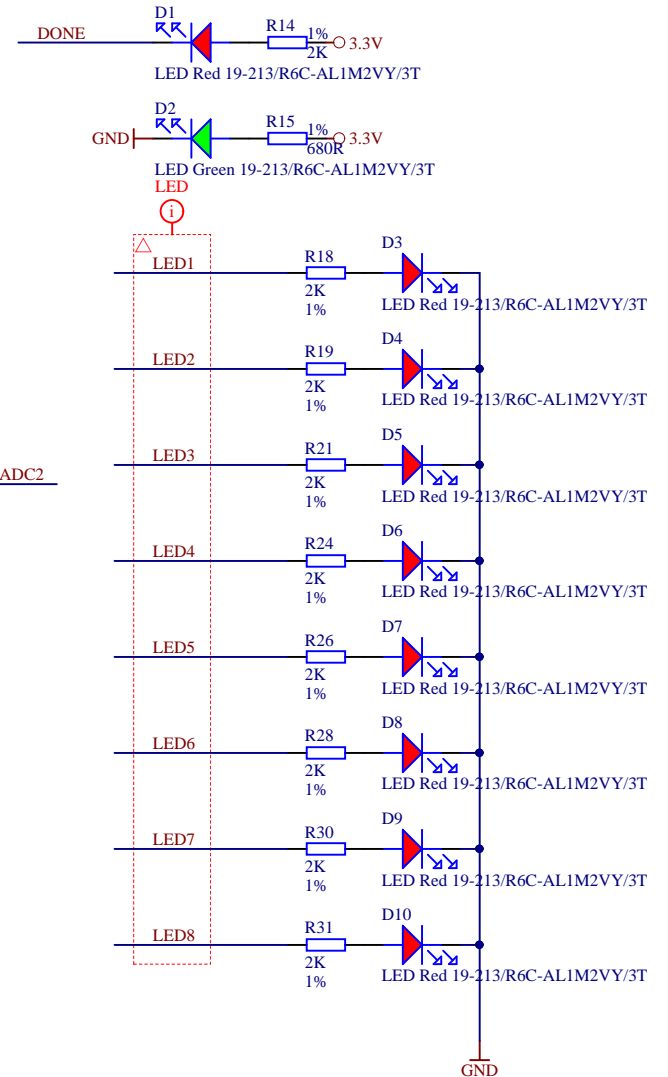
2

3

4

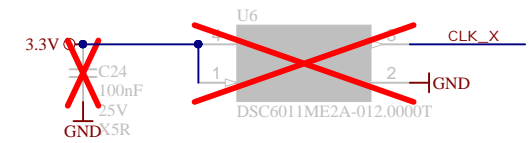
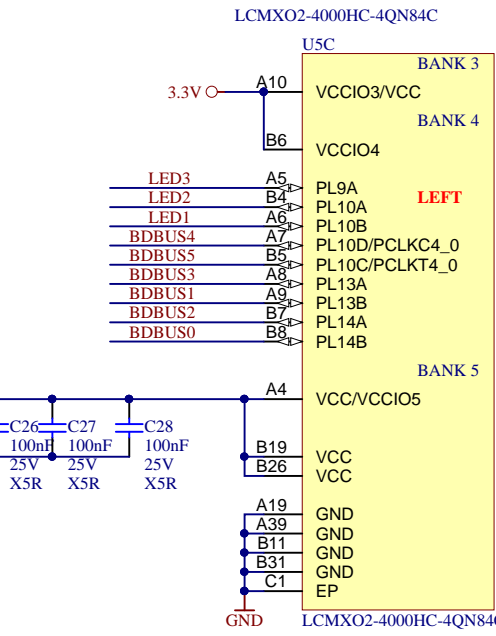
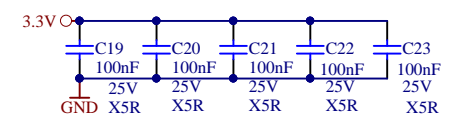
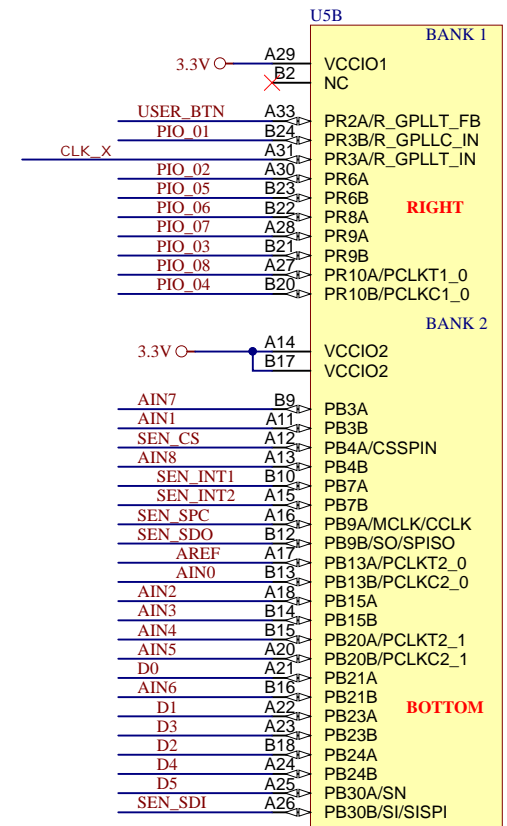
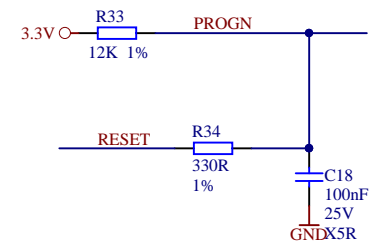
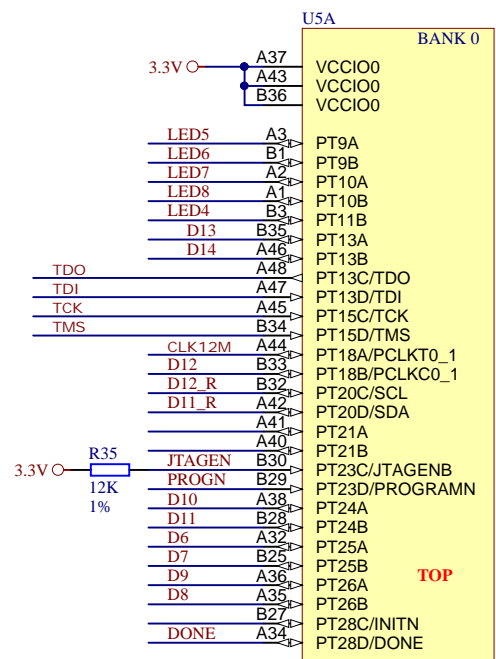


DUAL Function: JTAG or USER I/O if FT2232H not installed

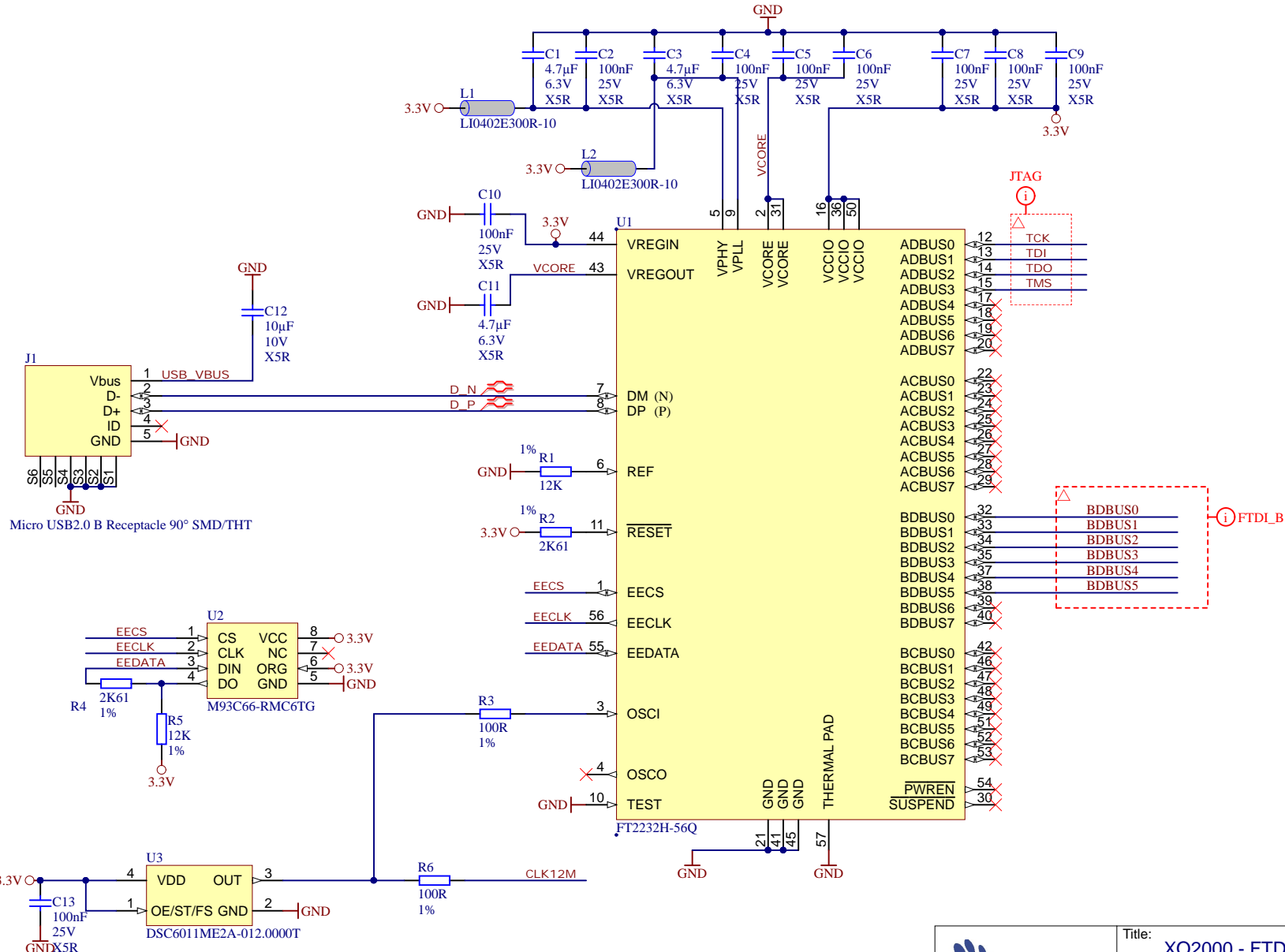


Title: XO2000 - Headers		
A4	Number: TEL0001 Reduced	Rev. 01
Date: 2017-05-30	Copyright: Trenz Electronic GmbH	Page2 of 6
Filename: A-Headers.SchDoc		





Title: XO2000 - FPGA		
A4	Number: TEL0001 Reduced	Rev. 01
Date: 2017-05-30	Copyright: Trenz Electronic GmbH	Page3 of 6
Filename: FPGA.SchDoc		



Title: XO2000 - FTDI		
A4	Number: TEL0001 Reduced	Rev. 01
Date: 2017-05-30	Copyright: Trenz Electronic GmbH	Page4 of 6
Filename: FTDI.SchDoc		

1

2

3

4

A

A

B

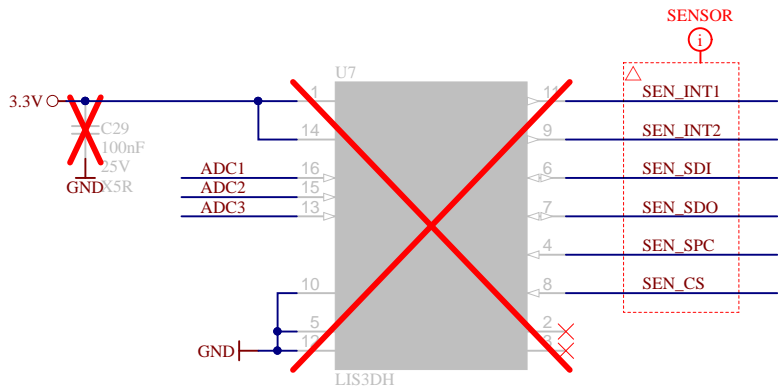
B

C

C

D

D



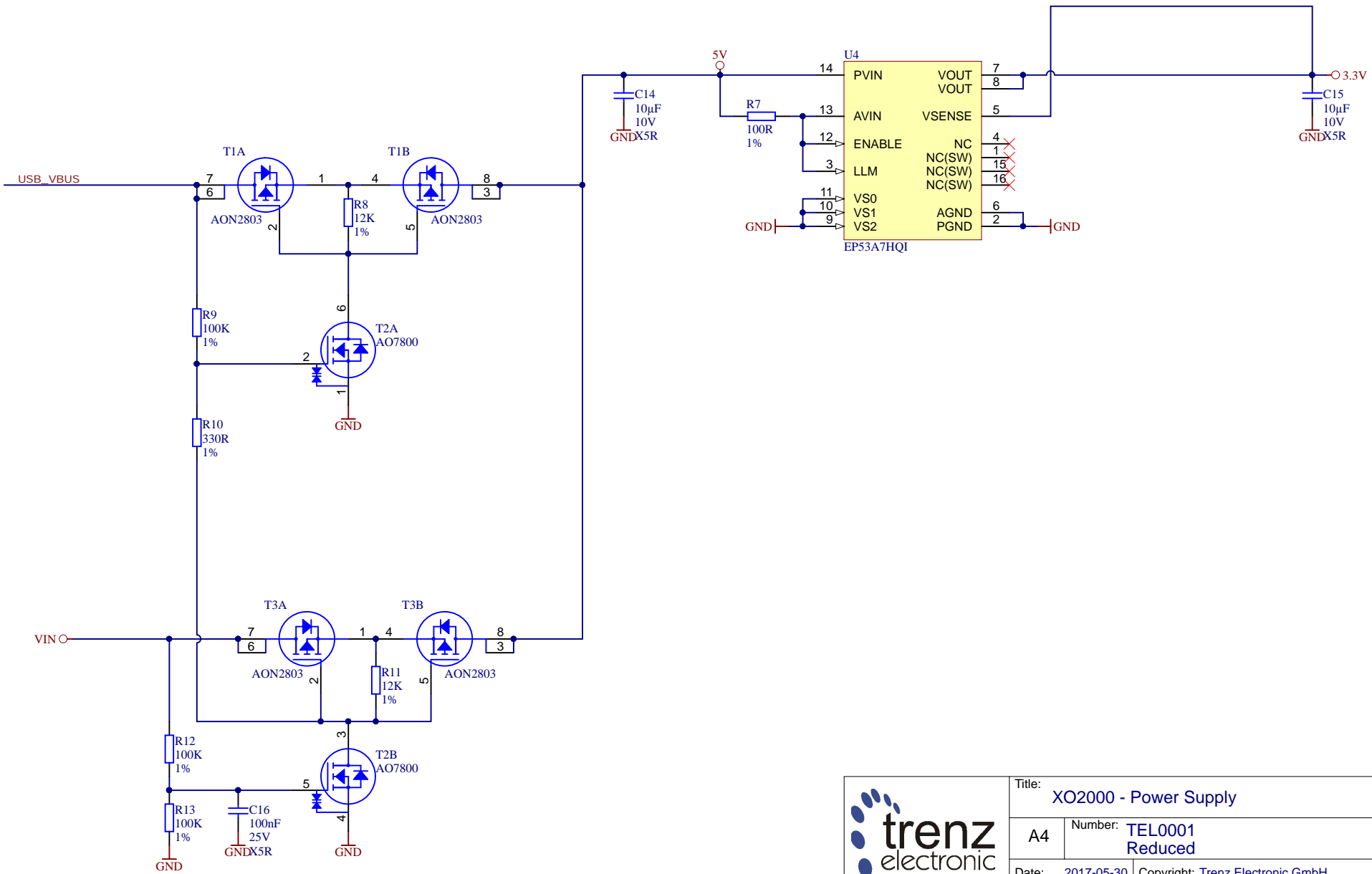
Title: <b>XO2000 - Sensor_Flash_SDRAM</b>		
A4	Number: <b>TEL0001 Reduced</b>	Rev. <b>01</b>
Date: <b>2017-05-30</b>	Copyright: <b>Trenz Electronic GmbH</b>	Page <b>5</b> of <b>6</b>
Filename: <b>SENSOR_Flash_RAM.SchDoc</b>		

1

2

3

4



Title: XO2000 - Power Supply		
A4	Number: TEL0001 Reduced	Rev. 01
Date: 2017-05-30	Copyright: Trenz Electronic GmbH	Page 6 of 6
Filename: PowerSupply.SchDoc		