

1

2

3

4

U\_A-Headers  
A-Headers.SchDoc

U\_SENSOR\_Flash\_RAM  
SENSOR\_Flash\_RAM.SchDoc

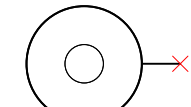
U\_PowerSupply  
PowerSupply.SchDoc

U\_FTDI  
FTDI.SchDoc

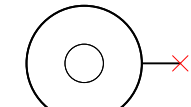
U\_Soc\_1  
Soc\_1.SchDoc

U\_Soc\_2  
Soc\_2.SchDoc

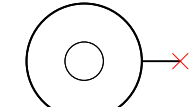
U\_Soc\_3  
Soc\_3.SchDoc



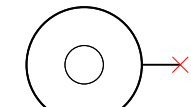
Mount.Hole 2mm (unplated)



Mount.Hole 2mm (unplated)



Mount.Hole 2mm (unplated)



Mount.Hole 2mm (unplated)

LOGO1



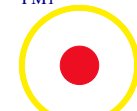
LOGO PRINT

Serial



Serialnumber 6,3 x 6.3mm

PM1



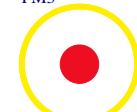
FIDU-DOT - mini

PM2



FIDU-DOT - mini

PM3



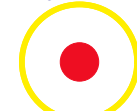
FIDU-DOT - mini

PM4



FIDU-DOT - mini

PM5



FIDU-DOT - mini

PM6



FIDU-DOT - mini



Title: TEM0001		
A4	Number: TEM0001 010C	Rev. 01
Date: 2017-09-04	Copyright: Trenz Electronic GmbH	Page1 of 8
Filename: TEM0001.SchDoc		

1

2

3

4

A

A

B

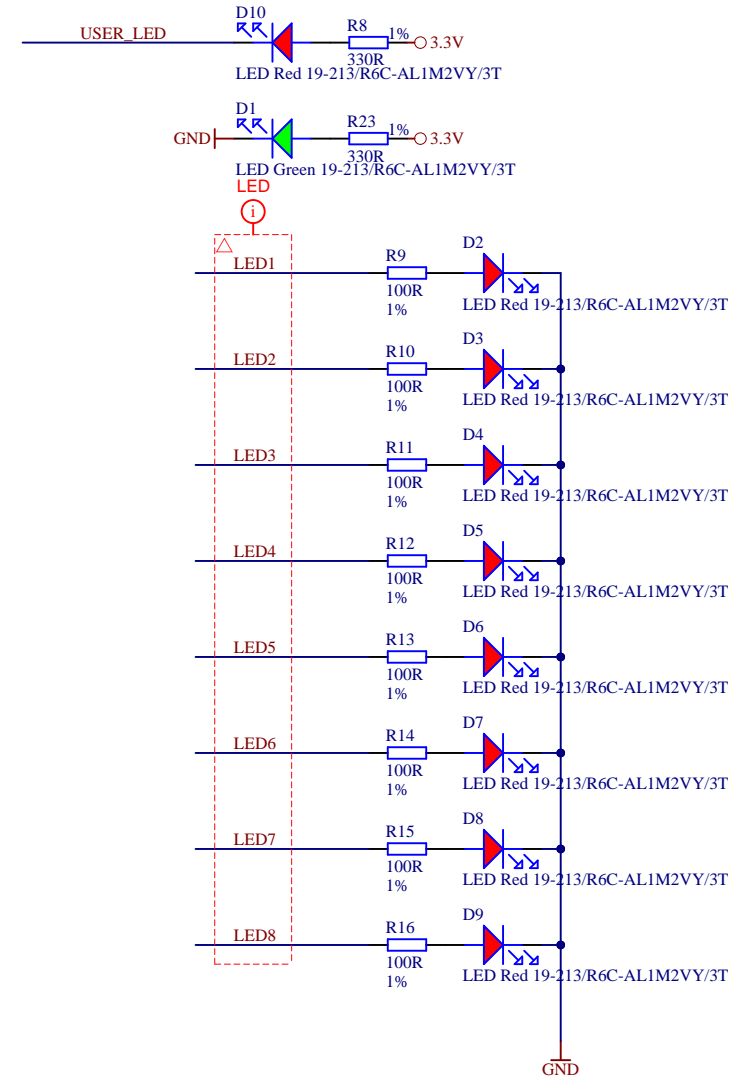
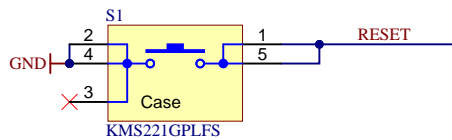
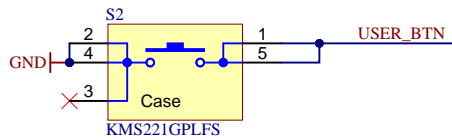
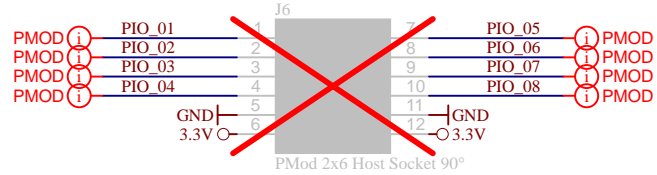
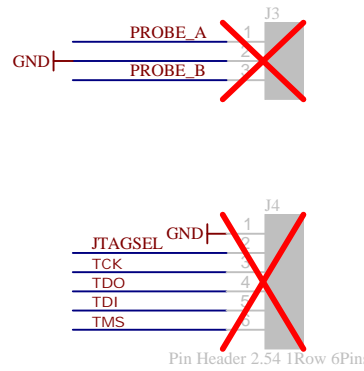
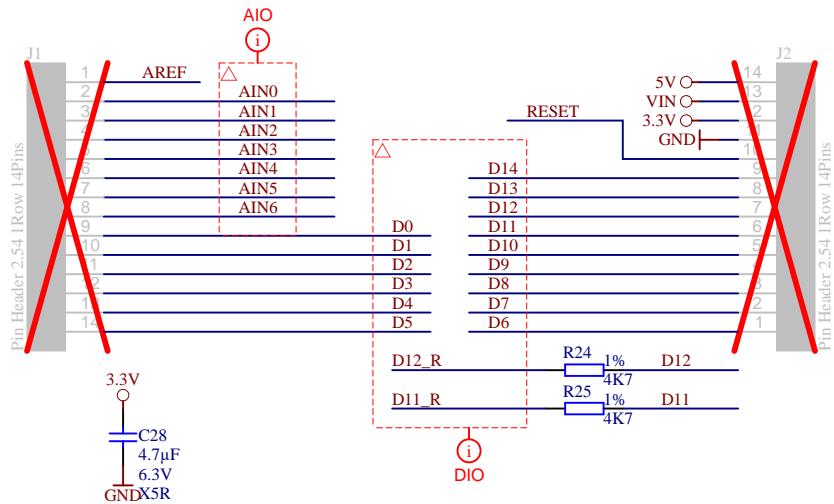
B

C

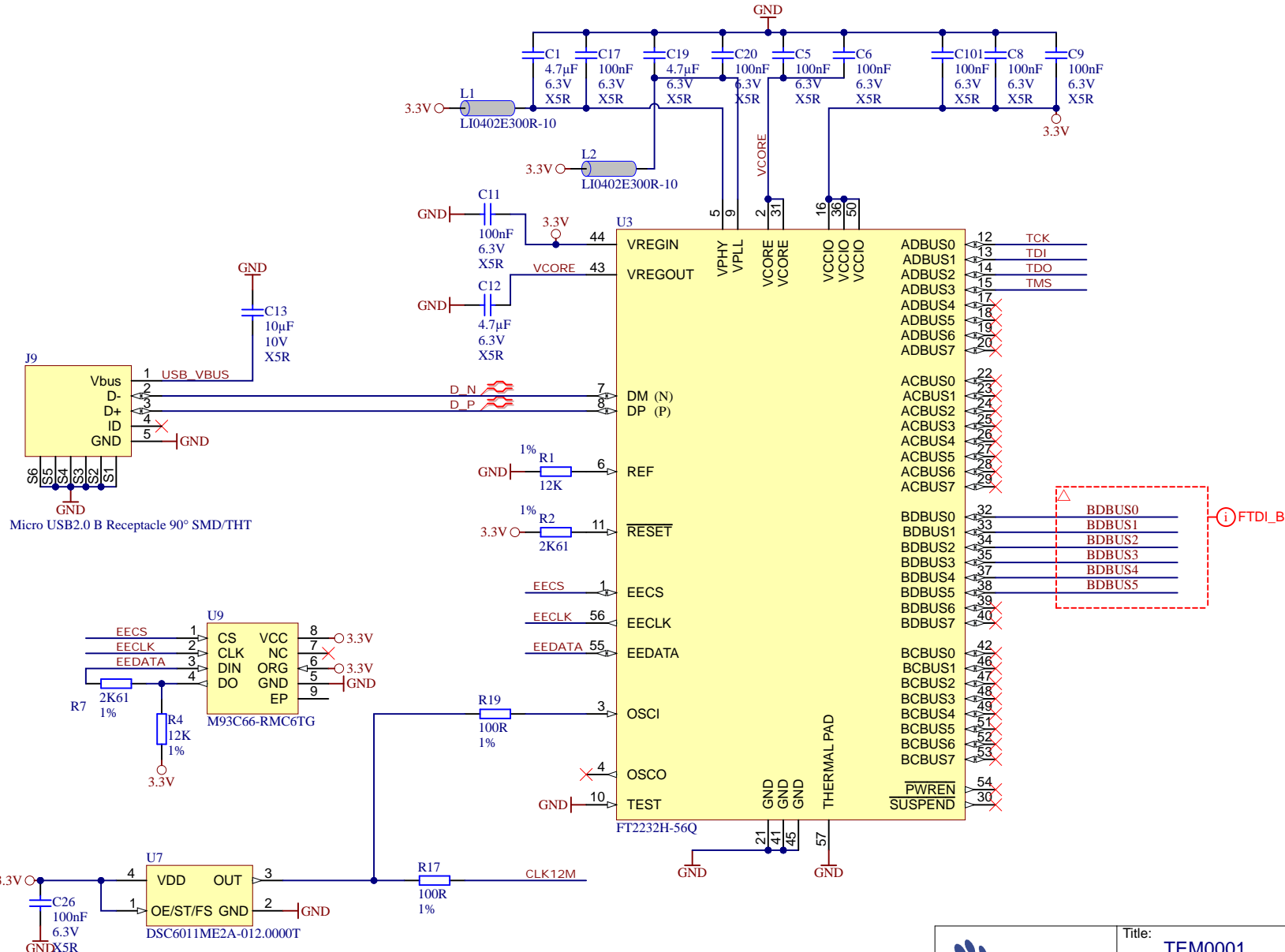
C

D

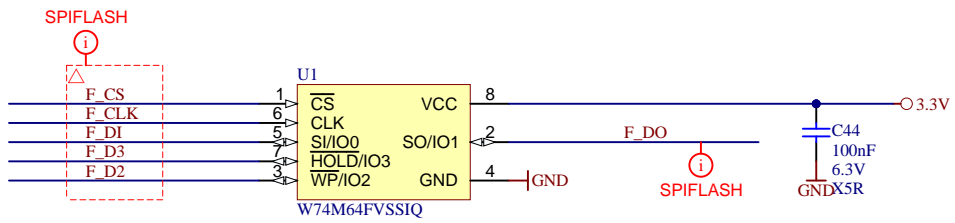
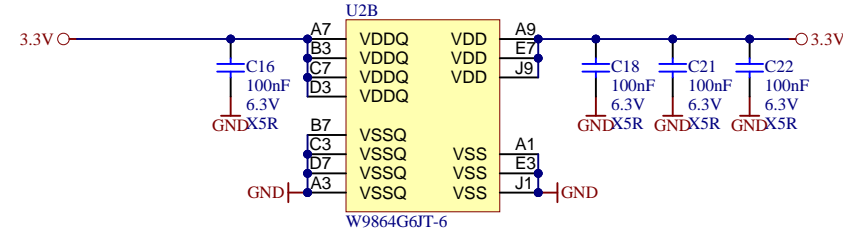
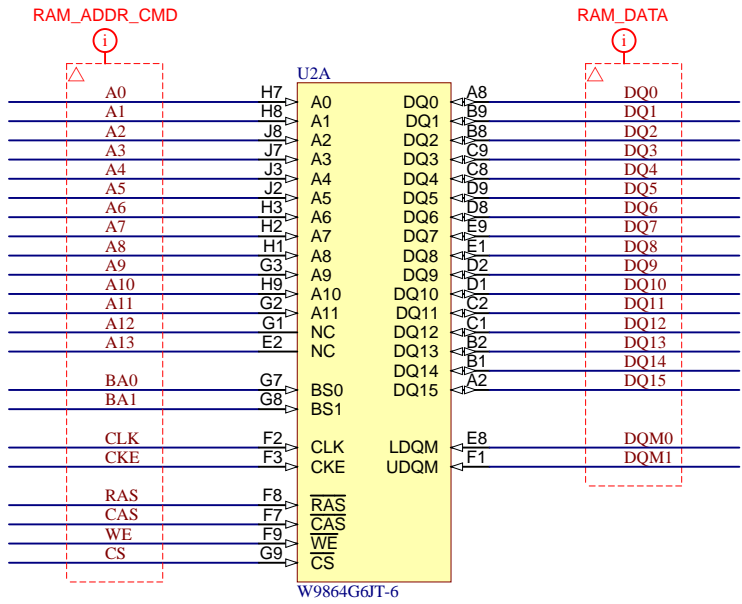
D



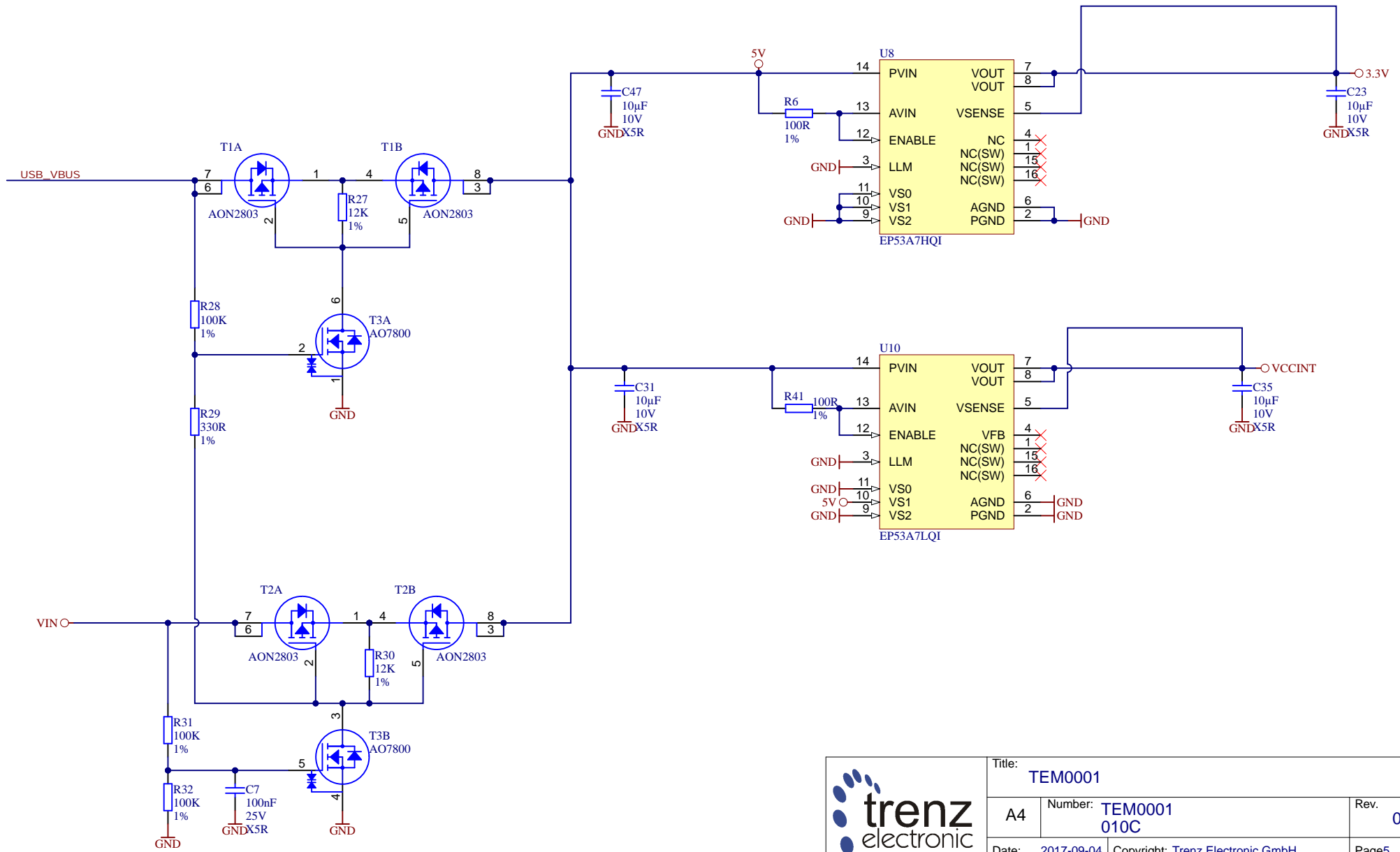
Title: TEM0001		
A4	Number: TEM0001 010C	Rev. 01
Date: 2017-09-04	Copyright: Trenz Electronic GmbH	Page2 of 8
Filename: A-Headers.SchDoc		



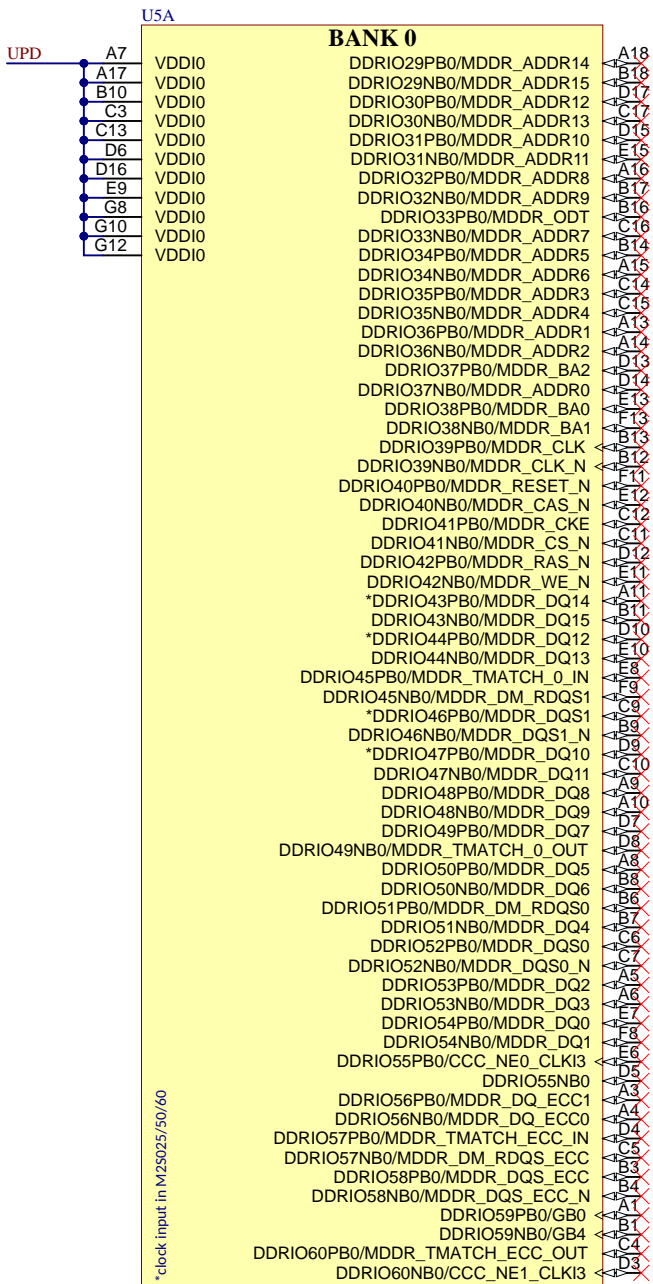
Title: TEM001		
A4	Number: TEM001 010C	Rev. 01
Date: 2017-09-04	Copyright: Trenz Electronic GmbH	Page3 of 8
Filename: FTDI.SchDoc		



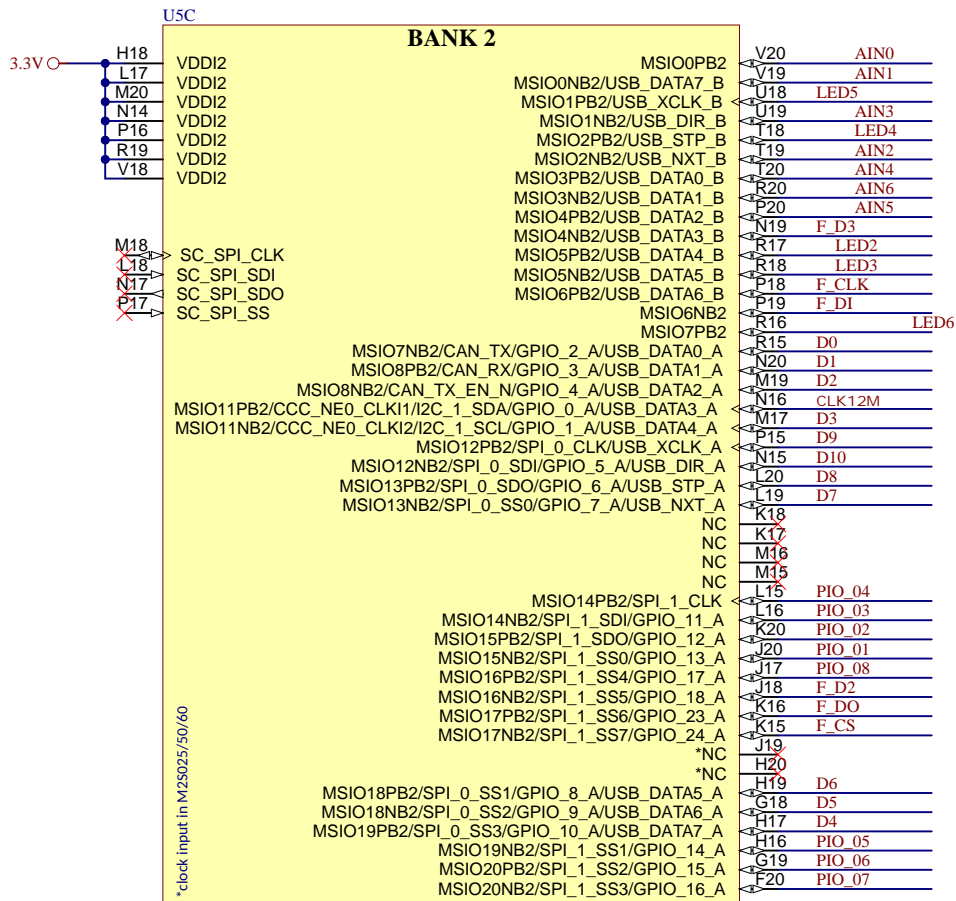
Title: TEM0001		
A4	Number: TEM0001 010C	Rev. 01
Date: 2017-09-04	Copyright: Trenz Electronic GmbH	Page4 of 8
Filename: SENSOR_Flash_RAM.SchDoc		



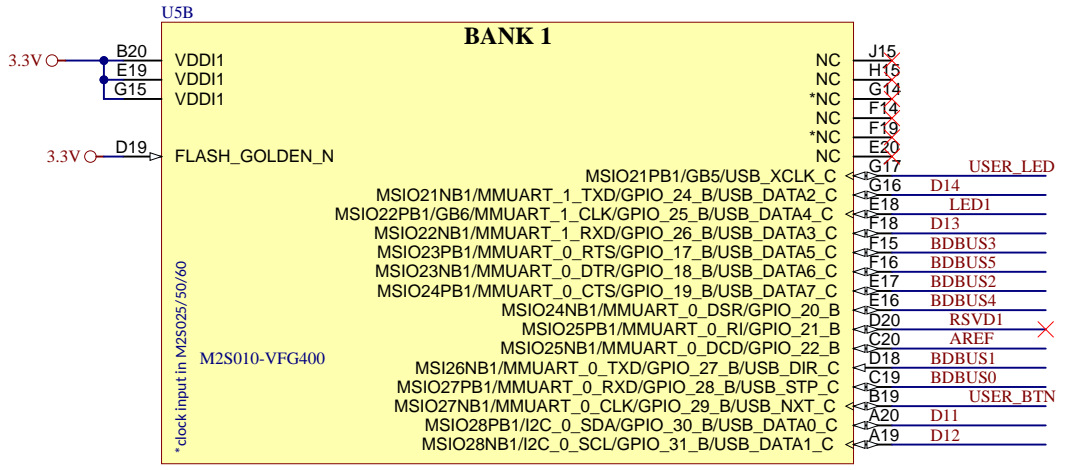
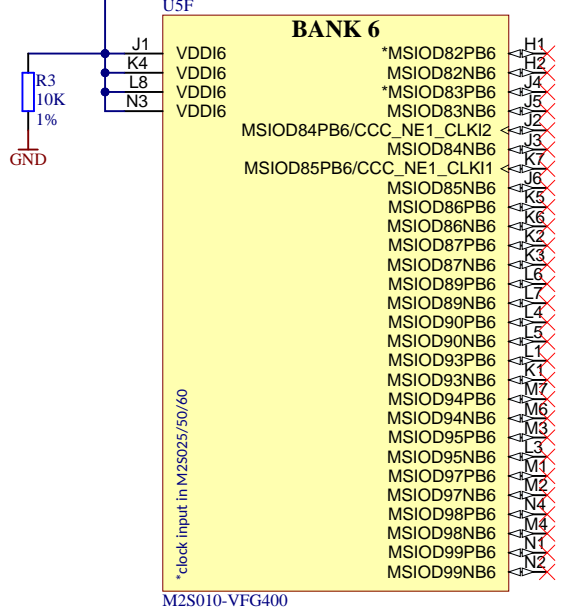
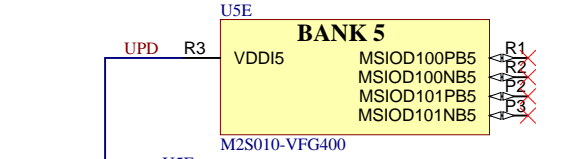
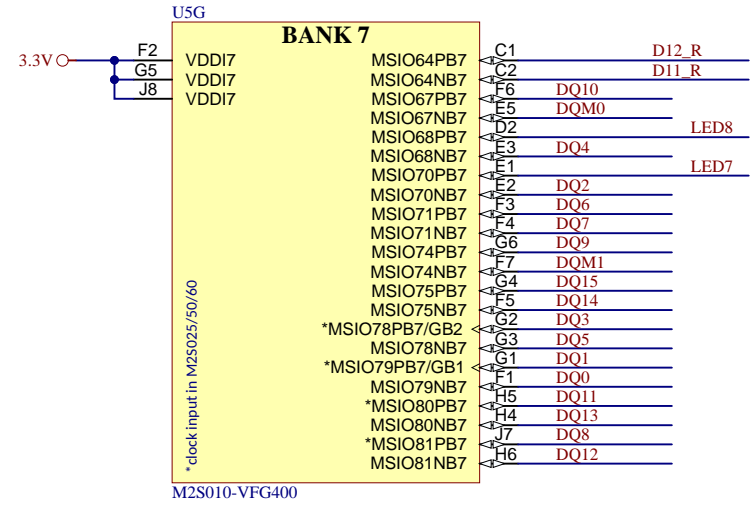
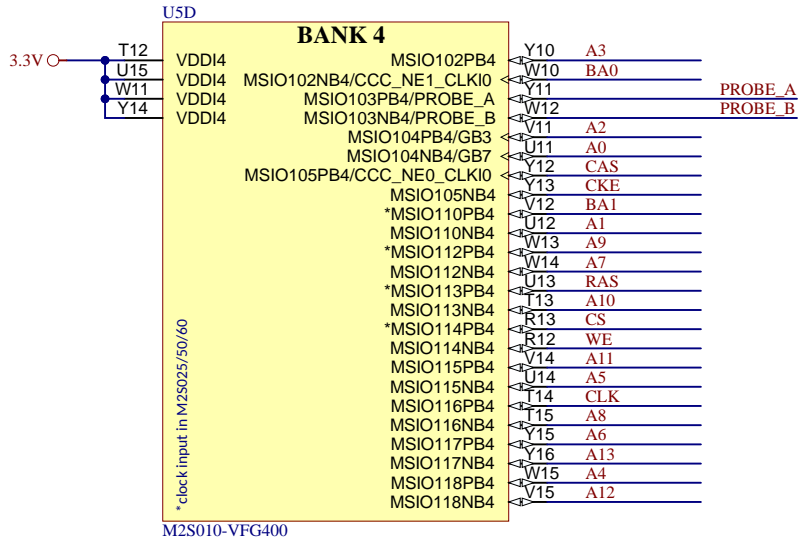
Title: TEM0001		
A4	Number: TEM0001 010C	Rev. 01
Date: 2017-09-04	Copyright: Trenz Electronic GmbH	Page5 of 8
Filename: PowerSupply.SchDoc		



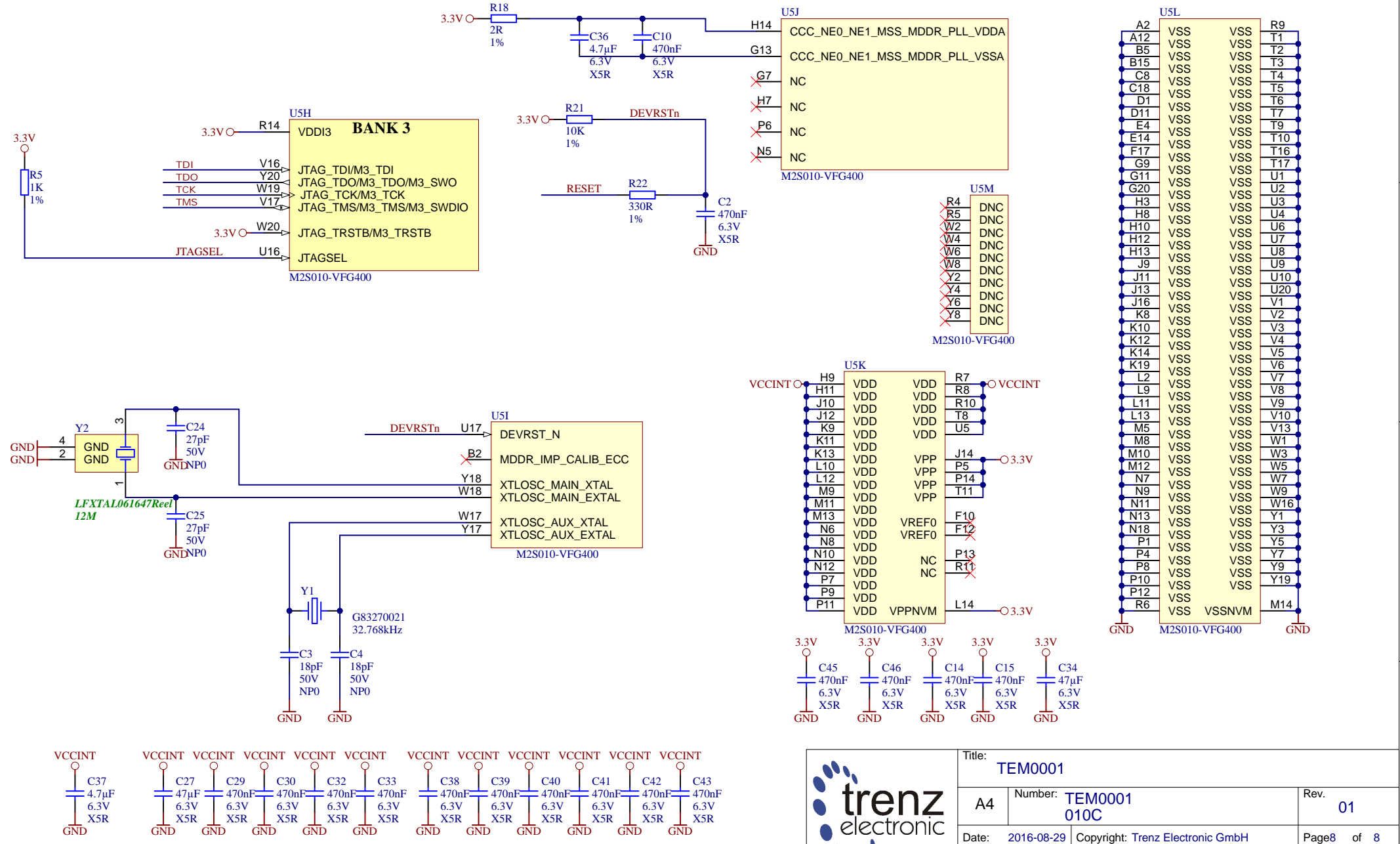
M2S010-VFG400



Title: TEM001		
A4	Number: TEM001 010C	Rev. 01
Date: 2016-08-29	Copyright: Trenz Electronic GmbH	Page6 of 8
Filename: Soc_1.SchDoc		



Title: TEM001		
A4	Number: TEM001 010C	Rev. 01
Date: 2016-08-29	Copyright: Trenz Electronic GmbH	Page7 of 8
Filename: Soc_2.SchDoc		



Title: TEM001		
A4	Number: TEM001 010C	Rev. 01
Date: 2016-08-29	Copyright: Trenz Electronic GmbH	Page 8 of 8
Filename: Soc_3.SchDoc		