

1

2

3

4

U_A-Headers
A-Headers.SchDoc

U_SENSOR_Flash_RAM
SENSOR_Flash_RAM.SchDoc

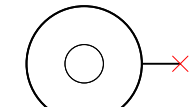
U_PowerSupply
PowerSupply.SchDoc

U_FTDI
FTDI.SchDoc

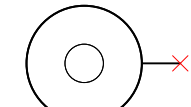
U_Soc_1
Soc_1.SchDoc

U_Soc_2
Soc_2.SchDoc

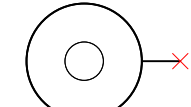
U_Soc_3
Soc_3.SchDoc



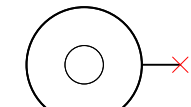
Mount.Hole 2mm (unplated)



Mount.Hole 2mm (unplated)



Mount.Hole 2mm (unplated)



Mount.Hole 2mm (unplated)

LOGO1

TE Logo PRINT Layer

LOGO PRINT

Serial

Serial

Serialnumber 6,3 x 6.3mm

PM1



FIDU-DOT - mini

PM2



FIDU-DOT - mini

PM3



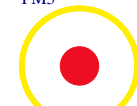
FIDU-DOT - mini

PM4



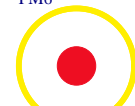
FIDU-DOT - mini

PM5



FIDU-DOT - mini

PM6



FIDU-DOT - mini



Title: TEM0001		
A4	Number: TEM0001 ABC-2	Rev. 01
Date: 2017-09-04	Copyright: Trenz Electronic GmbH	Page1 of 8
Filename: TEM0001.SchDoc		

1

2

3

4

A

A

B

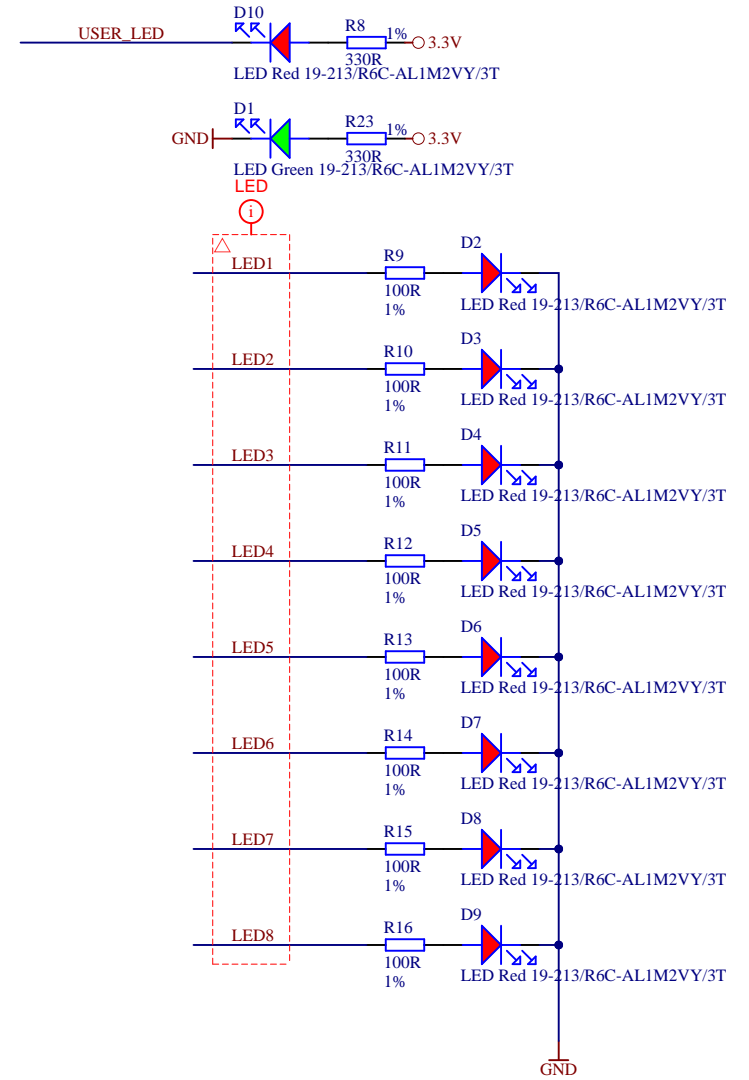
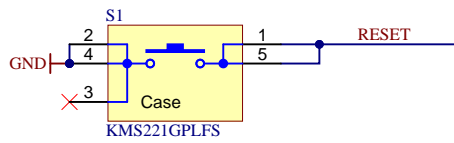
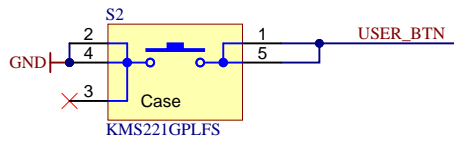
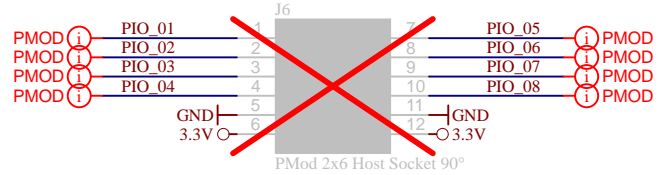
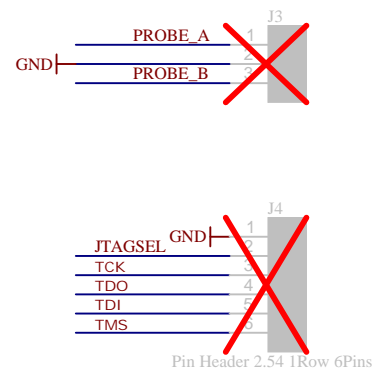
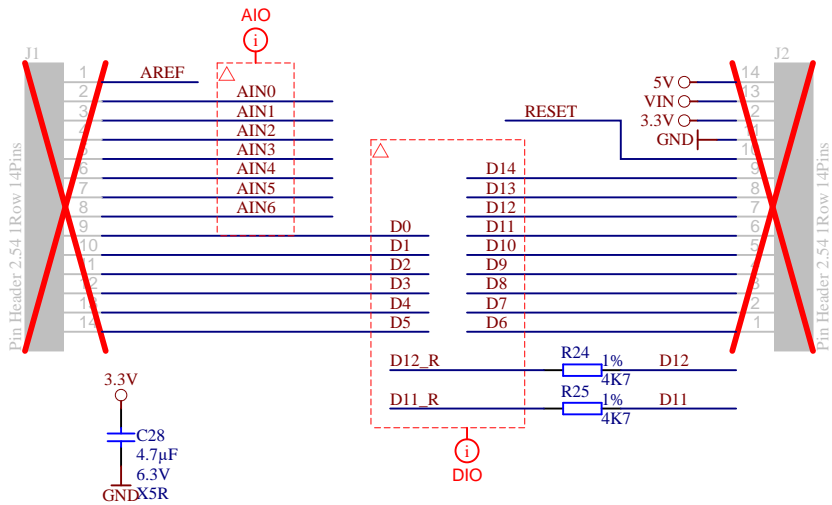
B

C

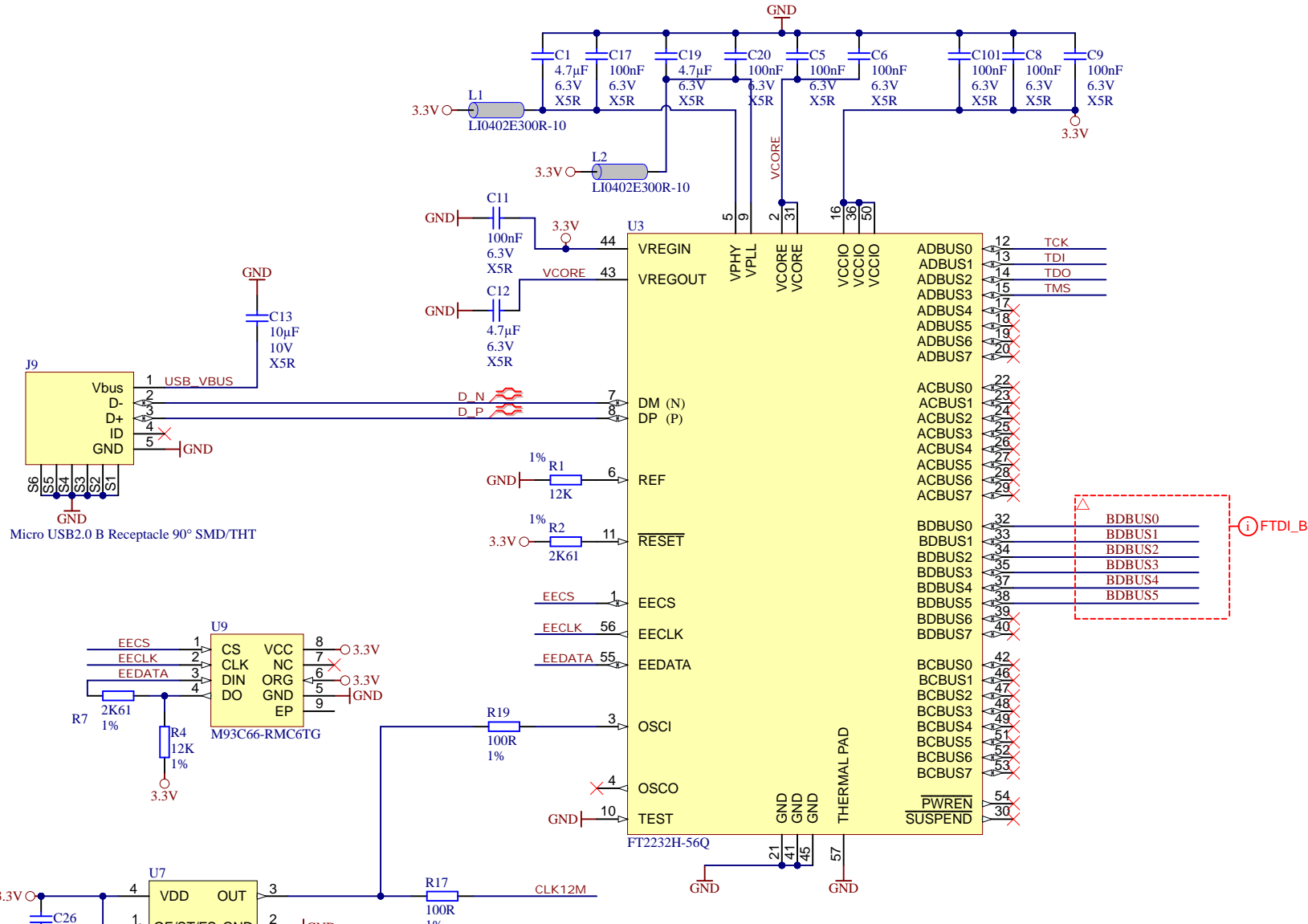
C

D

D



Title: TEM0001		
A4	Number: TEM0001 ABC-2	Rev. 01
Date: 2017-09-04	Copyright: Trenz Electronic GmbH	Page2 of 8
Filename: A-Headers.SchDoc		



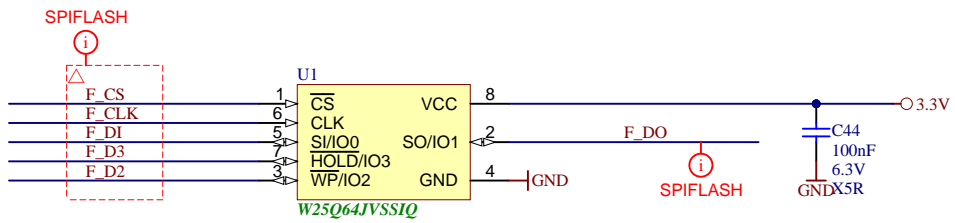
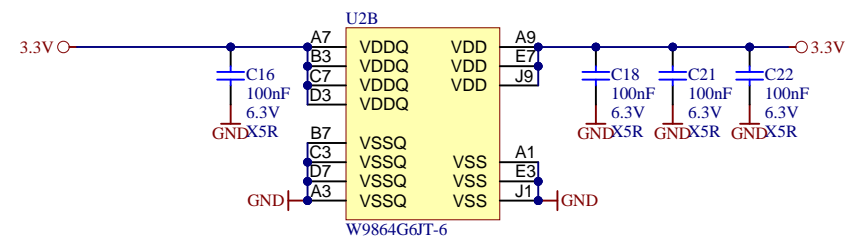
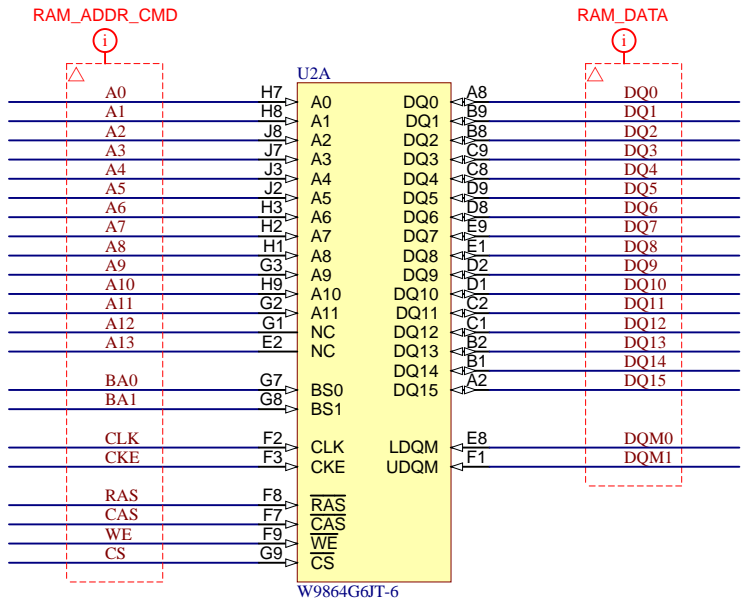
Micro USB2.0 B Receptacle 90° SMD/THT

M93C66-RMC6TG

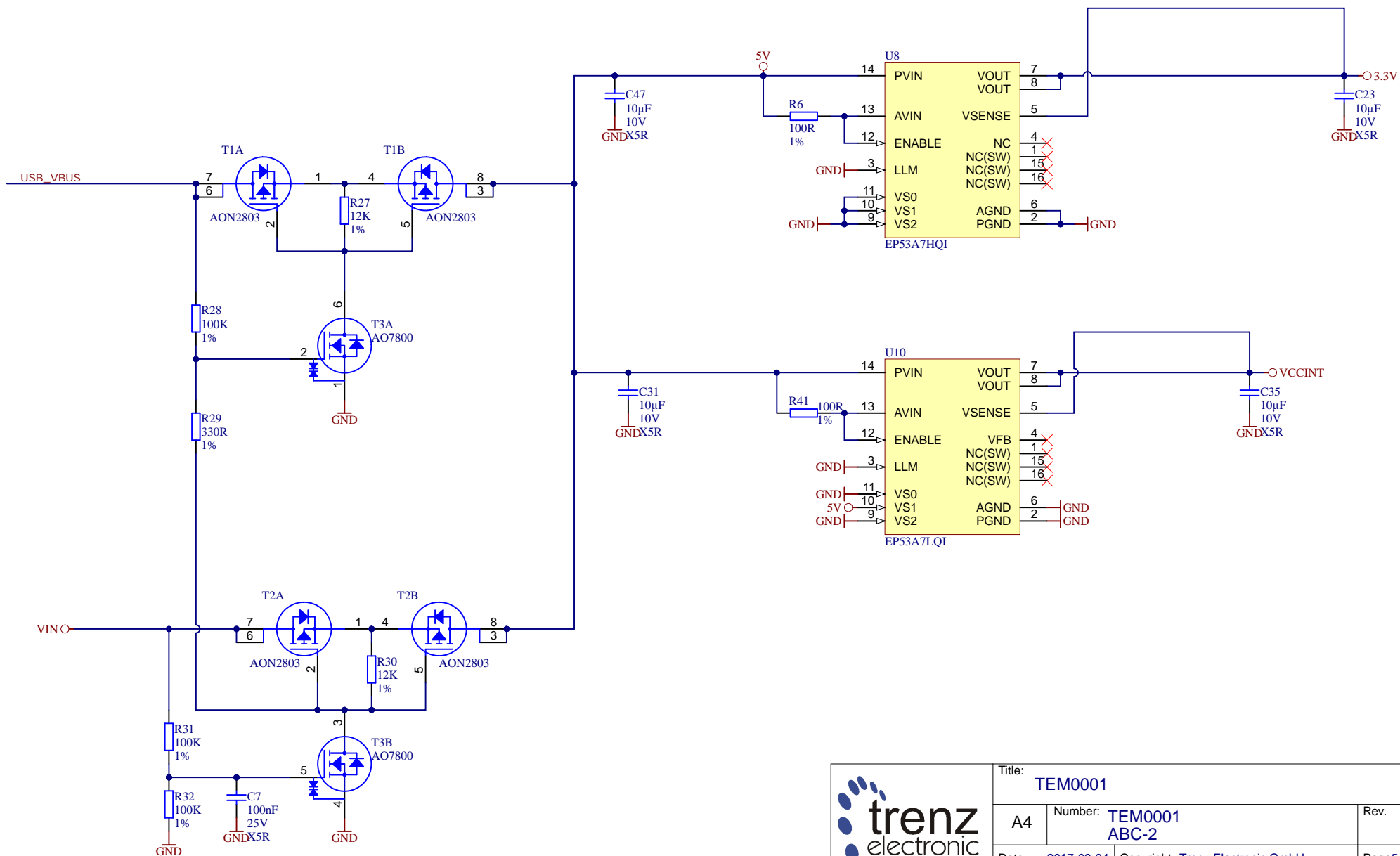
DSC6011ME2B-012.0000T




Title: TEM0001		
A4	Number: TEM0001 ABC-2	Rev. 01
Date: 2017-09-04	Copyright: Trenz Electronic GmbH	Page3 of 8
Filename: FTDI.SchDoc		



Title: TEM0001		
A4	Number: TEM0001 ABC-2	Rev. 01
Date: 2017-09-04	Copyright: Trenz Electronic GmbH	Page 4 of 8
Filename: SENSOR_Flash_RAM.SchDoc		



			Title: TEM001	
			A4	Number: TEM001 ABC-2
Date: 2017-09-04		Copyright: Trenz Electronic GmbH		Page 5 of 8
Filename: PowerSupply.SchDoc				

USA

BANK 0

A7	VDDI0	DDRIO29PB0/MDDR_ADDR14	A18
A17	VDDI0	DDRIO29NB0/MDDR_ADDR15	B18
B10	VDDI0	DDRIO30PB0/MDDR_ADDR12	D17
C3	VDDI0	DDRIO30NB0/MDDR_ADDR13	C17
C13	VDDI0	DDRIO31PB0/MDDR_ADDR10	D15
D6	VDDI0	DDRIO31NB0/MDDR_ADDR11	E15
D16	VDDI0	DDRIO32PB0/MDDR_ADDR8	A16
E9	VDDI0	DDRIO32NB0/MDDR_ADDR9	B17
G8	VDDI0	DDRIO33PB0/MDDR_ODT	B16
G10	VDDI0	DDRIO33NB0/MDDR_ADDR7	C16
G12	VDDI0	DDRIO34PB0/MDDR_ADDR5	B14
		DDRIO34NB0/MDDR_ADDR6	A15
		DDRIO35PB0/MDDR_ADDR3	C14
		DDRIO35NB0/MDDR_ADDR4	C15
		DDRIO36PB0/MDDR_ADDR1	A14
		DDRIO36NB0/MDDR_ADDR2	D13
		DDRIO37PB0/MDDR_BA2	D14
		DDRIO37NB0/MDDR_ADDR0	E13
		DDRIO38PB0/MDDR_BA0	F13
		DDRIO38NB0/MDDR_BA1	B13
		DDRIO39PB0/MDDR_CLK	B12
		DDRIO39NB0/MDDR_CLK_N	F12
		DDRIO40PB0/MDDR_RESET_N	E12
		DDRIO40NB0/MDDR_CAS_N	C12
		DDRIO41PB0/MDDR_CKE	C11
		DDRIO41NB0/MDDR_CS_N	F11
		DDRIO42PB0/MDDR_RAS_N	E11
		DDRIO42NB0/MDDR_WE_N	A11
		*DDRIO43PB0/MDDR_DQ14	B11
		DDRIO43NB0/MDDR_DQ15	D10
		*DDRIO44PB0/MDDR_DQ12	F10
		DDRIO44NB0/MDDR_DQ13	E10
		DDRIO45PB0/MDDR_TMATCH_0_IN	F9
		DDRIO45NB0/MDDR_DM_RDQS1	C9
		*DDRIO46PB0/MDDR_DQS1	B9
		DDRIO46NB0/MDDR_DQS1_N	D9
		*DDRIO47PB0/MDDR_DQ10	C10
		DDRIO47NB0/MDDR_DQ11	A9
		DDRIO48PB0/MDDR_DQ8	A10
		DDRIO48NB0/MDDR_DQ9	D7
		DDRIO49PB0/MDDR_DQ7	F8
		DDRIO49NB0/MDDR_TMATCH_0_OUT	A8
		DDRIO50PB0/MDDR_DQ5	B8
		DDRIO50NB0/MDDR_DQ6	B6
		DDRIO51PB0/MDDR_DM_RDQS0	B7
		DDRIO51NB0/MDDR_DQ4	C6
		DDRIO52PB0/MDDR_DQS0	C7
		DDRIO52NB0/MDDR_DQS0_N	A5
		DDRIO53PB0/MDDR_DQ2	A16
		DDRIO53NB0/MDDR_DQ3	F7
		DDRIO54PB0/MDDR_DQ0	E8
		DDRIO54NB0/MDDR_DQ1	E6
		DDRIO55PB0/CCC_NE0_CLKI3	D5
		DDRIO55NB0	A3
		DDRIO56PB0/MDDR_DQ_ECC1	A4
		DDRIO56NB0/MDDR_DQ_ECC0	D4
		DDRIO57PB0/MDDR_TMATCH_ECC_IN	C5
		DDRIO57NB0/MDDR_DM_RDQS_ECC	B3
		DDRIO58PB0/MDDR_DQS_ECC	B4
		DDRIO58NB0/MDDR_DQS_ECC_N	A1
		DDRIO59PB0/GB0	B1
		DDRIO59NB0/GB4	C4
		DDRIO60PB0/MDDR_TMATCH_ECC_OUT	D3
		DDRIO60NB0/CCC_NE1_CLKI3	A3

*clock input in M25025/50/60

M2S010-VFG400

USC

BANK 2

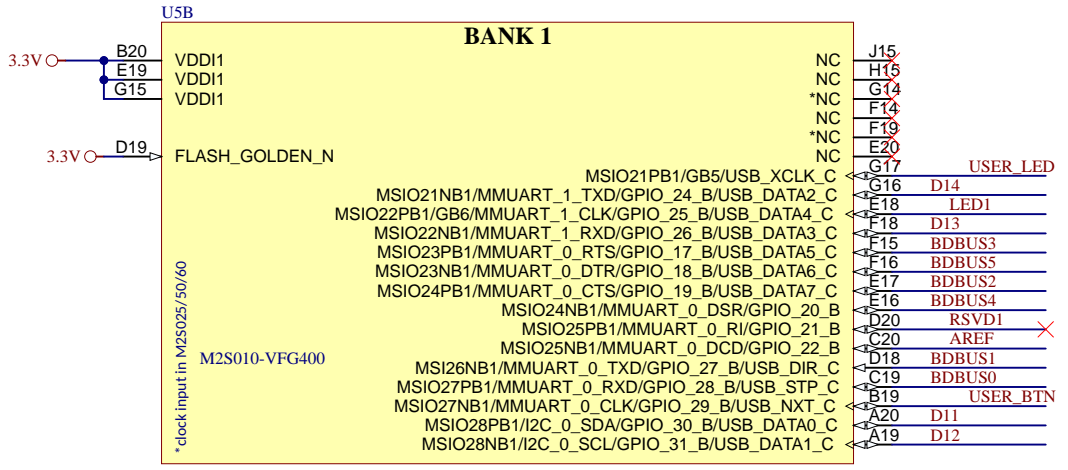
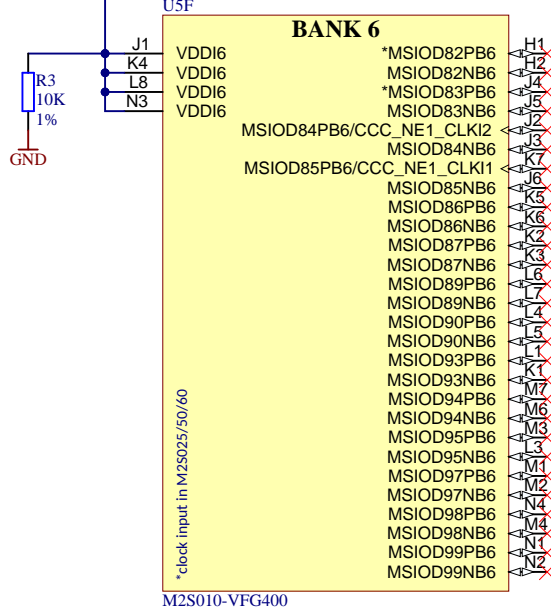
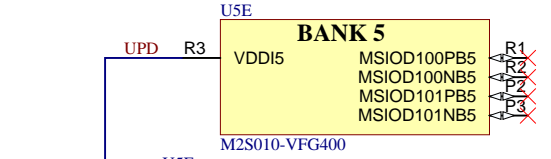
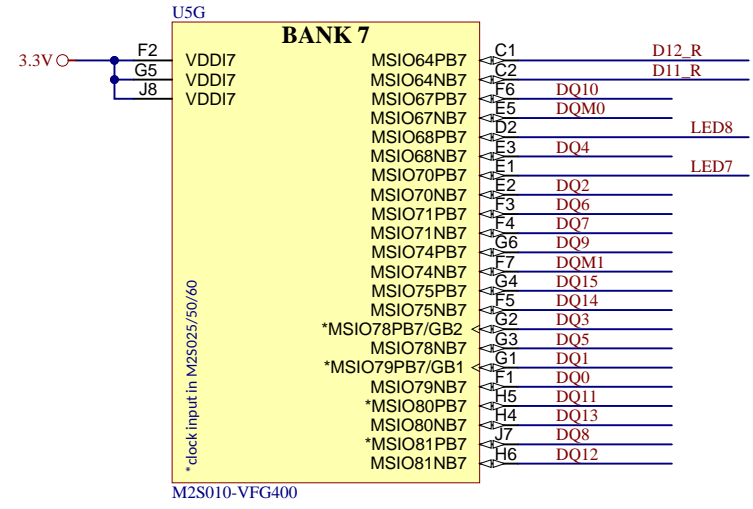
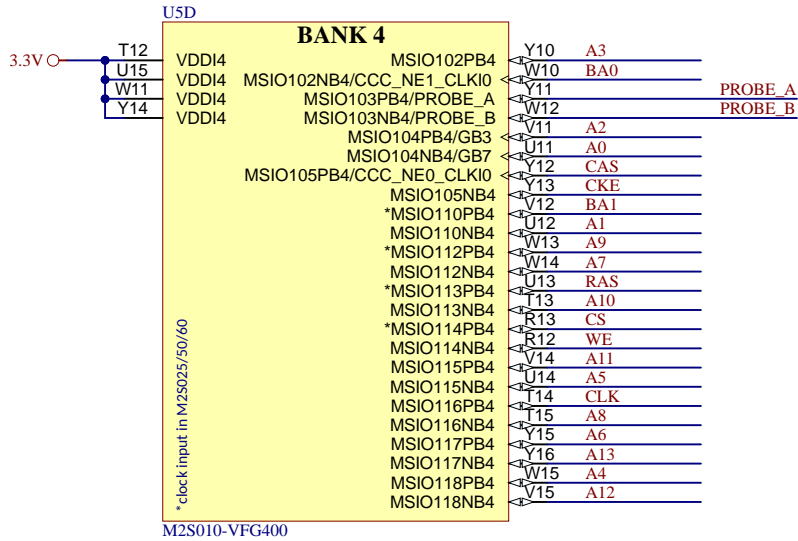
H18	VDDI2	MSIO0PB2	V20	AIN0
L17	VDDI2	MSIO0NB2/USB_DATA7_B	V19	AIN1
M20	VDDI2	MSIO1PB2/USB_XCLK_B	U18	LED5
N14	VDDI2	MSIO1NB2/USB_DIR_B	U19	AIN3
P16	VDDI2	MSIO2PB2/USB_STP_B	T18	LED4
R19	VDDI2	MSIO2NB2/USB_NXT_B	T19	AIN2
V18	VDDI2	MSIO3PB2/USB_DATA0_B	R20	AIN4
		MSIO3NB2/USB_DATA1_B	R20	AIN6
		MSIO4PB2/USB_DATA2_B	P20	AIN5
		MSIO4NB2/USB_DATA3_B	N19	F_D3
		MSIO5PB2/USB_DATA4_B	R17	LED2
		MSIO5NB2/USB_DATA5_B	R18	LED3
		MSIO6PB2/USB_DATA6_B	P18	F_CLK
		MSIO6NB2	P19	F_DI
		MSIO7PB2	R16	LED6
		MSIO7NB2/CAN_TX/GPIO_2_A/USB_DATA0_A	R15	D0
		MSIO8PB2/CAN_RX/GPIO_3_A/USB_DATA1_A	N20	D1
		MSIO8NB2/CAN_TX_EN_N/GPIO_4_A/USB_DATA2_A	U19	D2
		MSIO11PB2/CCC_NE0_CLKI1/I2C_1_SDA/GPIO_0_A/USB_DATA3_A	N16	CLK12M
		MSIO11NB2/CCC_NE0_CLKI2/I2C_1_SCL/GPIO_1_A/USB_DATA4_A	M17	D3
		MSIO12PB2/SPI_0_CLK/USB_XCLK_A	P15	D9
		MSIO12NB2/SPI_0_SDI/GPIO_5_A/USB_DIR_A	N15	D10
		MSIO13PB2/SPI_0_SDO/GPIO_6_A/USB_STP_A	T20	D8
		MSIO13NB2/SPI_0_SS0/GPIO_7_A/USB_NXT_A	L19	D7
		NC	K17	
		NC	M16	
		NC	M15	
		NC	L15	PIO_04
		MSIO14PB2/SPI_1_CLK	L16	PIO_03
		MSIO14NB2/SPI_1_SDI/GPIO_11_A	K20	PIO_02
		MSIO15PB2/SPI_1_SDO/GPIO_12_A	J20	PIO_01
		MSIO15NB2/SPI_1_SS0/GPIO_13_A	J17	PIO_08
		MSIO16PB2/SPI_1_SS4/GPIO_17_A	J18	F_D2
		MSIO16NB2/SPI_1_SS5/GPIO_18_A	K16	F_DO
		MSIO17PB2/SPI_1_SS6/GPIO_23_A	K15	F_CS
		MSIO17NB2/SPI_1_SS7/GPIO_24_A	J19	
		*NC	H20	
		*NC	H19	D6
		MSIO18PB2/SPI_0_SS1/GPIO_8_A/USB_DATA5_A	G18	D5
		MSIO18NB2/SPI_0_SS2/GPIO_9_A/USB_DATA6_A	H17	D4
		MSIO19PB2/SPI_0_SS3/GPIO_10_A/USB_DATA7_A	H16	PIO_05
		MSIO19NB2/SPI_1_SS1/GPIO_14_A	G19	PIO_06
		MSIO20PB2/SPI_1_SS2/GPIO_15_A	F20	PIO_07
		MSIO20NB2/SPI_1_SS3/GPIO_16_A		

*clock input in M25025/50/60

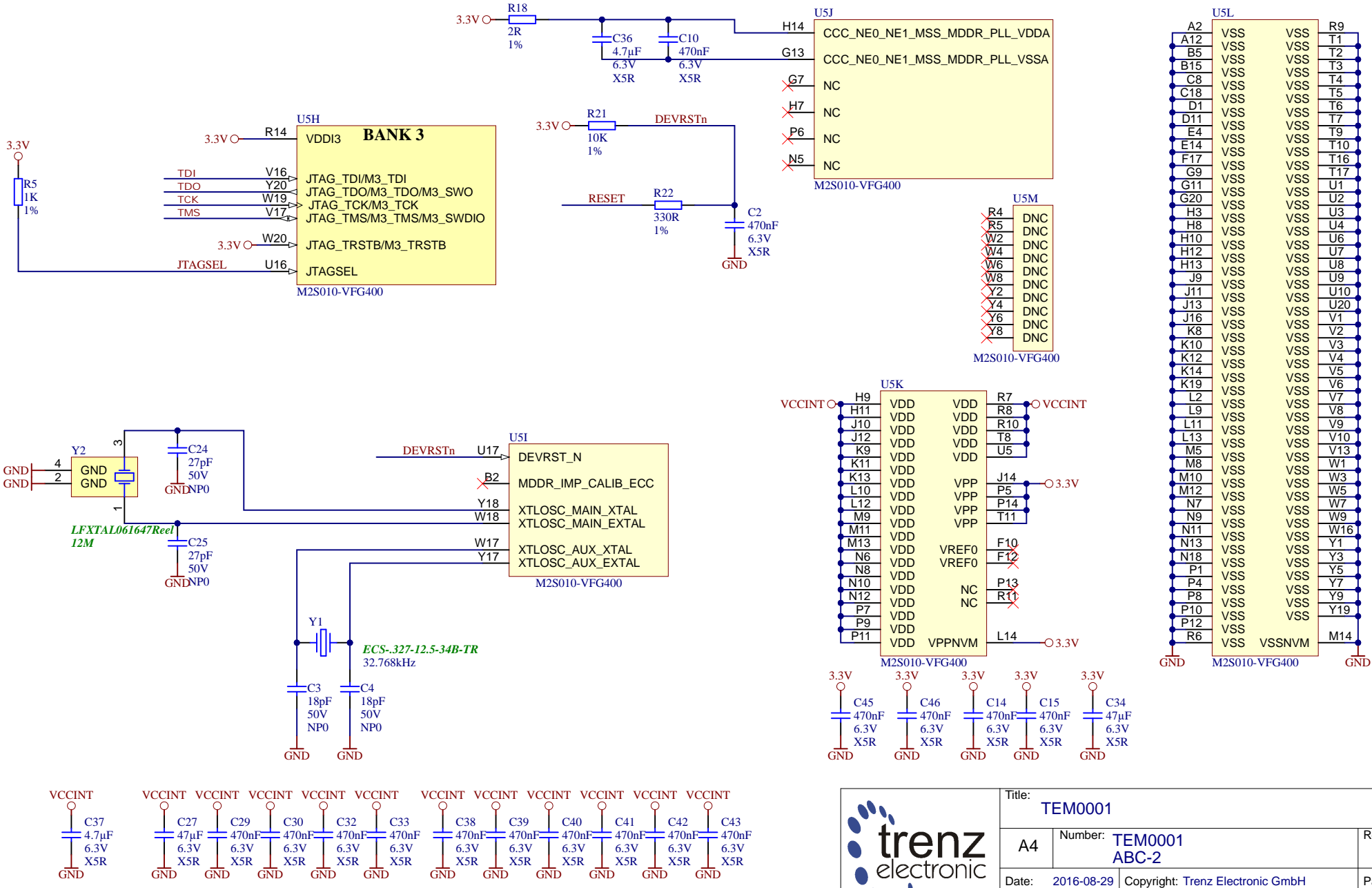
M2S010-VFG400




Title: TEM001			
A4	Number: TEM001 ABC-2	Rev. 01	
Date: 2016-08-29	Copyright: Trenz Electronic GmbH	Page 6 of 8	
Filename: Soc_1.SchDoc			



Title: TEM001		
A4	Number: TEM001 ABC-2	Rev. 01
Date: 2016-08-29	Copyright: Trenz Electronic GmbH	Page7 of 8
Filename: Soc_2.SchDoc		



			Title: TEM001	
			A4	Number: TEM001 ABC-2
Date: 2016-08-29		Copyright: Trenz Electronic GmbH		Page 8 of 8
Filename: Soc_3.SchDoc				