

1

2

3

4

U_A-Headers
A-Headers.SchDoc

U_SENSOR_Flash_RAM
SENSOR_Flash_RAM.SchDoc

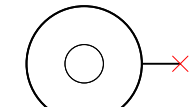
U_PowerSupply
PowerSupply.SchDoc

U_FTDI
FTDI.SchDoc

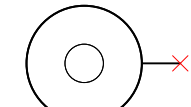
U_Soc_1
Soc_1.SchDoc

U_Soc_2
Soc_2.SchDoc

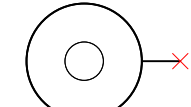
U_Soc_3
Soc_3.SchDoc



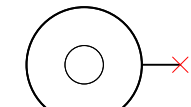
Mount.Hole 2mm (unplated)



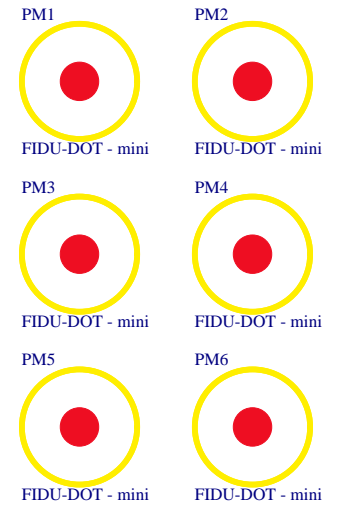
Mount.Hole 2mm (unplated)



Mount.Hole 2mm (unplated)



Mount.Hole 2mm (unplated)



LOGO1
TE Logo PRINT Layer
LOGO PRINT

Serial
Serialnumber 6,3 x 6.3mm



Title: TEM0001		
A4	Number: TEM0001 010C	Rev. 01
Date: 2017-09-04	Copyright: Trenz Electronic GmbH	Page1 of 8
Filename: TEM0001.SchDoc		

1

2

3

4

A

A

B

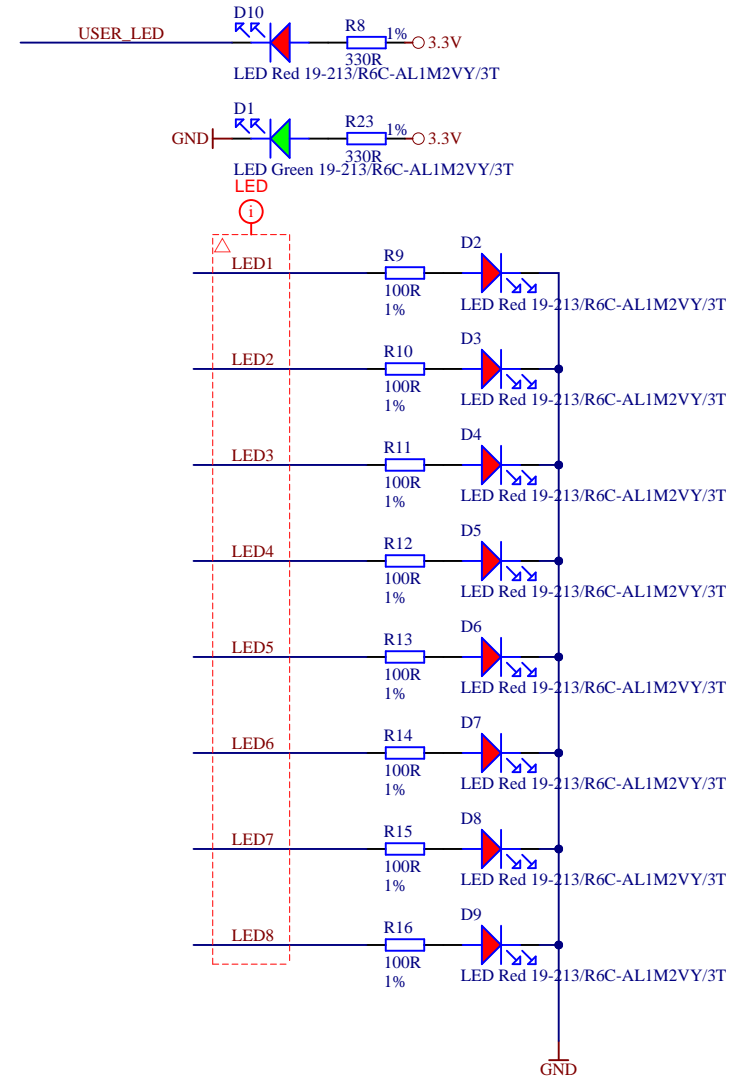
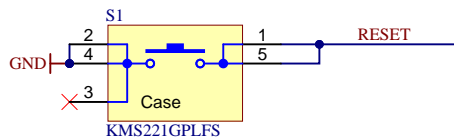
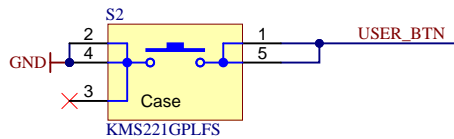
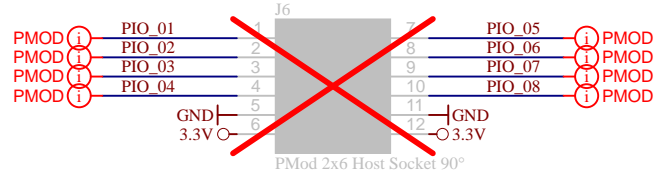
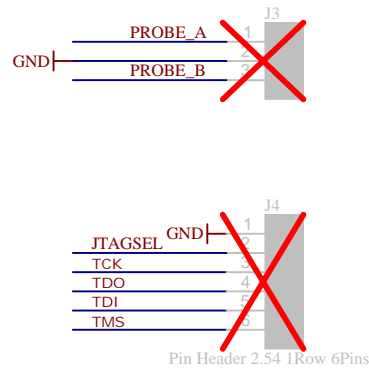
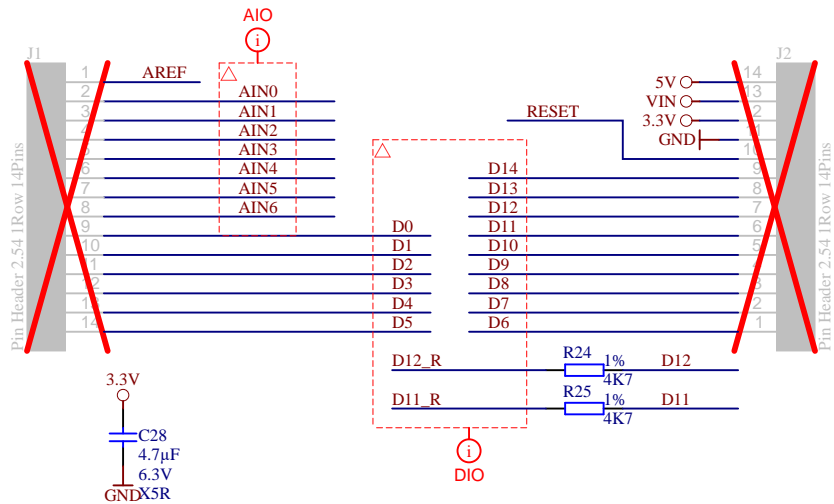
B

C

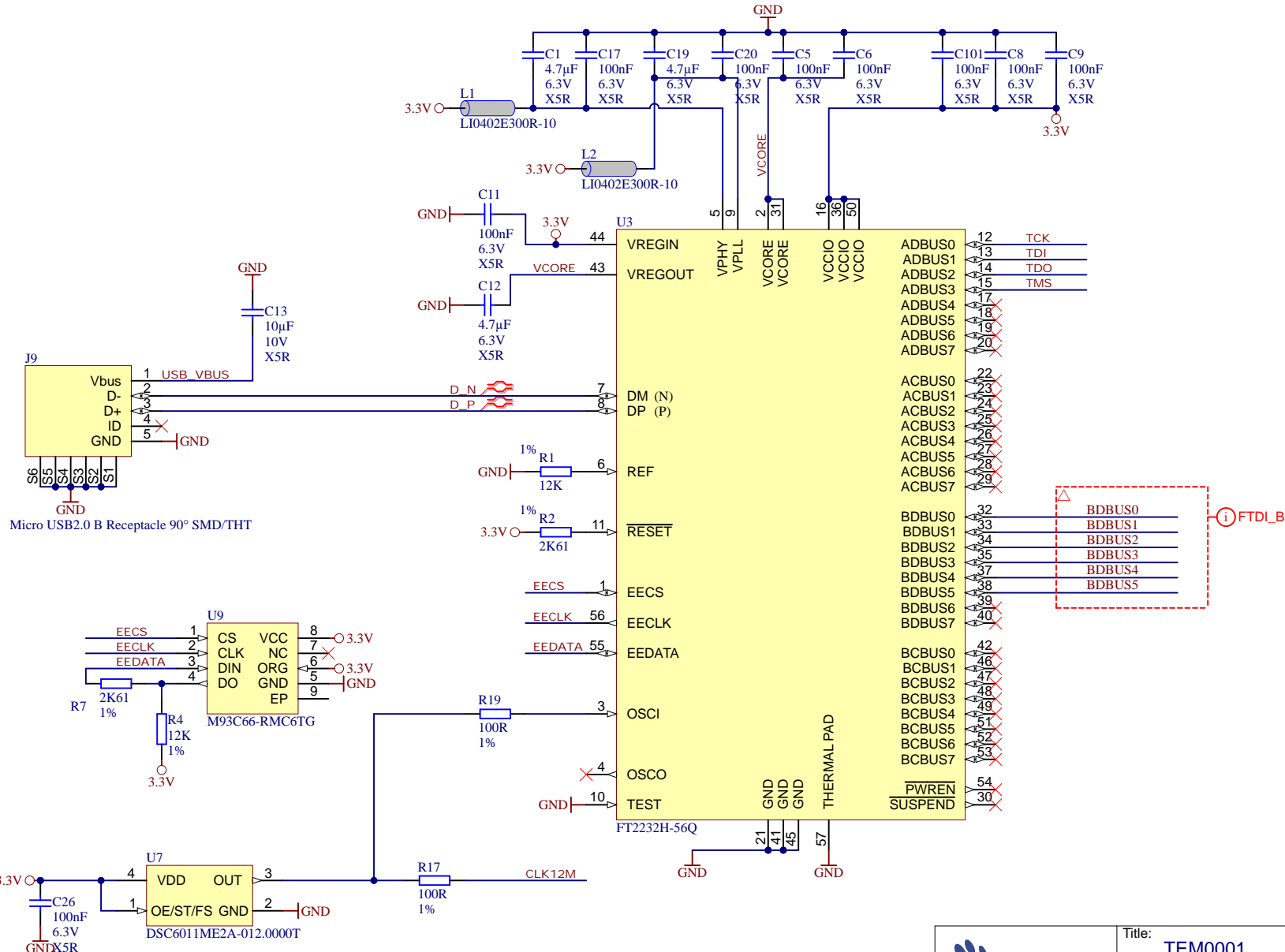
C

D

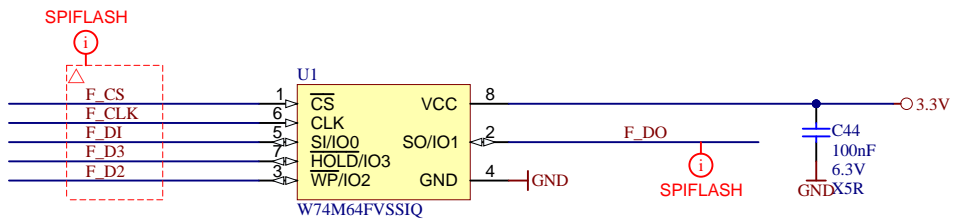
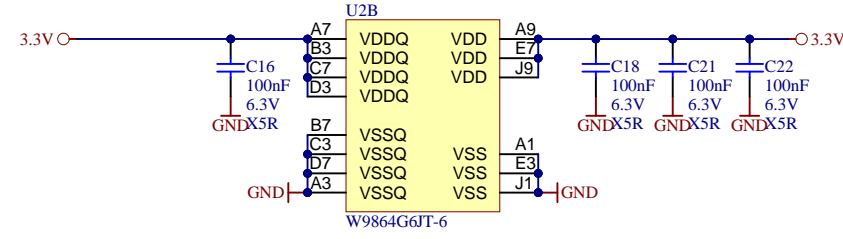
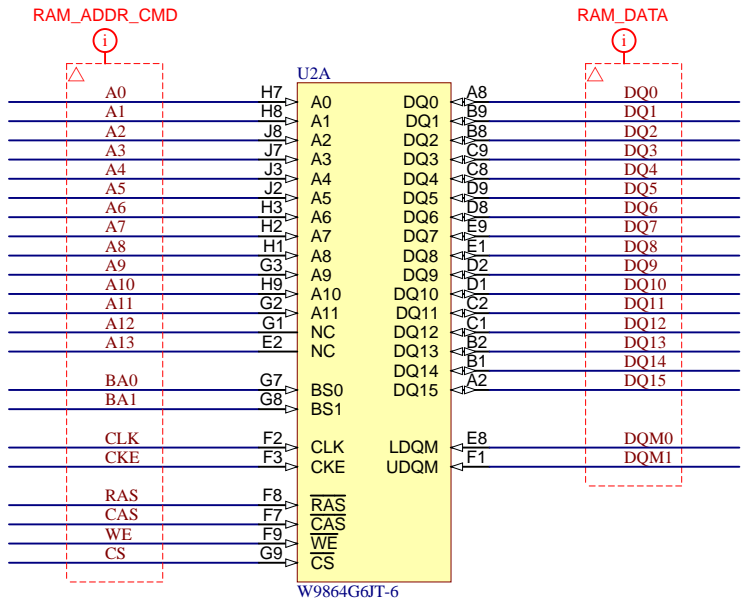
D



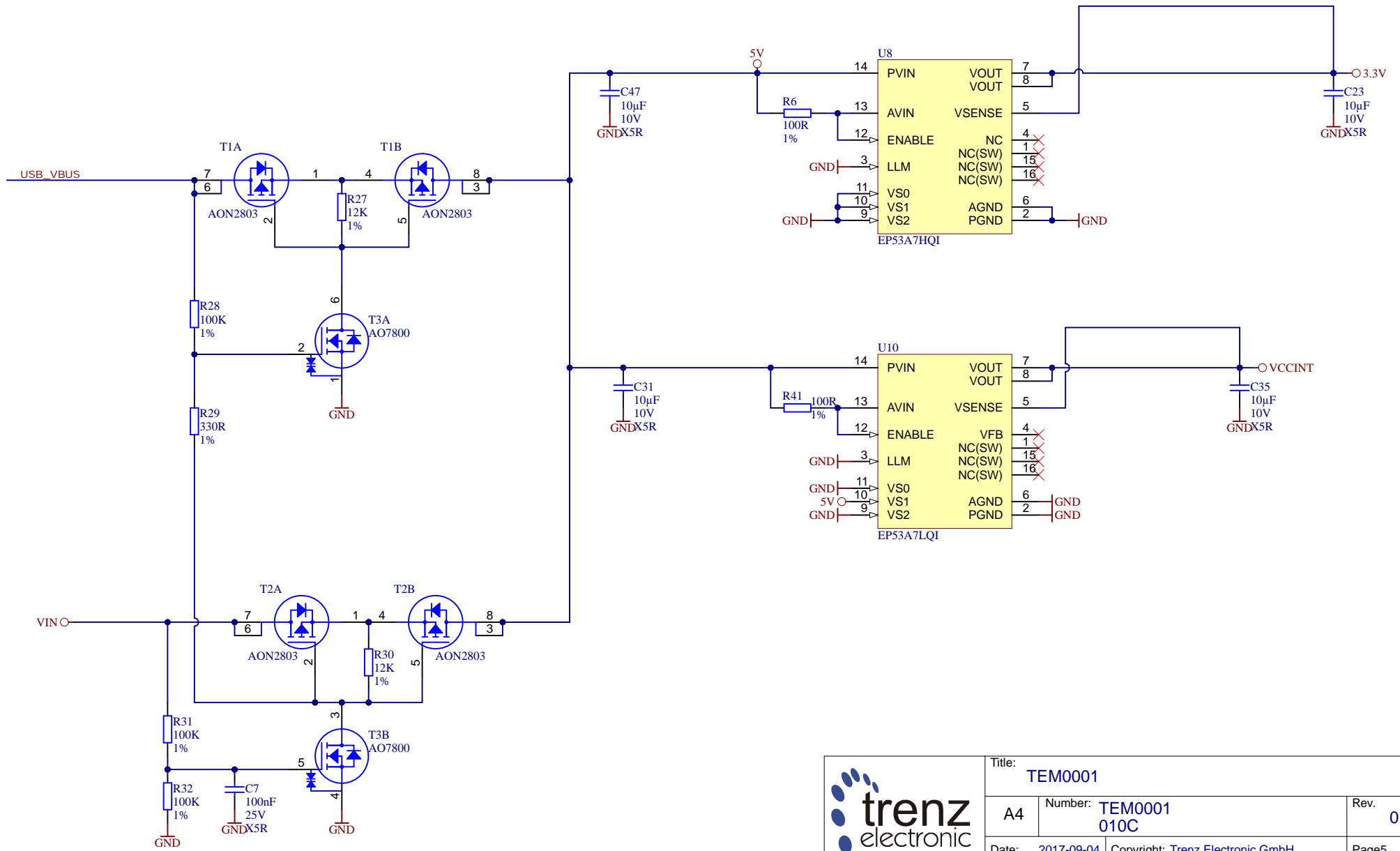
Title: TEM0001		
A4	Number: TEM0001 010C	Rev. 01
Date: 2017-09-04	Copyright: Trenz Electronic GmbH	Page2 of 8
Filename: A-Headers.SchDoc		



Title: TEM001		
A4	Number: TEM001 010C	Rev. 01
Date: 2017-09-04	Copyright: Trenz Electronic GmbH	Page3 of 8
Filename: FTDI.SchDoc		



Title: TEM0001		
A4	Number: TEM0001 010C	Rev. 01
Date: 2017-09-04	Copyright: Trenz Electronic GmbH	Page4 of 8
Filename: SENSOR_Flash_RAM.SchDoc		



Title: TEM0001		
A4	Number: TEM0001 010C	Rev. 01
Date: 2017-09-04	Copyright: Trenz Electronic GmbH	Page5 of 8
Filename: PowerSupply.SchDoc		

USA

BANK 0

- UPD A7
- A17
- B10
- C3
- C13
- D6
- D16
- E9
- G8
- G10
- G12

VDDI0	DDRIO29PB0/MDDR_ADDR14	A18
VDDI0	DDRIO29NB0/MDDR_ADDR15	B18
VDDI0	DDRIO30PB0/MDDR_ADDR12	D17
VDDI0	DDRIO30NB0/MDDR_ADDR13	C17
VDDI0	DDRIO31PB0/MDDR_ADDR10	D15
VDDI0	DDRIO31NB0/MDDR_ADDR11	E15
VDDI0	DDRIO32PB0/MDDR_ADDR8	A17
VDDI0	DDRIO32NB0/MDDR_ADDR9	B17
VDDI0	DDRIO33PB0/MDDR_ODT	B16
VDDI0	DDRIO33NB0/MDDR_ADDR7	C16
VDDI0	DDRIO34PB0/MDDR_ADDR5	B14
VDDI0	DDRIO34NB0/MDDR_ADDR6	A16
VDDI0	DDRIO35PB0/MDDR_ADDR3	C14
VDDI0	DDRIO35NB0/MDDR_ADDR4	C15
VDDI0	DDRIO36PB0/MDDR_ADDR1	A14
VDDI0	DDRIO36NB0/MDDR_ADDR2	D13
VDDI0	DDRIO37PB0/MDDR_BA2	D14
VDDI0	DDRIO37NB0/MDDR_ADDR0	F13
VDDI0	DDRIO38PB0/MDDR_BA0	F13
VDDI0	DDRIO38NB0/MDDR_BA1	B13
VDDI0	DDRIO39PB0/MDDR_CLK	F12
VDDI0	DDRIO39NB0/MDDR_CLK_N	F12
VDDI0	DDRIO40PB0/MDDR_RESET_N	F11
VDDI0	DDRIO40NB0/MDDR_CAS_N	F12
VDDI0	DDRIO41PB0/MDDR_CKE	C11
VDDI0	DDRIO41NB0/MDDR_CS_N	C11
VDDI0	DDRIO42PB0/MDDR_RAS_N	D12
VDDI0	DDRIO42NB0/MDDR_WE_N	F11
VDDI0	*DDRIO43PB0/MDDR_DQ14	A11
VDDI0	DDRIO43NB0/MDDR_DQ15	B11
VDDI0	*DDRIO44PB0/MDDR_DQ12	D10
VDDI0	DDRIO44NB0/MDDR_DQ13	F10
VDDI0	DDRIO45PB0/MDDR_TMATCH_0_IN	F8
VDDI0	DDRIO45NB0/MDDR_DM_RDQS1	F9
VDDI0	*DDRIO46PB0/MDDR_DQS1	F9
VDDI0	DDRIO46NB0/MDDR_DQS1_N	F9
VDDI0	*DDRIO47PB0/MDDR_DQ10	D9
VDDI0	DDRIO47NB0/MDDR_DQ11	C10
VDDI0	DDRIO48PB0/MDDR_DQ8	A9
VDDI0	DDRIO48NB0/MDDR_DQ9	D10
VDDI0	DDRIO49PB0/MDDR_DQ7	D7
VDDI0	DDRIO49NB0/MDDR_TMATCH_0_OUT	D8
VDDI0	DDRIO50PB0/MDDR_DQ5	A8
VDDI0	DDRIO50NB0/MDDR_DQ6	B8
VDDI0	DDRIO51PB0/MDDR_DM_RDQS0	B8
VDDI0	DDRIO51NB0/MDDR_DQ4	B7
VDDI0	DDRIO52PB0/MDDR_DQ50	C6
VDDI0	DDRIO52NB0/MDDR_DQS0_N	C7
VDDI0	DDRIO53PB0/MDDR_DQ2	A5
VDDI0	DDRIO53NB0/MDDR_DQ3	A6
VDDI0	DDRIO54PB0/MDDR_DQ0	F7
VDDI0	DDRIO54NB0/MDDR_DQ1	F8
VDDI0	DDRIO55PB0/CCC_NE0_CLKI3	D5
VDDI0	DDRIO55NB0	A3
VDDI0	DDRIO56PB0/MDDR_DQ_ECC1	A4
VDDI0	DDRIO56NB0/MDDR_DQ_ECC0	D4
VDDI0	DDRIO57PB0/MDDR_TMATCH_ECC_IN	C5
VDDI0	DDRIO57NB0/MDDR_DM_RDQS_ECC	B3
VDDI0	DDRIO58PB0/MDDR_DQS_ECC	B4
VDDI0	DDRIO58NB0/MDDR_DQS_ECC_N	A1
VDDI0	DDRIO59PB0/GB0	B1
VDDI0	DDRIO59NB0/GB4	C4
VDDI0	DDRIO60PB0/MDDR_TMATCH_ECC_OUT	D3
VDDI0	DDRIO60NB0/CCC_NE1_CLKI3	A3

M2S010-VFG400

*clock input in M2S025/50/60

USC

BANK 2

- 3.3V O H18
- L17
- M20
- N14
- P16
- R19
- V18

VDDI2	MSIO0PB2	V20
VDDI2	MSIO0NB2/USB_DATA7_B	V19
VDDI2	MSIO1PB2/USB_XCLK_B	U18
VDDI2	MSIO1NB2/USB_DIR_B	U19
VDDI2	MSIO2PB2/USB_STP_B	T18
VDDI2	MSIO2NB2/USB_NXT_B	T19
VDDI2	MSIO3PB2/USB_DATA0_B	R20
VDDI2	MSIO3NB2/USB_DATA1_B	R20
VDDI2	MSIO4PB2/USB_DATA2_B	P20
VDDI2	MSIO4NB2/USB_DATA3_B	N19
VDDI2	MSIO5PB2/USB_DATA4_B	R17
VDDI2	MSIO5NB2/USB_DATA5_B	R18
VDDI2	MSIO6PB2/USB_DATA6_B	P18
VDDI2	MSIO6NB2	P19
VDDI2	MSIO7PB2	R16
VDDI2	MSIO7NB2/CAN_TX/GPIO_2_A/USB_DATA0_A	R15
VDDI2	MSIO8PB2/CAN_RX/GPIO_3_A/USB_DATA1_A	N20
VDDI2	MSIO8NB2/CAN_TX_EN_N/GPIO_4_A/USB_DATA2_A	M19
VDDI2	MSIO11PB2/CCC_NE0_CLKI1/I2C_1_SDA/GPIO_0_A/USB_DATA3_A	N16
VDDI2	MSIO11NB2/CCC_NE0_CLKI2/I2C_1_SCL/GPIO_1_A/USB_DATA4_A	M17
VDDI2	MSIO12PB2/SPI_0_CLK/USB_XCLK_A	P15
VDDI2	MSIO12NB2/SPI_0_SDI/GPIO_5_A/USB_DIR_A	N15
VDDI2	MSIO13PB2/SPI_0_SDO/GPIO_6_A/USB_STP_A	T20
VDDI2	MSIO13NB2/SPI_0_SS0/GPIO_7_A/USB_NXT_A	L19
VDDI2	NC	K17
VDDI2	NC	M16
VDDI2	NC	M15
VDDI2	NC	M15
VDDI2	MSIO14PB2/SPI_1_CLK	L15
VDDI2	MSIO14NB2/SPI_1_SDI/GPIO_11_A	L16
VDDI2	MSIO15PB2/SPI_1_SDO/GPIO_12_A	K20
VDDI2	MSIO15NB2/SPI_1_SS0/GPIO_13_A	J20
VDDI2	MSIO16PB2/SPI_1_SS4/GPIO_17_A	J17
VDDI2	MSIO16NB2/SPI_1_SS5/GPIO_18_A	J18
VDDI2	MSIO17PB2/SPI_1_SS6/GPIO_23_A	K16
VDDI2	MSIO17NB2/SPI_1_SS7/GPIO_24_A	K15
VDDI2	*NC	J19
VDDI2	*NC	H20
VDDI2	MSIO18PB2/SPI_0_SS1/GPIO_8_A/USB_DATA5_A	H19
VDDI2	MSIO18NB2/SPI_0_SS2/GPIO_9_A/USB_DATA6_A	G18
VDDI2	MSIO19PB2/SPI_0_SS3/GPIO_10_A/USB_DATA7_A	H17
VDDI2	MSIO19NB2/SPI_1_SS1/GPIO_14_A	H16
VDDI2	MSIO20PB2/SPI_1_SS2/GPIO_15_A	G19
VDDI2	MSIO20NB2/SPI_1_SS3/GPIO_16_A	F20

M2S010-VFG400

*clock input in M2S025/50/60

A

B

C

D

A

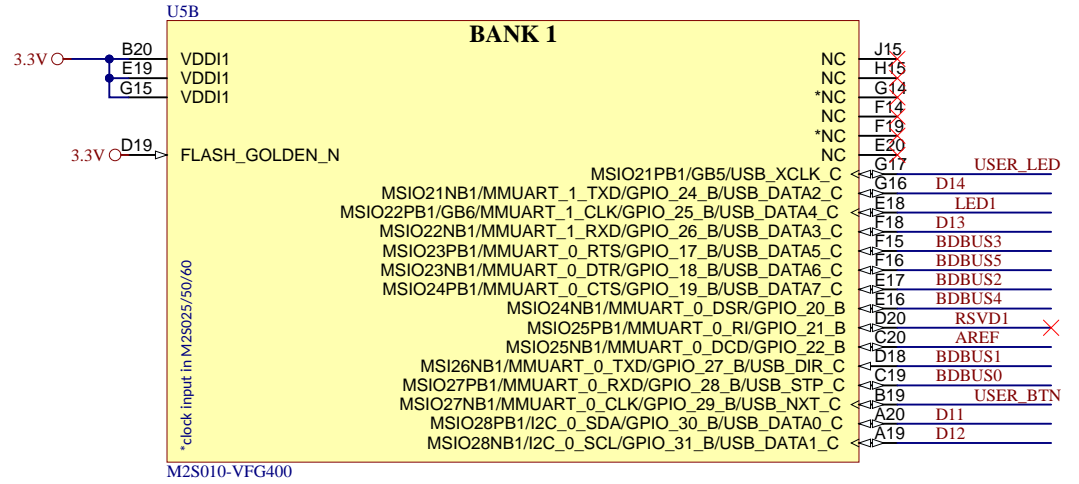
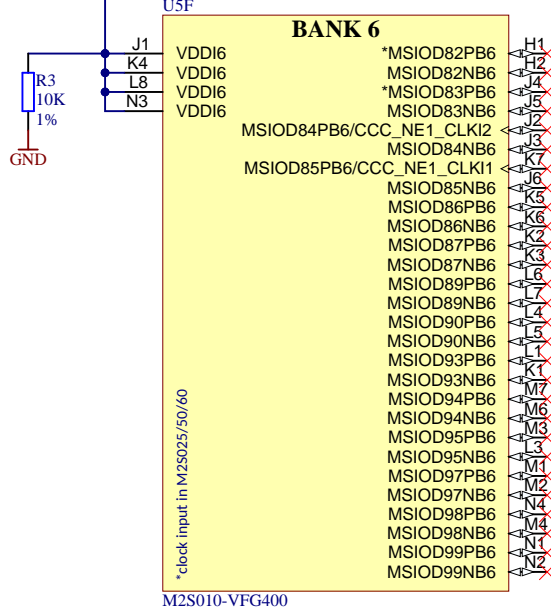
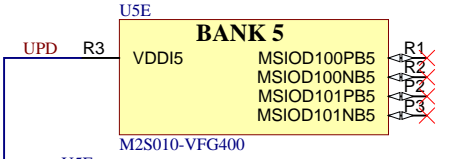
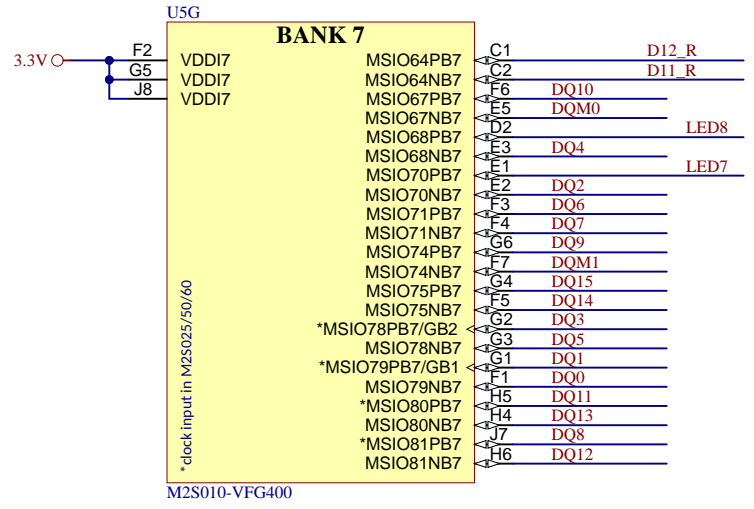
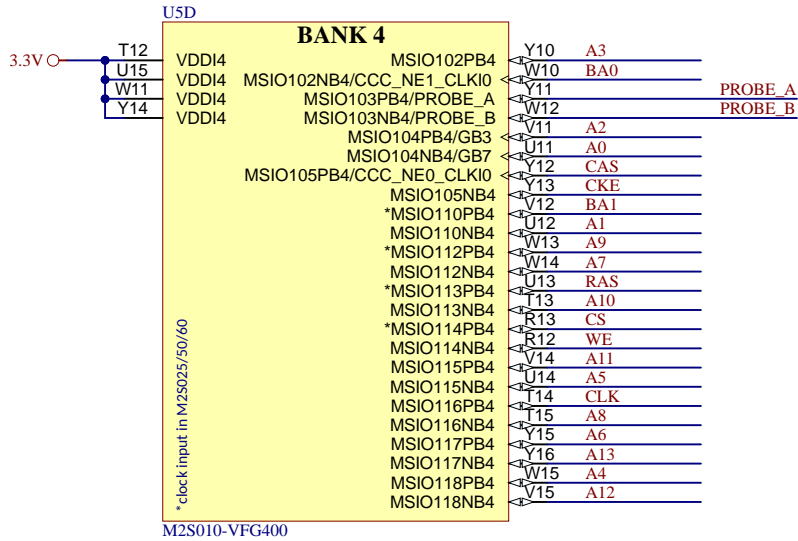

B

C

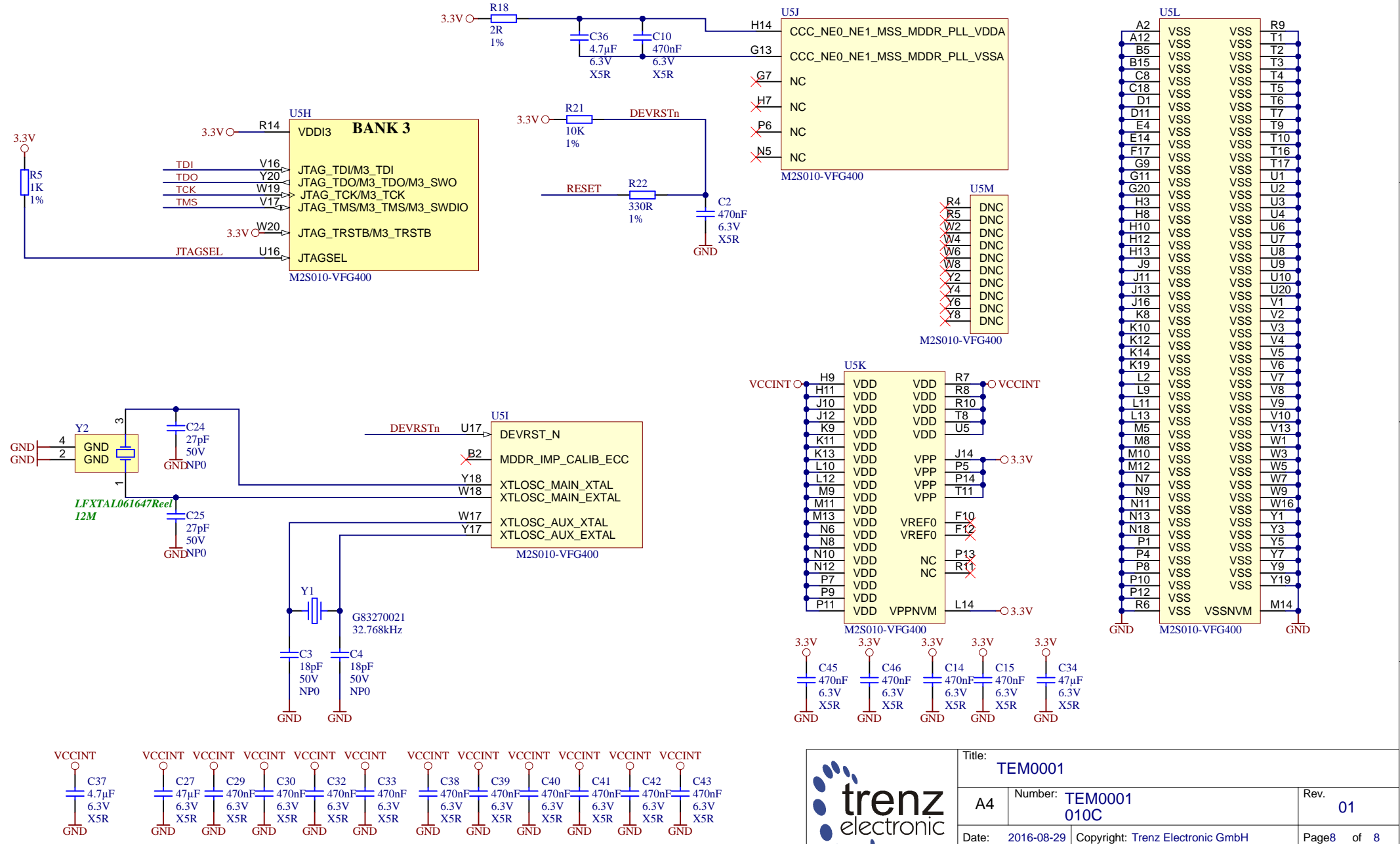
D



Title: TEM001		
A4	Number: TEM0001 010C	Rev. 01
Date: 2016-08-29	Copyright: Trenz Electronic GmbH	Page6 of 8
Filename: Soc_1.SchDoc		

Title: TEM001		
A4	Number: TEM001 010C	Rev. 01
Date: 2016-08-29	Copyright: Trenz Electronic GmbH	Page 7 of 8
Filename: Soc_2.SchDoc		



		Title: TEM001	
		A4	Number: TEM001 010C
Date: 2016-08-29		Copyright: Trenz Electronic GmbH	
Filename: Soc_3.SchDoc		Page 8 of 8	