

1

2

3

4

A

A

B

B


C

C

D

D

REV	Description	
-01	Initial revision	VT

			Title: Revision Changes				
			A4	Number: TEI0050 AAH11A		Rev. 01	
			Date:	2019-11-01	Copyright: Trenz Electronic GmbH		Page1 of 11
			Filename:			Revision_Changes.SchDoc	

1

2

3

4

1

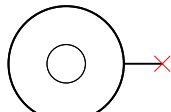
2

3

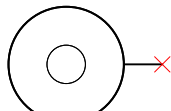
4

A

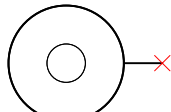
A



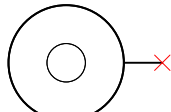
Mount.Hole 2mm (unplated)



Mount.Hole 2mm (unplated)



Mount.Hole 2mm (unplated)



Mount.Hole 2mm (unplated)

LOGO1

TE Logo PRINT Layer

LOGO PRINT

UKCA

UKCA Logo on Top Overlay

UKCA-TOPOVERLAY

Serial

Serial

Serialnumber 6,3 x 6.3mm

U_FTDI
FTDI.SchDoc

U_SENSOR_Flash_RAM
SENSOR_Flash_RAM.SchDoc

U_A-Headers
A-Headers.SchDoc

U_PowerSupply
PowerSupply.SchDoc

U_FPGA_MISC
FPGA_MISC.SchDoc

U_FPGA
FPGA.SchDoc

U_FPGA2
FPGA2.SchDoc

U_FPGA3
FPGA3.SchDoc

U_FPGA4
FPGA4.SchDoc

PM1



FIDU-DOT - mini

PM2



FIDU-DOT - mini

PM3



FIDU-DOT - mini

PM4



FIDU-DOT - mini

PM5



FIDU-DOT - mini

PM6



FIDU-DOT - mini

Assembly variant	AAH11A
Created by	VY
Modified by	VT
Modified at	25-03-2022
SVN Revision	16566



Title: TEI0050		
A4	Number: TEI0050 AAH11A	Rev. 01
Date: 2022-04-06	Copyright: Trenz Electronic GmbH	Page 2 of 11
Filename: TEI0050.SchDoc		

1

2

3

4

D

D

A

A

B

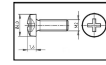
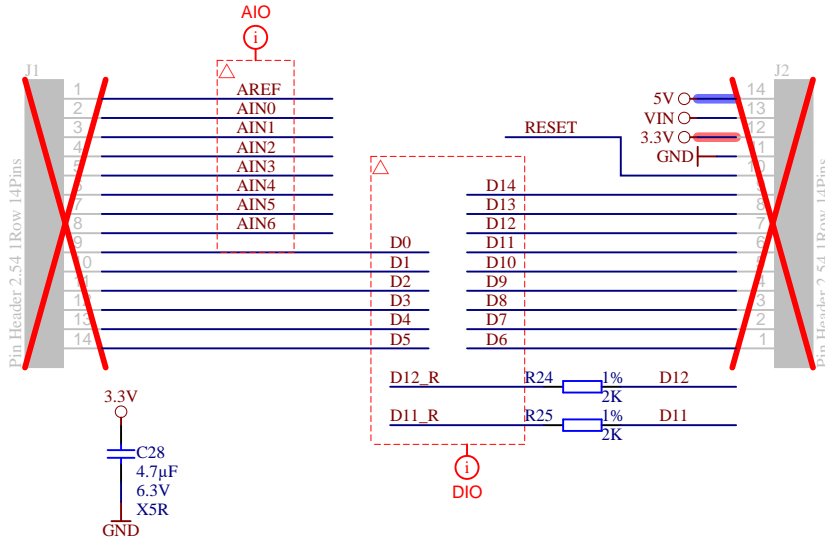
B

C

C

D

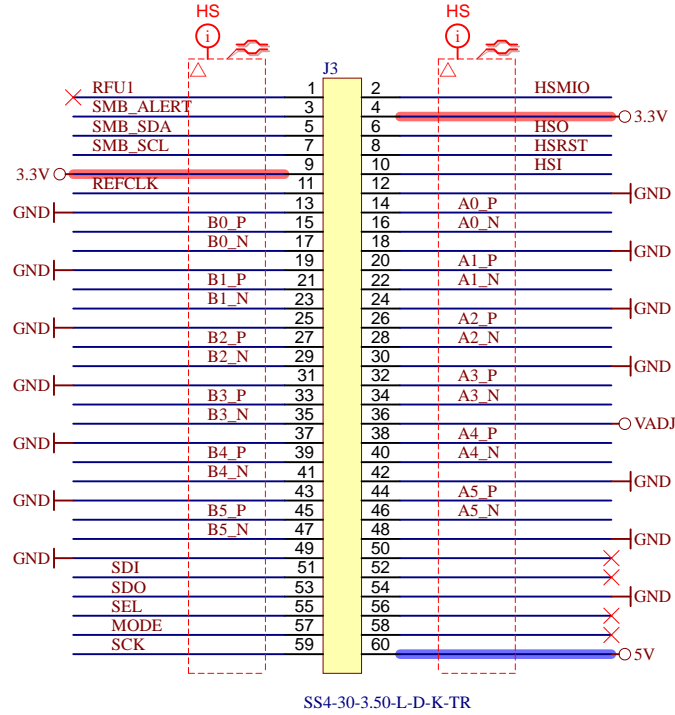
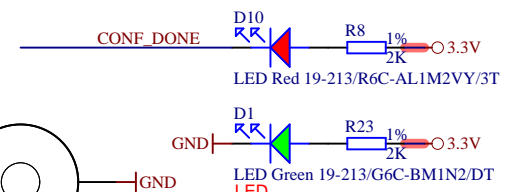
D



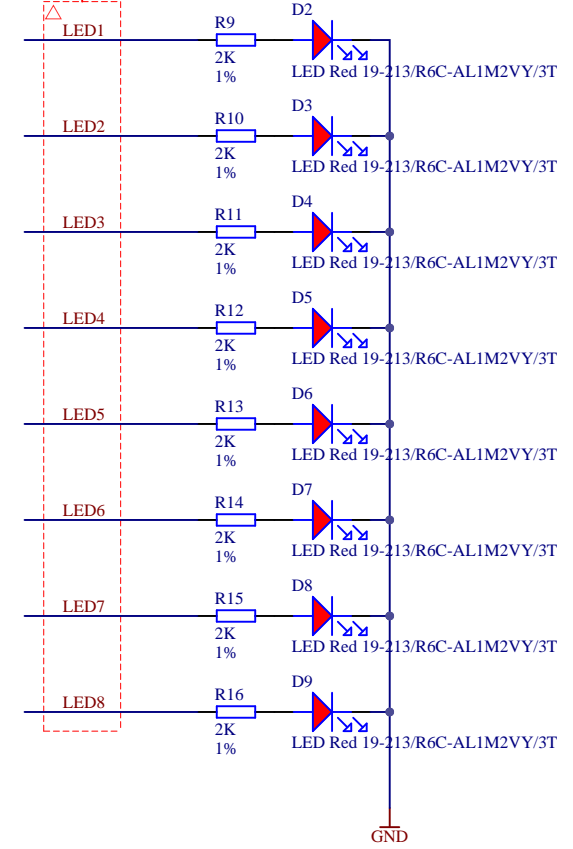
Screw M2x6



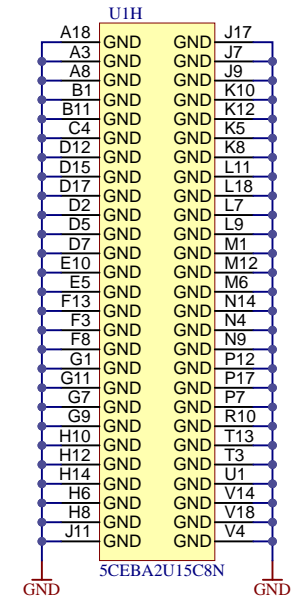
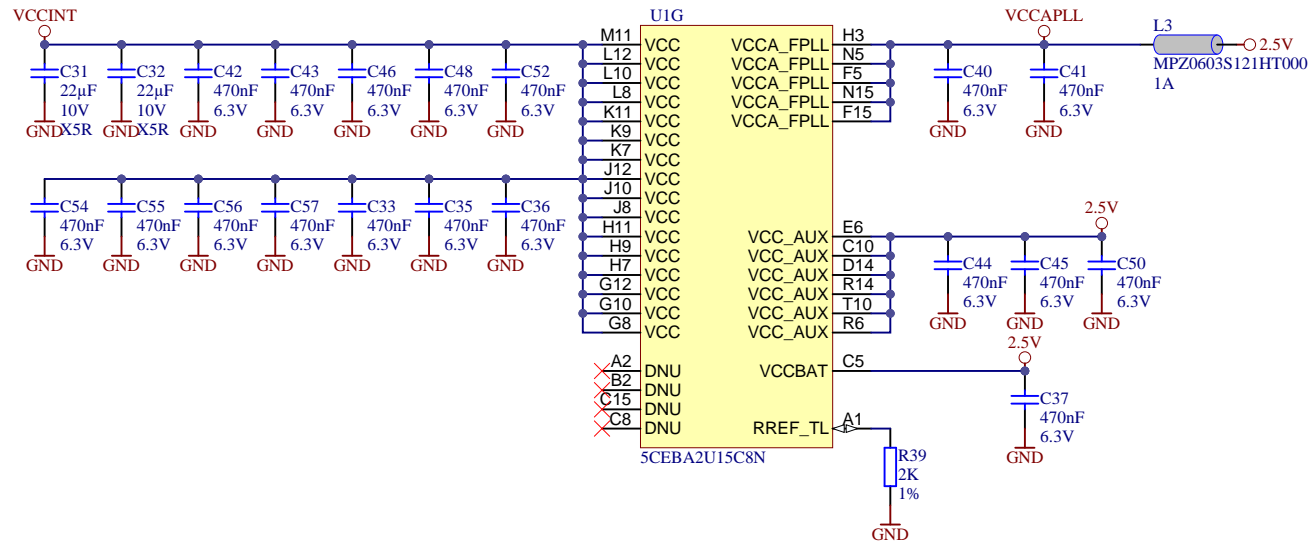
Steel Spacer M2 5mm SMD



SNAP CRUV1 3x



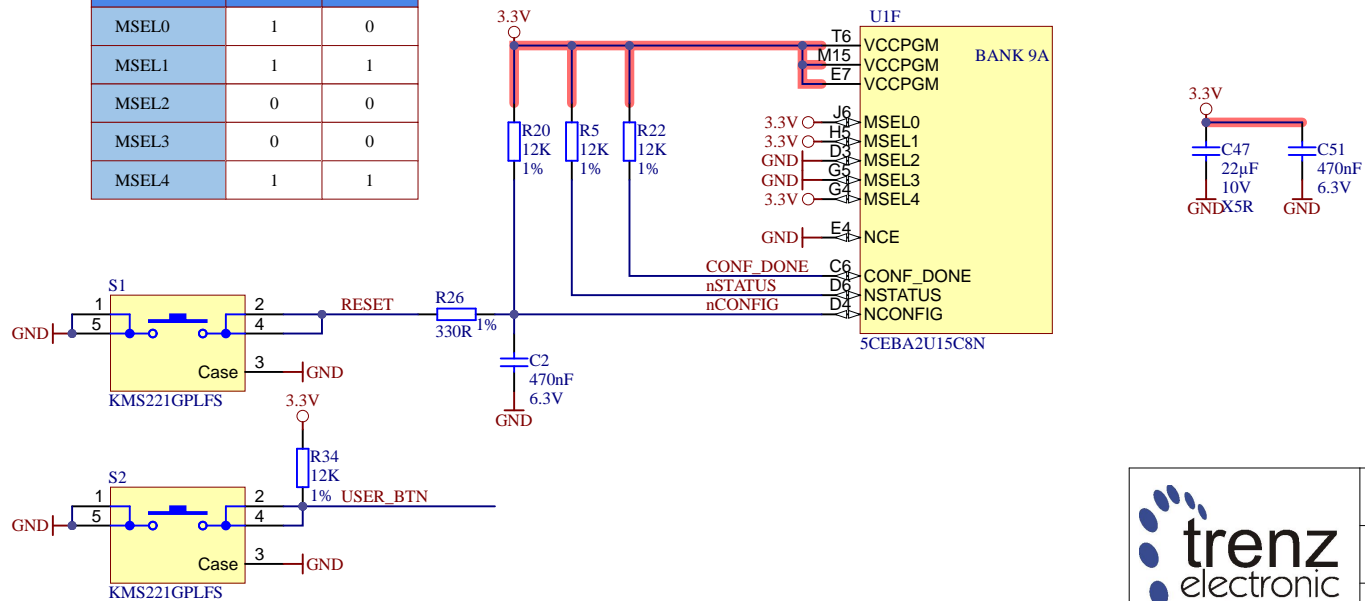
Title: Headers		
A4	Number: TEI0050 AAH11A	Rev. 01
Date: 2022-03-25	Copyright: Trenz Electronic GmbH	Page 3 of 11
Filename: A-Headers.SchDoc		



Boot Configuration

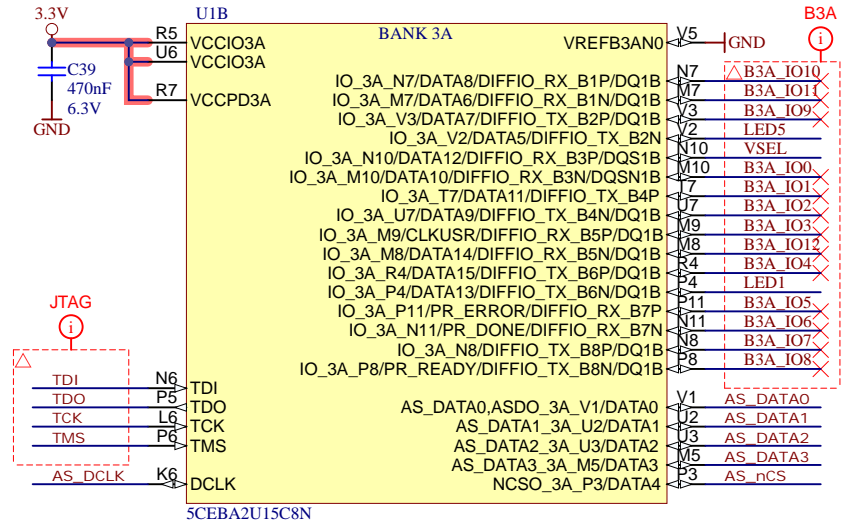
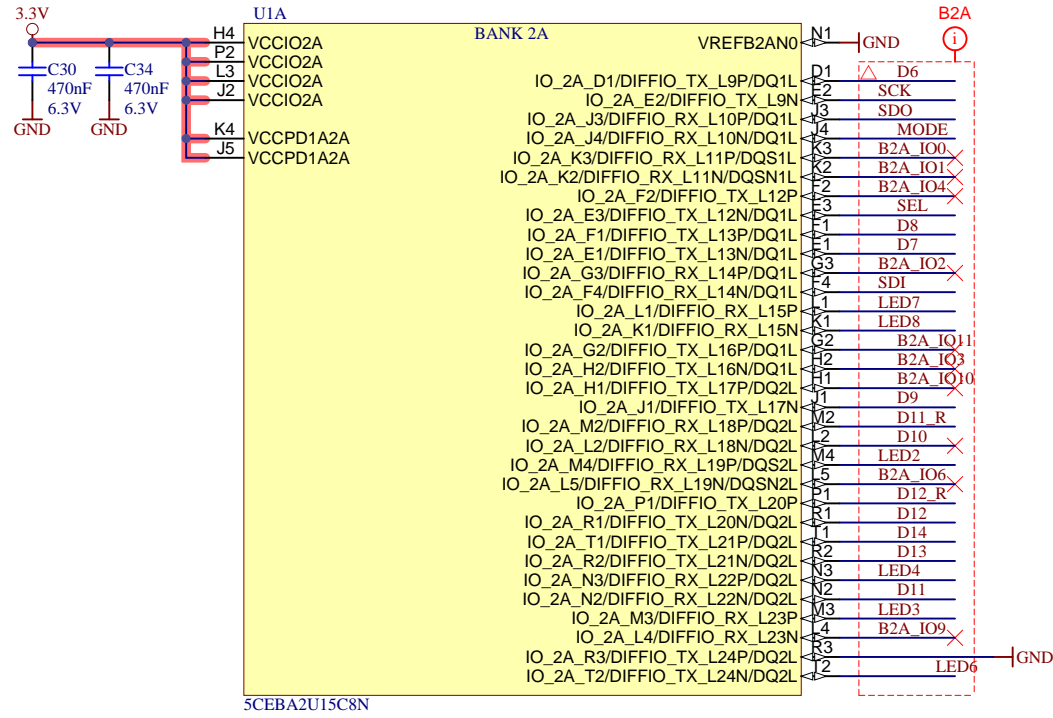
MSEL	AS Standard	AS Fast
MSEL0	1	0
MSEL1	1	1
MSEL2	0	0
MSEL3	0	0
MSEL4	1	1

Boot Mode: ASx1, Standard POR



Title: FPGA MISC		
A4	Number: TEI0050 AAH11A	Rev. 01
Date: 2022-03-25	Copyright: Trenz Electronic GmbH	Page 4 of 11
Filename: FPGA_MISC.SchDoc		

A



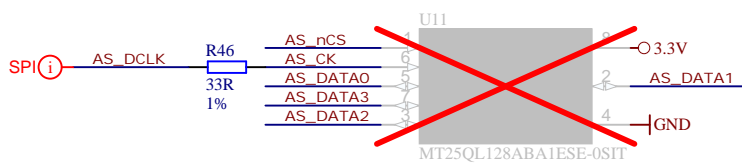
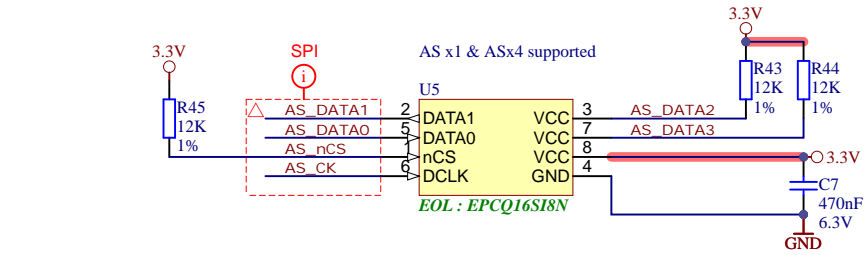
A

B

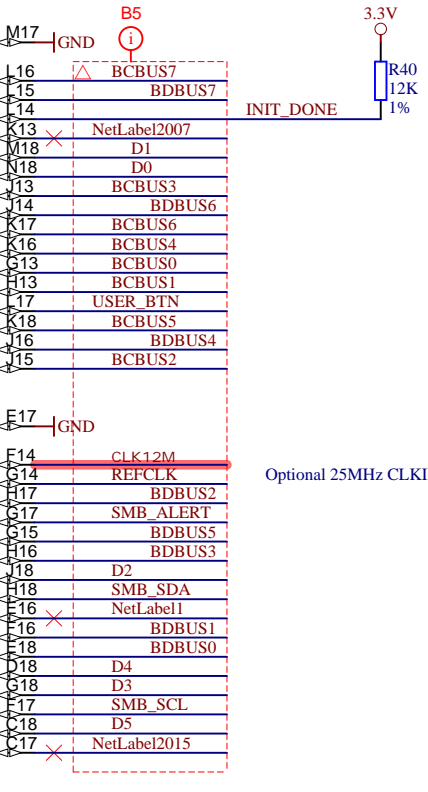
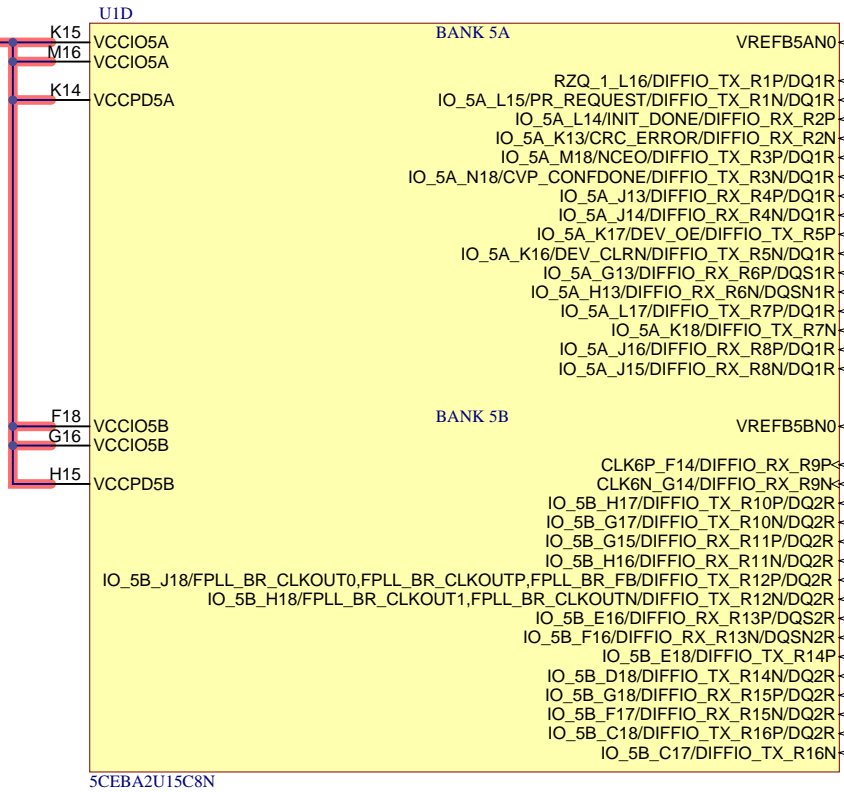
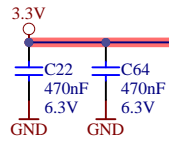
B

C

C



Title: FPGA		
A4	Number: TEI0050 AAH11A	Rev. 01
Date: 2022-03-25	Copyright: Trenz Electronic GmbH	Page 5 of 11
Filename: FPGA.SchDoc		

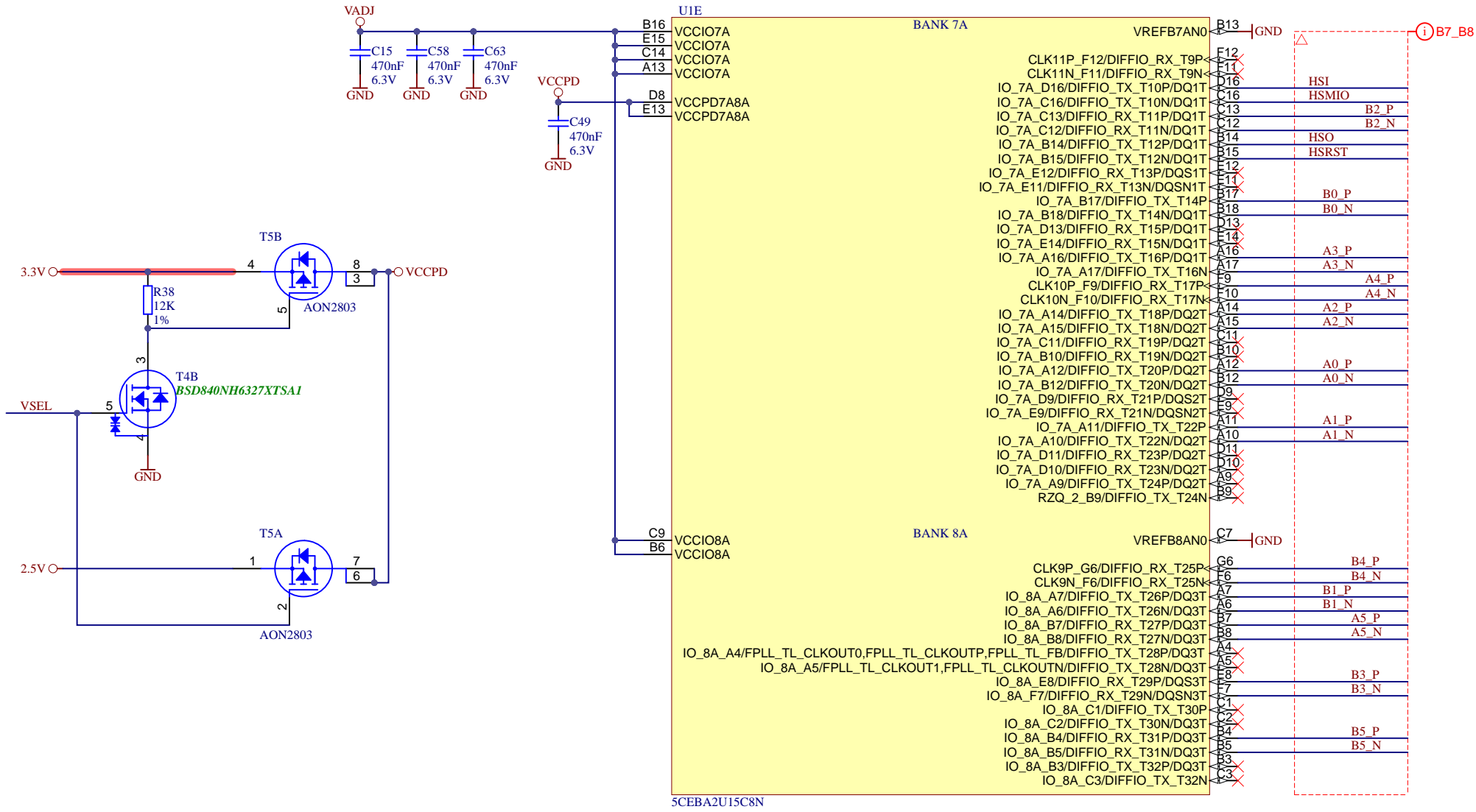



INIT_DONE

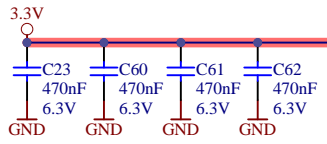
Optional 25MHz CLKIN (from CR00091)



Title: FPGA		
A4	Number: TEI0050 AAH11A	Rev. 01
Date: 2022-03-25	Copyright: Trenz Electronic GmbH	Page 6 of 11
Filename: FPGA2.SchDoc		

Title: FPGA		
A4	Number: TEI0050 AAH11A	Rev. 01
Date: 2022-03-25	Copyright: Trenz Electronic GmbH	Page 7 of 11
Filename: FPGA3.SchDoc		

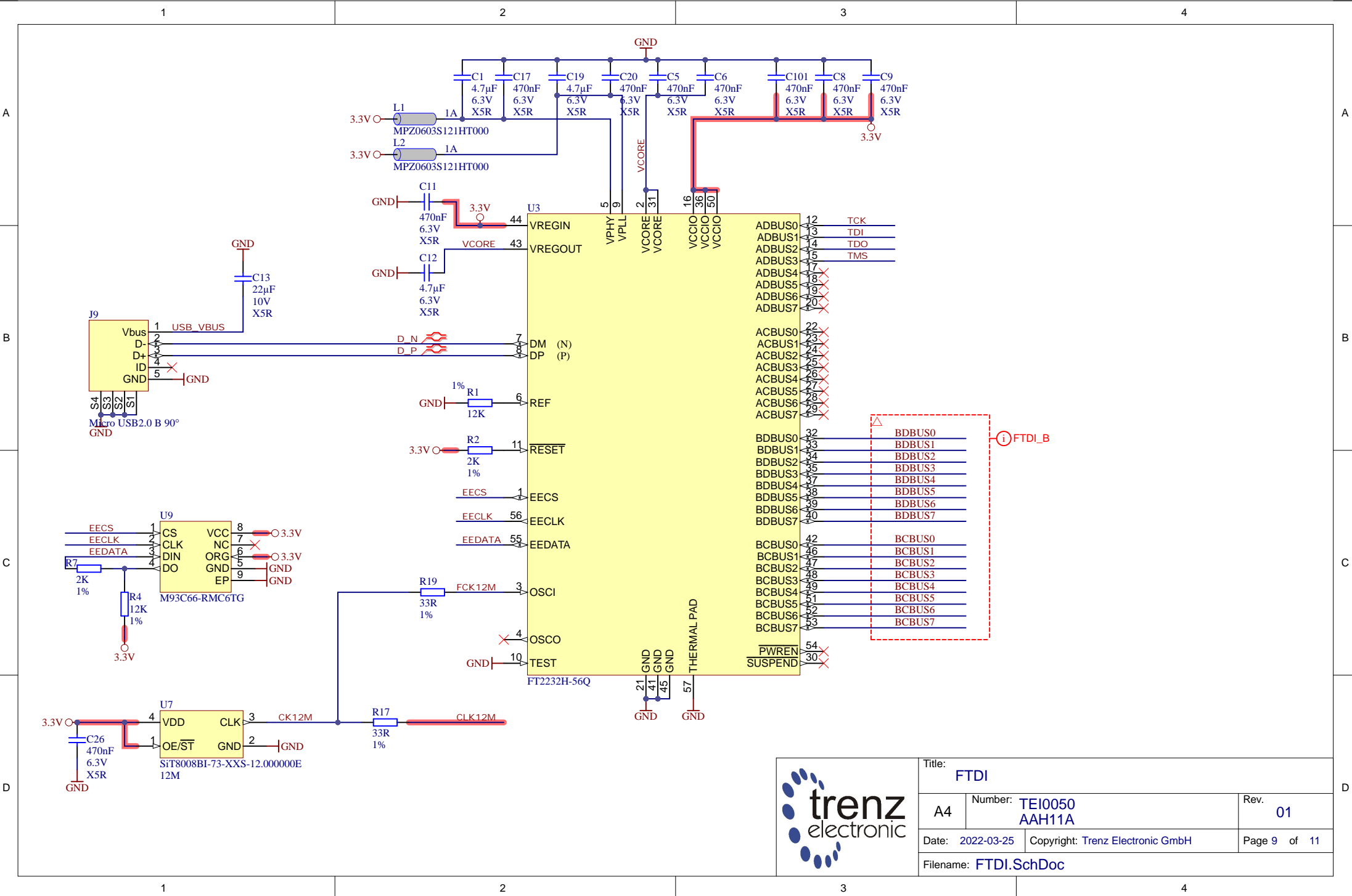


UIC		BANK 3B	VREFB3BNO
T8	VCCIO3B		U10 GND
V9	VCCIO3B		
R12	VCCPD3B4A	IO_3B_V7/DIFFIO_TX_B17P/DQ2B	V7 DQ4
R8	VCCPD3B4A	IO_3B_V6/DIFFIO_TX_B17N	V6 DQ2
		IO_3B_U4/DIFFIO_RX_B18P/DQ2B	U4 DQ0
		IO_3B_U5/DIFFIO_RX_B18N/DQ2B	U5 DQ3
		IO_3B_P10/DIFFIO_RX_B19P/DQS2B	P10 DQ8
		IO_3B_P9/DIFFIO_RX_B19N/DQS2B	P9 DQ9
		IO_3B_T5/DIFFIO_TX_B20P	T5 DQ5
		IO_3B_T4/DIFFIO_TX_B20N/DQ2B	T4 DQ1
		IO_3B_U8/FPLL_BL_CLKOUT0,FPLL_BL_CLKOUTP,FPLL_BL_FB/DIFFIO_TX_B21P/DQ2B	U8 DQ7
		IO_3B_U8/FPLL_BL_CLKOUT1,FPLL_BL_CLKOUTN/DIFFIO_TX_B21N/DQ2B	U8 DQ6
		IO_3B_R9/DIFFIO_RX_B22P/DQ2B	R9 DQ11
		IO_3B_T9/DIFFIO_RX_B22N/DQ2B	T9 DQ13
		CLK1P_R11/DIFFIO_RX_B23P	R11 DQ12
		CLK1N_T11/DIFFIO_RX_B23N	T11 DQ10
		IO_3B_V10/DIFFIO_TX_B24P/DQ2B	V10 DQ14
		IO_3B_U9/DIFFIO_TX_B24N/DQ2B	U9 DQ15
T18	VCCIO4A		V11 GND
U16	VCCIO4A		
U11	VCCIO4A	IO_4A_U14/DIFFIO_TX_B25P/DQ3B	U14 DQM1
R15	VCCIO4A	RZQ_0_U13/DIFFIO_TX_B25N	U13 DQM0
		IO_4A_V12/DIFFIO_RX_B26P/DQ3B	V12 A2
		IO_4A_V13/DIFFIO_RX_B26N/DQ3B	V13 A3
		IO_4A_L13/DIFFIO_RX_B27P/DQS3B	L13 CS
		IO_4A_M14/DIFFIO_RX_B27N/DQSN3B	M14 CAS
		IO_4A_V17/DIFFIO_TX_B28P	V17 AREF
		IO_4A_U18/DIFFIO_TX_B28N/DQ3B	U18 AIN2
		IO_4A_T17/DIFFIO_TX_B29P/DQ3B	T17 AIN1
		IO_4A_U17/DIFFIO_TX_B29N/DQ3B	U17 AIN0
		IO_4A_V15/DIFFIO_RX_B30P/DQ3B	V15 A4
		IO_4A_V16/DIFFIO_RX_B30N/DQ3B	V16 A5
		CLK2P_T12/DIFFIO_RX_B31P	T12 BA0
		CLK2N_U12/DIFFIO_RX_B31N	U12 A1
		IO_4A_P18/DIFFIO_TX_B32P/DQ3B	P18 AIN5
		IO_4A_R18/DIFFIO_TX_B32N/DQ3B	R18 AIN4
		IO_4A_R17/DIFFIO_TX_B33P/DQ4B	R17 AIN3
		IO_4A_T16/DIFFIO_TX_B33N	T16 A6
		IO_4A_P15/DIFFIO_RX_B34P/DQ4B	P15 A11
		IO_4A_P14/DIFFIO_RX_B34N/DQ4B	P14 A8
		IO_4A_N12/DIFFIO_RX_B35P/DQS4B	N12 WE
		IO_4A_M13/DIFFIO_RX_B35N/DQSN4B	M13 A10
		IO_4A_P16/DIFFIO_TX_B36P	P16 CLK
		IO_4A_R16/DIFFIO_TX_B36N/DQ4B	R16 A13
		IO_4A_N16/DIFFIO_TX_B37P/DQ4B	N16 A12
		IO_4A_N17/DIFFIO_TX_B37N/DQ4B	N17 AIN6
		IO_4A_T14/DIFFIO_RX_B38P/DQ4B	T14 CKE
		IO_4A_R13/DIFFIO_RX_B38N/DQ4B	R13 A0
		CLK3P_P13/DIFFIO_RX_B39P	P13 RAS
		CLK3N_N13/DIFFIO_RX_B39N	N13 BA1
		IO_4A_T15/DIFFIO_TX_B40P/DQ4B	T15 A9
		IO_4A_U15/DIFFIO_TX_B40N/DQ4B	U15 A7

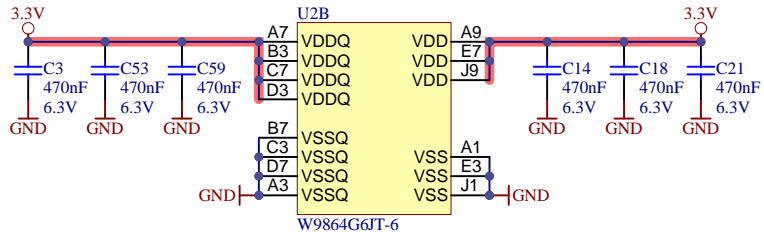
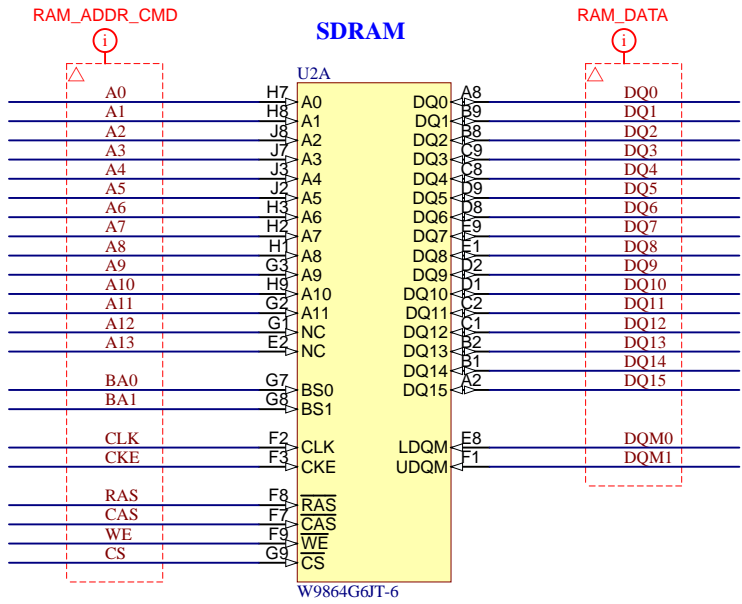
5CEBA2U15C8N



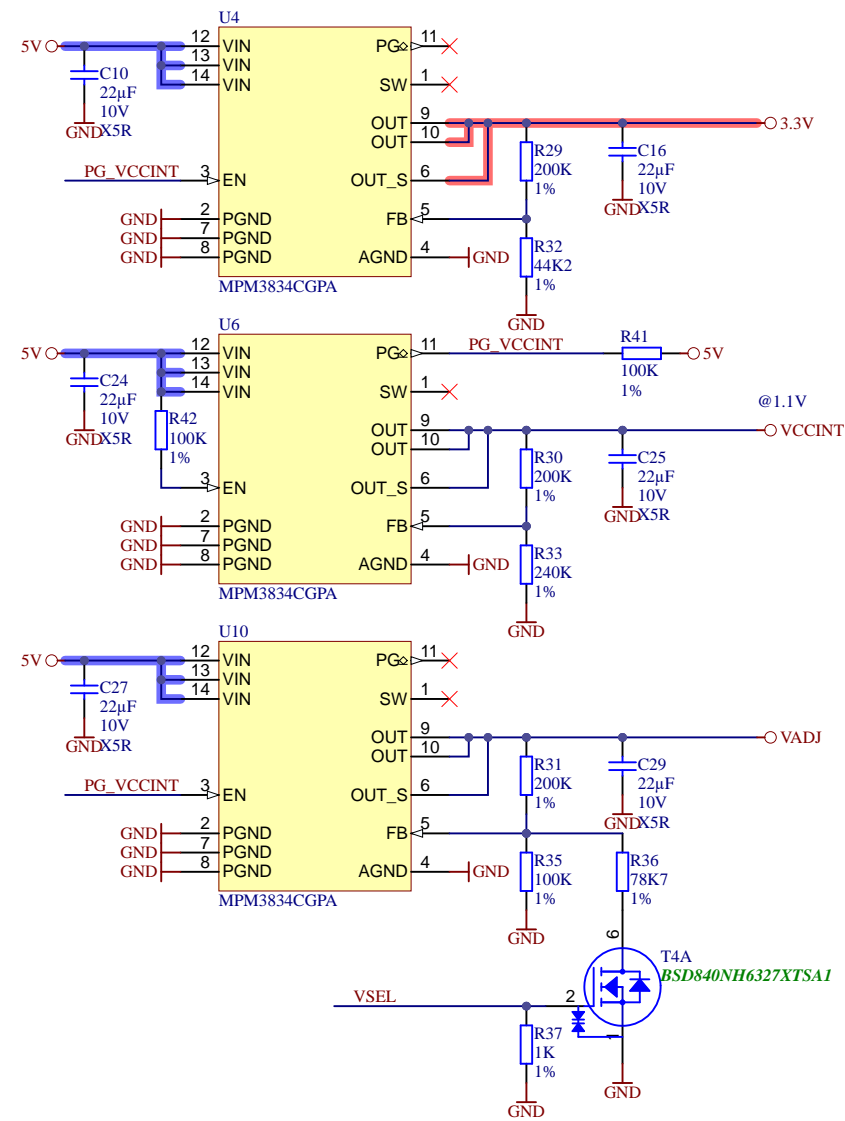
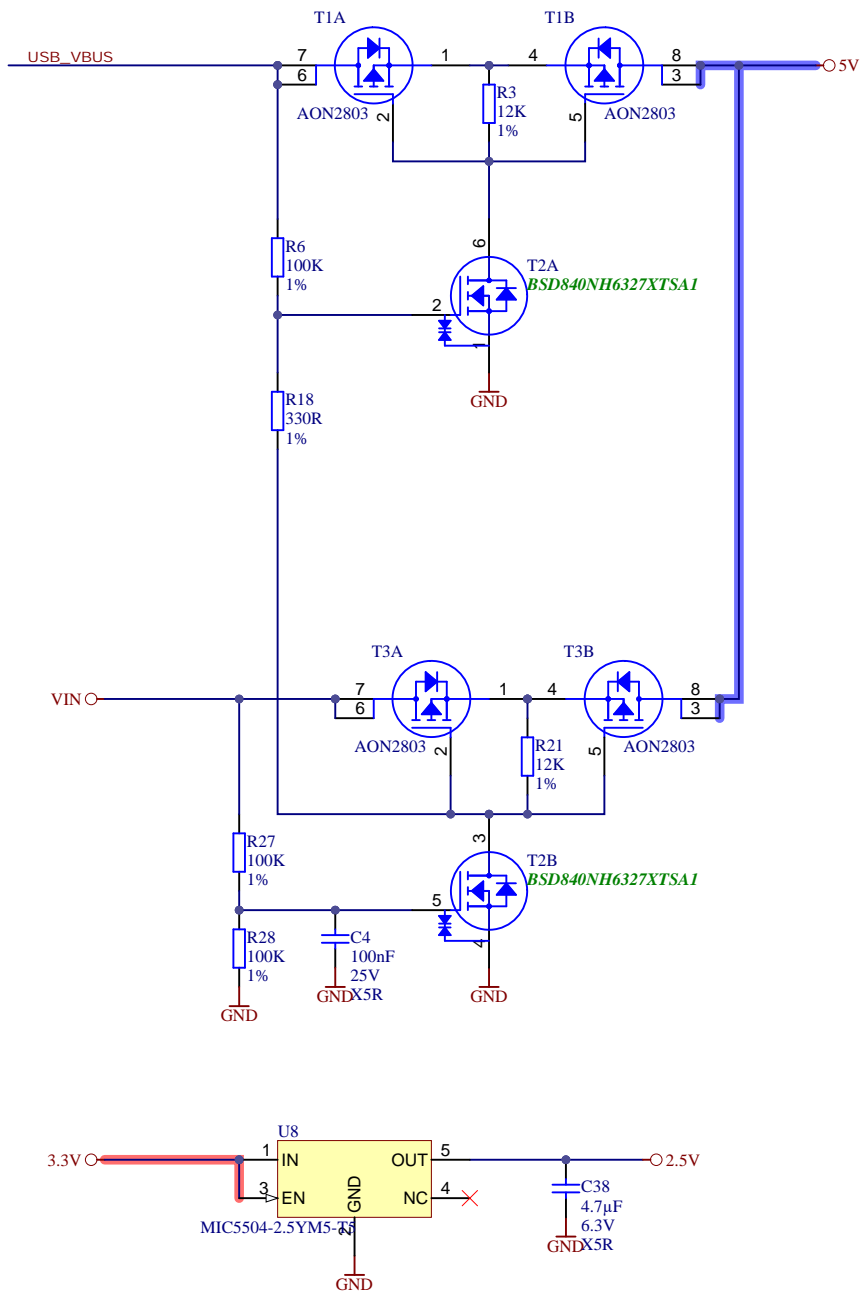
Title: FPGA		
A4	Number: TEI0050 AAH11A	Rev. 01
Date: 2022-03-25	Copyright: Trenz Electronic GmbH	Page 8 of 11
Filename: FPGA4.SchDoc		




Title: FTDI		
A4	Number: TEI0050 AAH11A	Rev. 01
Date: 2022-03-25	Copyright: Trenz Electronic GmbH	
Filename: FTDI.SchDoc		Page 9 of 11



Title: Flash RAM		
A4	Number: TEI0050 AAH11A	Rev. 01
Date: 2022-03-25	Copyright: Trenz Electronic GmbH	
Page 10 of 11		
Filename: SENSOR_Flash_RAM.SchDoc		



			Title: PowerSupply	
			A4	Number: TEI0050 AAH11A
Date: 2022-03-25		Copyright: Trenz Electronic GmbH		Page 11 of 11
Filename: PowerSupply.SchDoc				