

1

2

3

4

A

A

REV	Description	
-01	Initial revision	VT

B


B

C

C

D

D

			Title: <b>Revision Changes</b>					
			A4	Number: <b>TEI0050 AAH13A</b>		Rev. <b>01</b>		
			Date: <b>2019-11-01</b>		Copyright: <b>Trenz Electronic GmbH</b>		Page1 of 11	
			Filename: <b>Revision_Changes.SchDoc</b>					

1

2

3

4

1

2

3

4

A

A

B

B

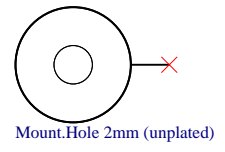
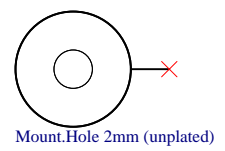
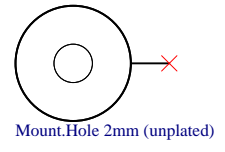
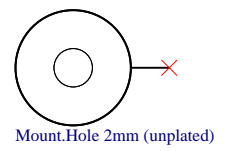
C

C

D

D

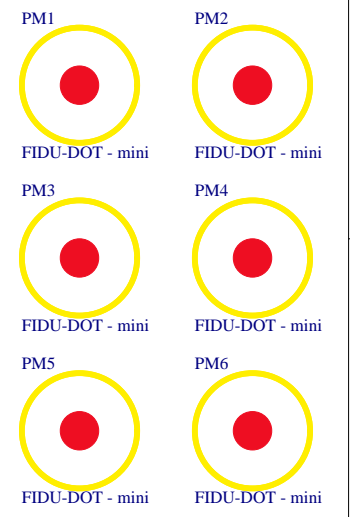
U_FTDI FTDI.SchDoc	U_FPGA_MISC FPGA_MISC.SchDoc
U_SENSOR_Flash_RAM SENSOR_Flash_RAM.SchDoc	U_FPGA FPGA.SchDoc
U_A-Headers A-Headers.SchDoc	U_FPGA2 FPGA2.SchDoc
U_PowerSupply PowerSupply.SchDoc	U_FPGA3 FPGA3.SchDoc
	U_FPGA4 FPGA4.SchDoc



LOGO1  
TE Logo PRINT Layer  
LOGO PRINT

UKCA  
UKCA Logo on Top Overlay  
UKCA-TOPOVERLAY

Serial  
Serialnumber 6,3 x 6.3mm



Assembly variant	AAH13A
Created by	VT
Modified by	VT
Modified at	28-04-2022
SVN Revision	16566



Title: TEI0050		
A4	Number: TEI0050 AAH13A	Rev. 01
Date: 2022-04-06	Copyright: Trenz Electronic GmbH	Page 2 of 11
Filename: TEI0050.SchDoc		

1

2

3

4

A

B

C

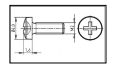
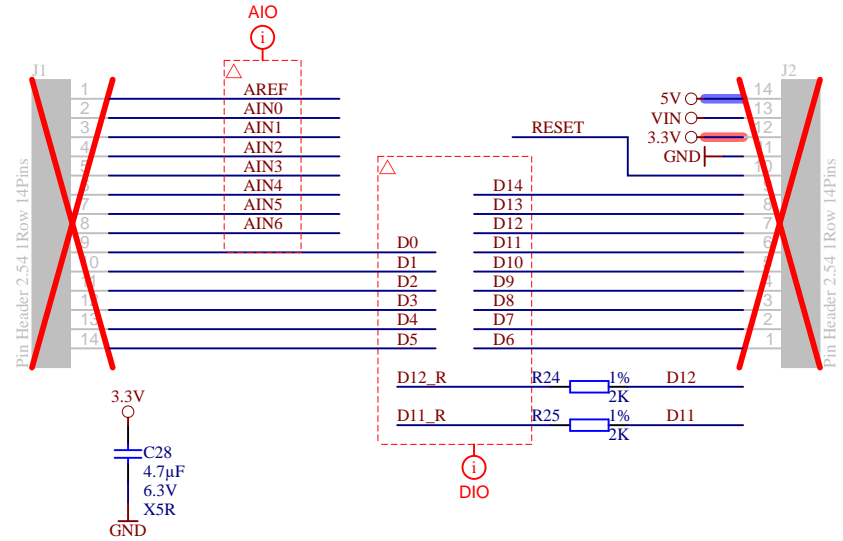
D

A

B

C

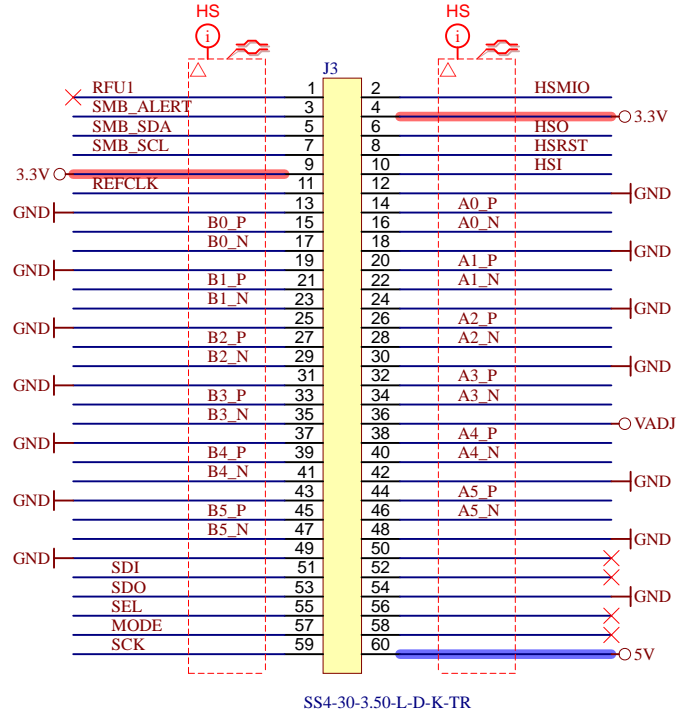
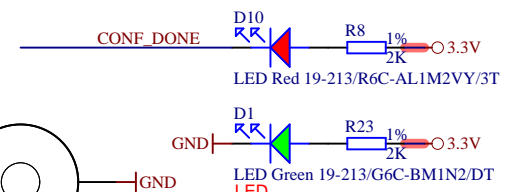
D



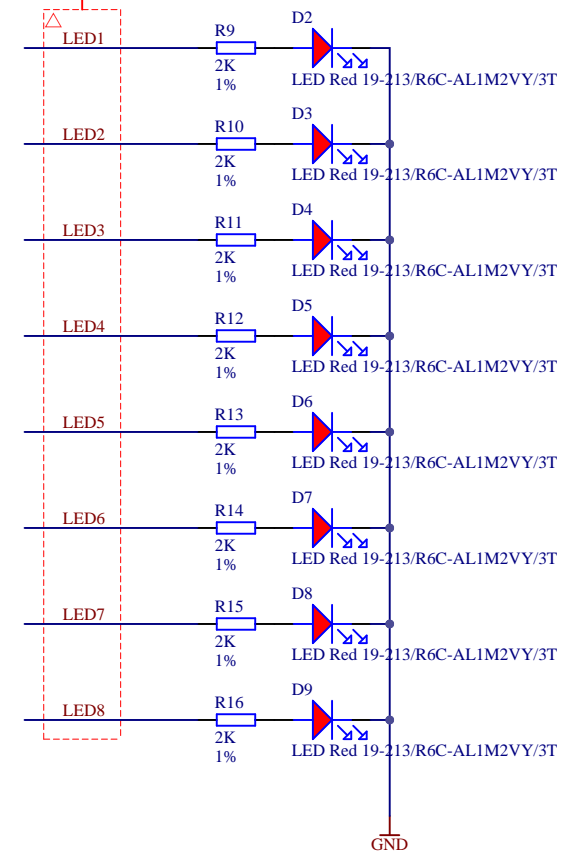
Screw M2x6



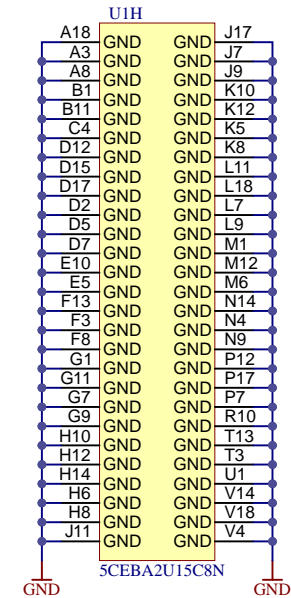
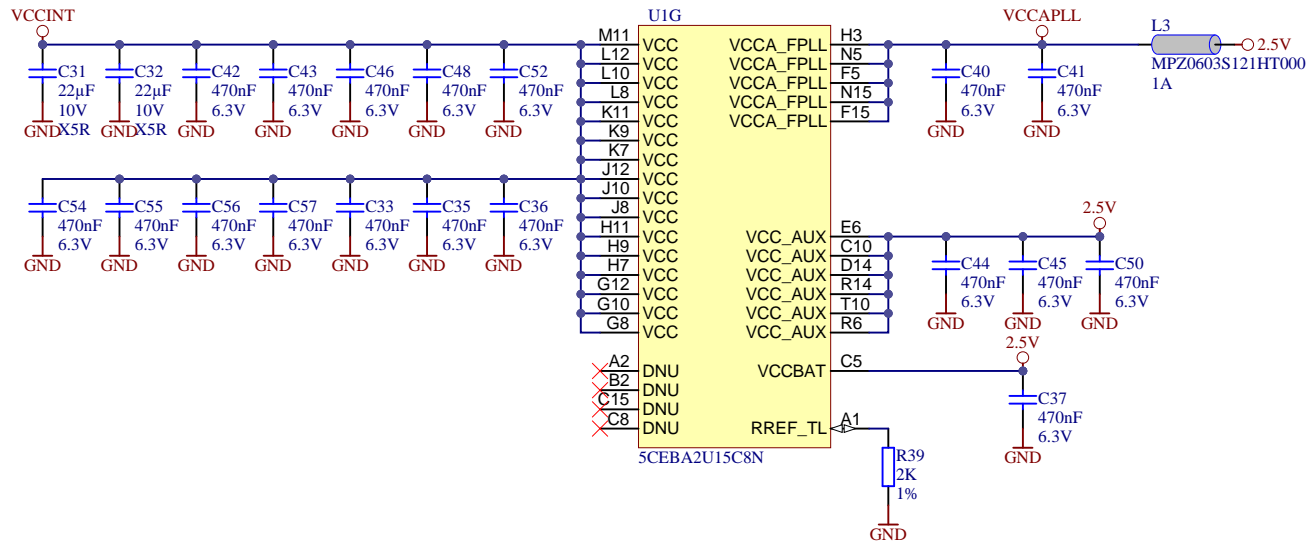
Steel Spacer M2 5mm SMD



SNAPI SNAP CRUV1 3x



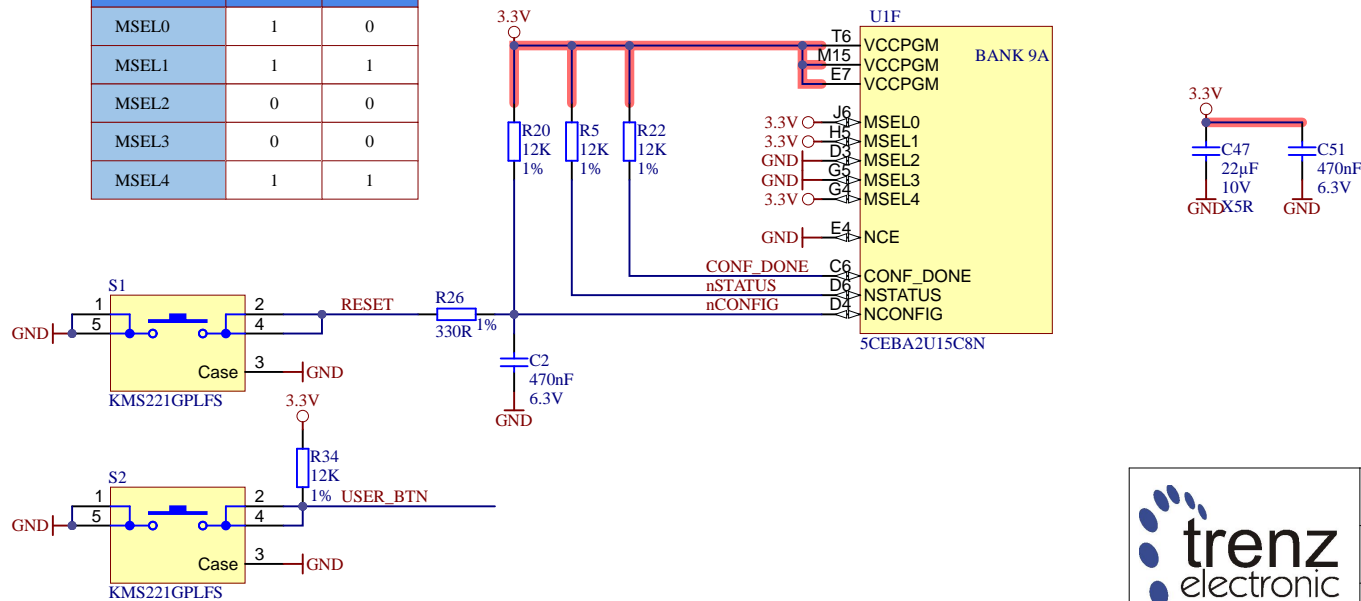
Title: Headers		
A4	Number: TEI0050 AAH13A	Rev. 01
Date: 2022-03-25	Copyright: Trenz Electronic GmbH	Page 3 of 11
Filename: A-Headers.SchDoc		



## Boot Configuration

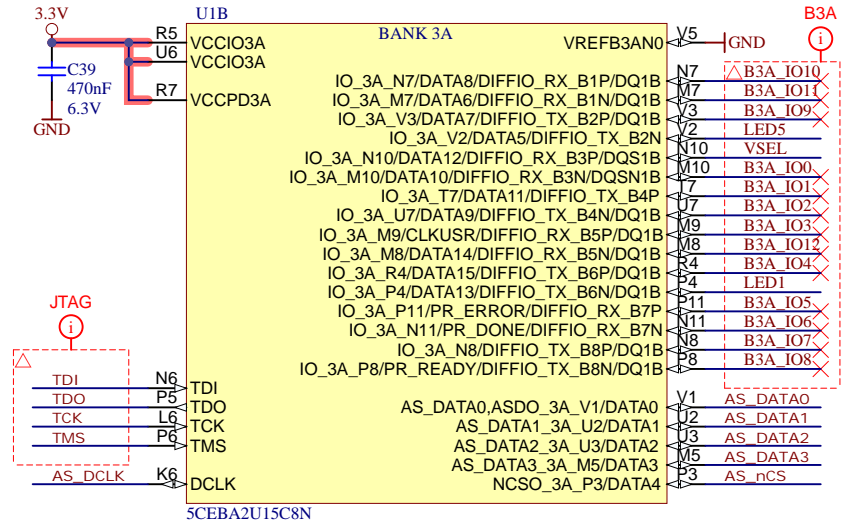
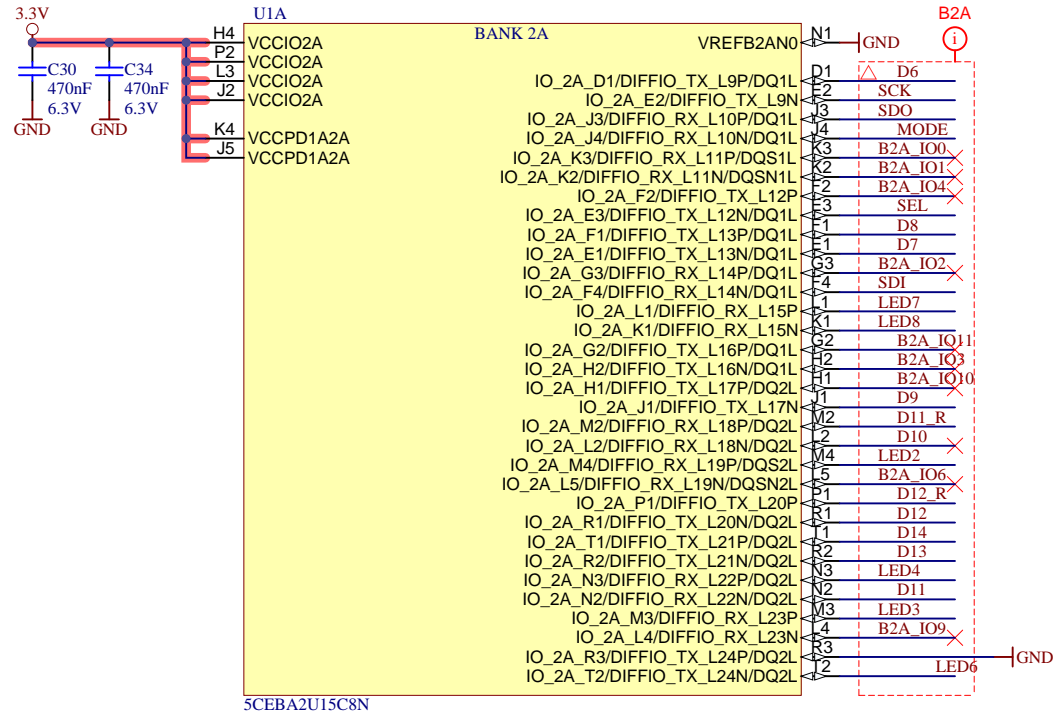
MSEL	AS Standard	AS Fast
MSEL0	1	0
MSEL1	1	1
MSEL2	0	0
MSEL3	0	0
MSEL4	1	1

## Boot Mode: ASx1, Standard POR



Title: <b>FPGA MISC</b>		
A4	Number: <b>TEI0050 AAH13A</b>	Rev. <b>01</b>
Date: <b>2022-03-25</b>	Copyright: <b>Trenz Electronic GmbH</b>	Page <b>4</b> of <b>11</b>
Filename: <b>FPGA_MISC.SchDoc</b>		

A



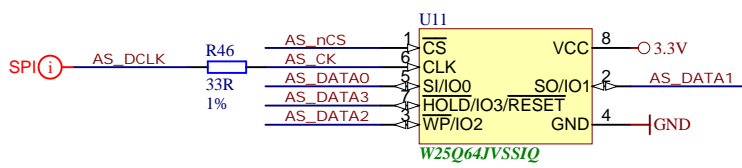
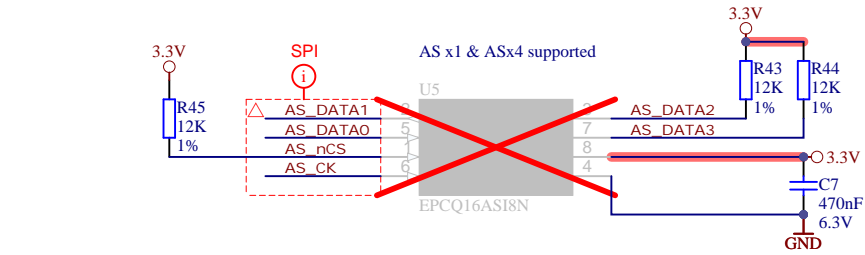
A

B

B

C

C



Title: <b>FPGA</b>		Rev. <b>01</b>
A4	Number: <b>TEI0050 AAH13A</b>	Page 5 of 11
Date: <b>2022-03-25</b>	Copyright: <b>Trenz Electronic GmbH</b>	
Filename: <b>FPGA.SchDoc</b>		



1

2

3

4

A

A

B

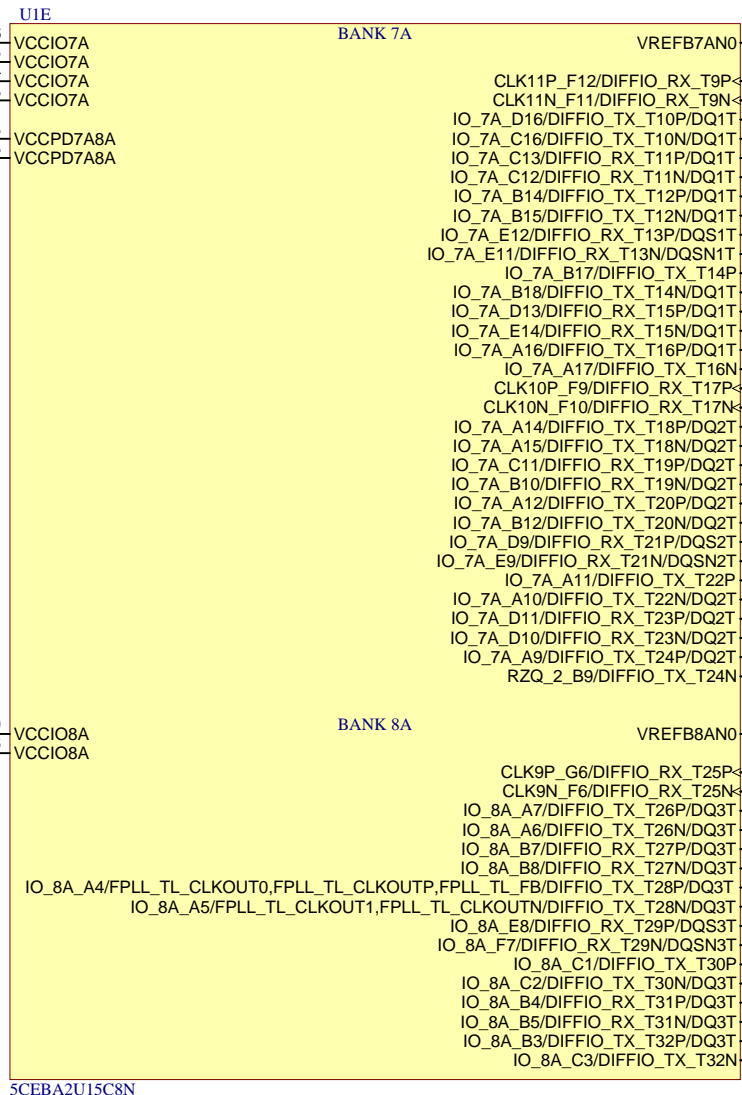
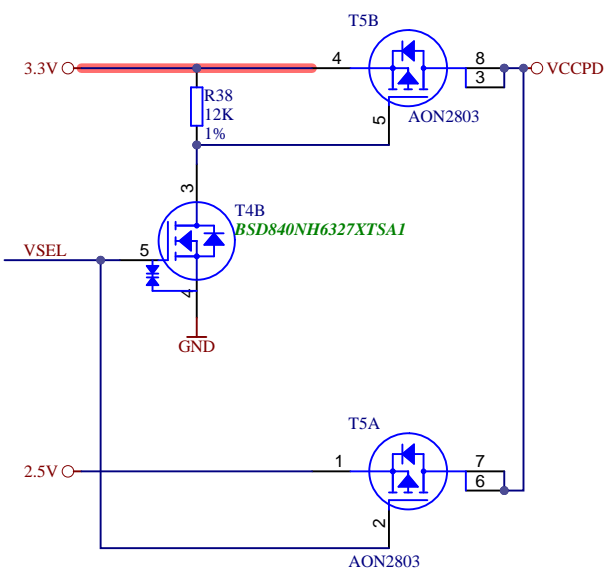
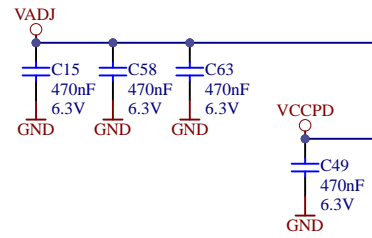
B

C

C

D

D



SCEBA2U15C8N



Title: <b>FPGA</b>		
A4	Number: <b>TEI0050 AAH13A</b>	Rev. <b>01</b>
Date: <b>2022-03-25</b>	Copyright: <b>Trenz Electronic GmbH</b>	Page <b>7</b> of <b>11</b>
Filename: <b>FPGA3.SchDoc</b>		

1

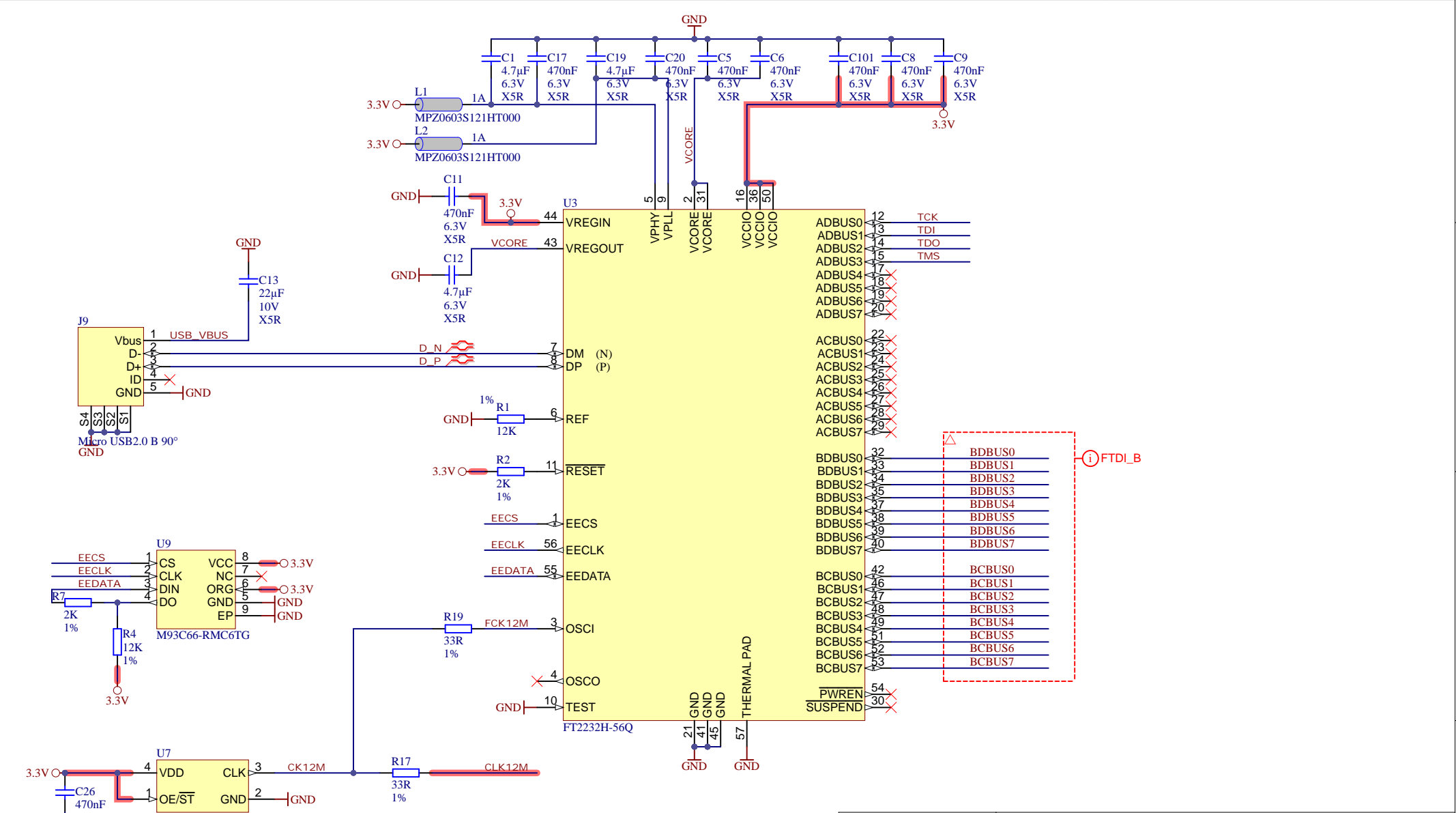
2


3

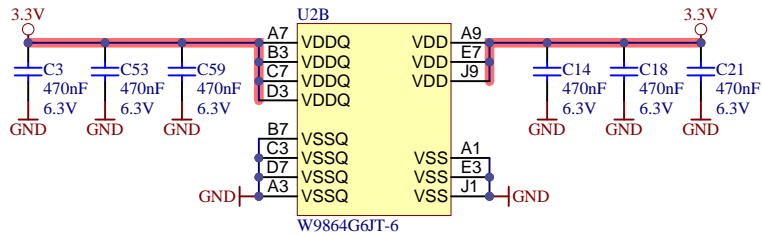
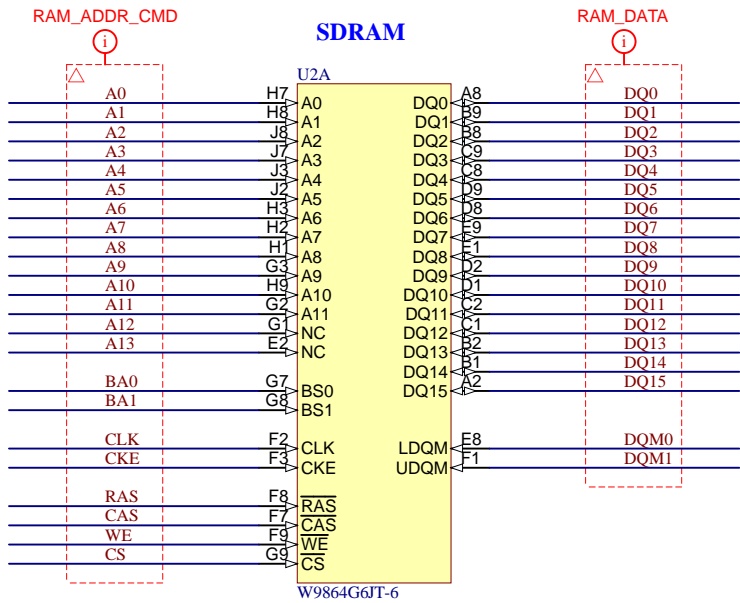
4




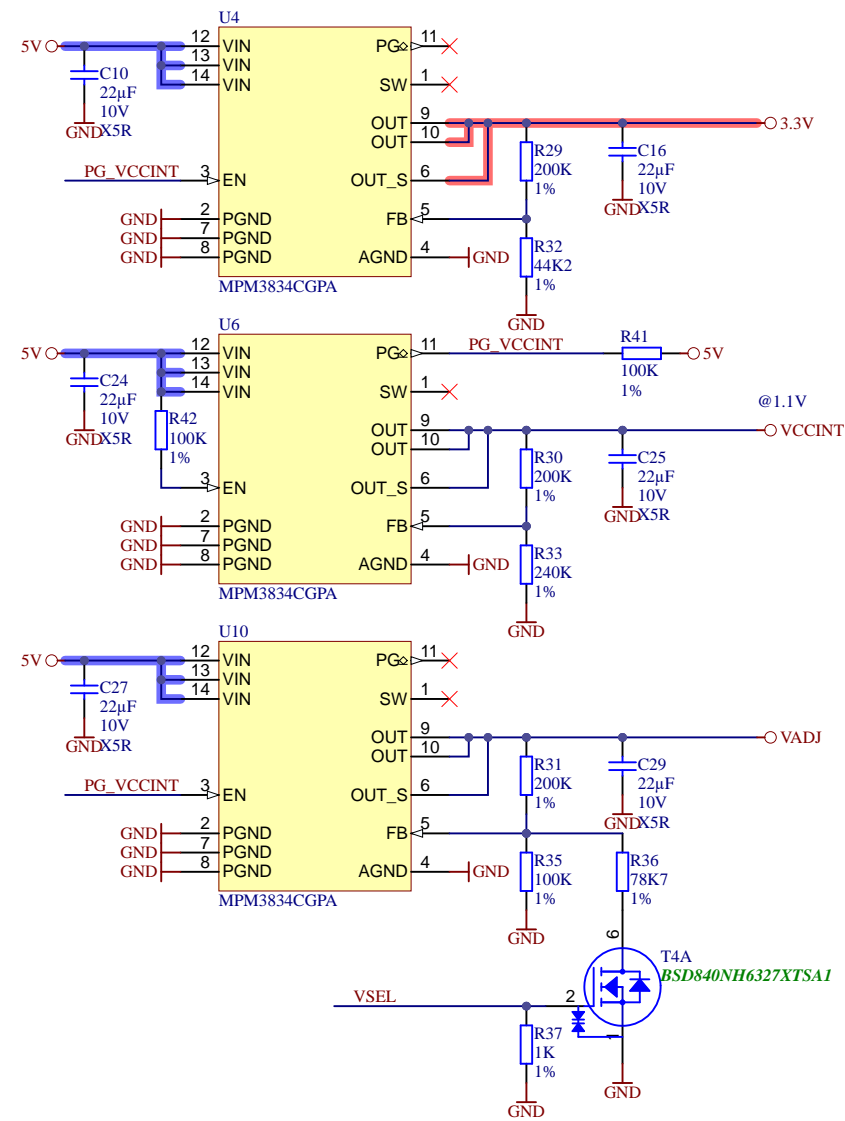
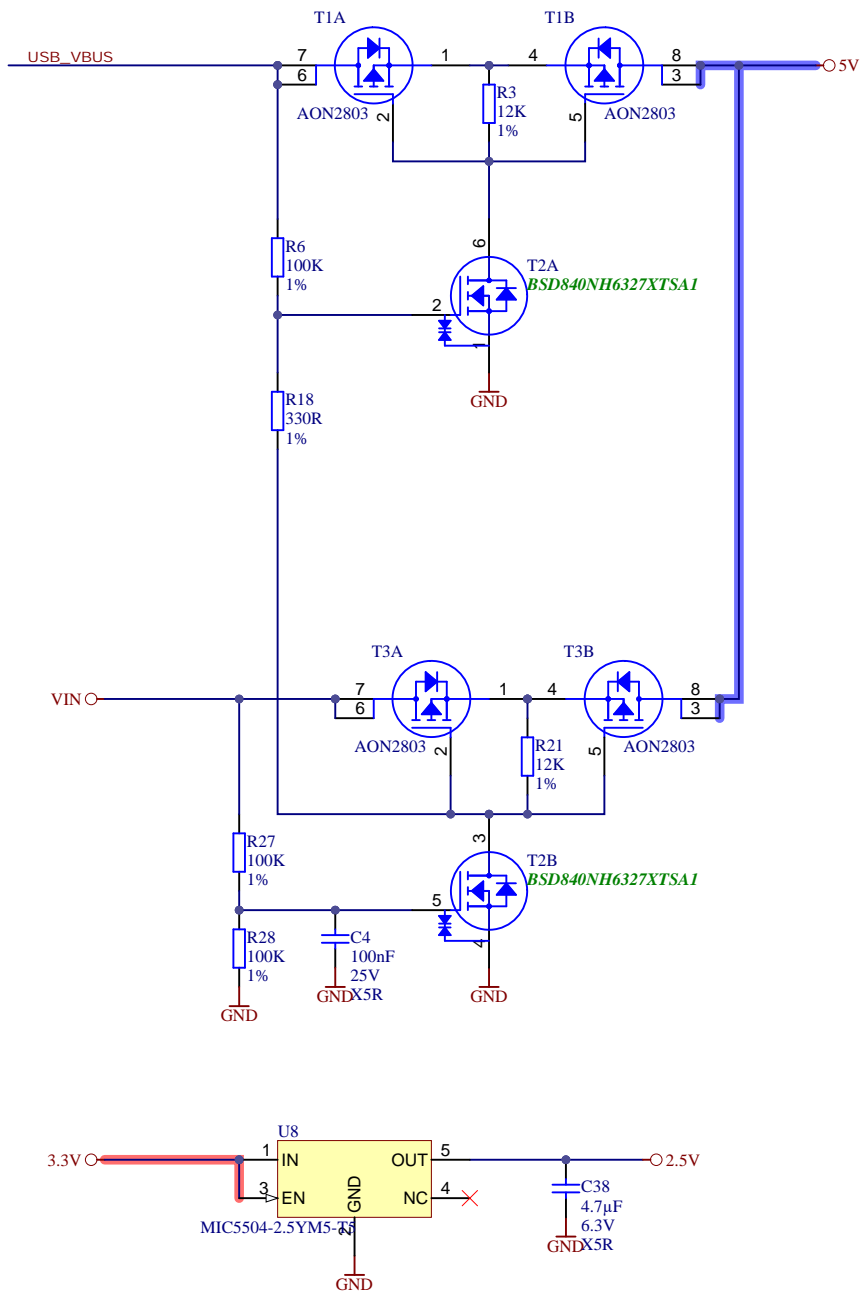





			Title: <b>FTDI</b>	
			A4	Number: <b>TEI0050 AAH13A</b>
Date: 2022-03-25		Copyright: Trenz Electronic GmbH		Page 9 of 11
Filename: <b>FTDI.SchDoc</b>				



		Title: Flash RAM	
		A4	Number: TEI0050 AAH13A
Date: 2022-03-25		Copyright: Trenz Electronic GmbH	
Filename: SENSOR_Flash_RAM.SchDoc		Page 10 of 11	



			Title: <b>PowerSupply</b>	
			A4	Number: <b>TEI0050 AAH13A</b>
Date: 2022-03-25		Copyright: Trenz Electronic GmbH		Page 11 of 11
Filename: <b>PowerSupply.SchDoc</b>				