

1

2

3

4

U\_A-Headers  
A-Headers.SchDoc



U\_FPGA  
FPGA.SchDoc



U\_ADC  
ADC.SchDoc



U\_FTDI  
FTDI.SchDoc



U\_SENSOR\_Flash\_RAM  
SENSOR\_Flash\_RAM.SchDoc



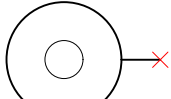
U\_FPGA\_MISC  
FPGA\_MISC.SchDoc



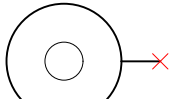
U\_PowerSupply  
PowerSupply.SchDoc



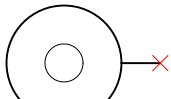
U\_A\_POWER  
Analog\_power.SchDoc



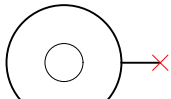
Mount.Hole 2mm (unplated)



Mount.Hole 2mm (unplated)

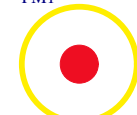


Mount.Hole 2mm (unplated)



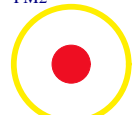
Mount.Hole 2mm (unplated)

PM1



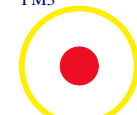
FIDU-DOT - mini

PM2



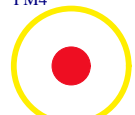
FIDU-DOT - mini

PM3



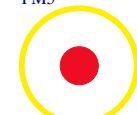
FIDU-DOT - mini

PM4



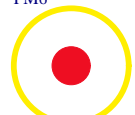
FIDU-DOT - mini

PM5



FIDU-DOT - mini

PM6



FIDU-DOT - mini

Serial  
Serial  
Serialnumber 6,3 x 6.3mm



Title: TEI0015		
A4	Number: TEI0015 08-C8A	Rev. 01
Date: 2019-02-06	Copyright: Trenz Electronic GmbH	Page1 of 9
Filename: TEI0015.SchDoc		

1

2

3

4

A

A

B

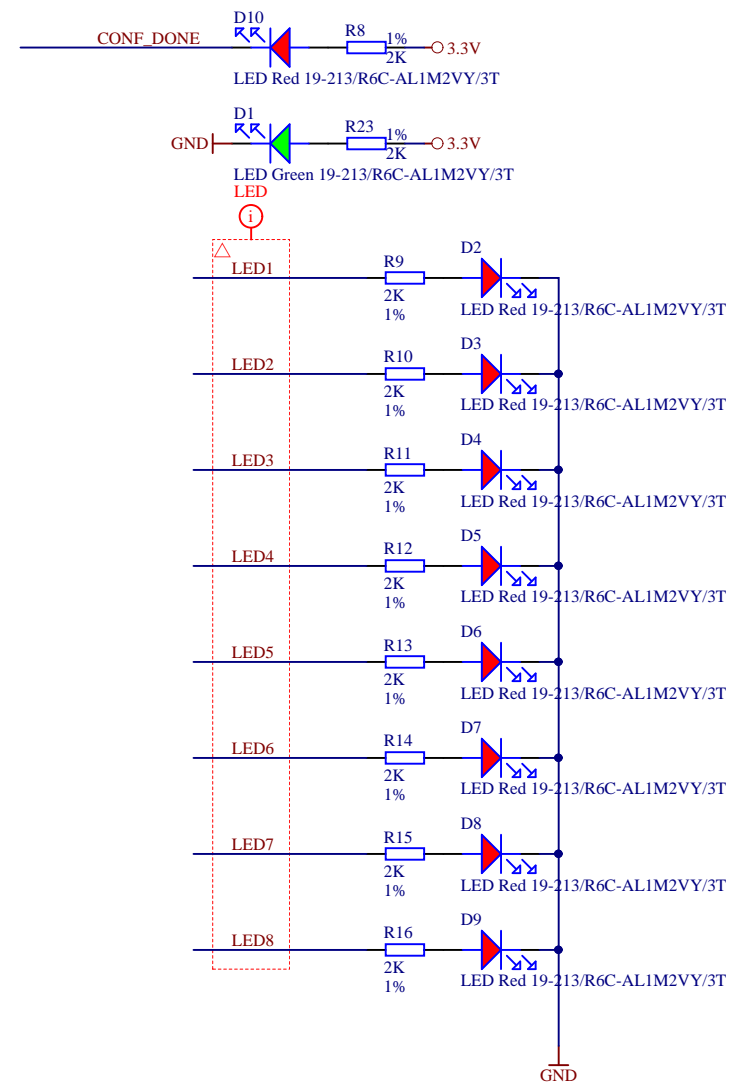
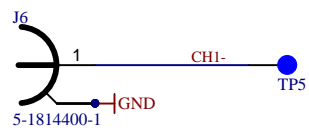
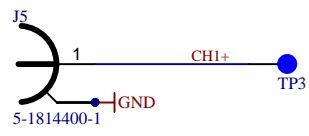
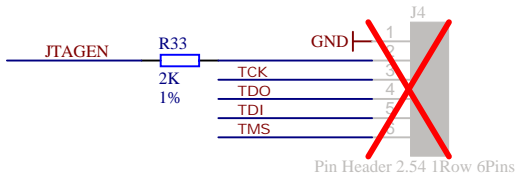
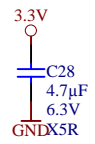
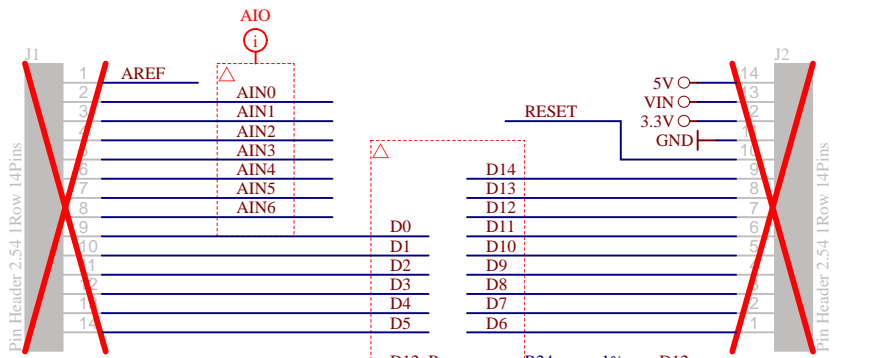
B

C

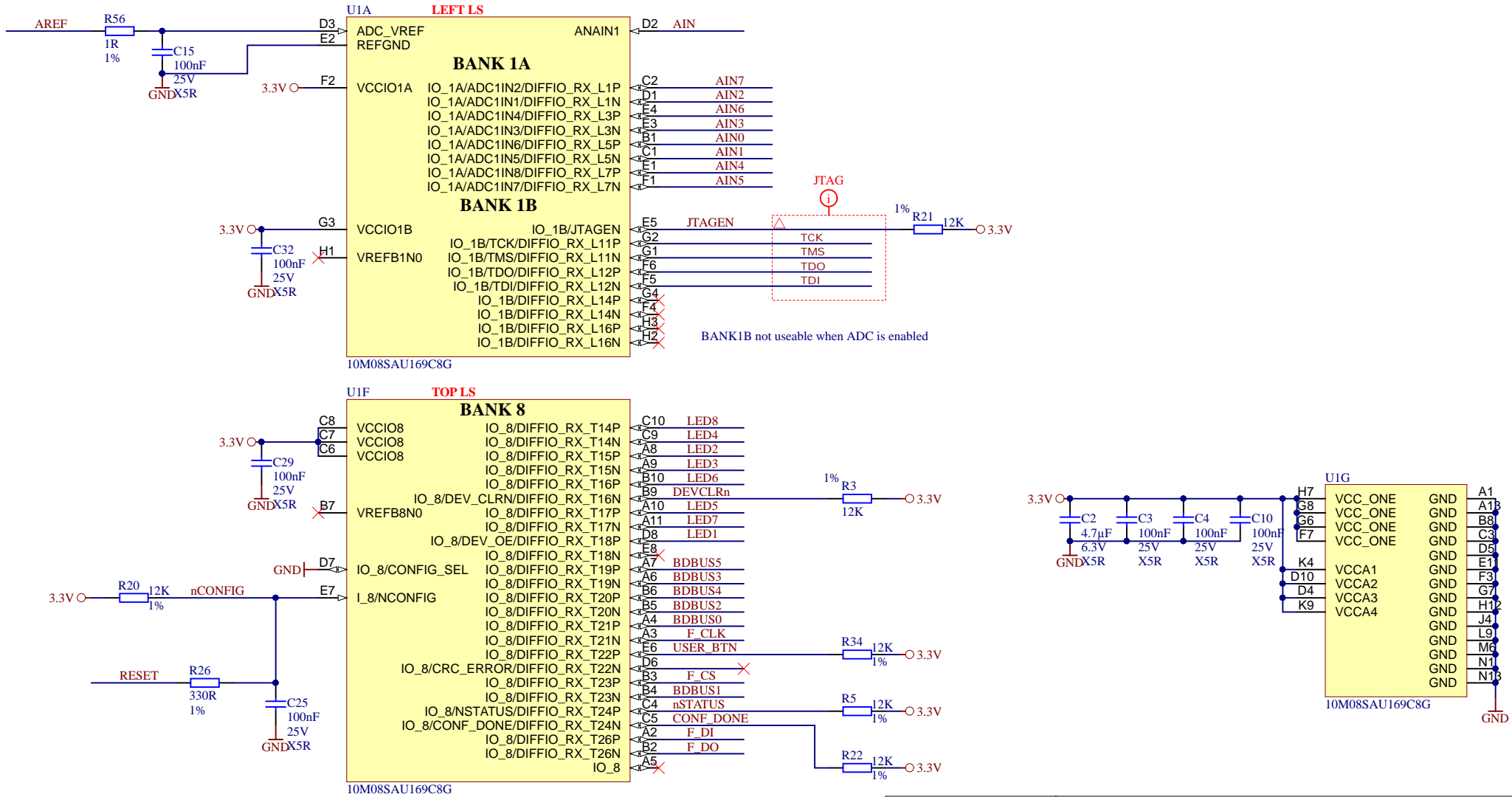
C

D

D



Title: Headers		
A4	Number: TEI0015 08-C8A	Rev. 01
Date: 2019-02-06	Copyright: Trenz Electronic GmbH	Page2 of 9
Filename: A-Headers.SchDoc		



		Title: <b>FPGA MISC</b>	
		A4	Number: <b>TEI0015 08-C8A</b>
Date: 2019-02-06		Copyright: Trenz Electronic GmbH	
Filename: <b>FPGA_MISC.SchDoc</b>		Rev. <b>01</b>	

1

2

3

4

A

A

B

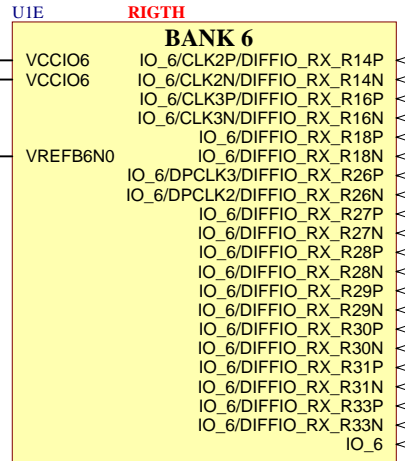
B

C

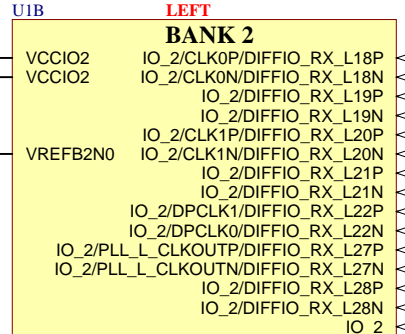
C

D

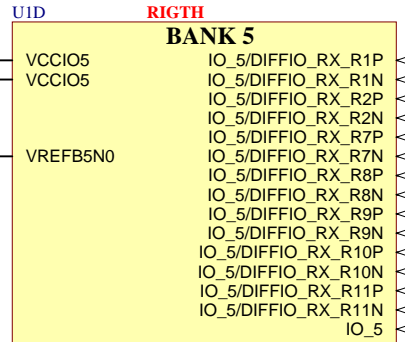
D



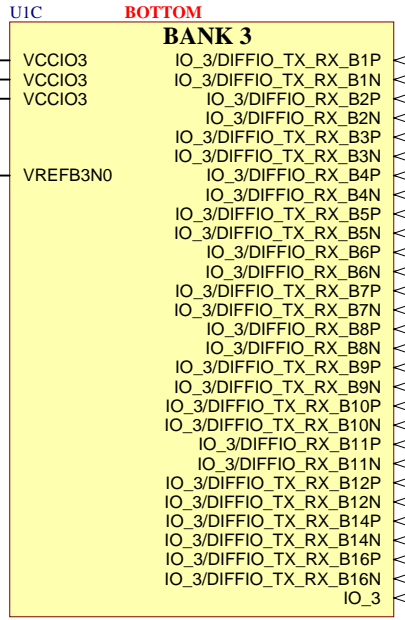
10M08SAU169C8G



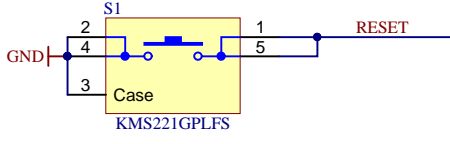
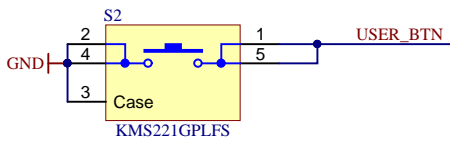
10M08SAU169C8G



10M08SAU169C8G



10M08SAU169C8G



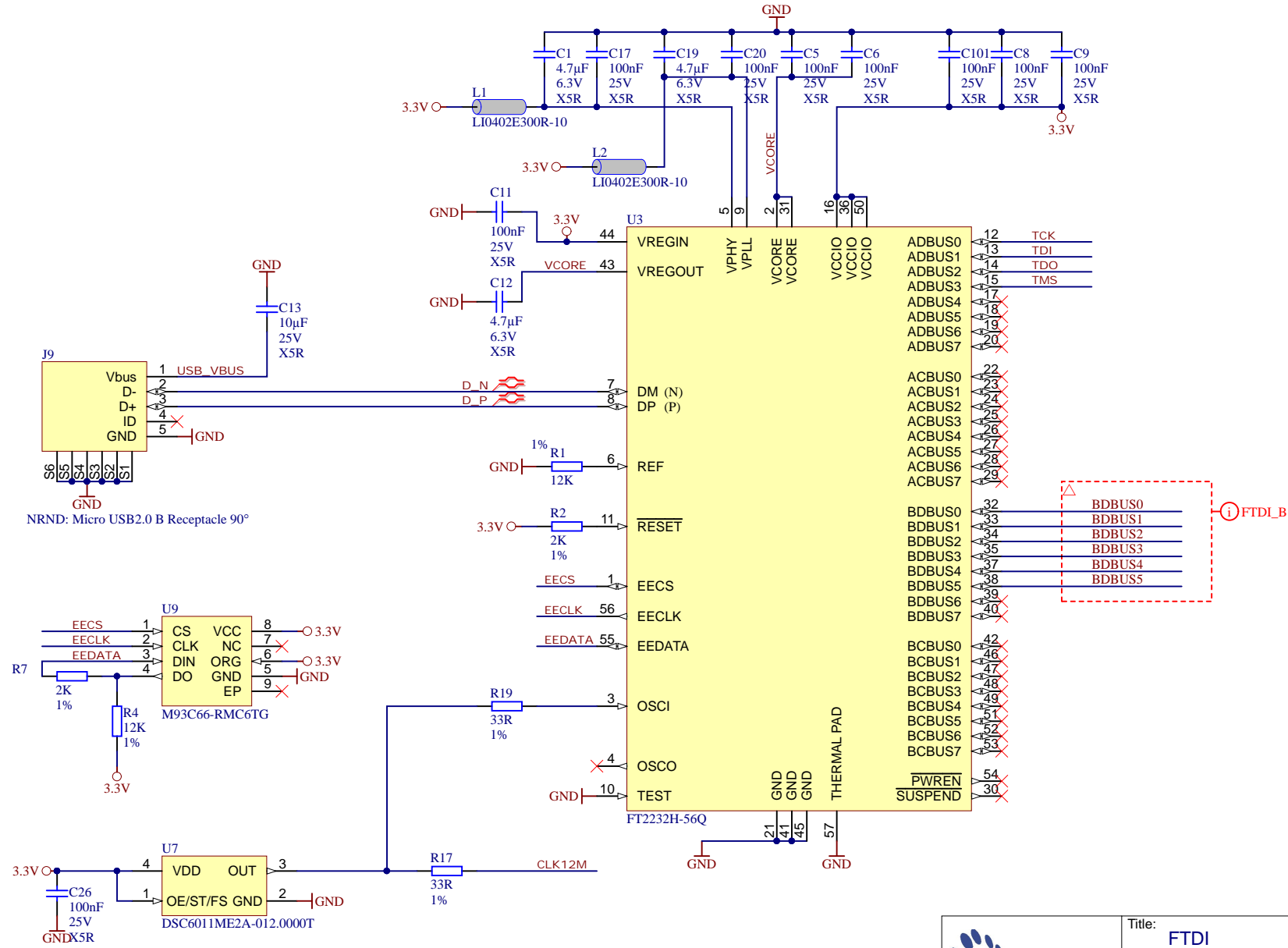
Title: <b>FPGA</b>		
A4	Number: <b>TEI0015 08-C8A</b>	Rev. <b>01</b>
Date: <b>2019-02-06</b>	Copyright: <b>Trenz Electronic GmbH</b>	Page <b>4</b> of <b>9</b>
Filename: <b>FPGA.SchDoc</b>		

1

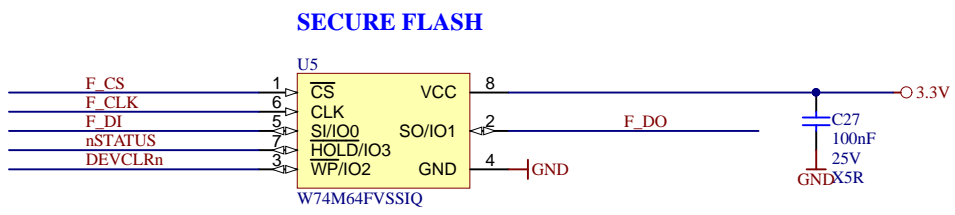
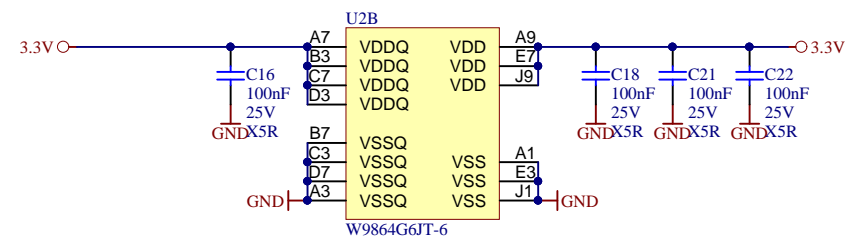
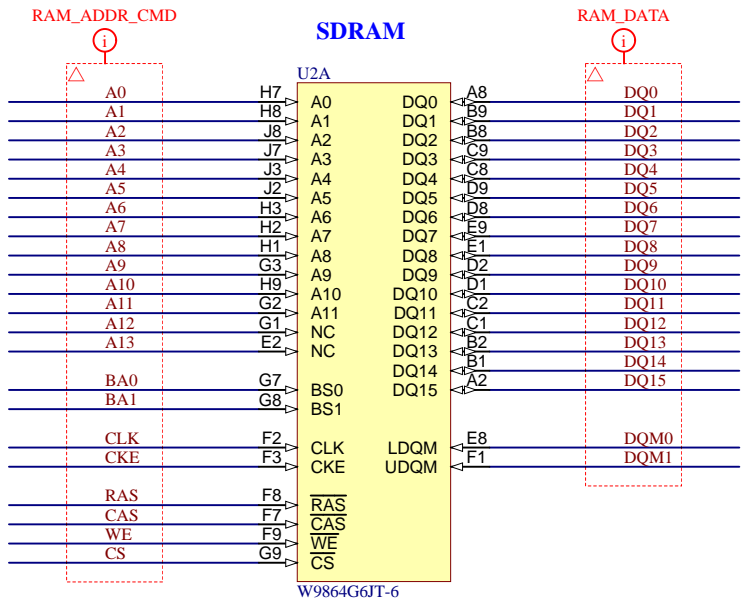
2

3

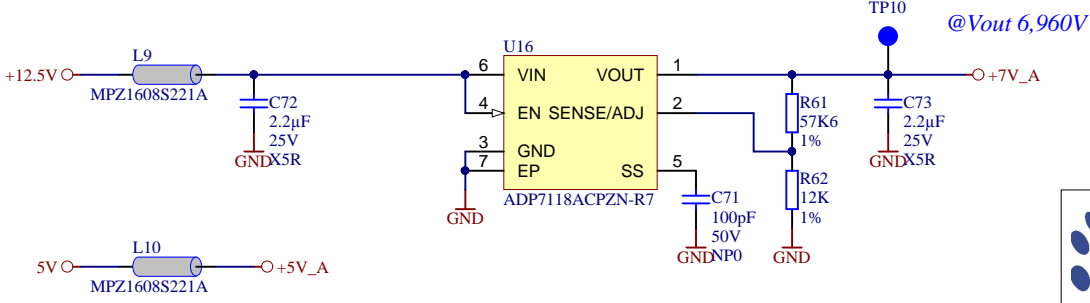
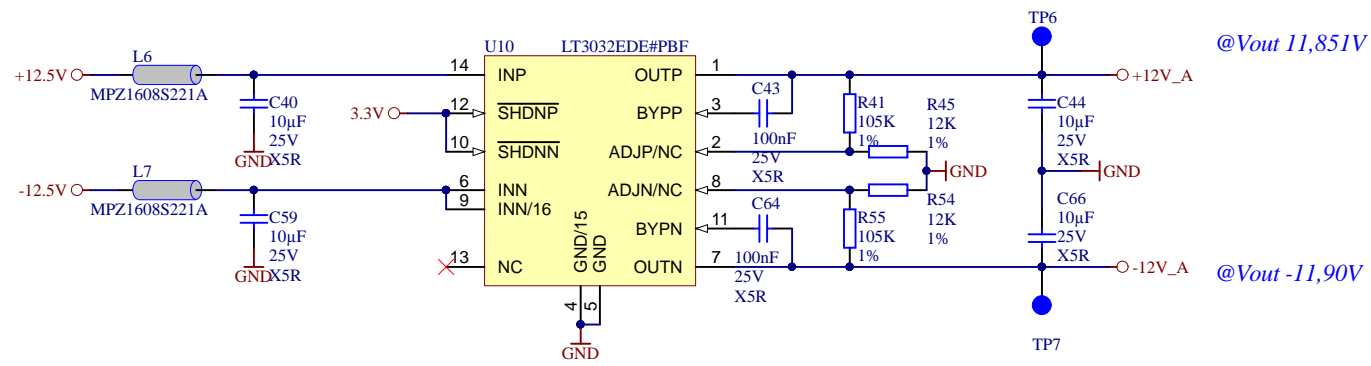
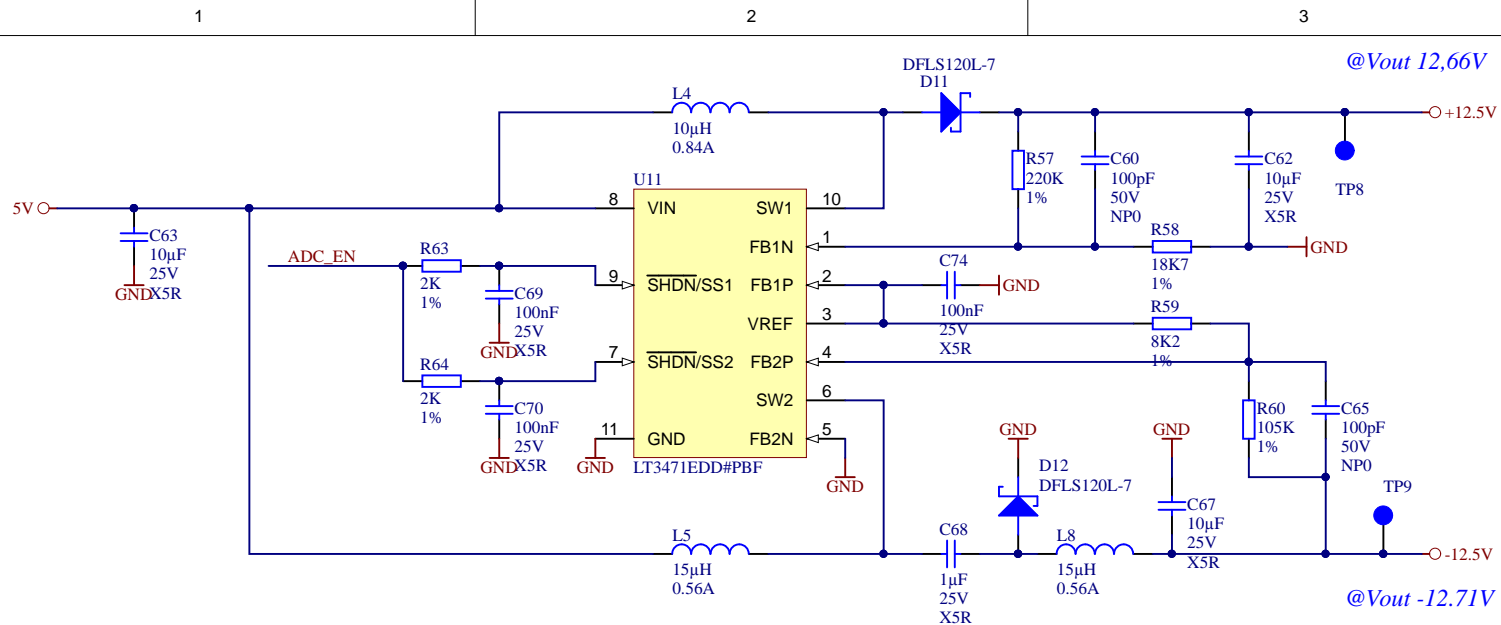
4




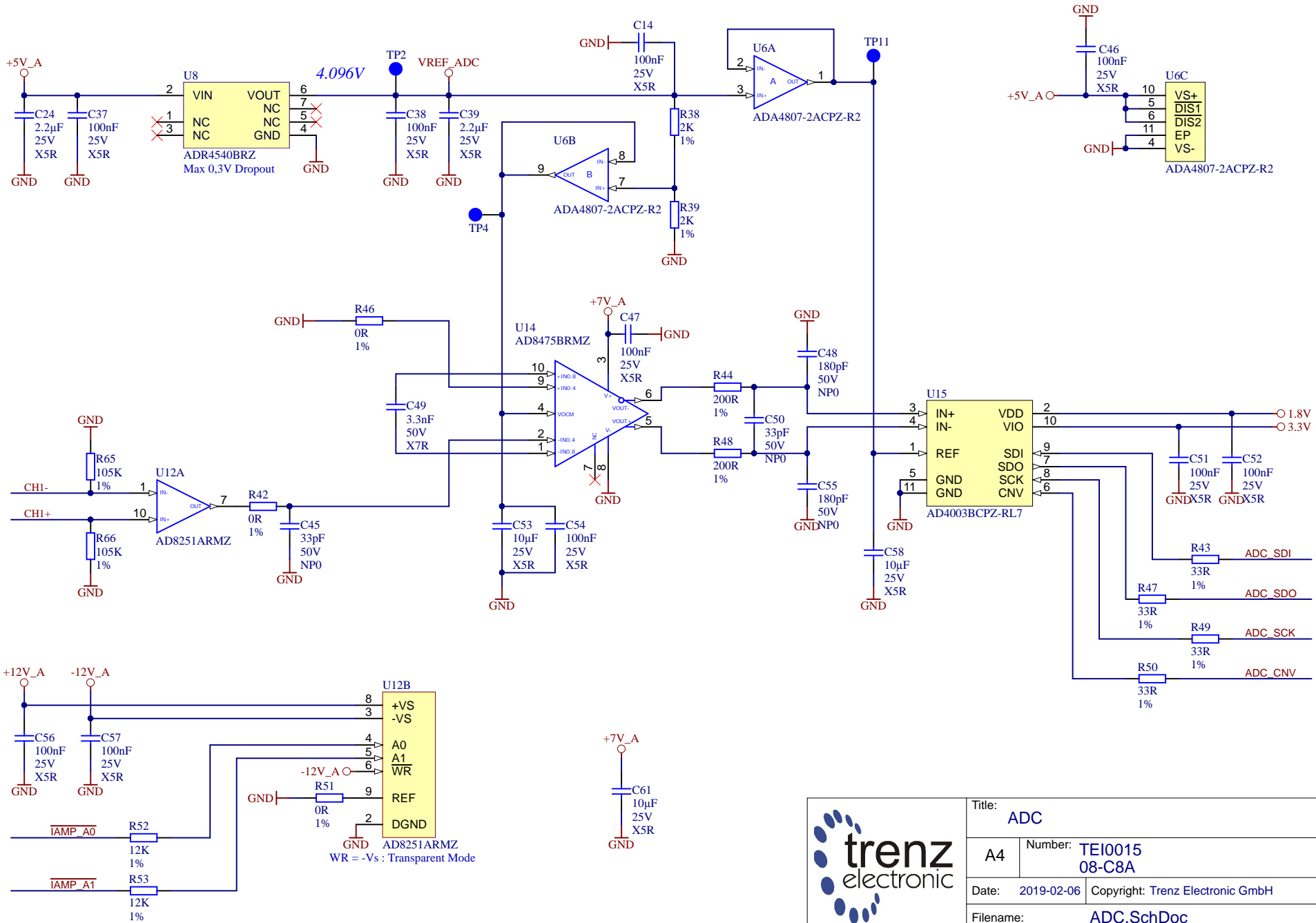
Title: <b>FTDI</b>		
A4	Number: <b>TEI0015 08-C8A</b>	Rev. <b>01</b>
Date: <b>2019-02-06</b>	Copyright: <b>Trenz Electronic GmbH</b>	Page <b>5</b> of <b>9</b>
Filename: <b>FTDI.SchDoc</b>		



Title: Flash RAM		
A4	Number: TEI0015 08-C8A	Rev. 01
Date: 2019-02-06	Copyright: Trenz Electronic GmbH	Page 6 of 9
Filename: SENSOR_Flash_RAM.SchDoc		

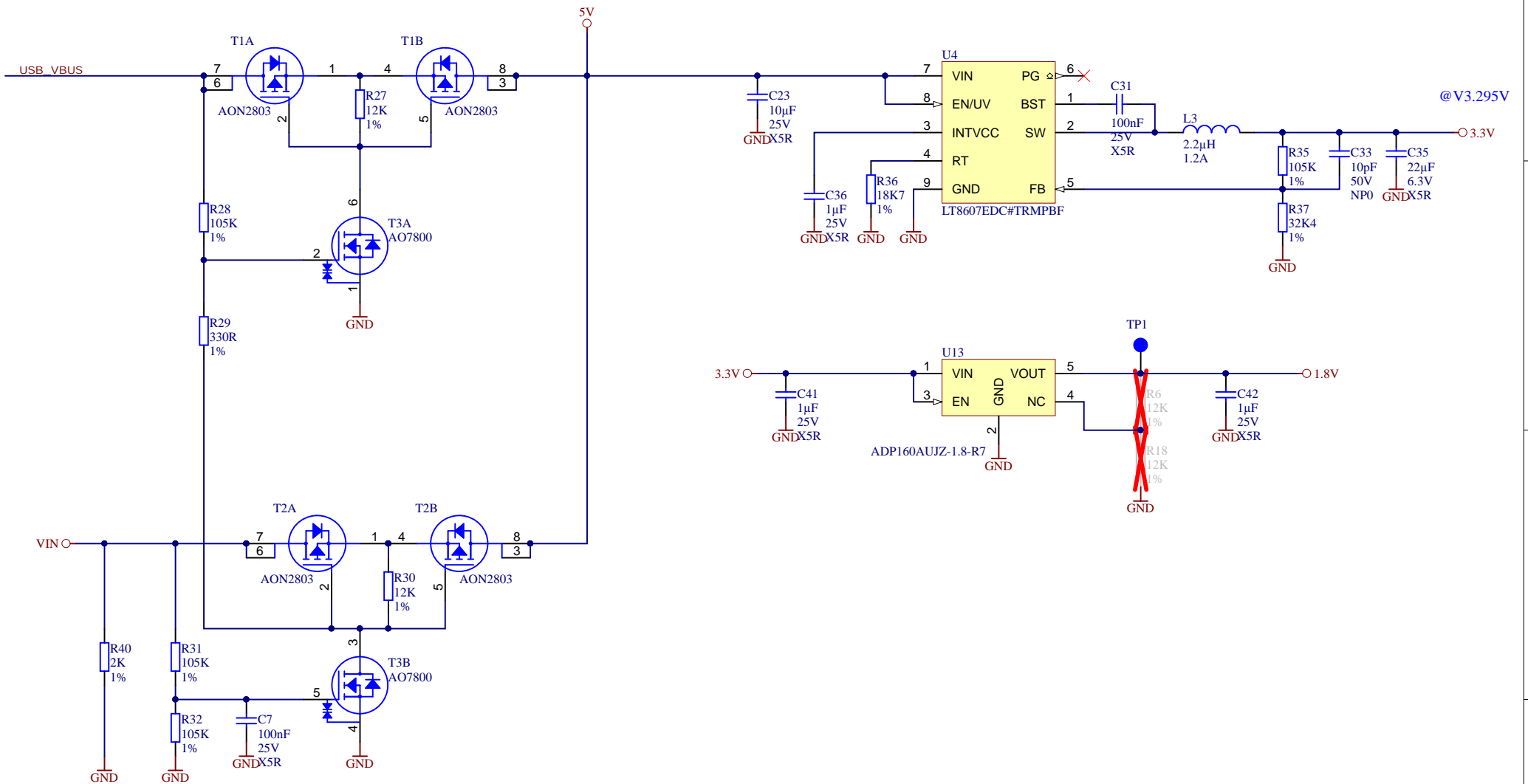



			Title: Analog power	
			A4	Number: TEI0015 08-C8A
Date: 2019-02-06		Copyright: Trenz Electronic GmbH		Page 7 of 9
Filename: Analog_power.SchDoc				



Title: <b>ADC</b>		
A4	Number: <b>TEI0015 08-C8A</b>	Rev. <b>01</b>
Date: <b>2019-02-06</b>	Copyright: <b>Trenz Electronic GmbH</b>	Page <b>7</b> of <b>9</b>
Filename: <b>ADC.SchDoc</b>		





	Title: <b>PowerSupply</b>		
	A4	Number: <b>TEI0015 08-C8A</b>	Rev. <b>01</b>
	Date: <b>2019-02-06</b>	Copyright: <b>Trenz Electronic GmbH</b>	Page <b>8</b> of <b>9</b>
	Filename: <b>PowerSupply.SchDoc</b>		

1

2

3

4

A

A

B


B

C

C

D

D

	Title: <b>Revision Changes</b>		
	A4	Number: <b>TEI0015 08-C8A</b>	Rev. <b>01</b>
	Date: <b>2019-02-06</b>	Copyright: <b>Trenz Electronic GmbH</b>	Page <b>9</b> of <b>9</b>
	Filename: <b>Revision_Changes.SchDoc</b>		

1

2

3

4