

1

2

3

4

U\_A-Headers  
A-Headers.SchDoc



U\_FPGA  
FPGA.SchDoc



U\_ADC  
ADC.SchDoc



U\_FTDI  
FTDI.SchDoc



U\_FPGA\_MISC  
FPGA\_MISC.SchDoc



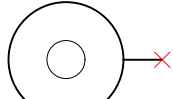
U\_SENSOR\_Flash\_RAM  
SENSOR\_Flash\_RAM.SchDoc



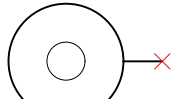
U\_PowerSupply  
PowerSupply.SchDoc



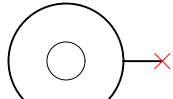
U\_A\_POWER  
Analog\_power.SchDoc



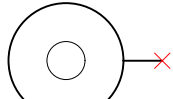
Mount.Hole 2mm (unplated)



Mount.Hole 2mm (unplated)



Mount.Hole 2mm (unplated)



Mount.Hole 2mm (unplated)

PM1



FIDU-DOT - mini

PM2



FIDU-DOT - mini

PM3



FIDU-DOT - mini

PM4



FIDU-DOT - mini

PM5



FIDU-DOT - mini

PM6



FIDU-DOT - mini

Serial  
Serial  
Serialnumber 6,3 x 6.3mm



Title: TEI0016		
A4	Number: TEI0016 08-C8A	Rev. 01
Date: 2019-02-06	Copyright: Trenz Electronic GmbH	Page1 of 9
Filename: TEI0016.SchDoc		

1

2

3

4

A

A

B

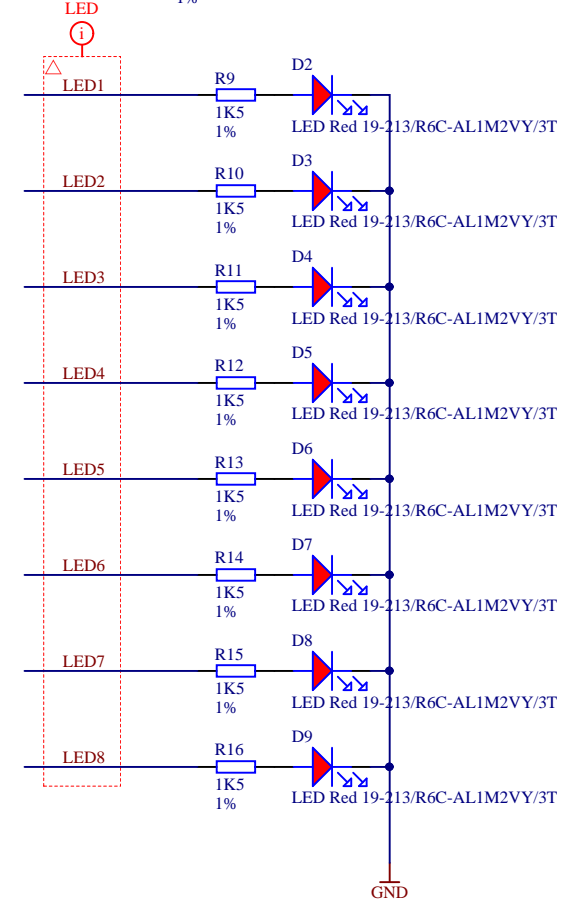
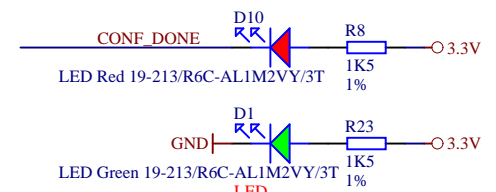
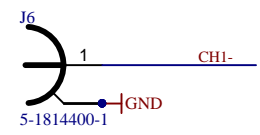
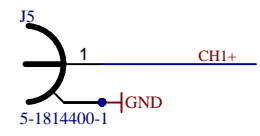
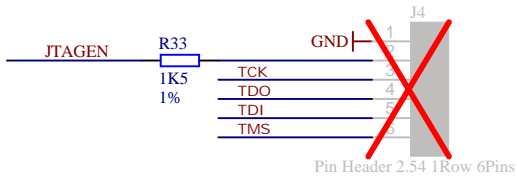
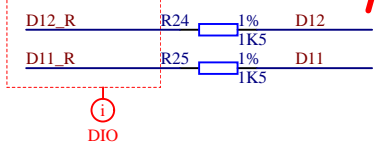
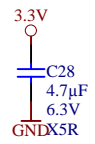
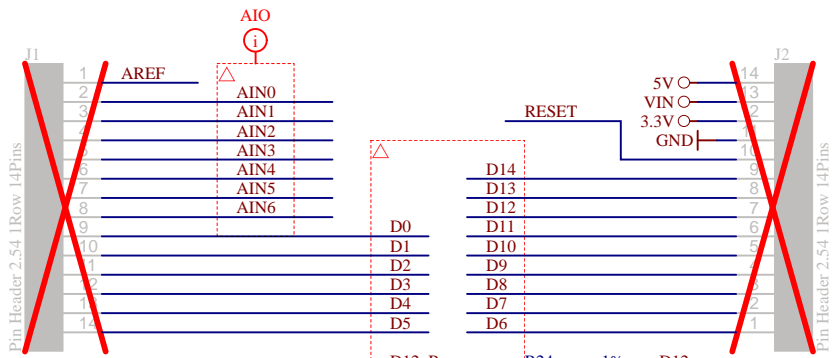
B

C

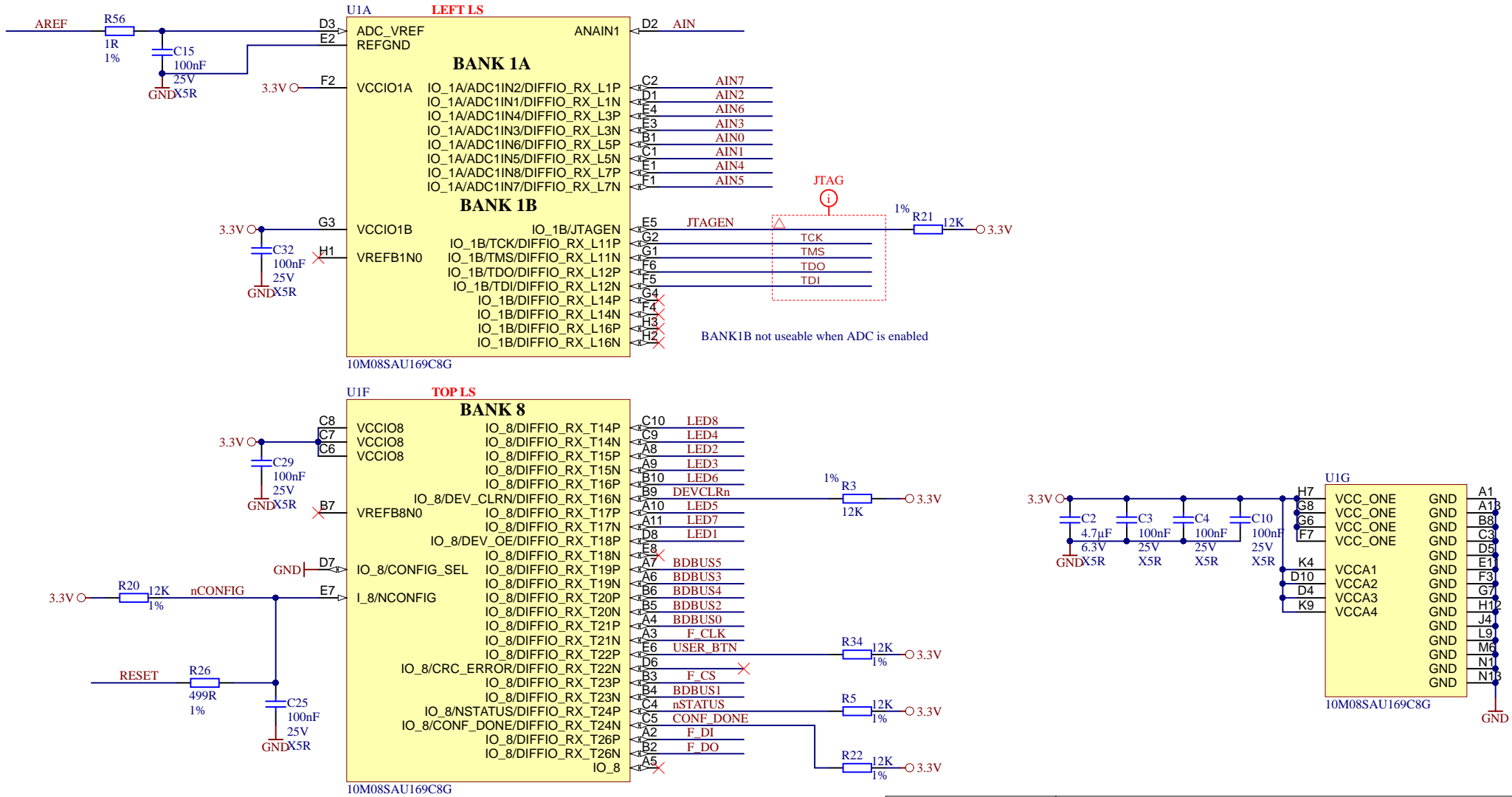
C

D

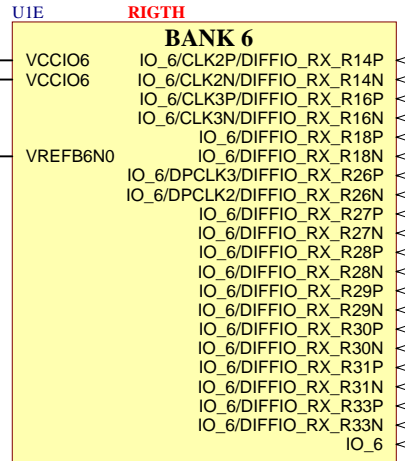
D



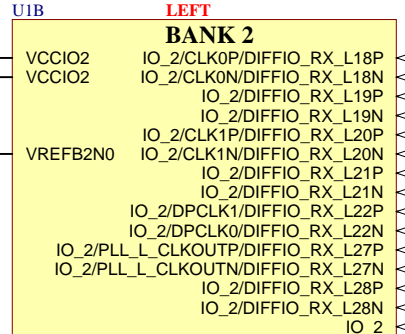
Title: A-Headers		
A4	Number: TEI0016 08-C8A	Rev. 01
Date: 2019-02-06	Copyright: Trenz Electronic GmbH	Page2 of 9
Filename: A-Headers.SchDoc		



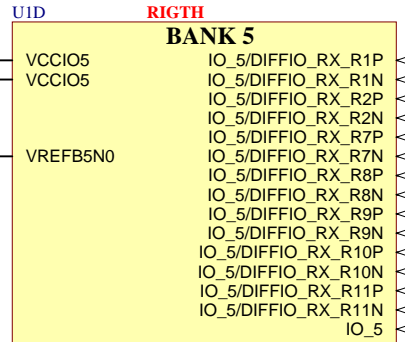
	Title: <b>FPGA MISC</b>	
	A4	Number: <b>TEI0016 08-C8A</b>
	Date: <b>2019-02-06</b>	Copyright: <b>Trenz Electronic GmbH</b>
	Rev. <b>01</b>	Page <b>3</b> of <b>9</b>
Filename: <b>FPGA_MISC.SchDoc</b>		



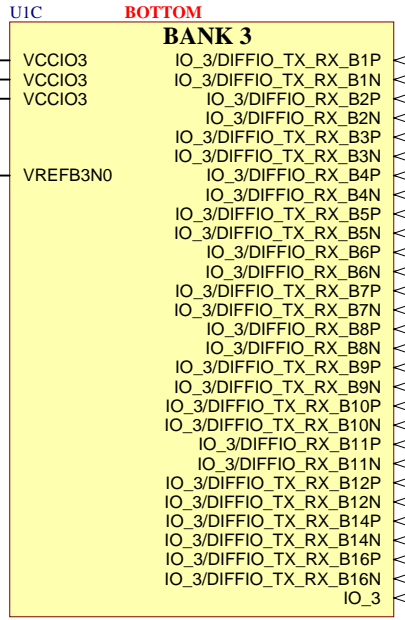
10M08SAU169C8G



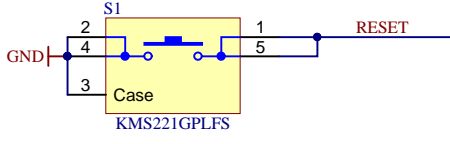
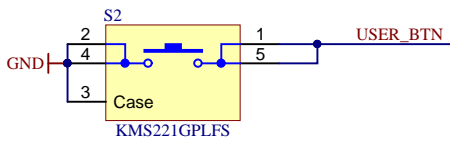
10M08SAU169C8G



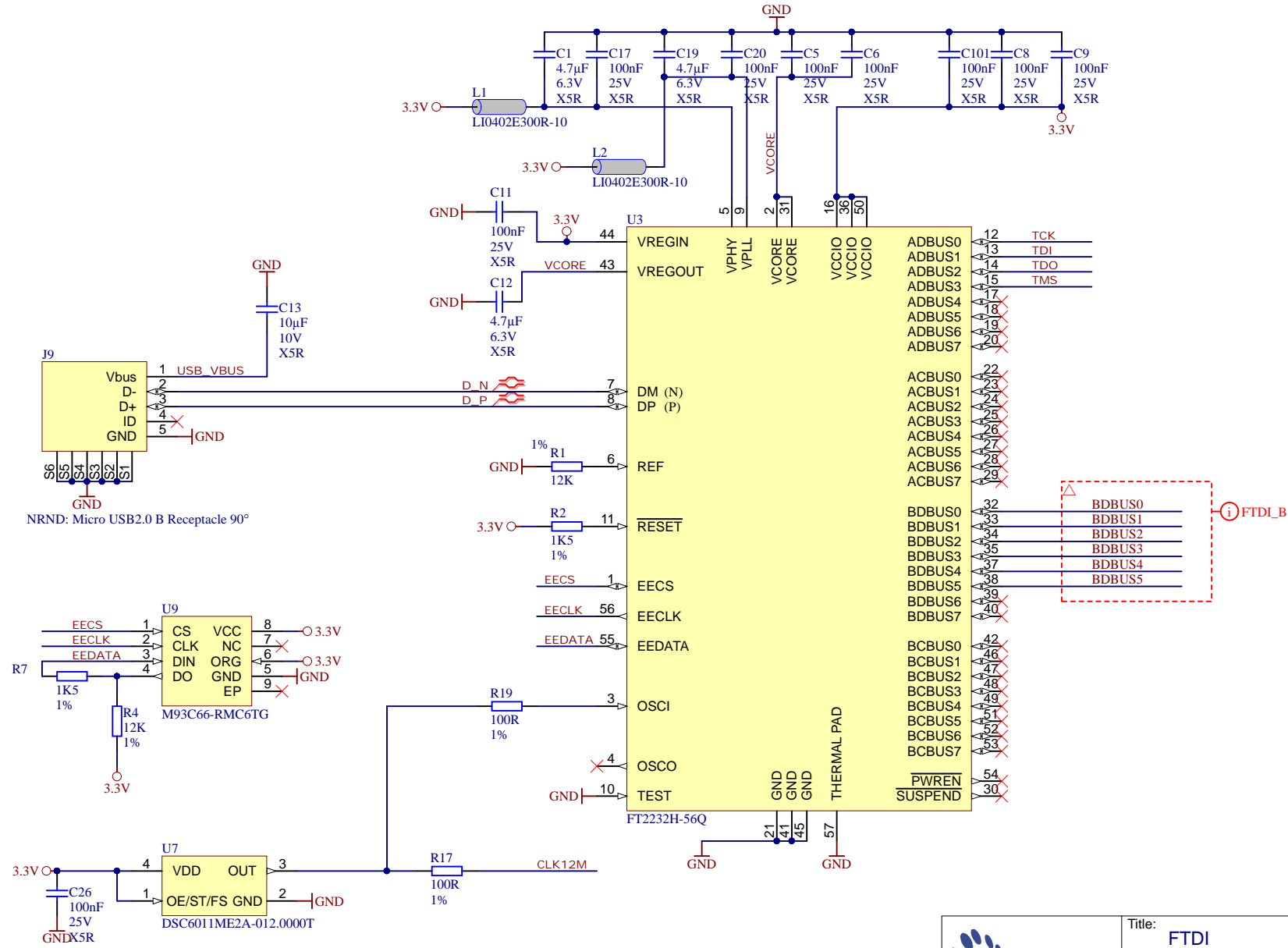
10M08SAU169C8G



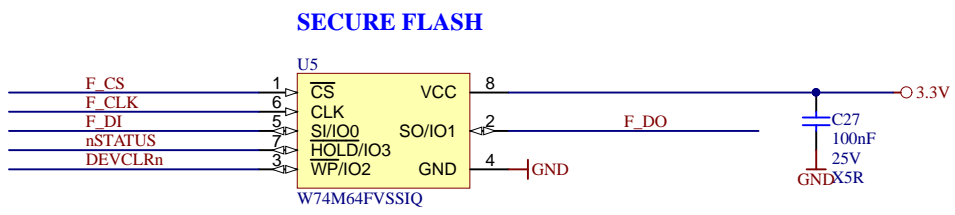
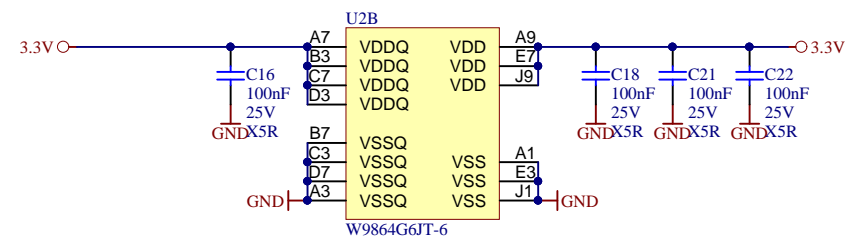
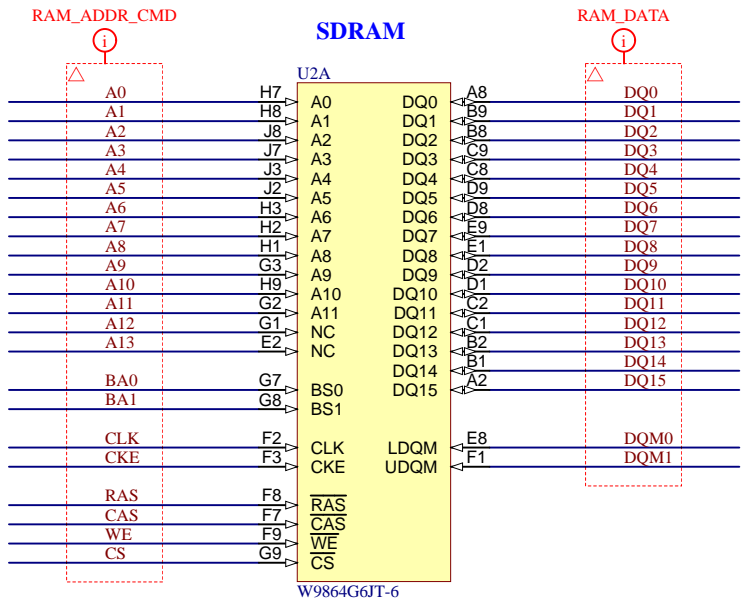
10M08SAU169C8G



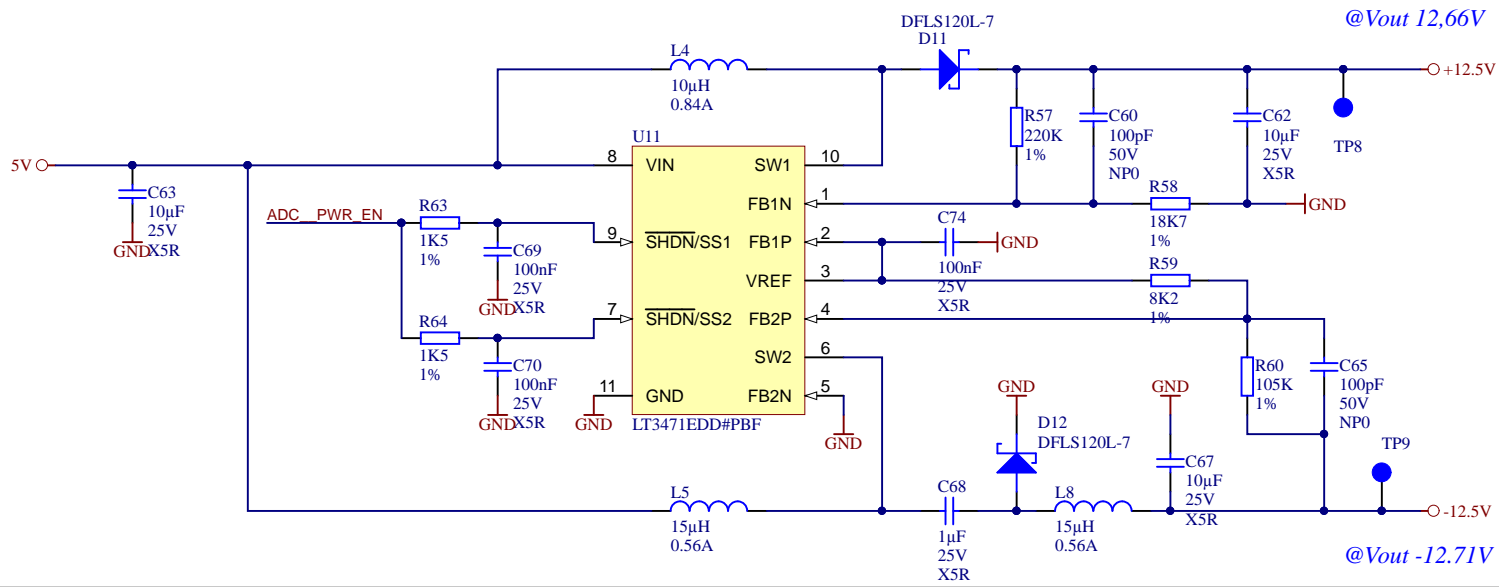
Title: <b>FPGA</b>		
A4	Number: <b>TEI0016 08-C8A</b>	Rev. <b>01</b>
Date: <b>2019-02-06</b>	Copyright: <b>Trenz Electronic GmbH</b>	Page <b>4</b> of <b>9</b>
Filename: <b>FPGA.SchDoc</b>		



Title: <b>FTDI</b>		
A4	Number: <b>TEI0016 08-C8A</b>	Rev. <b>01</b>
Date: <b>2019-02-06</b>	Copyright: <b>Trenz Electronic GmbH</b>	Page <b>5</b> of <b>9</b>
Filename: <b>FTDI.SchDoc</b>		

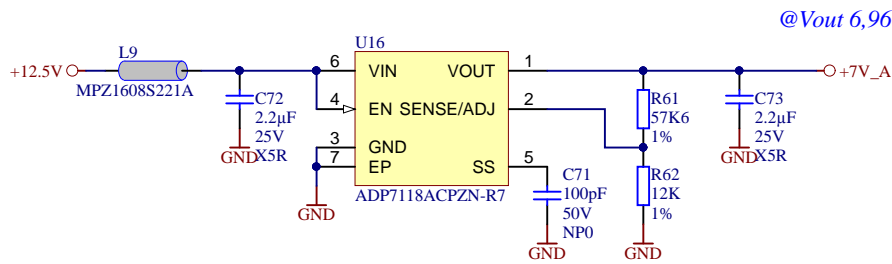


	Title: <b>SENSOR Flash RAM</b>		
	A4	Number: <b>TEI0016 08-C8A</b>	Rev. <b>01</b>
	Date: <b>2019-02-06</b>	Copyright: <b>Trenz Electronic GmbH</b>	Page <b>6</b> of <b>9</b>
	Filename: <b>SENSOR_Flash_RAM.SchDoc</b>		

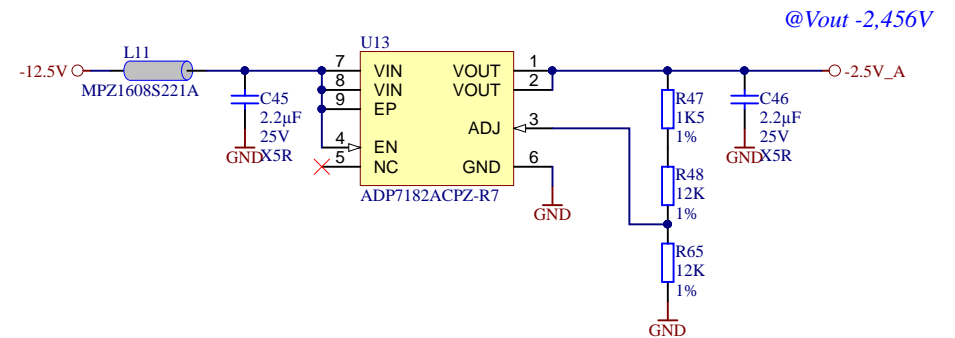


@Vout 12,66V

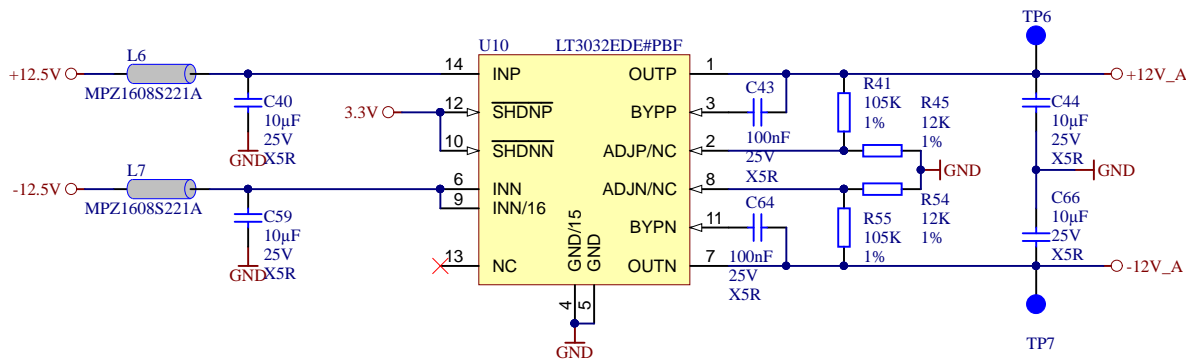
@Vout -12,71V



@Vout 6,960V

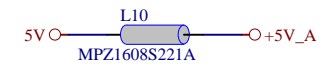


@Vout -2,456V

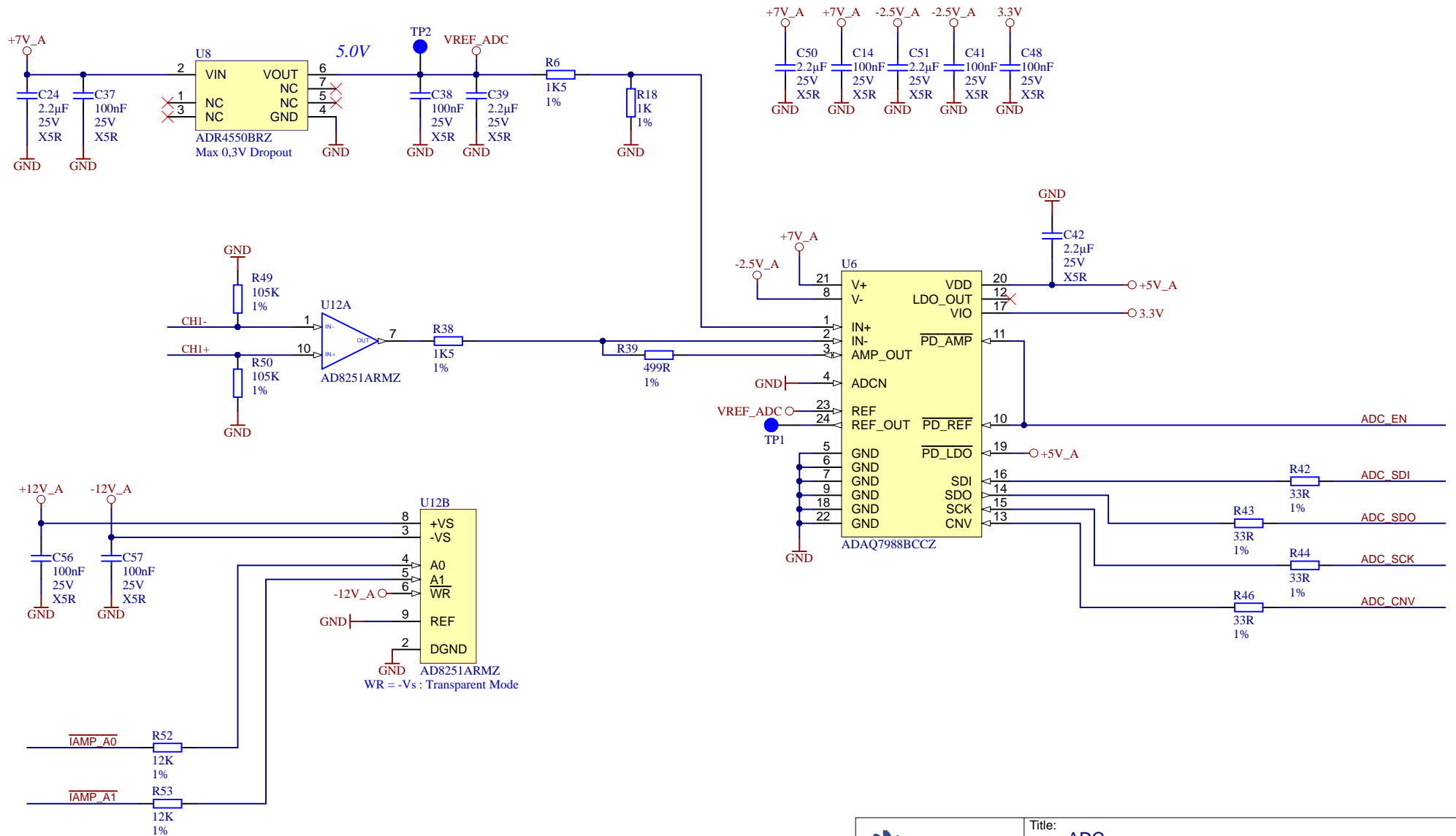


@Vout 11,895V

@Vout -11,895V

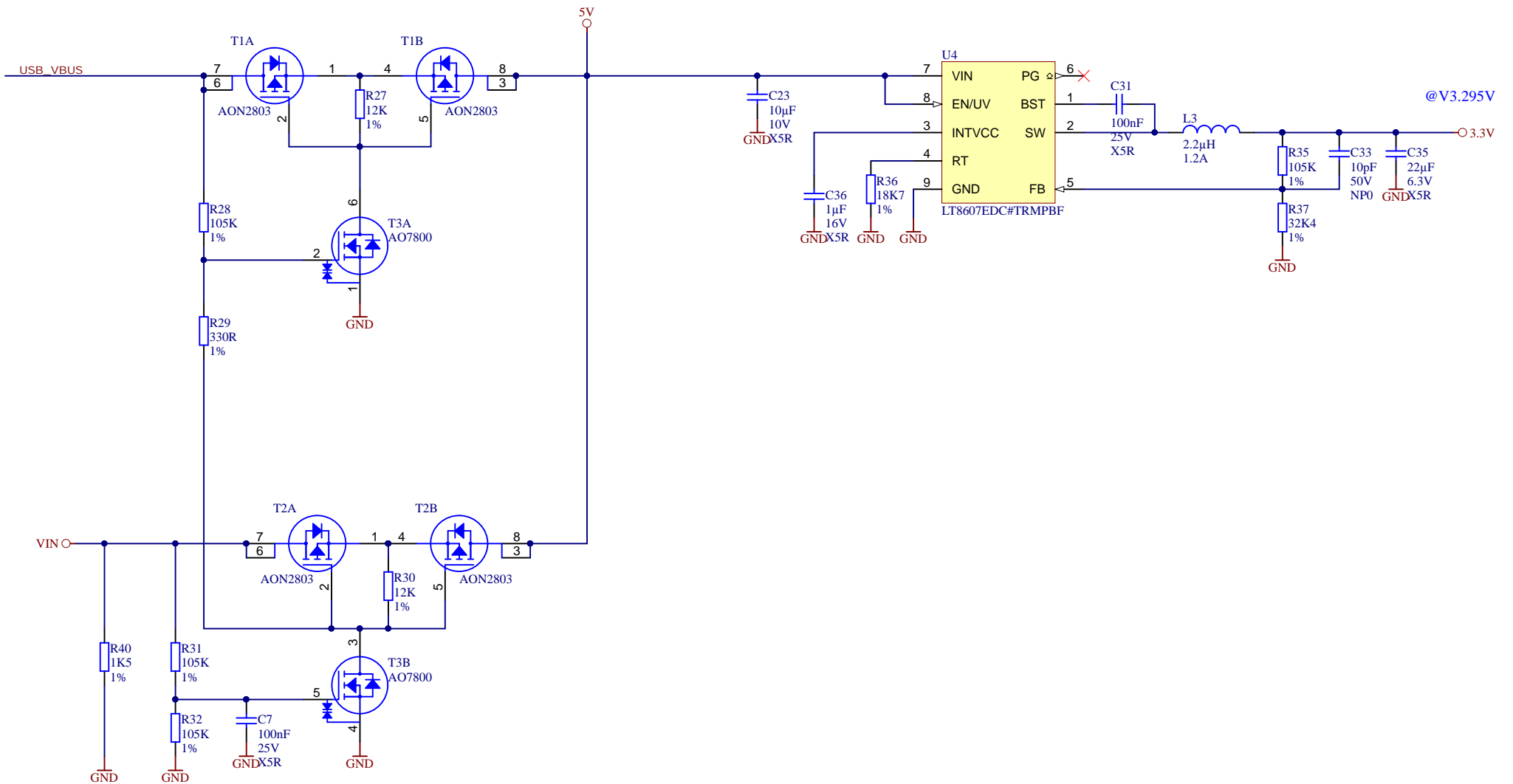


Title: Analog power		
A4	Number: TEI0016 08-C8A	Rev. 01
Date: 2019-02-06	Copyright: Trenz Electronic GmbH	Page 7 of 9
Filename: Analog_power.SchDoc		



Title: ADC		
A4	Number: TEI0016 08-C8A	Rev. 01
Date: 2019-02-06	Copyright: Trenz Electronic GmbH	Page 7 of 9
Filename: ADC.SchDoc		





Title: PowerSupply		
A4	Number: TEI0016 08-C8A	Rev. 01
Date: 2019-02-06	Copyright: Trenz Electronic GmbH	Page8 of 9
Filename: PowerSupply.SchDoc		

1

2

3

4

A

A

B

B

C

C

D

D



Title: <b>Revision Changes</b>		
A4	Number: <b>TEI0016 08-C8A</b>	Rev. <b>01</b>
Date: <b>2019-02-06</b>	Copyright: <b>Trenz Electronic GmbH</b>	Page <b>9</b> of <b>9</b>
Filename: <b>Revision_Changes.SchDoc</b>		

1

2

3

4