

1

2

3

4

U_A-Headers
A-Headers.SchDoc



U_FPGA
FPGA.SchDoc



U_ADC
ADC.SchDoc



U_FTDI
FTDI.SchDoc



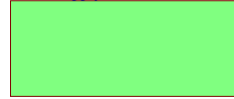
U_FPGA_MISC
FPGA_MISC.SchDoc



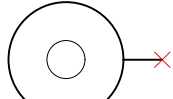
U_SENSOR_Flash_RAM
SENSOR_Flash_RAM.SchDoc



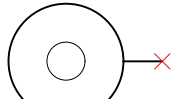
U_PowerSupply
PowerSupply.SchDoc



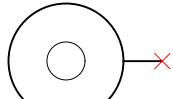
U_A_POWER
Analog_power.SchDoc



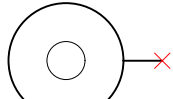
Mount.Hole 2mm (unplated)



Mount.Hole 2mm (unplated)



Mount.Hole 2mm (unplated)



Mount.Hole 2mm (unplated)



FIDU-DOT - mini



FIDU-DOT - mini



FIDU-DOT - mini



FIDU-DOT - mini



FIDU-DOT - mini



FIDU-DOT - mini

| | |
|------------------|------------|
| Assembly variant | 08-C8A |
| Created by | IG |
| Modified by | IG |
| Modified at | 2019-07-16 |
| SVN Revision | 11156 |

Serial
Serial
Serialnumber 6,3 x 6.3mm



| | | |
|--------------------------|----------------------------------|-------------|
| Title: TEI0016 | | |
| A4 | Number: TEI0016 08-C8A | Rev. 02 |
| Date: 2019-07-16 | Copyright: Trenz Electronic GmbH | Page1 of 10 |
| Filename: TEI0016.SchDoc | | |

1

2

3

4

A

A

B

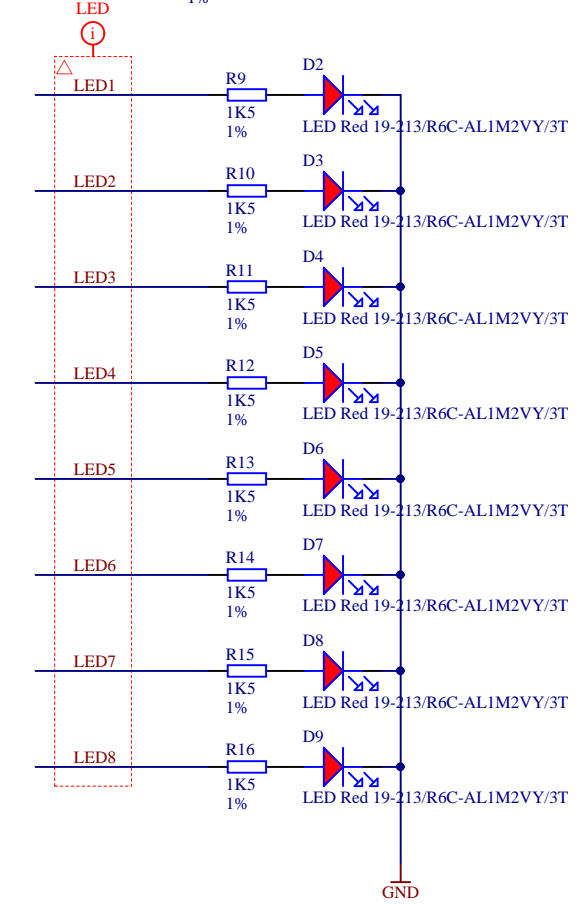
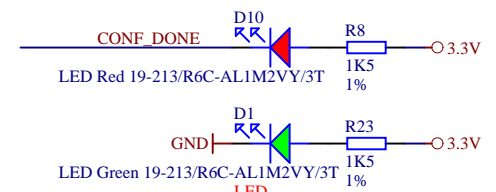
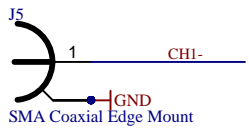
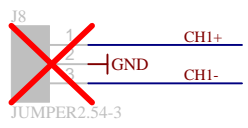
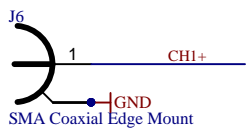
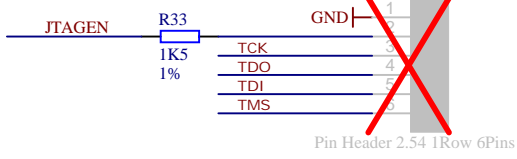
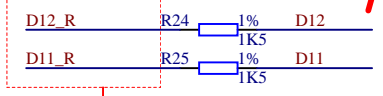
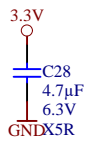
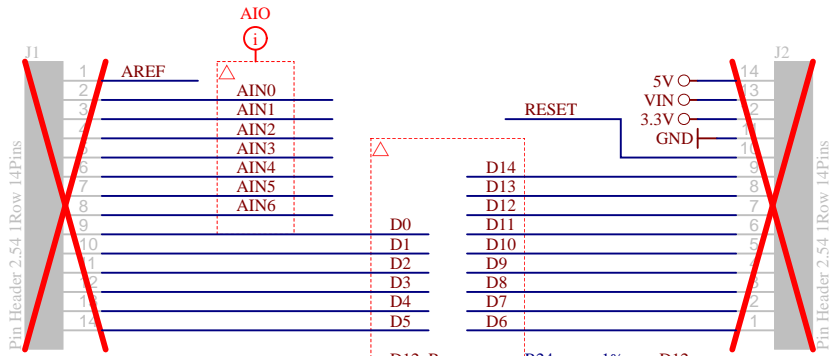
B

C

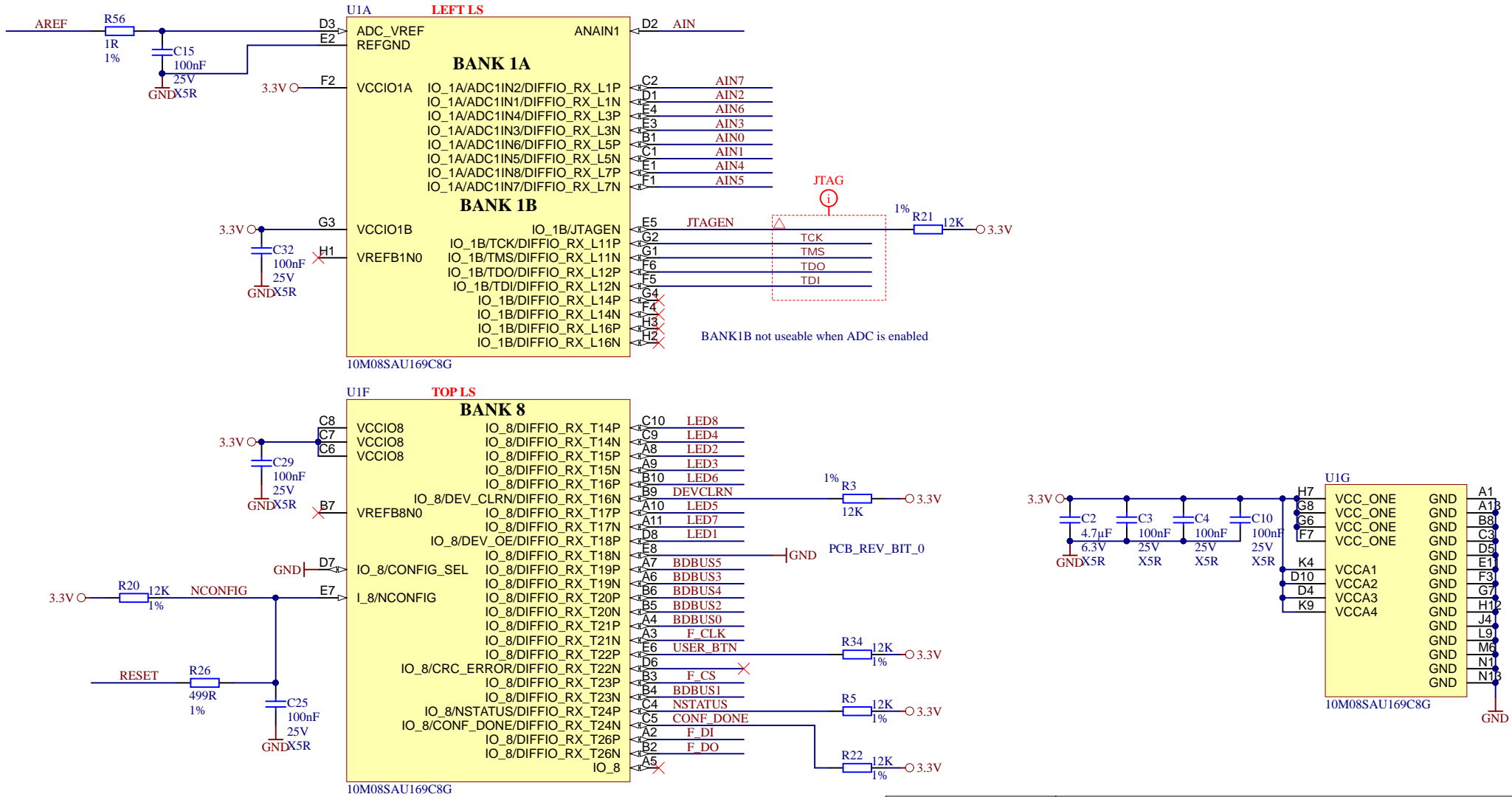
C

D

D



| | | |
|----------------------------|----------------------------------|-------------|
| Title: A-Headers | | |
| A4 | Number: TEI0016 08-C8A | Rev. 02 |
| Date: 2019-07-16 | Copyright: Trenz Electronic GmbH | Page2 of 10 |
| Filename: A-Headers.SchDoc | | |



| | | | |
|-----------------------------------|--|----------------------------------|-----------------------------------|
| | | Title: FPGA MISC | |
| | | A4 | Number: TEI0016 08-C8A |
| Date: 2019-07-16 | | Copyright: Trenz Electronic GmbH | |
| Page 3 | | of 10 | |
| Filename: FPGA_MISC.SchDoc | | | |

A

B

C

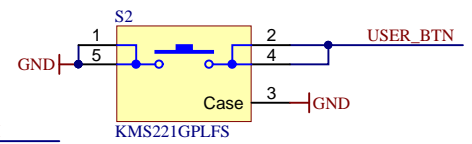
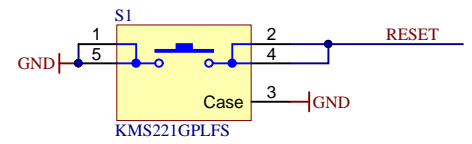
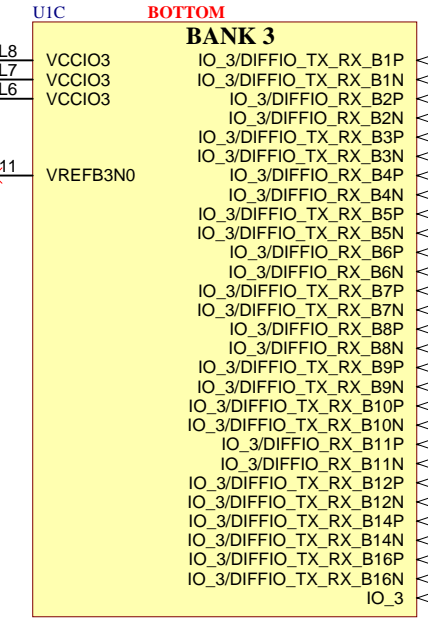
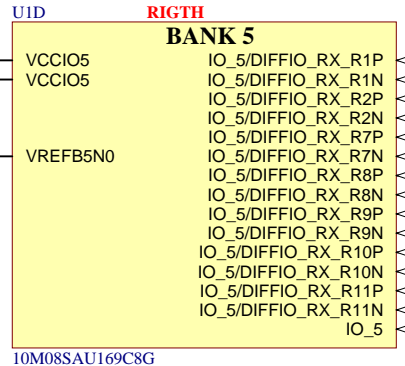
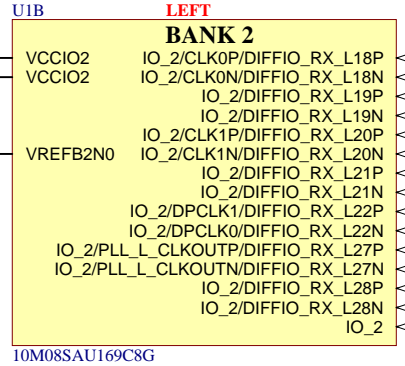
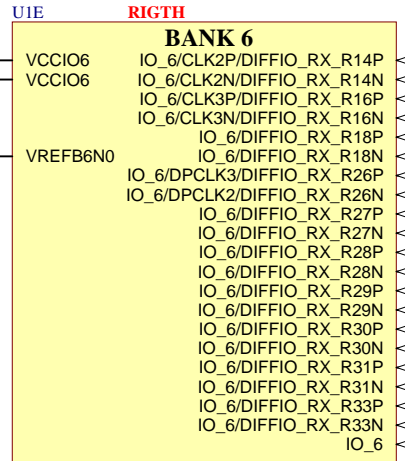
D

A

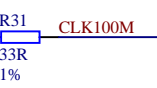
B

C

D



D11_R



| | | |
|------------------------------|---|----------------------------|
| Title: FPGA | | |
| A4 | Number: TEI0016 08-C8A | Rev. 02 |
| Date: 2019-07-16 | Copyright: Trenz Electronic GmbH | Page 4 of 10 |
| Filename: FPGA.SchDoc | | |

1

2

3

4

A

A

B

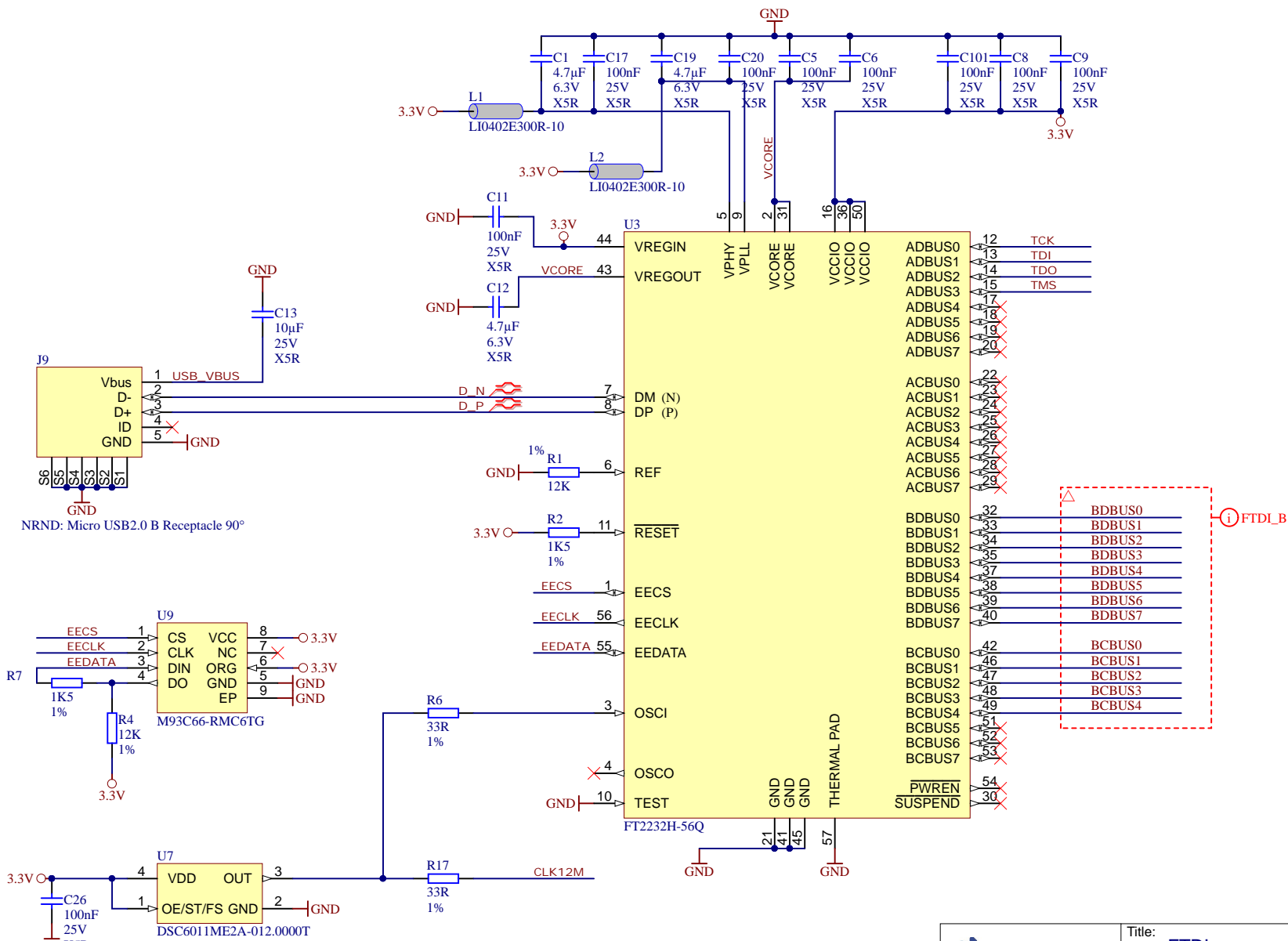
B


C

C

D

D



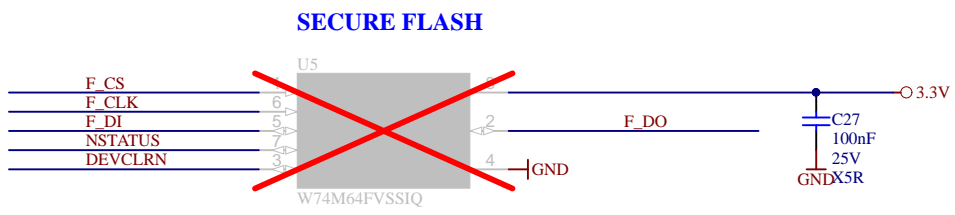
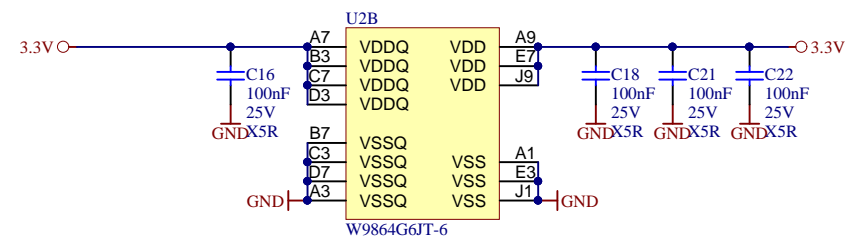
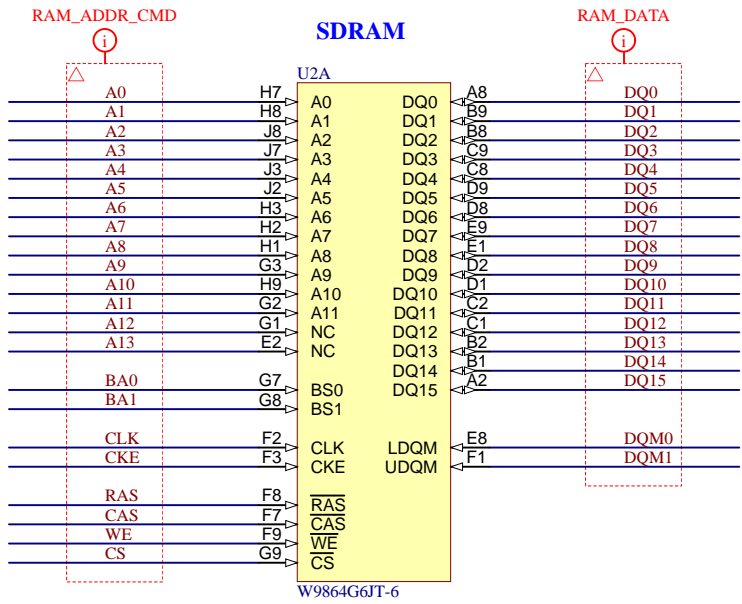
| | | | |
|---|--|----------------------------------|---------------------------|
|  | | Title: FTDI | |
| | | A4 | Number: TEI0016 08-C8A |
| Date: 2019-07-16 | | Copyright: Trenz Electronic GmbH | |
| Page 5 | | of 10 | |
| Filename: FTDI.SchDoc | | | |

1

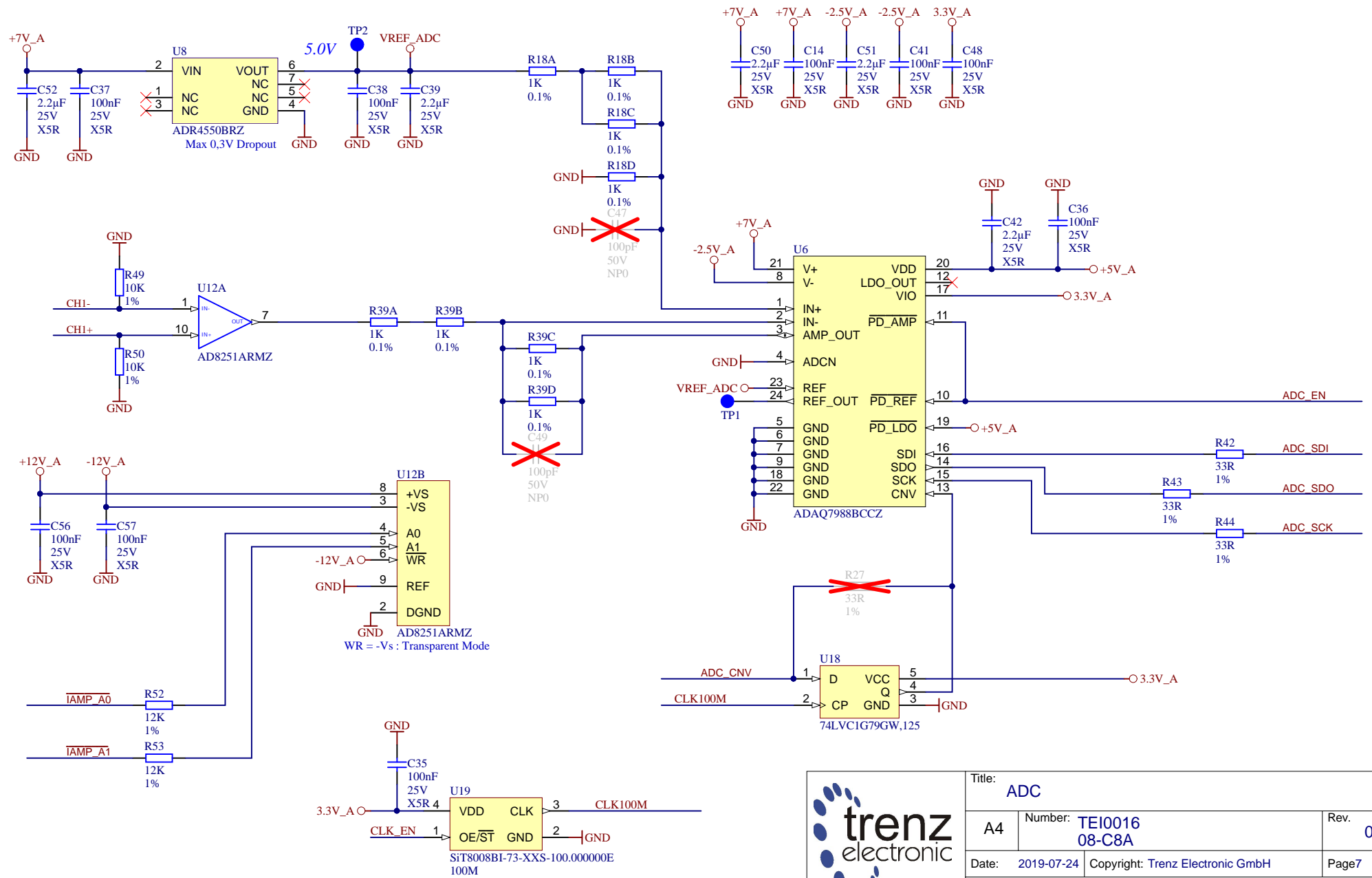
2


3

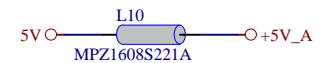
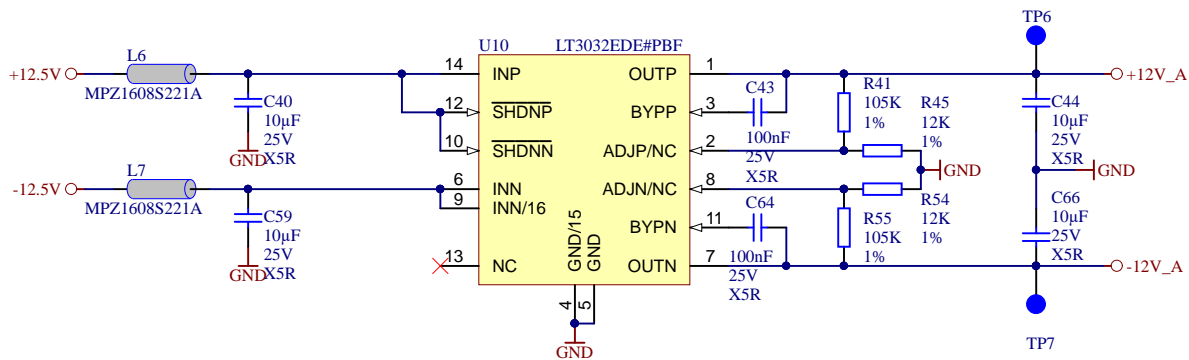
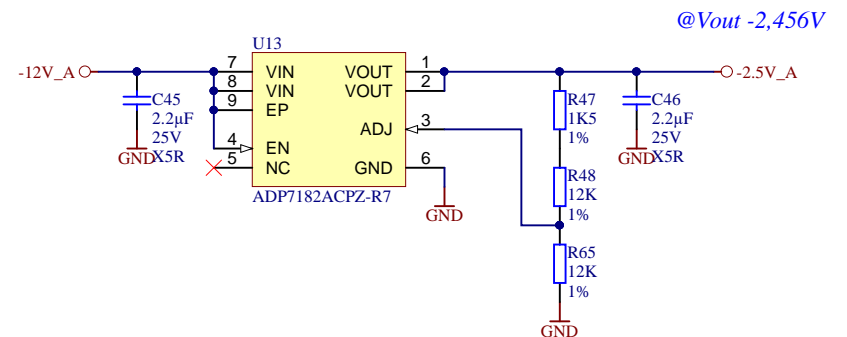
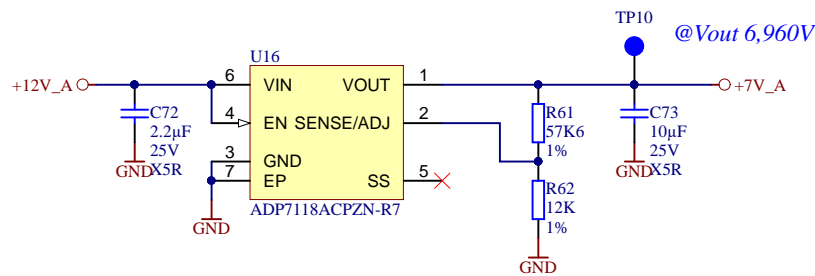
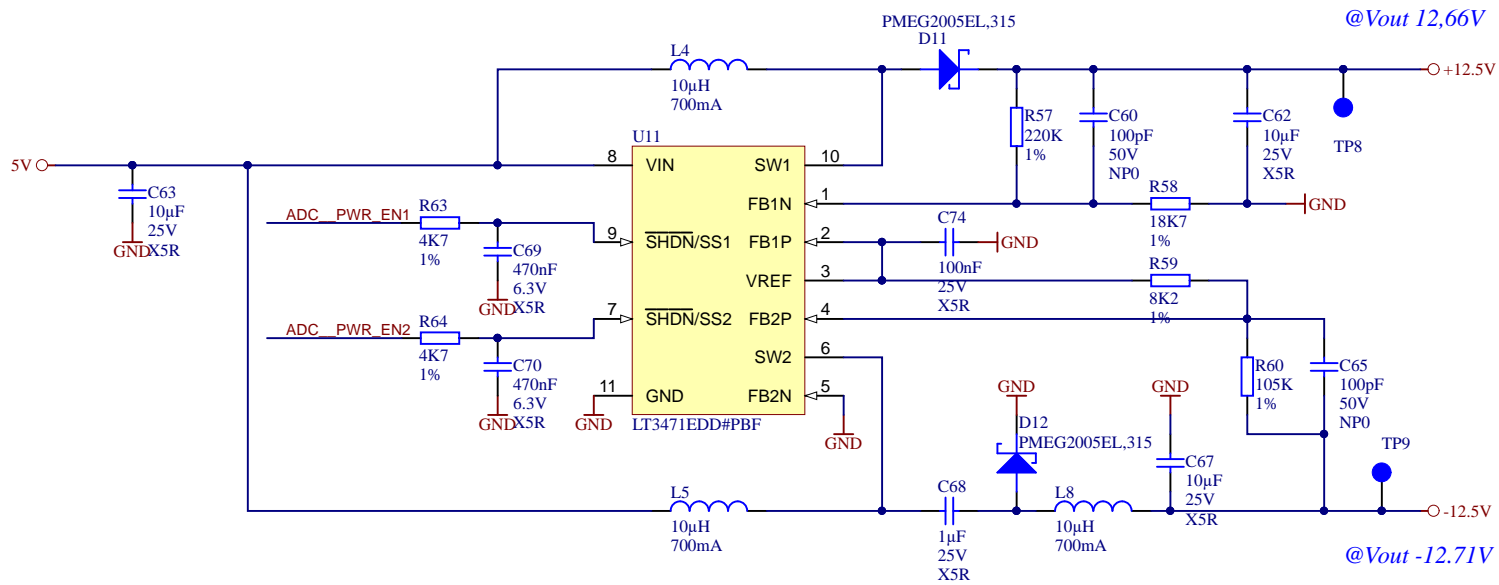
4




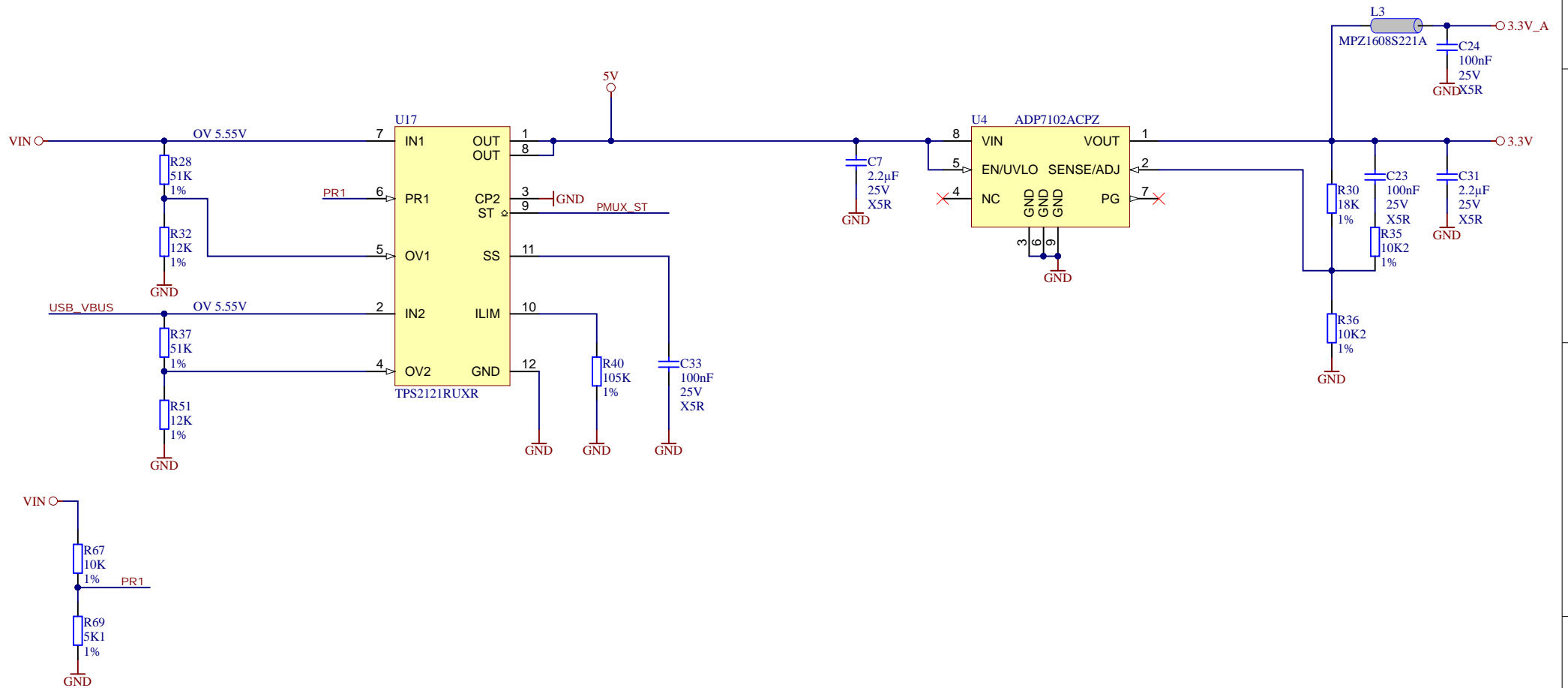
| | | | |
|--|--|---|----------------------------|
| | Title: SENSOR Flash RAM | | |
| | A4 | Number: TEI0016 08-C8A | Rev. 02 |
| | Date: 2019-07-24 | Copyright: Trenz Electronic GmbH | Page 6 of 10 |
| | Filename: SENSOR_Flash_RAM.SchDoc | | |




| | | | | |
|---|--|----------------------------------|------------|---------------------------|
|  | | | Title: ADC | |
| | | | A4 | Number: TEI0016 08-C8A |
| Date: 2019-07-24 | | Copyright: Trenz Electronic GmbH | | Page 7 of 10 |
| Filename: ADC.SchDoc | | | | |



| | | | | |
|---|--|----------------------------------|---------------------|------------------------|
|  | | | Title: Analog power | |
| | | | A4 | Number: TEI0016 08-C8A |
| Date: 2019-07-16 | | Copyright: Trenz Electronic GmbH | | Page8 of 10 |
| Filename: Analog_power.SchDoc | | | | |



| | | | |
|---|--|----------------------------------|---------------------------|
|  | | Title: PowerSupply | |
| | | A4 | Number: TEI0016 08-C8A |
| Date: 2019-07-16 | | Copyright: Trenz Electronic GmbH | |
| Filename: PowerSupply.SchDoc | | Page9 of 10 | |

1

2

3

4

Revision 02:

- 1) VY: Replaced inductors L4, L5, L8 to 10µH L0603B100MDWFT
- 2) VY: Replaced diodes D11, D12 to PMEG2005EL,315
- 3) VY: Revised U6 gain circuit (R38, R39)
- 4) VY: Revised U6 reference voltage divider (R18)
- 5) ED: Deleted T1A, T1B, T2A, T2B, T3A, T3B, R27, R28, R29, R30, R31, R32, R40 and C7
- 6) ED: Inserted power mux (U17) instead
- 7) ED: Changed U4 to LDO (ADP7102ACPZ)
- 8) ED: Inserted D-Flipflop (U18)
- 9) ED: Inserted oscillator (U19)
- 10) ED: Replaced inductors L4, L5, L8 to 10 µH MLP2520S100ST0S1
- 11) ED: Changed SMA connectors
- 12) ED Changed U1 SHDN#/SS1, SHDN#/SS2 connections

A

A

B


B

C

C

D

D

| | | | |
|---|--|---|-----------------------------|
|  | Title: Revision Changes | | |
| | A4 | Number: TEI0016 08-C8A | Rev. 02 |
| | Date: 2019-07-16 | Copyright: Trenz Electronic GmbH | Page 10 of 10 |
| | Filename: Revision_Changes.SchDoc | | |

1

2

3

4