

1

2

3

4

A

A

B

B

C

C

D

D

U_A-Headers
A-Headers.SchDoc

U_FPGA
FPGA.SchDoc

U_ADC
ADC.SchDoc

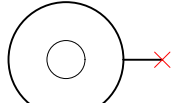
U_FTDI
FTDI.SchDoc

U_FPGA_MISC
FPGA_MISC.SchDoc

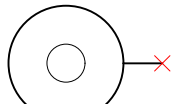
U_SENSOR_Flash_RAM
SENSOR_Flash_RAM.SchDoc

U_PowerSupply
PowerSupply.SchDoc

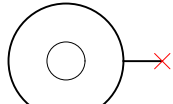
U_A_POWER
Analog_power.SchDoc



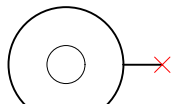
Mount.Hole 2mm (unplated)



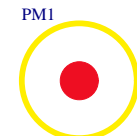
Mount.Hole 2mm (unplated)



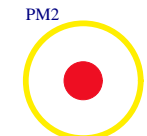
Mount.Hole 2mm (unplated)



Mount.Hole 2mm (unplated)



FIDU-DOT - mini



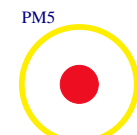
FIDU-DOT - mini



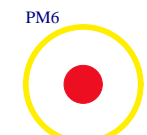
FIDU-DOT - mini



FIDU-DOT - mini



FIDU-DOT - mini



FIDU-DOT - mini

Assembly variant	08-C8A
Created by	IG
Modified by	VT
Modified at	2019-07-26
SVN Revision	11310

Serial
Serial
Serialnumber 6,3 x 6.3mm



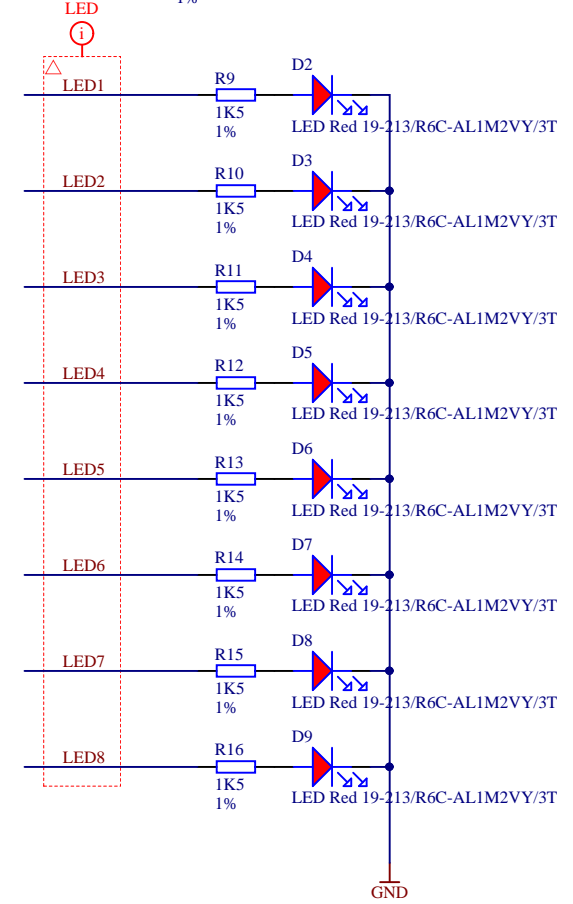
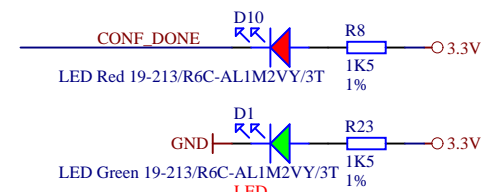
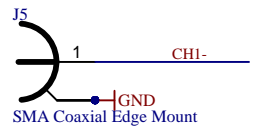
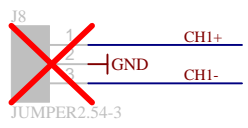
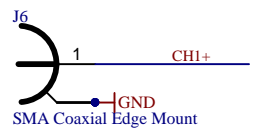
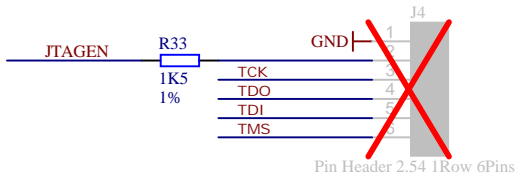
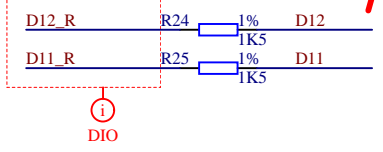
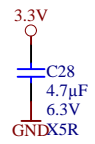
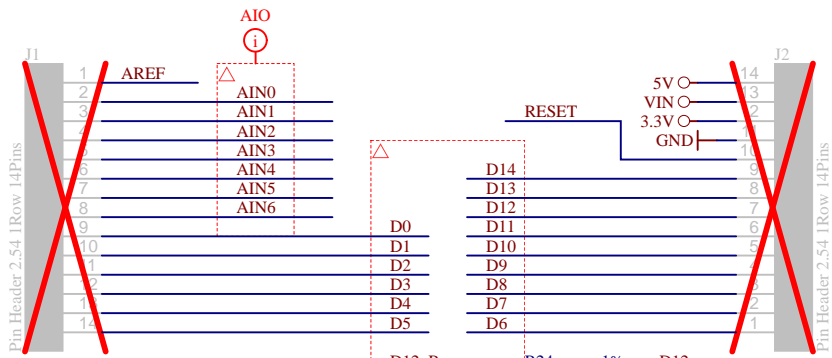
Title: TEI0016		
A4	Number: TEI0016 08-C8A	Rev. 03
Date: 2019-07-26	Copyright: Trenz Electronic GmbH	Page1 of 10
Filename: TEI0016.SchDoc		

1

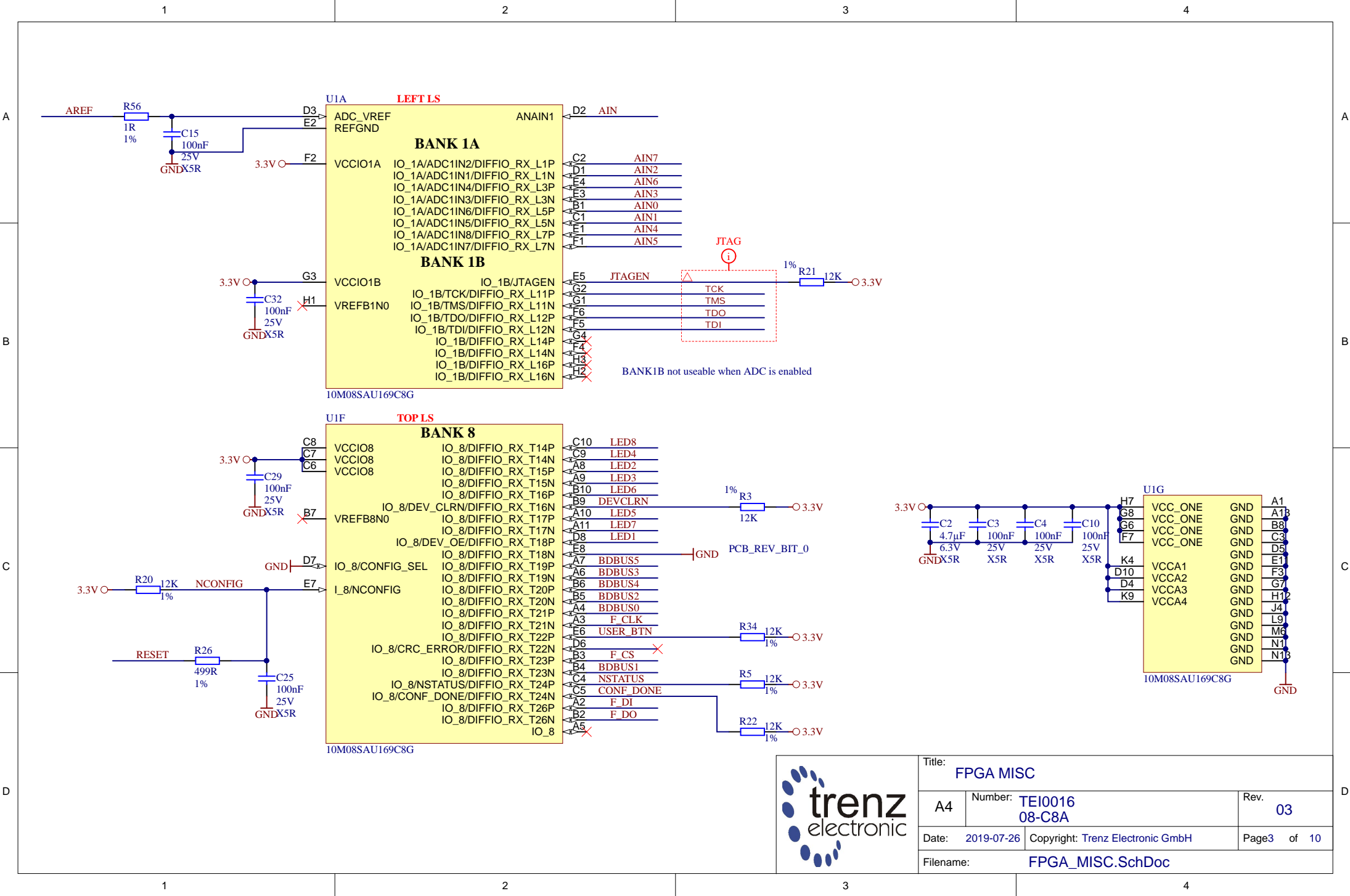
2

3

4



Title: A-Headers		
A4	Number: TEI0016 08-C8A	Rev. 03
Date: 2019-07-26	Copyright: Trenz Electronic GmbH	Page2 of 10
Filename: A-Headers.SchDoc		



Title: FPGA MISC		
A4	Number: TEI0016 08-C8A	Rev. 03
Date: 2019-07-26	Copyright: Trenz Electronic GmbH	
Page 3 of 10		
Filename: FPGA_MISC.SchDoc		

A

B

C

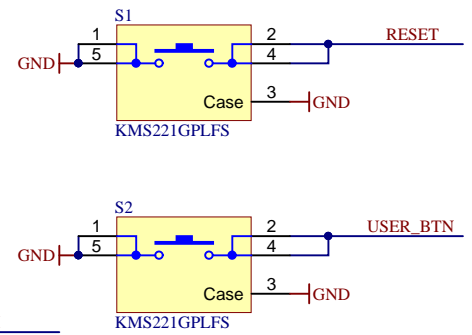
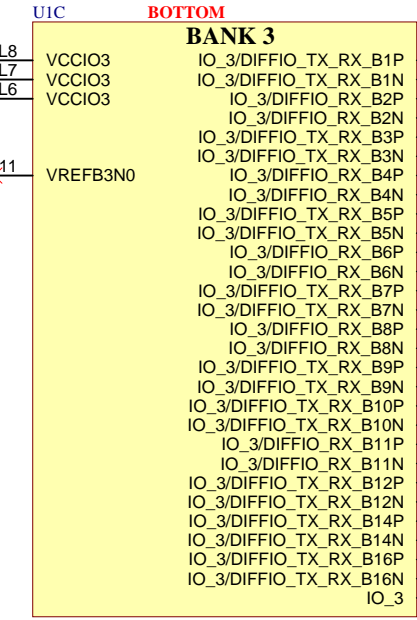
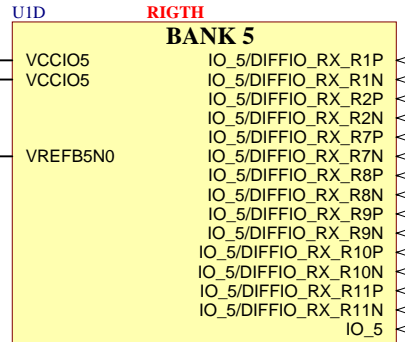
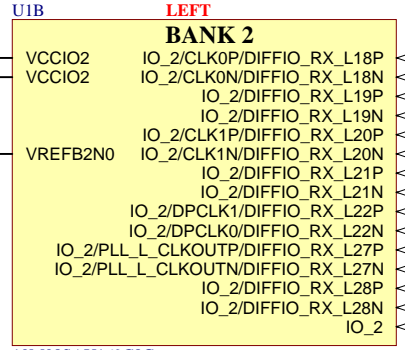
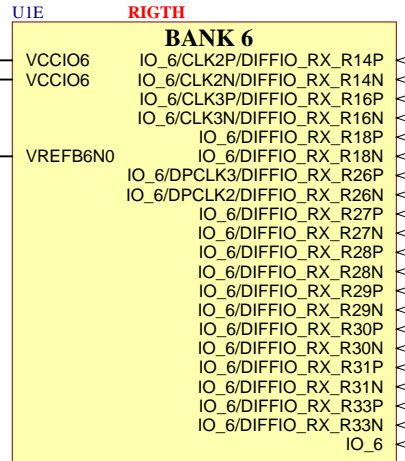
D

A

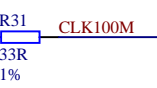
B

C

D



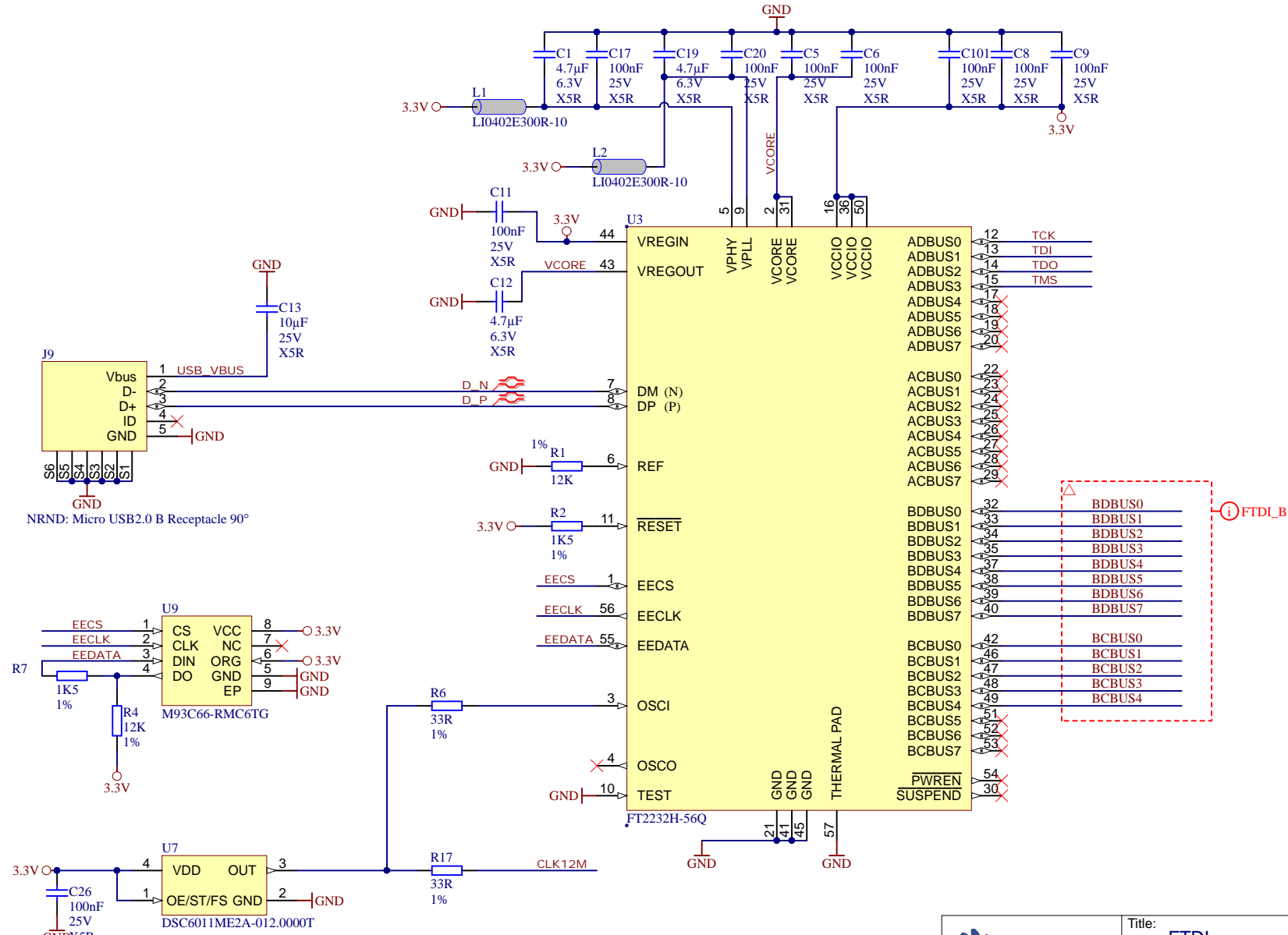
D11_R



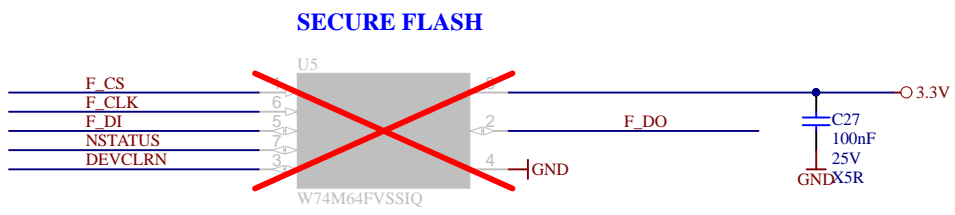
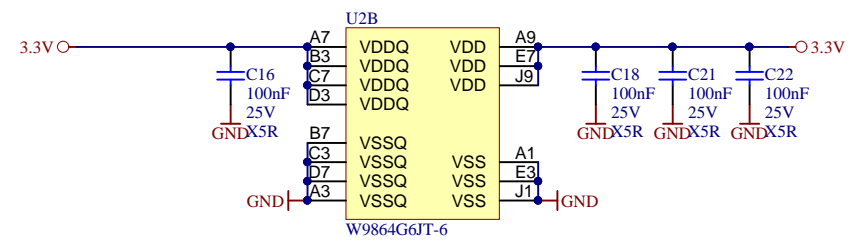
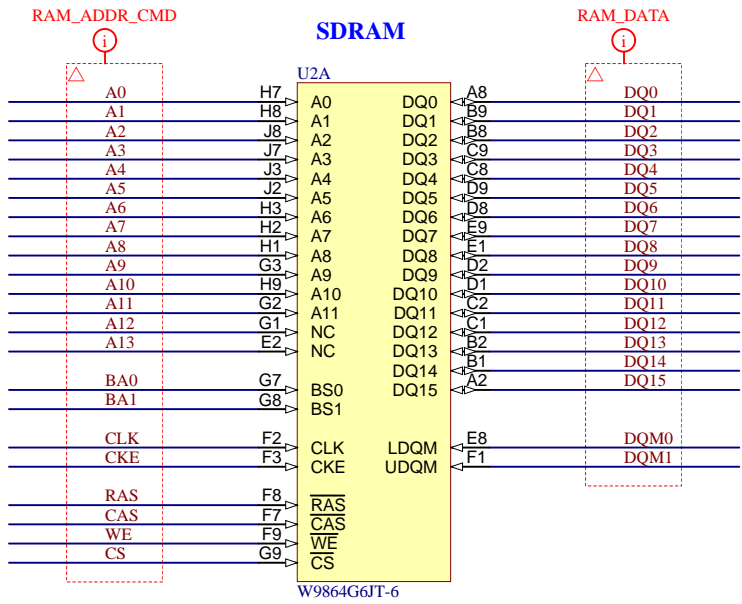
ADC_PWR_EN2



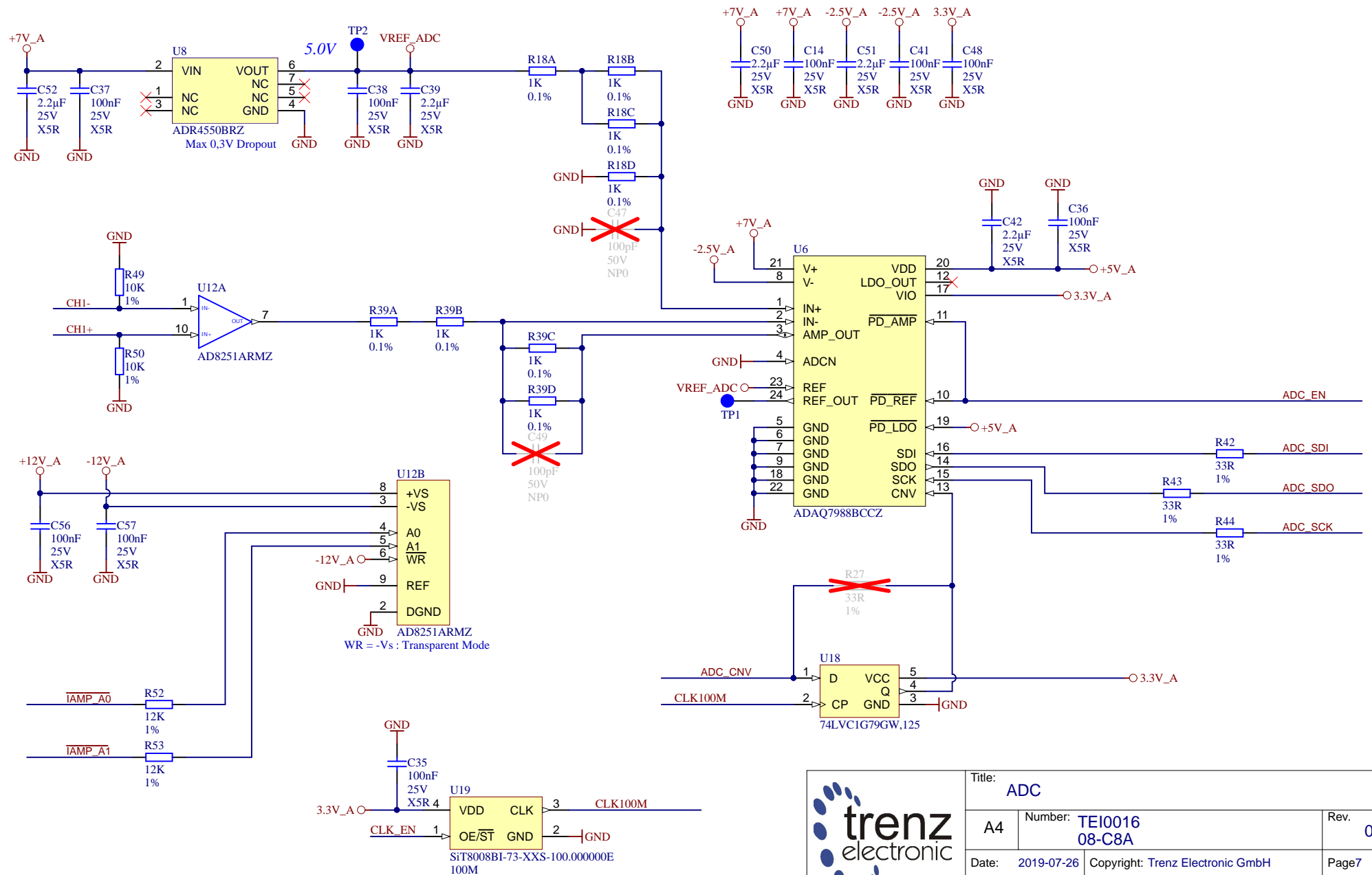
Title: FPGA		
A4	Number: TEI0016 08-C8A	Rev. 03
Date: 2019-07-26	Copyright: Trenz Electronic GmbH	Page 4 of 10
Filename: FPGA.SchDoc		




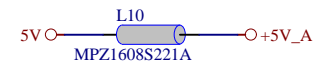
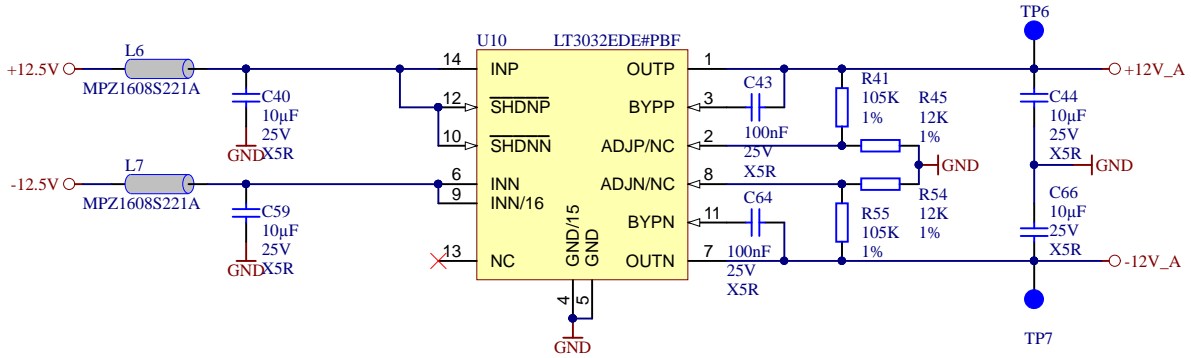
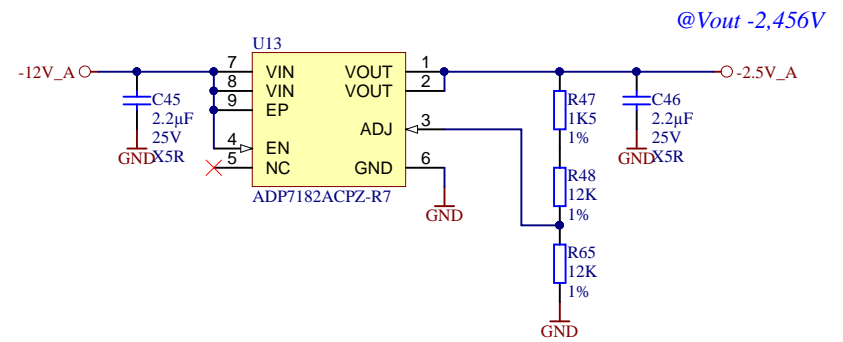
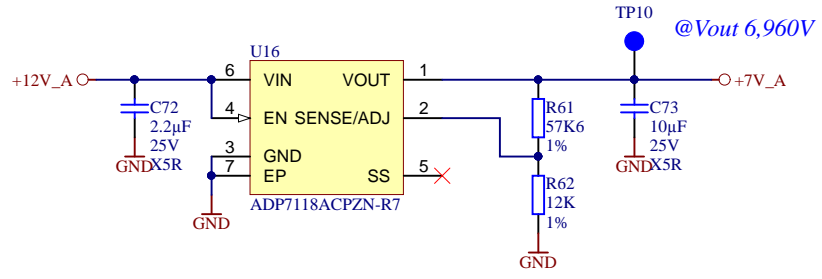
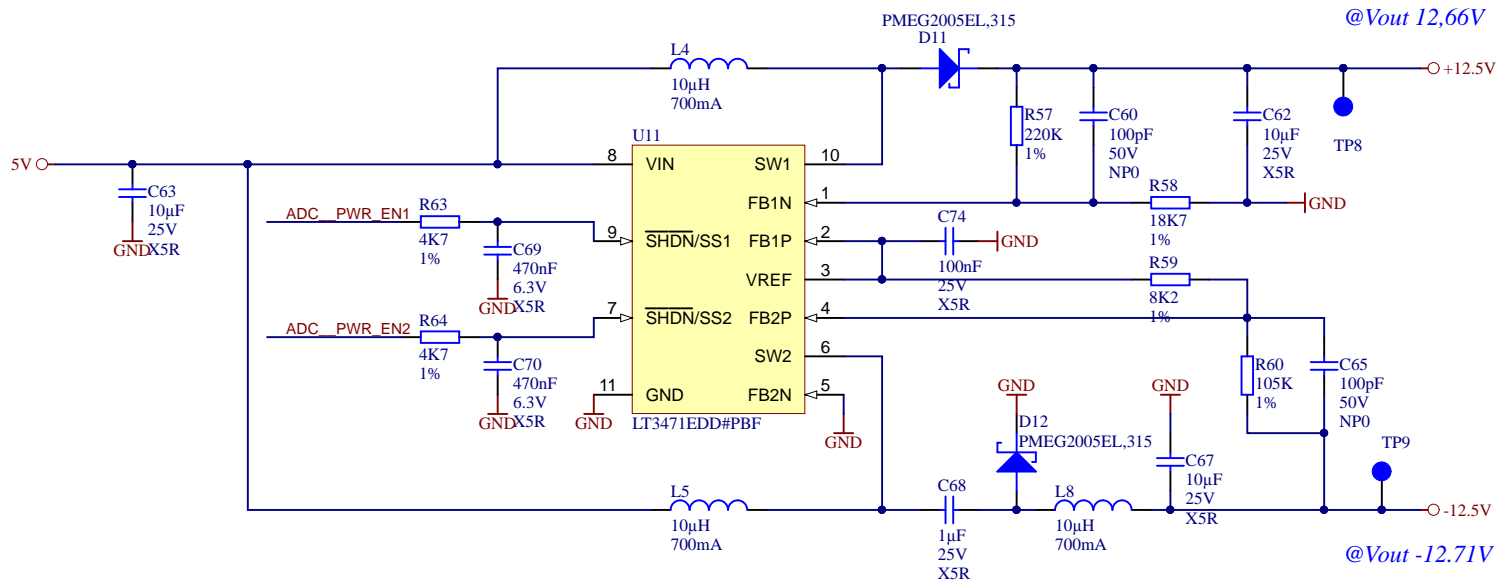
Title: FTDI		
A4	Number: TEI0016 08-C8A	Rev. 03
Date: 2019-07-26	Copyright: Trenz Electronic GmbH	Page 5 of 10
Filename: FTDI.SchDoc		



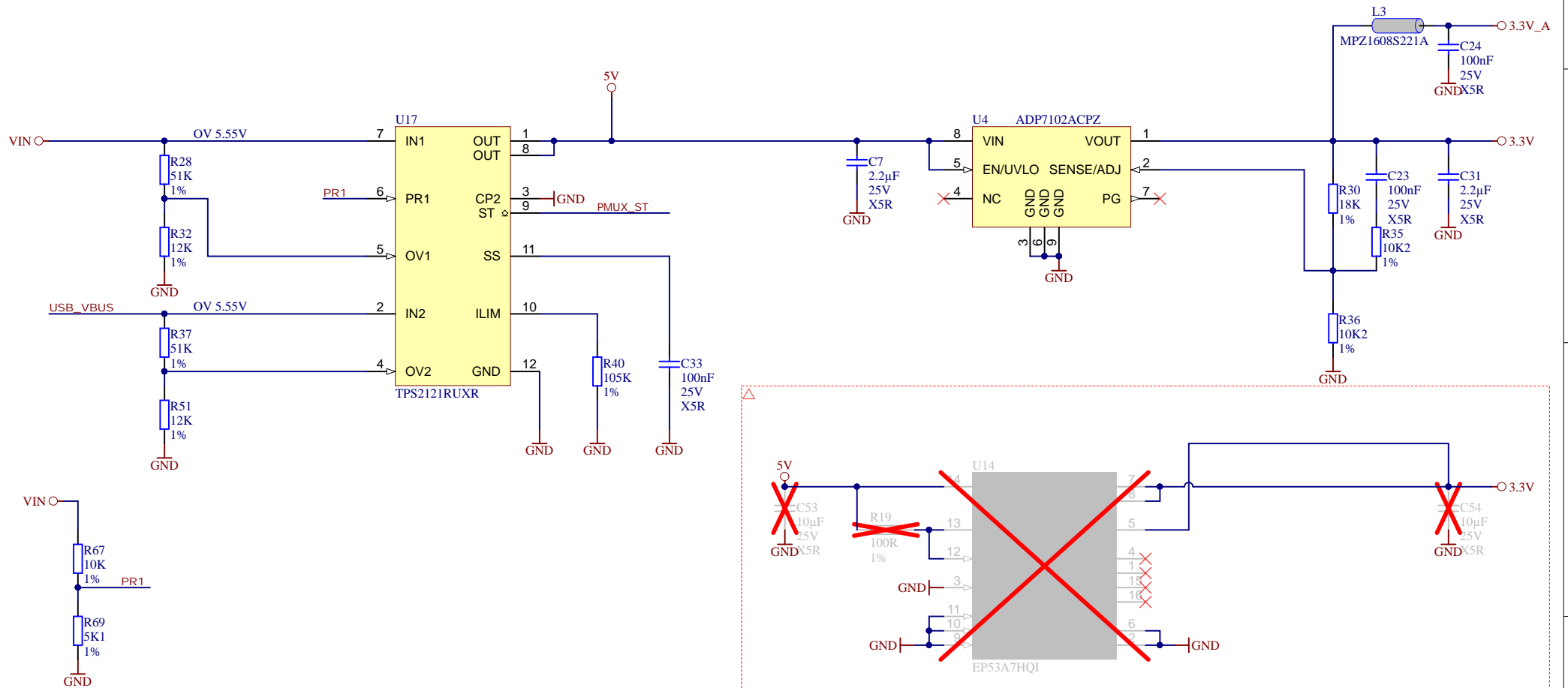
	Title: SENSOR Flash RAM		
	A4	Number: TEI0016 08-C8A	Rev. 03
	Date: 2019-07-26	Copyright: Trenz Electronic GmbH	Page 6 of 10
	Filename: SENSOR_Flash_RAM.SchDoc		




			Title: ADC	
			A4	Number: TEI0016 08-C8A
Date: 2019-07-26		Copyright: Trenz Electronic GmbH		Page 7 of 10
Filename: ADC.SchDoc				



Title: Analog power		
A4	Number: TEI0016 08-C8A	Rev. 03
Date: 2019-07-26	Copyright: Trenz Electronic GmbH	Page8 of 10
Filename: Analog_power.SchDoc		



	Title: PowerSupply	
	A4	Number: TEI0016 08-C8A
	Date: 2019-07-26	Copyright: Trenz Electronic GmbH
	Filename: PowerSupply.SchDoc	Rev. 03
		Page 9 of 10

1

2

3


4

Revision 02:

- 1) VY: Replaced inductors L4, L5, L8 to 10µH L0603B100MDWFT
- 2) VY: Replaced diodes D11, D12 to PMEG2005EL,315
- 3) VY: Revised U6 gain circuit (R38, R39)
- 4) VY: Revised U6 reference voltage divider (R18)
- 5) ED: Deleted T1A, T1B, T2A, T2B, T3A, T3B, R27, R28, R29, R30, R31, R32, R40 and C7
- 6) ED: Inserted power mux (U17) instead
- 7) ED: Changed U4 to LDO (ADP7102ACPZ)
- 8) ED: Inserted D-Flipflop (U18)
- 9) ED: Inserted oscillator (U19)
- 10) ED: Replaced inductors L4, L5, L8 to 10 µH MLP2520S100ST0S1
- 11) ED: Changed SMA connectors
- 12) ED Changed U1 SHDN#/SS1, SHDN#/SS2 connections

Revision 03:

- 1) VT: Added optional DCDC (U14, C53,C54,R19)

	Title: Revision Changes		
	A4	Number: TEI0016 08-C8A	Rev. 03
	Date: 2019-07-26	Copyright: Trenz Electronic GmbH	Page 10 of 10
	Filename: Revision_Changes.SchDoc		

1

2

3

4