

1

2

3

4

U\_A-Headers  
A-Headers.SchDoc



U\_FPGA  
FPGA.SchDoc



U\_ADC  
ADC.SchDoc



U\_FTDI  
FTDI.SchDoc



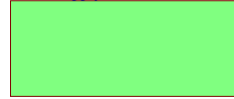
U\_FPGA\_MISC  
FPGA\_MISC.SchDoc



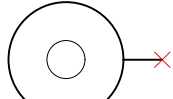
U\_SENSOR\_Flash\_RAM  
SENSOR\_Flash\_RAM.SchDoc



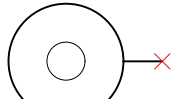
U\_PowerSupply  
PowerSupply.SchDoc



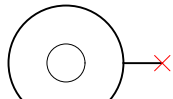
U\_A\_POWER  
Analog\_power.SchDoc



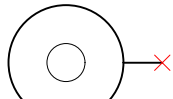
Mount.Hole 2mm (unplated)



Mount.Hole 2mm (unplated)



Mount.Hole 2mm (unplated)



Mount.Hole 2mm (unplated)



FIDU-DOT - mini



FIDU-DOT - mini



FIDU-DOT - mini



FIDU-DOT - mini



FIDU-DOT - mini



FIDU-DOT - mini

Assembly variant	08-C8B
Created by	VY
Modified by	VY
Modified at	2019-08-02
SVN Revision	11460

Serial  
Serial  
Serialnumber 6,3 x 6.3mm



Title: TEI0016		
A4	Number: TEI0016 08-C8B	Rev. 03
Date: 2019-07-26	Copyright: Trenz Electronic GmbH	Page1 of 10
Filename: TEI0016.SchDoc		

1

2

3

4

A

A

B

B

C

C

D

D

1

2

3

4

A

A

B

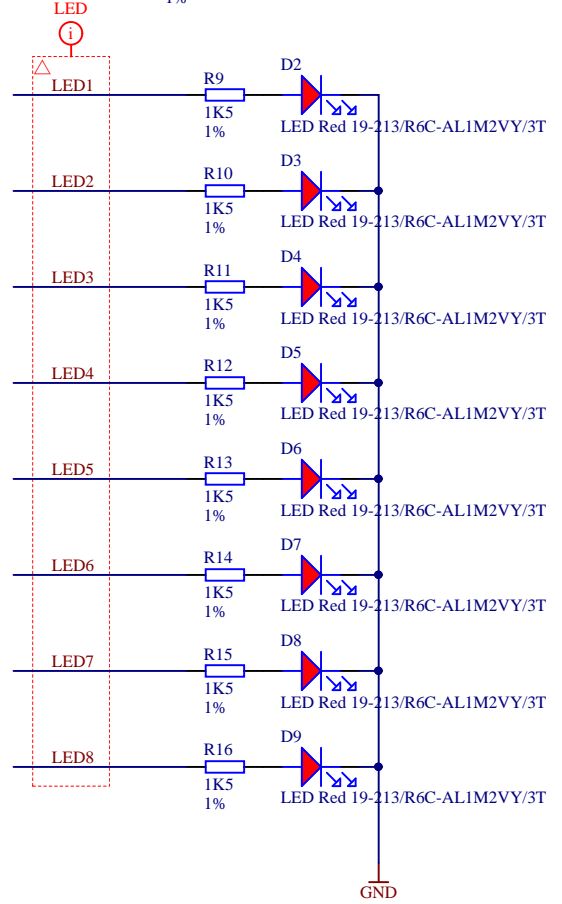
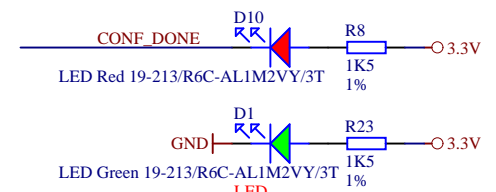
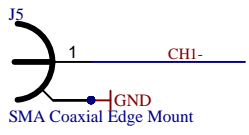
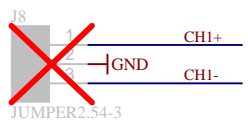
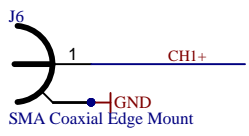
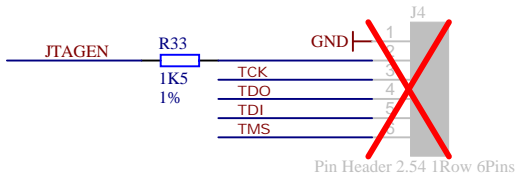
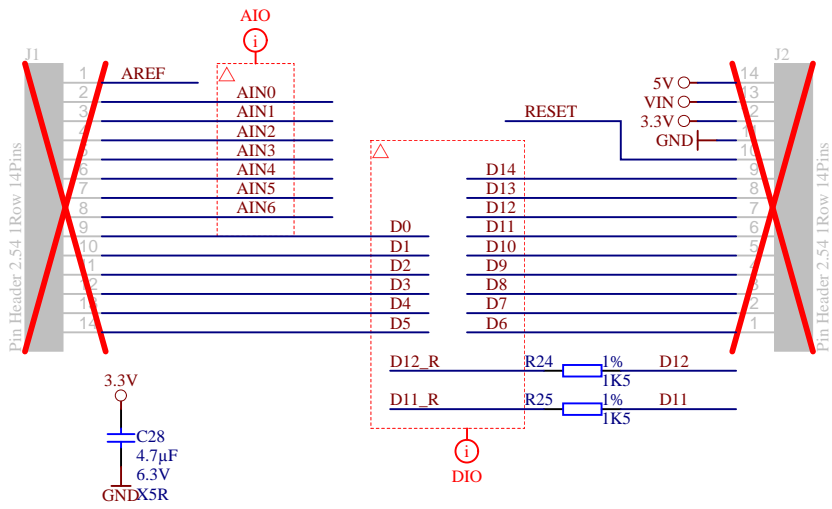
B

C

C

D

D



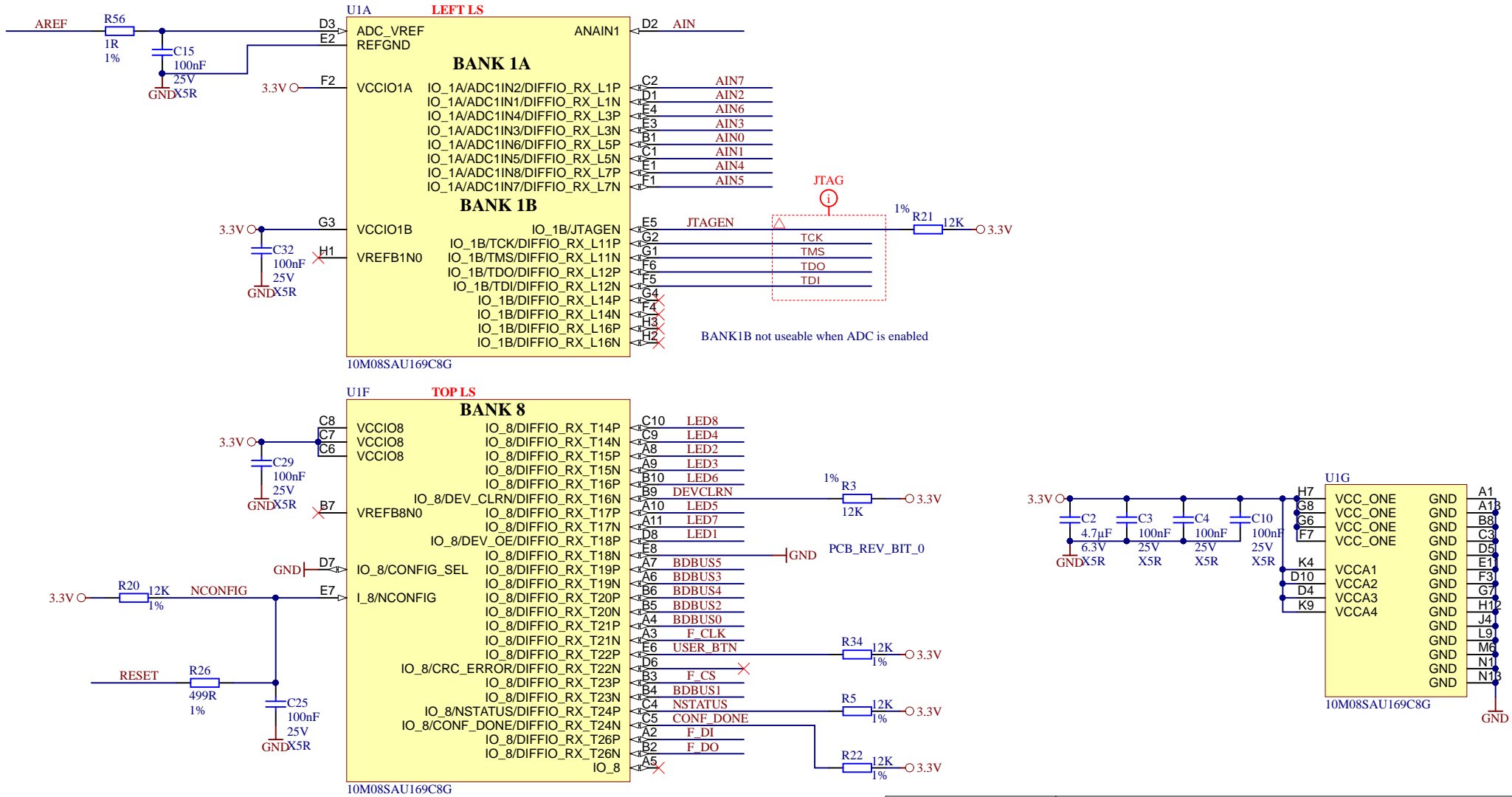
Title: A-Headers		
A4	Number: TEI0016 08-C8B	Rev. 03
Date: 2019-07-26	Copyright: Trenz Electronic GmbH	Page2 of 10
Filename: A-Headers.SchDoc		

1

2

3

4



		Title: <b>FPGA MISC</b>	
		A4	Number: <b>TEI0016 08-C8B</b>
Date: 2019-07-26		Copyright: Trenz Electronic GmbH	
Page 3		of 10	
Filename: <b>FPGA_MISC.SchDoc</b>			

A

B

C

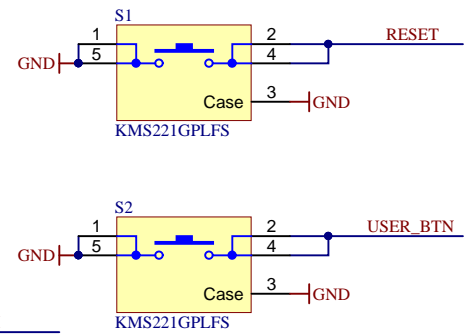
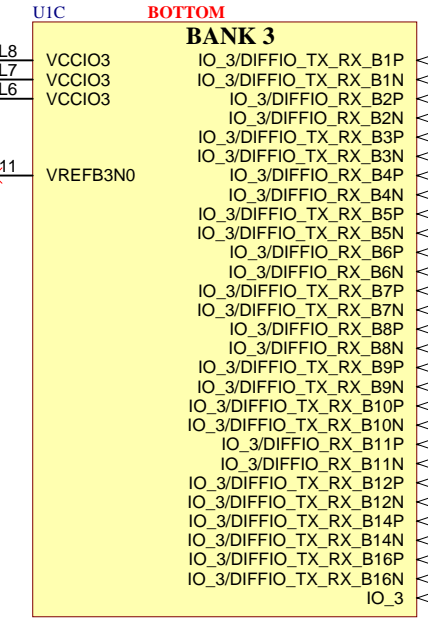
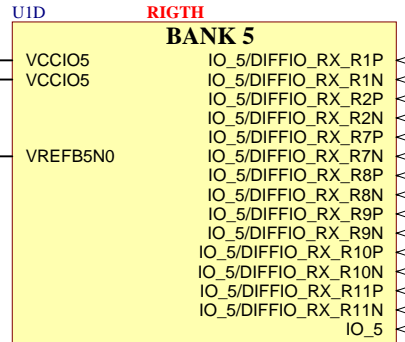
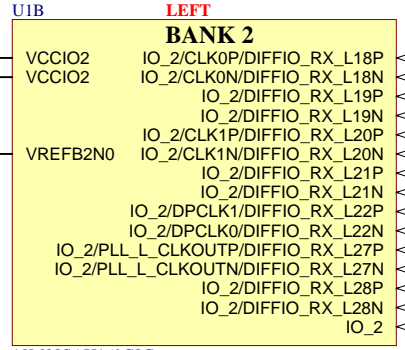
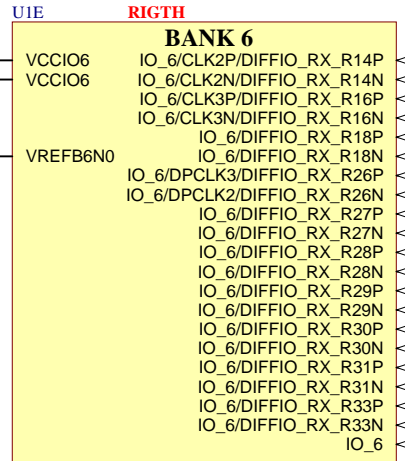
D

A

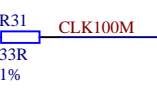
B

C

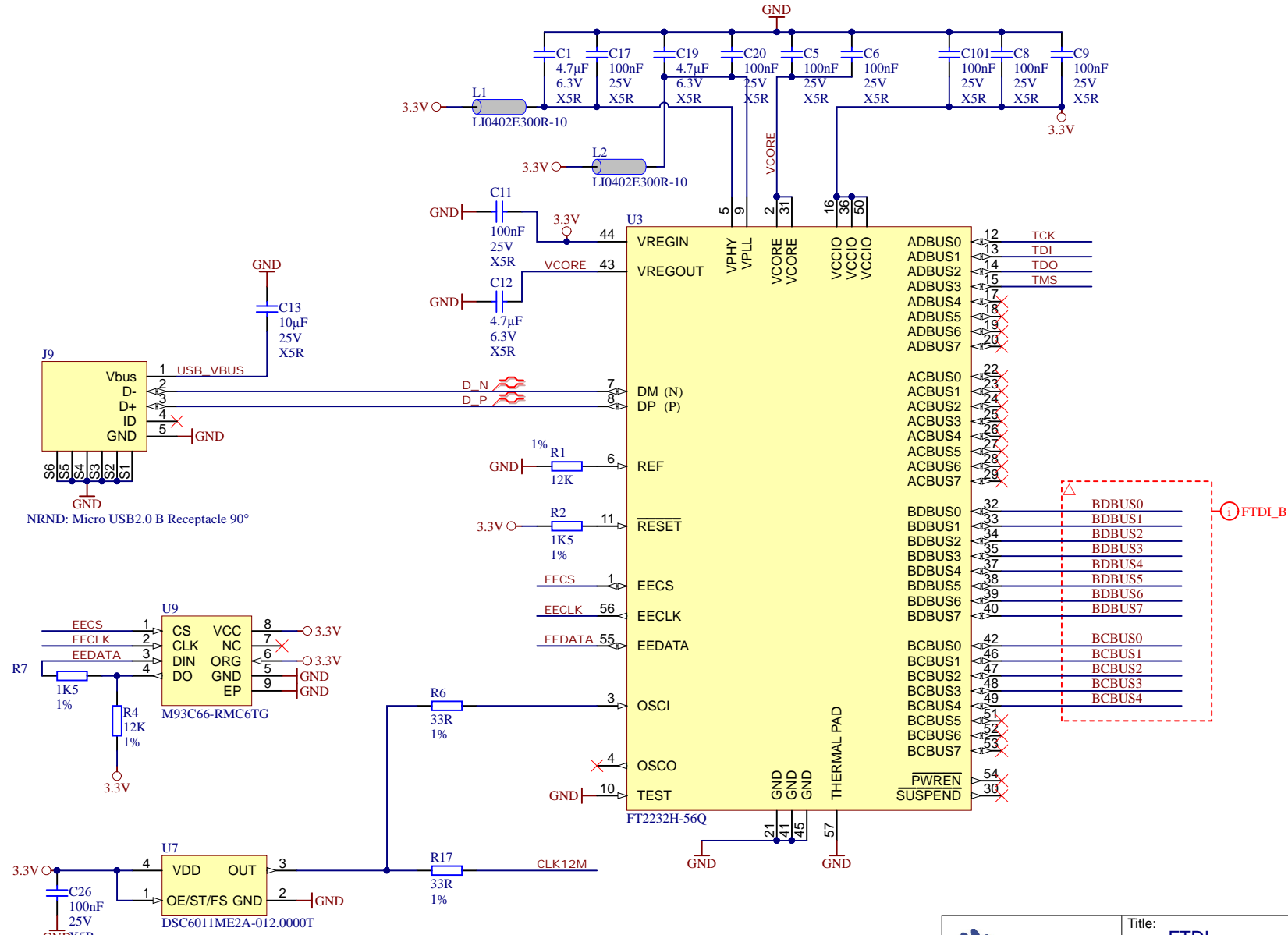
D



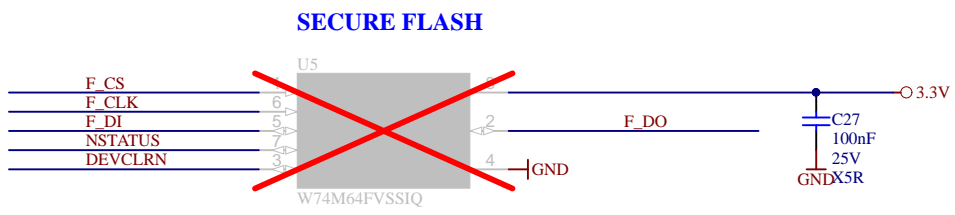
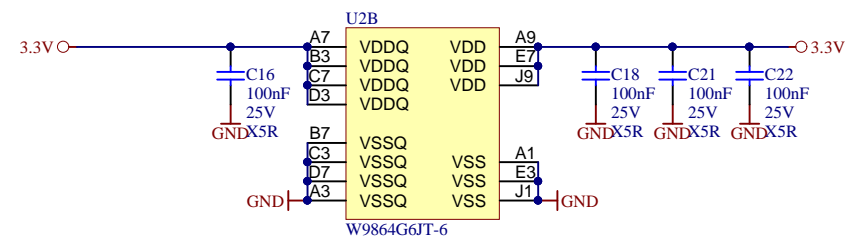
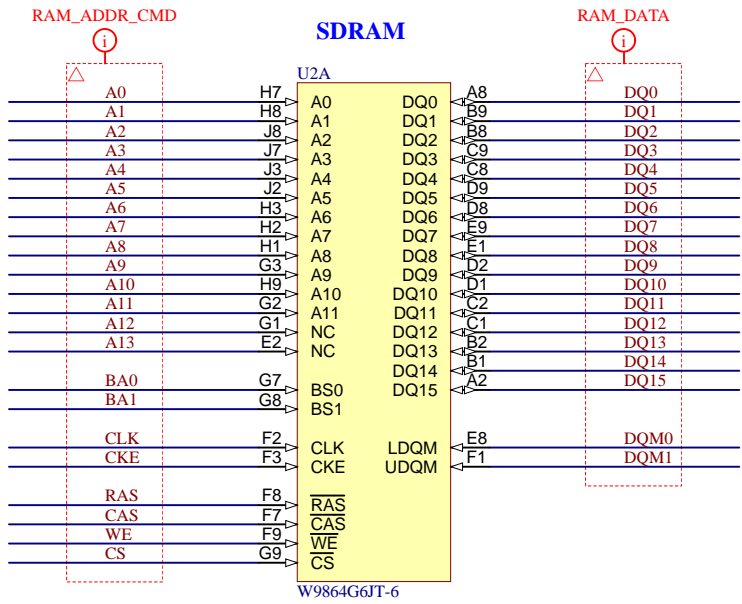
D11\_R




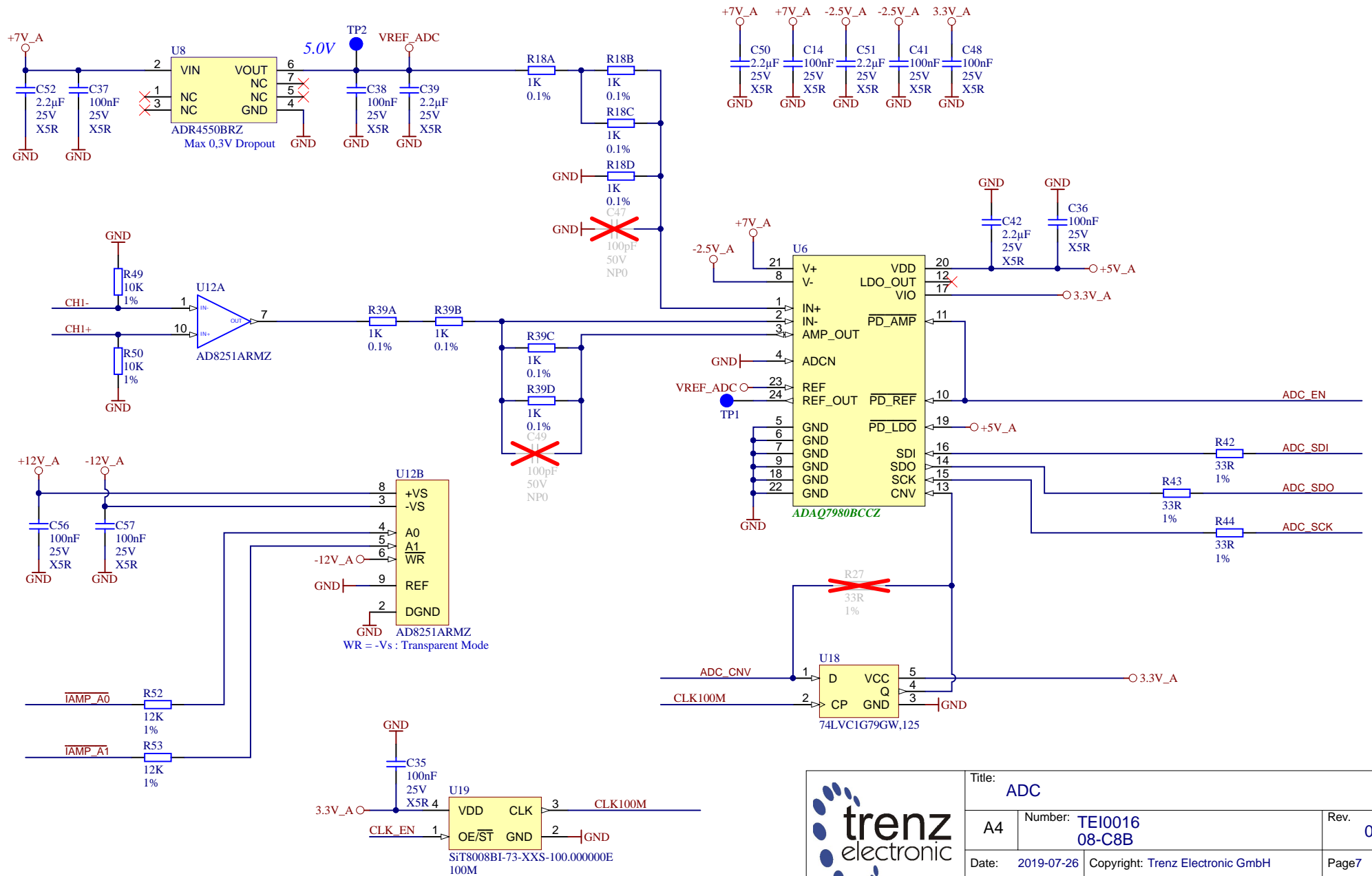
Title: <b>FPGA</b>		
A4	Number: <b>TEI0016 08-C8B</b>	Rev. <b>03</b>
Date: <b>2019-07-26</b>	Copyright: <b>Trenz Electronic GmbH</b>	Page <b>4</b> of <b>10</b>
Filename: <b>FPGA.SchDoc</b>		




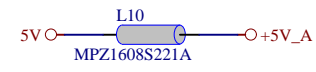
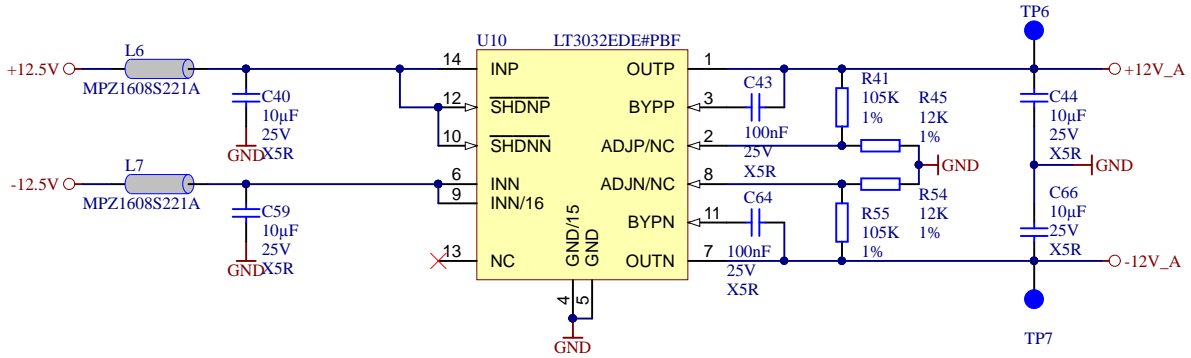
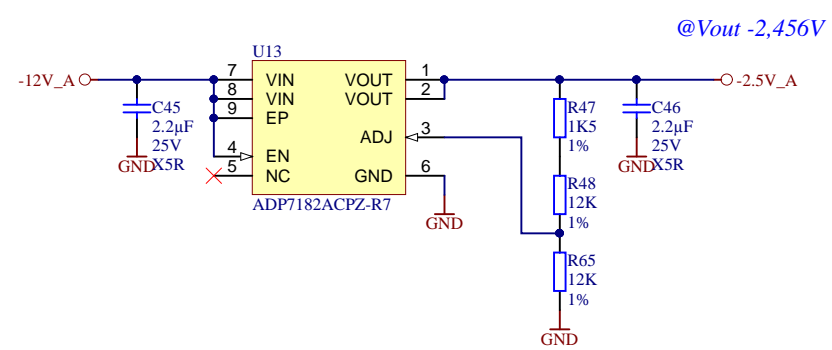
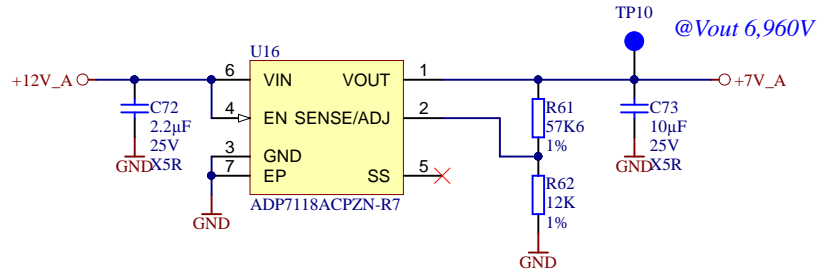
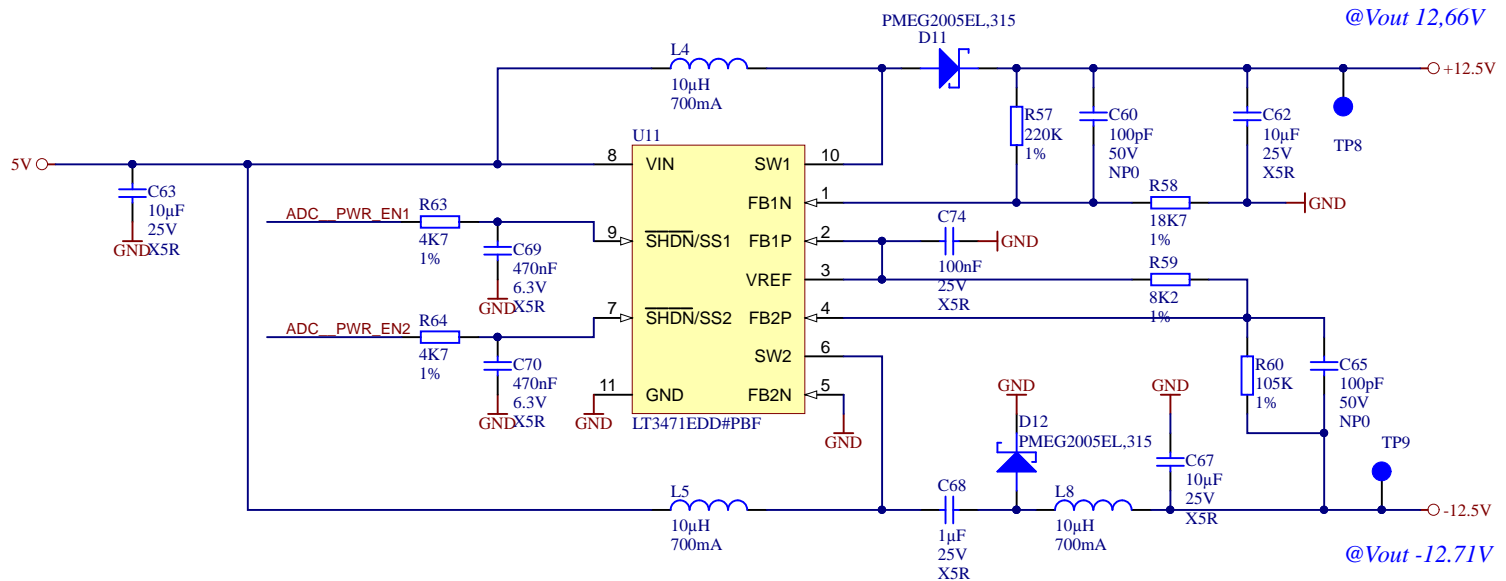
Title: <b>FTDI</b>		
A4	Number: <b>TEI0016 08-C8B</b>	Rev. <b>03</b>
Date: <b>2019-07-26</b>	Copyright: <b>Trenz Electronic GmbH</b>	Page <b>5</b> of <b>10</b>
Filename: <b>FTDI.SchDoc</b>		



		Title: <b>SENSOR Flash RAM</b>	
		A4	Number: <b>TEI0016 08-C8B</b>
Date: <b>2019-07-26</b>		Copyright: <b>Trenz Electronic GmbH</b>	
Filename: <b>SENSOR_Flash_RAM.SchDoc</b>		Page <b>6</b> of <b>10</b>	

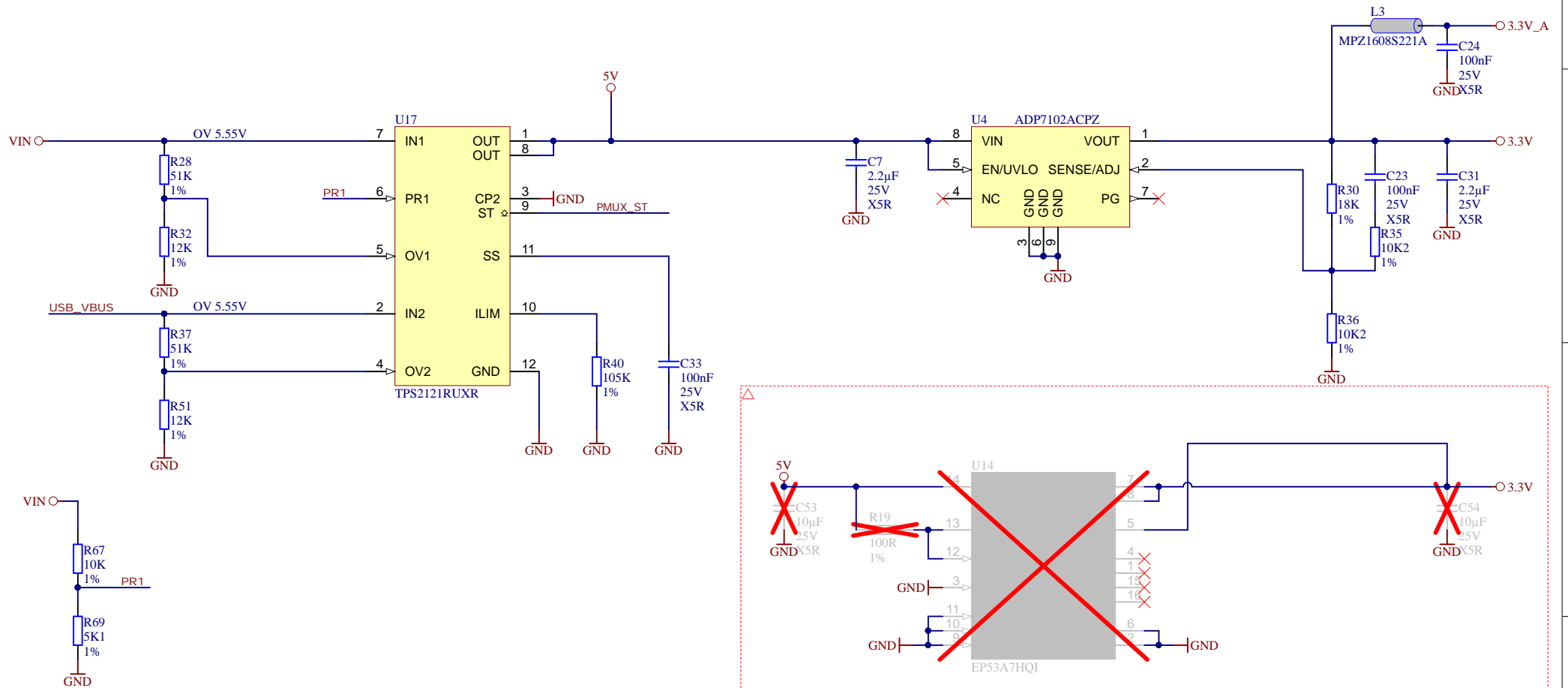



			Title: ADC	
			A4	Number: TEI0016 08-C8B
Date: 2019-07-26		Copyright: Trenz Electronic GmbH		Page 7 of 10
Filename: ADC.SchDoc				



Title: <b>Analog power</b>		
A4	Number: <b>TEI0016 08-C8B</b>	Rev. <b>03</b>
Date: 2019-07-26	Copyright: Trenz Electronic GmbH	Page8 of 10
Filename: <b>Analog_power.SchDoc</b>		





		Title: <b>PowerSupply</b>	
		A4	Number: <b>TEI0016 08-C8B</b>
Date: <b>2019-07-26</b>		Copyright: <b>Trenz Electronic GmbH</b>	
Filename: <b>PowerSupply.SchDoc</b>		Page <b>9</b> of <b>10</b>	

1

2

3


4

Revision 02:

- 1) VY: Replaced inductors L4, L5, L8 to 10µH L0603B100MDWFT
- 2) VY: Replaced diodes D11, D12 to PMEG2005EL,315
- 3) VY: Revised U6 gain circuit (R38, R39)
- 4) VY: Revised U6 reference voltage divider (R18)
- 5) ED: Deleted T1A, T1B, T2A, T2B, T3A, T3B, R27, R28, R29, R30, R31, R32, R40 and C7
- 6) ED: Inserted power mux (U17) instead
- 7) ED: Changed U4 to LDO (ADP7102ACPZ)
- 8) ED: Inserted D-Flipflop (U18)
- 9) ED: Inserted oscillator (U19)
- 10) ED: Replaced inductors L4, L5, L8 to 10 µH MLP2520S100ST0S1
- 11) ED: Changed SMA connectors
- 12) ED Changed U1 SHDN#/SS1, SHDN#/SS2 connections

Revision 03:

- 1) VT: Added optional DCDC (U14, C53,C54,R19)

	Title: <b>Revision Changes</b>		
	A4	Number: <b>TEI0016 08-C8B</b>	Rev. <b>03</b>
	Date: <b>2019-07-26</b>	Copyright: <b>Trenz Electronic GmbH</b>	Page <b>10</b> of <b>10</b>
	Filename: <b>Revision_Changes.SchDoc</b>		

1

2

3

4