

1

2

3

4

A

A

B

B

C

C

D

D

U\_A-Headers  
A-Headers.SchDoc



U\_FPGA  
FPGA.SchDoc



U\_ADC  
ADC.SchDoc



U\_FTDI  
FTDI.SchDoc



U\_SENSOR\_Flash\_RAM  
SENSOR\_Flash\_RAM.SchDoc



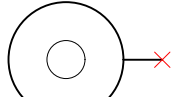
U\_FPGA\_MISC  
FPGA\_MISC.SchDoc



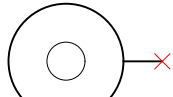
U\_PowerSupply  
PowerSupply.SchDoc



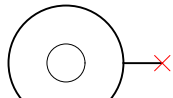
U\_A\_POWER  
Analog\_power.SchDoc



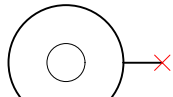
Mount.Hole 2mm (unplated)



Mount.Hole 2mm (unplated)

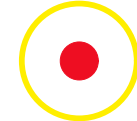


Mount.Hole 2mm (unplated)



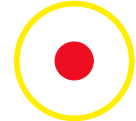
Mount.Hole 2mm (unplated)

PM1



FIDU-DOT - mini

PM2



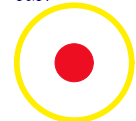
FIDU-DOT - mini

PM3



FIDU-DOT - mini

PM4



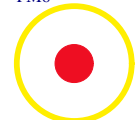
FIDU-DOT - mini

PM5



FIDU-DOT - mini

PM6



FIDU-DOT - mini

Assembly variant	08-C8A
Created by	IG
Modified by	VT
Modified at	2019-07-26
SVN Revision	12585

Serial  
Serial  
Serialnumber 6,3 x 6.3mm



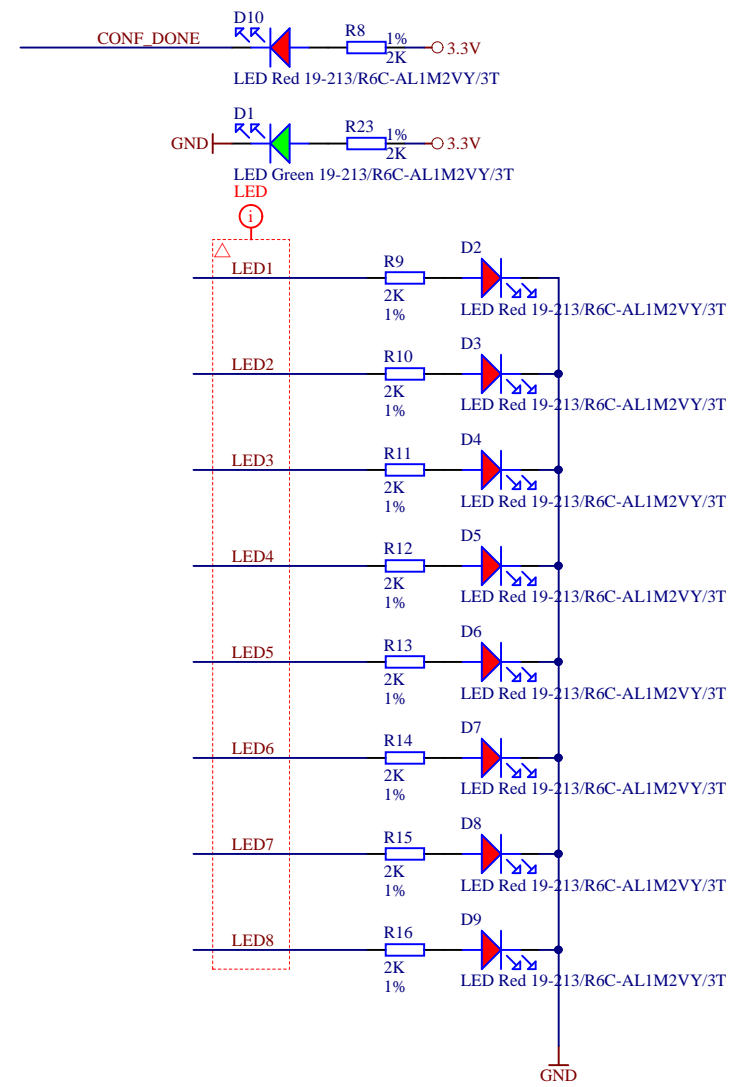
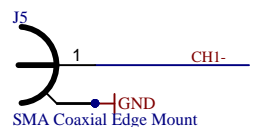
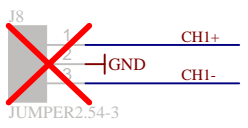
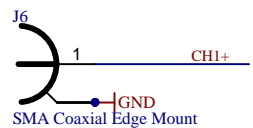
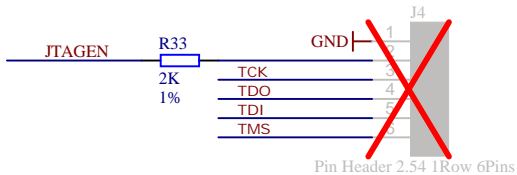
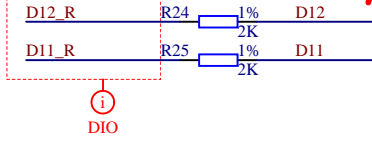
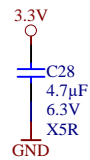
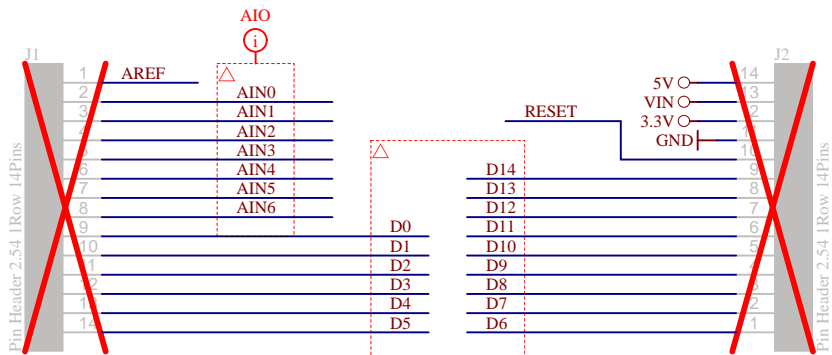
Title: TEI0023		
A4	Number: TEI0023 08-C8A	Rev. 01
Date: 31.01.2020	Copyright: Trenz Electronic GmbH	Page 1 of 10
Drawn by:	Filename: TEI0023.SchDoc	

1

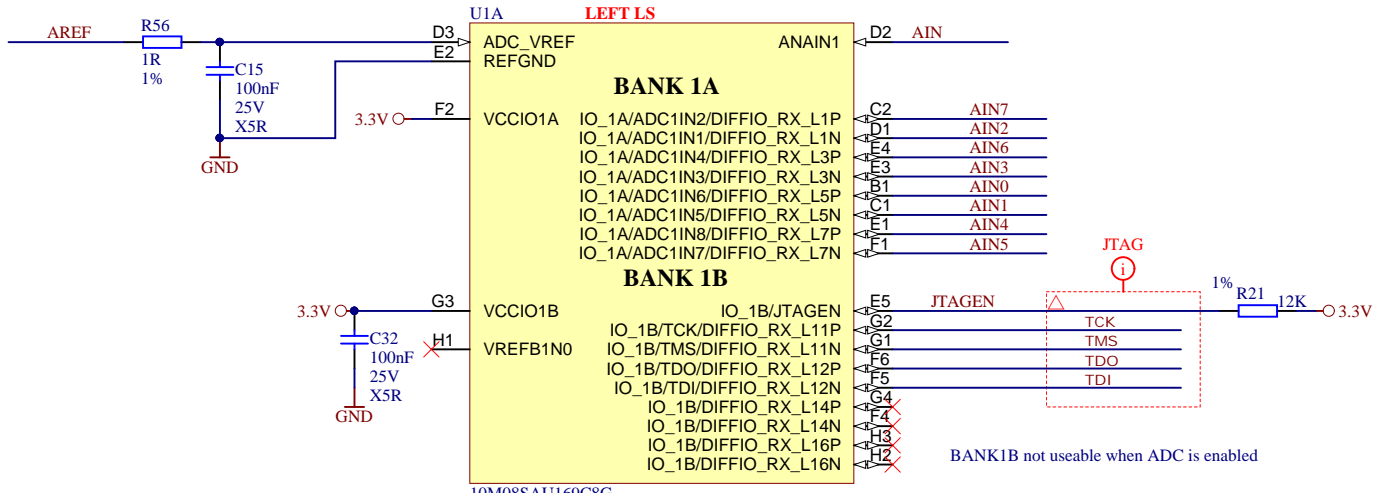
2

3

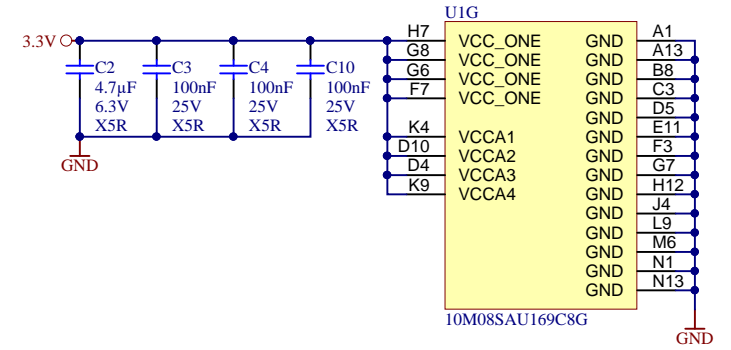
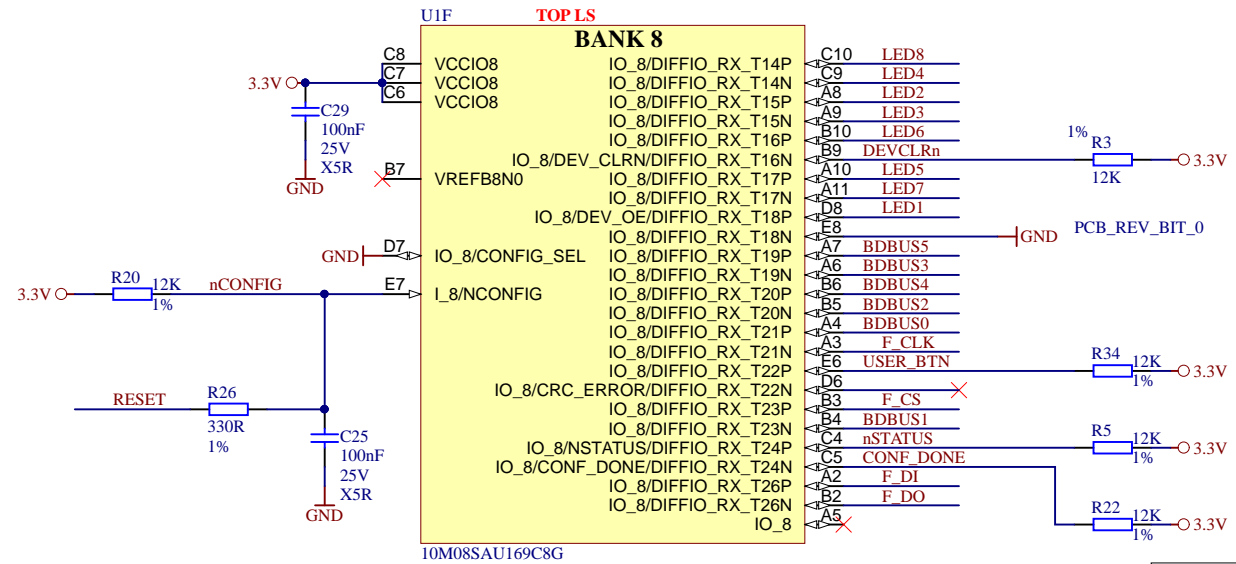
4



Title: Headers		
A4	Number: TEI0023 08-C8A	Rev. 01
Date: 31.01.2020	Copyright: Trenz Electronic GmbH	Page 2 of 10
Drawn by:	Filename: A-Headers.SchDoc	



BANK1B not useable when ADC is enabled



Title: <b>FPGA MISC</b>		
A4	Number: <b>TEI0023 08-C8A</b>	Rev. <b>01</b>
Date: <b>31.01.2020</b>	Copyright: <b>Trenz Electronic GmbH</b>	Page <b>3</b> of <b>10</b>
Drawn by:	Filename: <b>FPGA_MISC.SchDoc</b>	

A

A

B

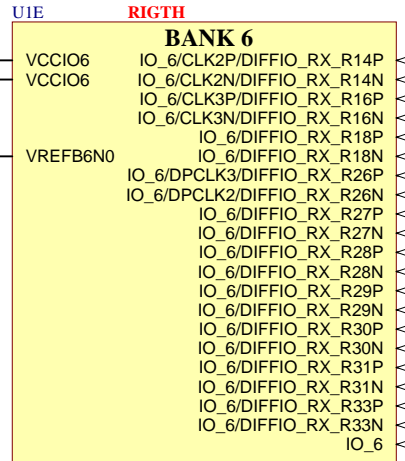
B

C

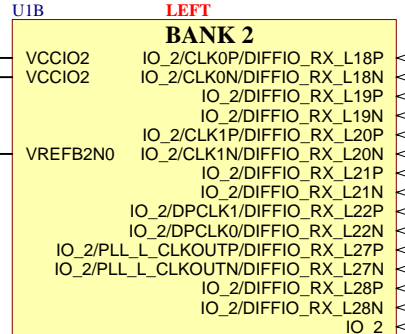
C

D

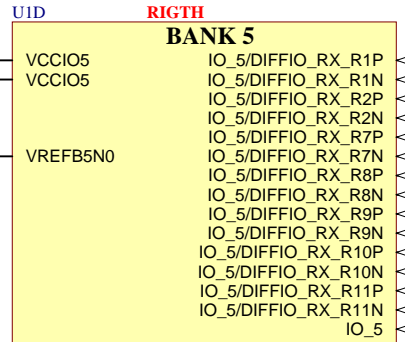
D



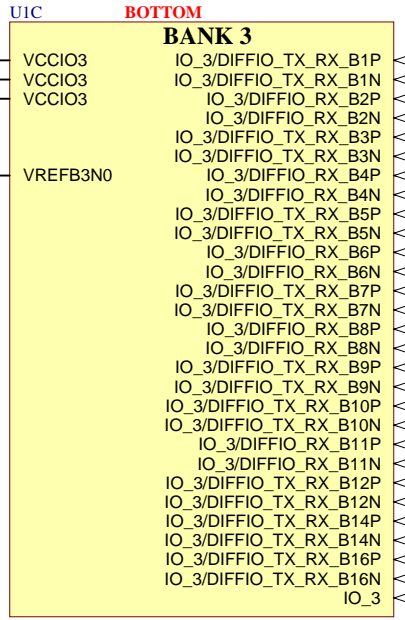
10M08SAU169C8G



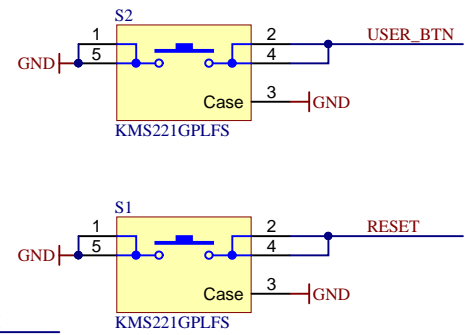
10M08SAU169C8G



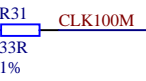
10M08SAU169C8G



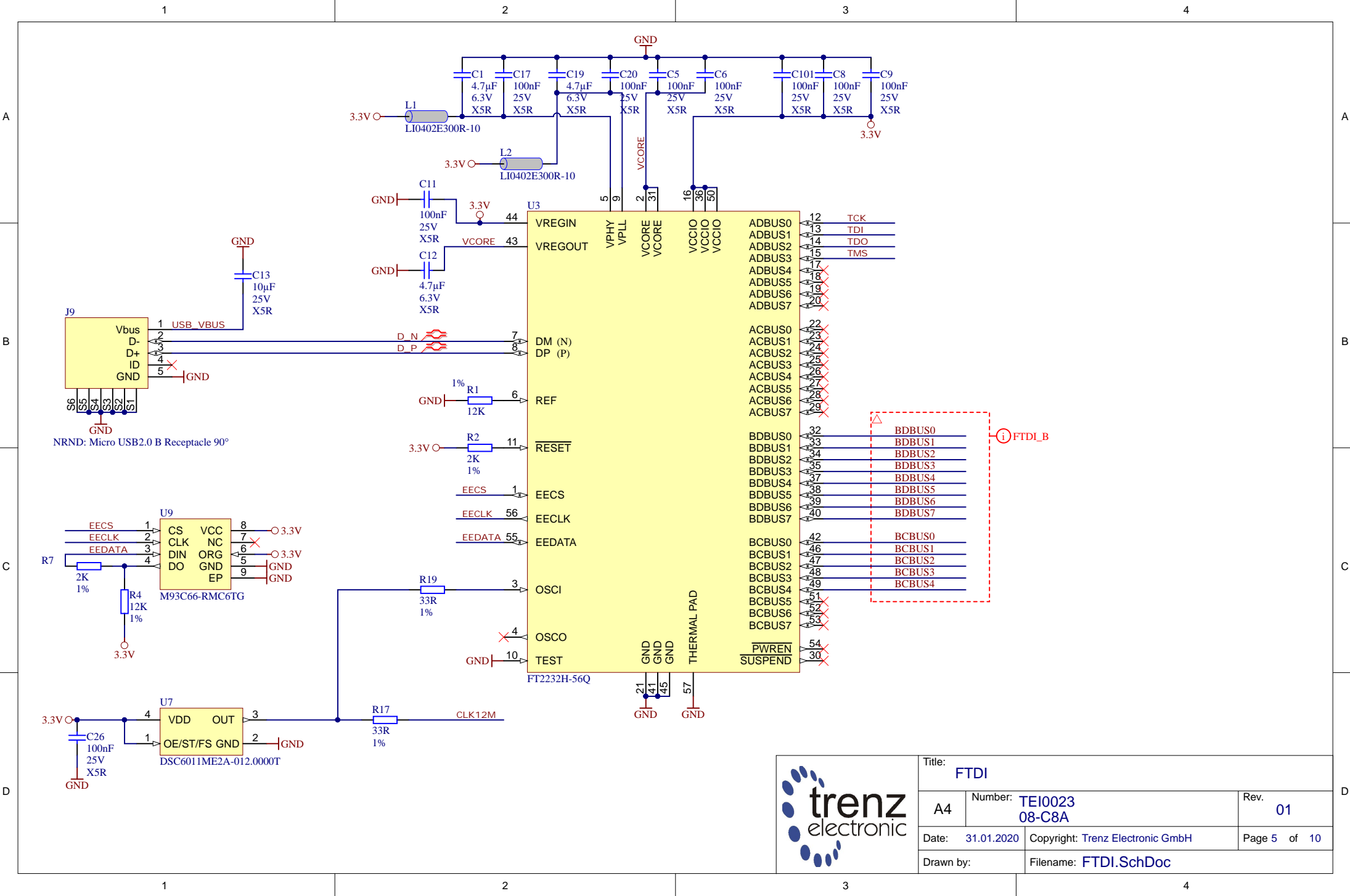
10M08SAU169C8G



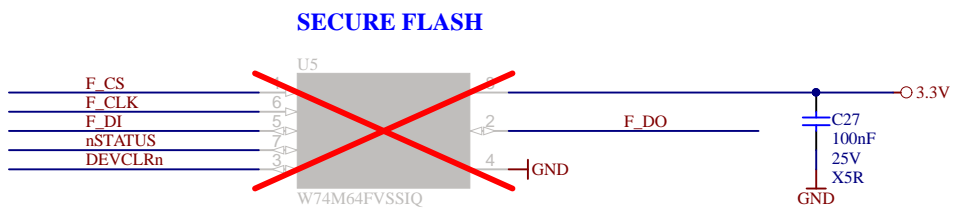
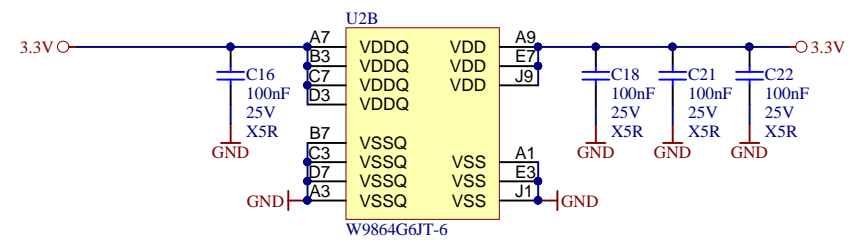
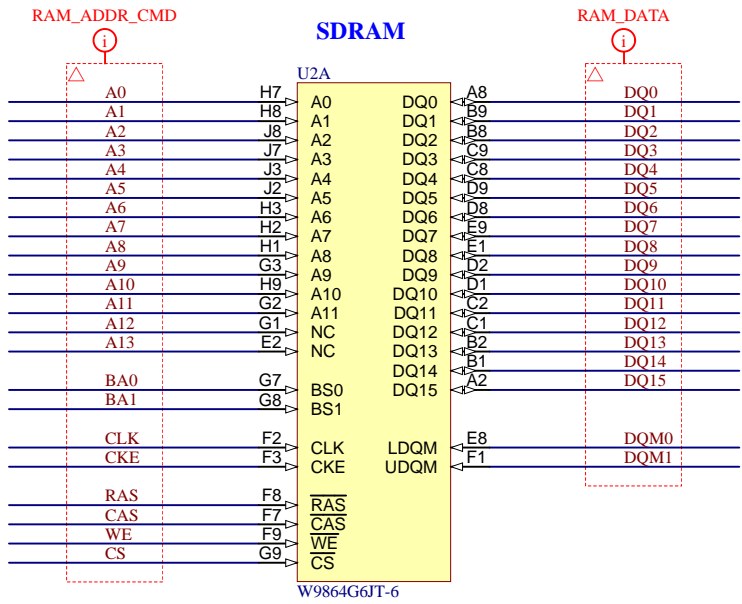
D11\_R




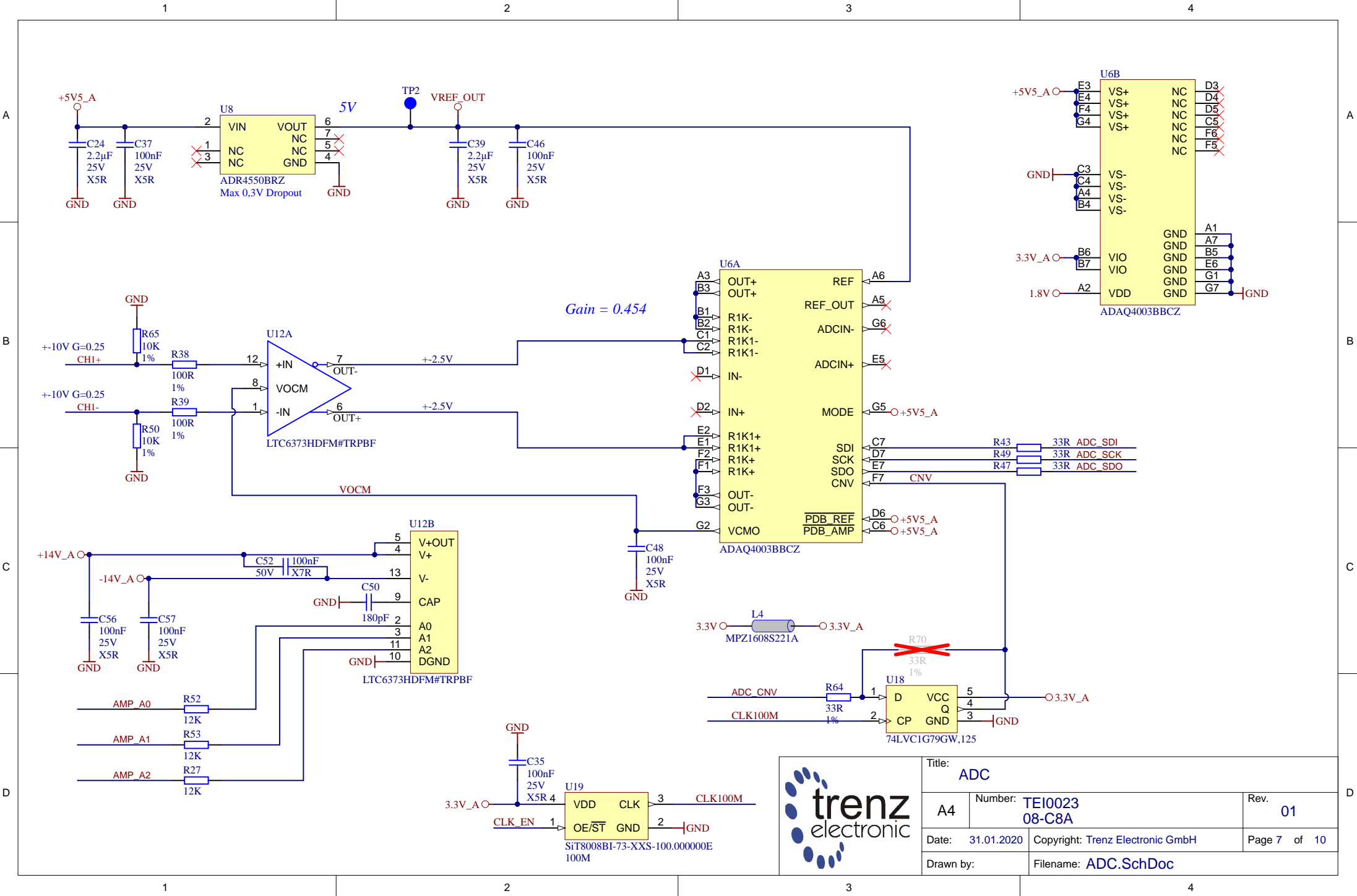
Title: <b>FPGA</b>		
A4	Number: <b>TEI0023 08-C8A</b>	Rev. <b>01</b>
Date: <b>31.01.2020</b>	Copyright: <b>Trenz Electronic GmbH</b>	Page <b>4</b> of <b>10</b>
Drawn by:	Filename: <b>FPGA.SchDoc</b>	



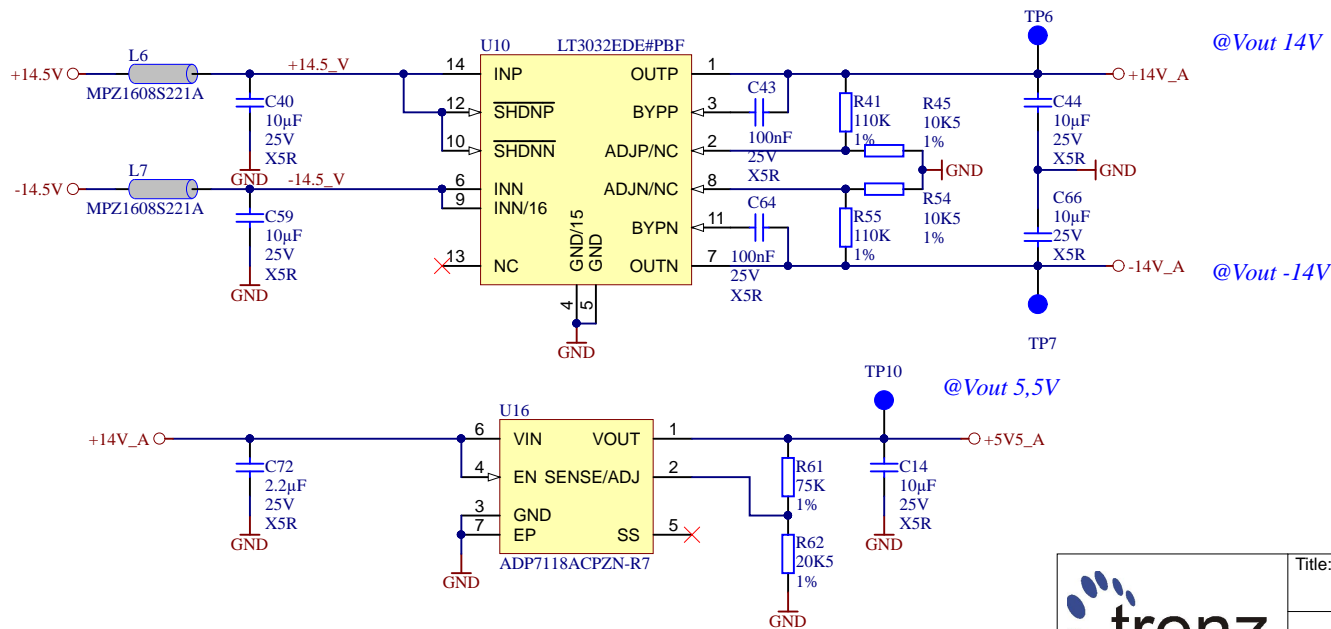
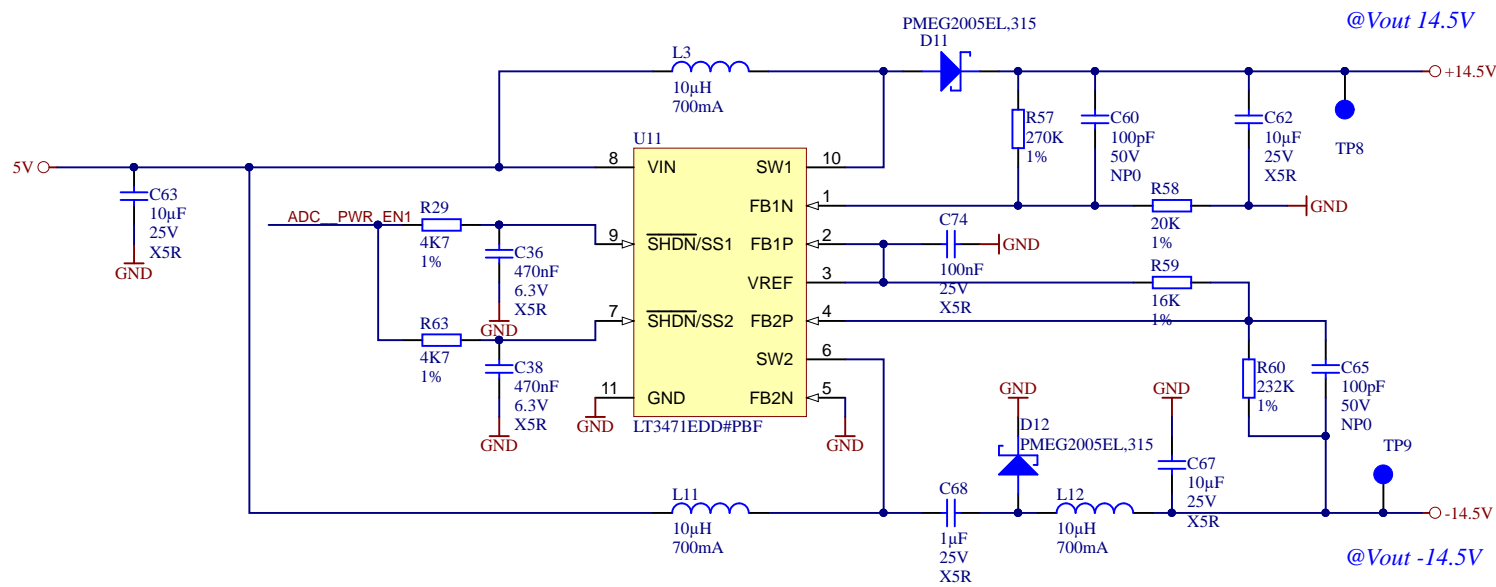
Title: <b>FTDI</b>		
A4	Number: <b>TEI0023 08-C8A</b>	Rev. <b>01</b>
Date: <b>31.01.2020</b>	Copyright: <b>Trenz Electronic GmbH</b>	Page <b>5</b> of <b>10</b>
Drawn by:	Filename: <b>FTDI.SchDoc</b>	



		Title: <b>Flash RAM</b>	
		A4	Number: <b>TEI0023 08-C8A</b>
Date: <b>31.01.2020</b>		Copyright: <b>Trenz Electronic GmbH</b>	
Page <b>6</b> of <b>10</b>		Filename: <b>SENSOR_Flash_RAM.SchDoc</b>	



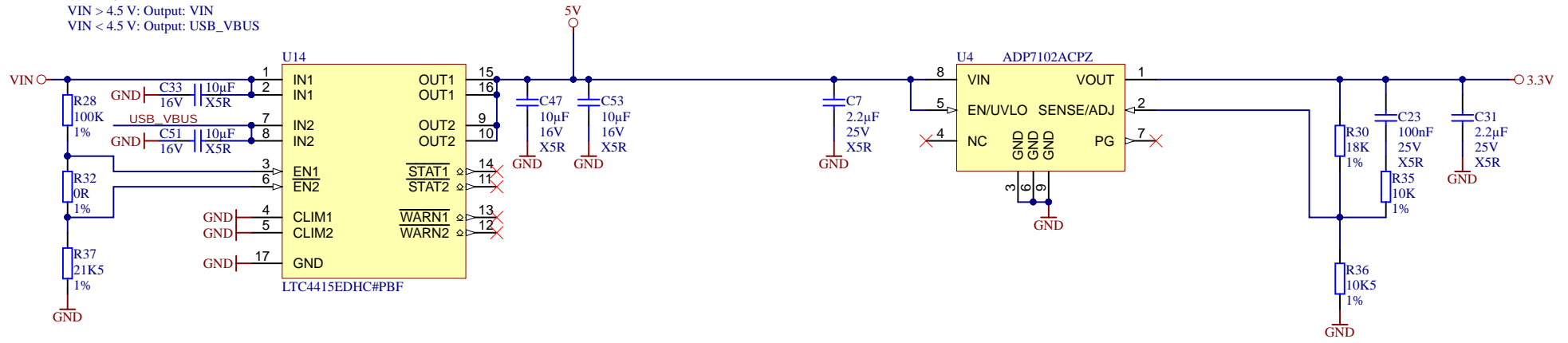
Title: <b>ADC</b>		
A4	Number: <b>TEI0023 08-C8A</b>	Rev. <b>01</b>
Date: <b>31.01.2020</b>	Copyright: <b>Trenz Electronic GmbH</b>	Page <b>7</b> of <b>10</b>
Drawn by:	Filename: <b>ADC.SchDoc</b>	



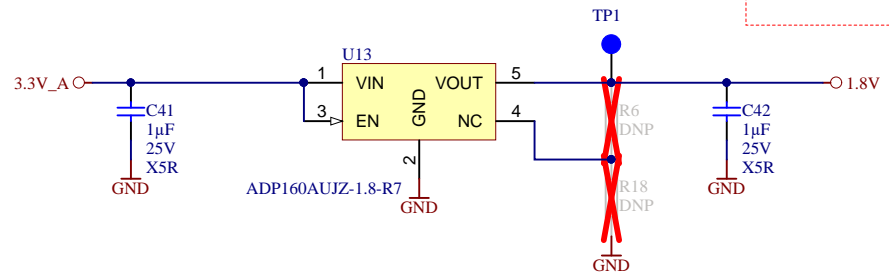
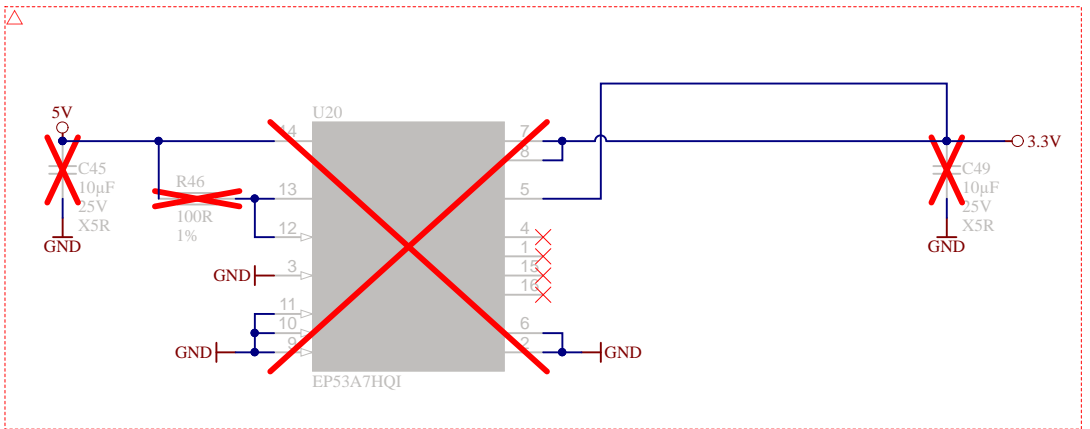
Title: Analog power		
A4	Number: TEI0023 08-C8A	Rev. 01
Date: 31.01.2020	Copyright: Trenz Electronic GmbH	Page 8 of 10
Drawn by:	Filename: Analog_power.SchDoc	



V<sub>th</sub> = 4.5 V  
 VIN > 4.5 V: Output: VIN  
 VIN < 4.5 V: Output: USB\_VBUS



3 resistors for other circuit possibility



	Title: PowerSupply		
	A4	Number: TEI0023 08-C8A	Rev. 01
	Date: 31.01.2020	Copyright: Trenz Electronic GmbH	Page 9 of 10
	Drawn by:	Filename: PowerSupply.SchDoc	

1

2

3

4

Revision 01

A

A

B

B

C

C

D

D



Title: <b>Revision Changes</b>		
A4	Number: <b>TEI0023 08-C8A</b>	Rev. <b>01</b>
Date: <b>2019-11-01</b>	Copyright: <b>Trenz Electronic GmbH</b>	Page <b>10</b> of <b>10</b>
Filename: <b>Revision_Changes.SchDoc</b>		

1

2

3

4