

1

2

3

4

A

A

B

B

C

C

D

D

U_A-Headers
A-Headers.SchDoc

U_FPGA
FPGA.SchDoc

U_ADC
ADC.SchDoc

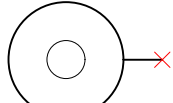
U_FTDI
FTDI.SchDoc

U_SENSOR_Flash_RAM
SENSOR_Flash_RAM.SchDoc

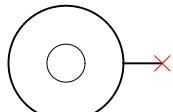
U_FPGA_MISC
FPGA_MISC.SchDoc

U_PowerSupply
PowerSupply.SchDoc

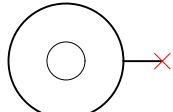
U_A_POWER
Analog_power.SchDoc



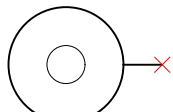
Mount.Hole 2mm (unplated)



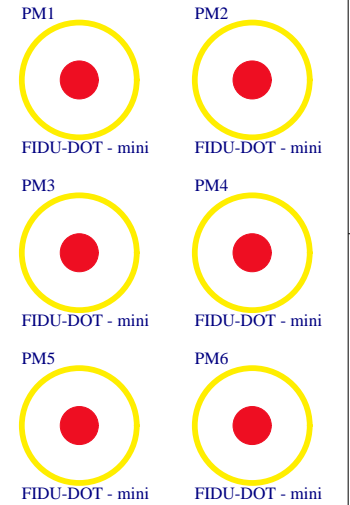
Mount.Hole 2mm (unplated)



Mount.Hole 2mm (unplated)



Mount.Hole 2mm (unplated)



| | |
|------------------|------------|
| Assembly variant | 08-C8B |
| Created by | ED |
| Modified by | ED |
| Modified at | 2020-02-06 |
| SVN Revision | 12589 |

Serial
Serial
Serialnumber 6,3 x 6.3mm



| | | |
|------------------|----------------------------------|--------------|
| Title: TEI0023 | | |
| A4 | Number: TEI0023 08-C8B | Rev. 01 |
| Date: 31.01.2020 | Copyright: Trenz Electronic GmbH | Page 1 of 10 |
| Drawn by: | Filename: TEI0023.SchDoc | |

1

2

3

4

A

B

C

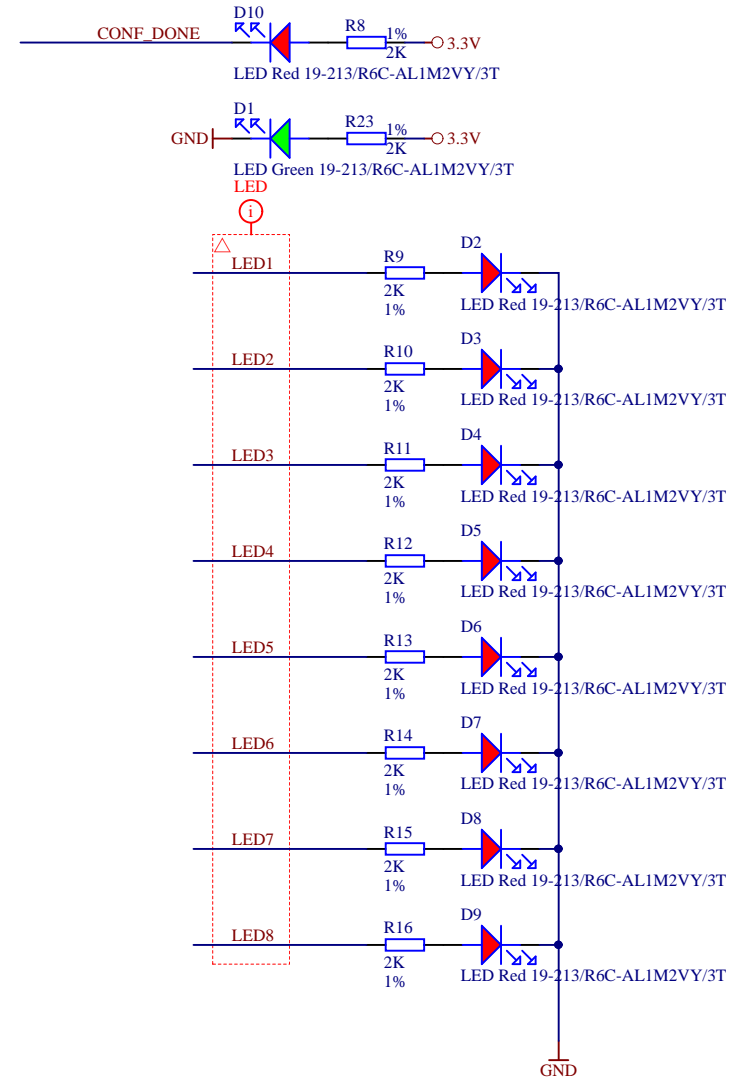
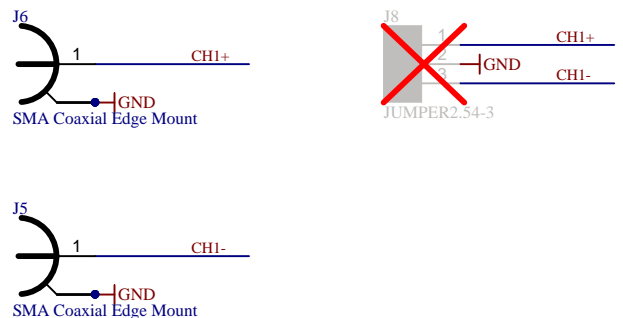
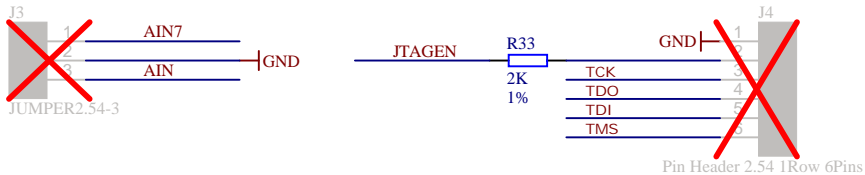
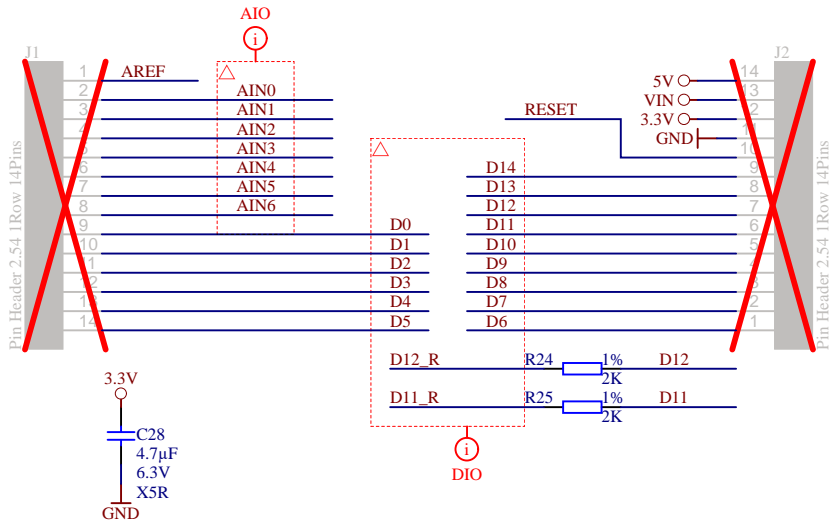
D

A

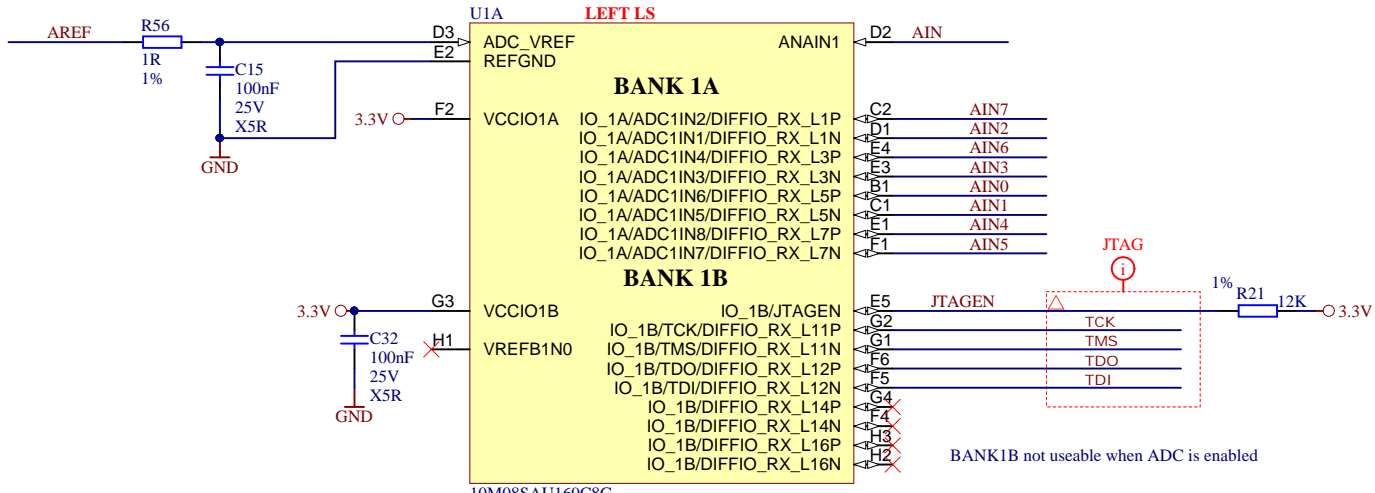
B

C

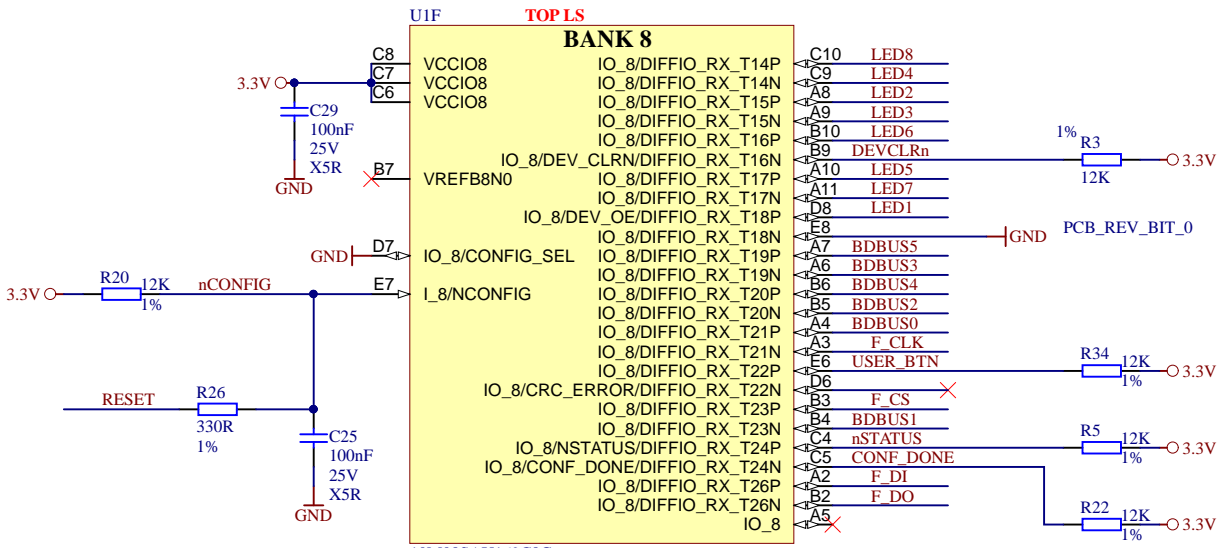
D



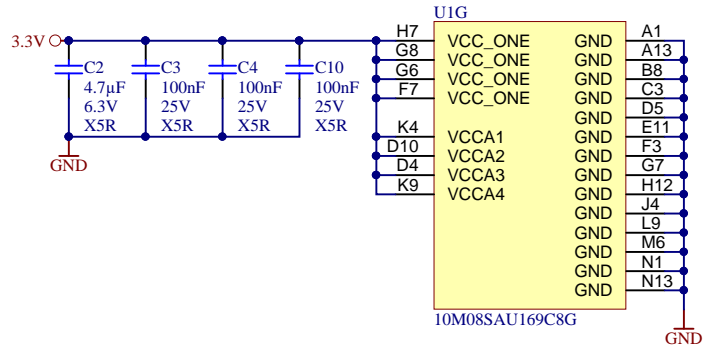
| | | |
|------------------|----------------------------------|--------------|
| Title: Headers | | |
| A4 | Number: TEI0023 08-C8B | Rev. 01 |
| Date: 31.01.2020 | Copyright: Trenz Electronic GmbH | Page 2 of 10 |
| Drawn by: | Filename: A-Headers.SchDoc | |



10M08SAU169C8G



10M08SAU169C8G



10M08SAU169C8G



| | | |
|-------------------------|---|----------------------------|
| Title: FPGA MISC | | |
| A4 | Number: TEI0023 08-C8B | Rev. 01 |
| Date: 31.01.2020 | Copyright: Trenz Electronic GmbH | Page 3 of 10 |
| Drawn by: | Filename: FPGA_MISC.SchDoc | |

A

B

C

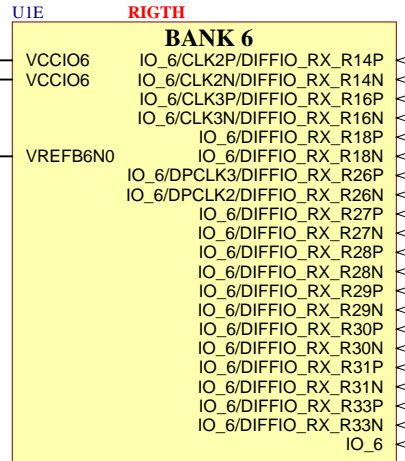
D

A

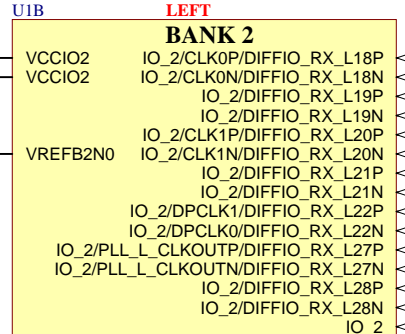
B

C

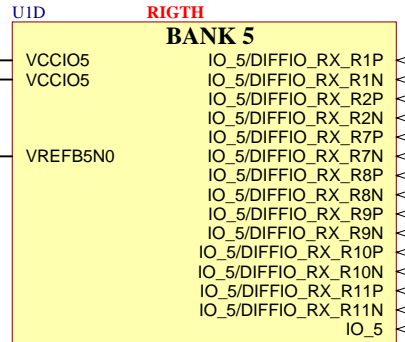
D



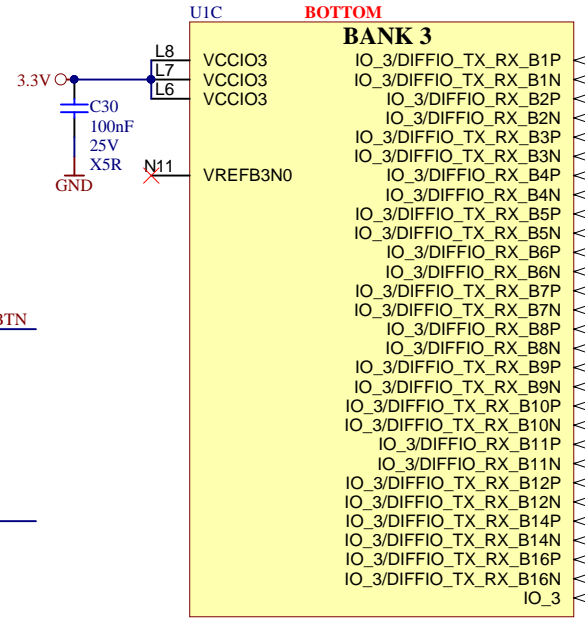
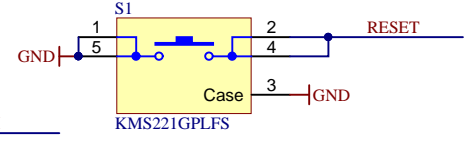
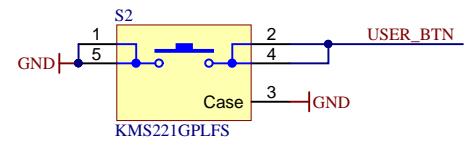
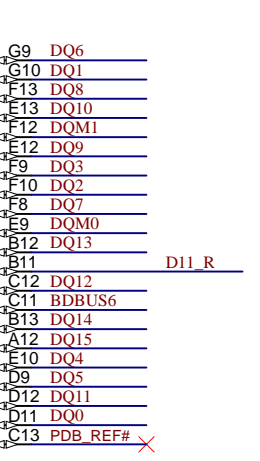
10M08SAU169C8G



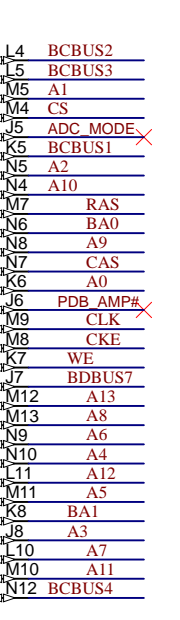
10M08SAU169C8G



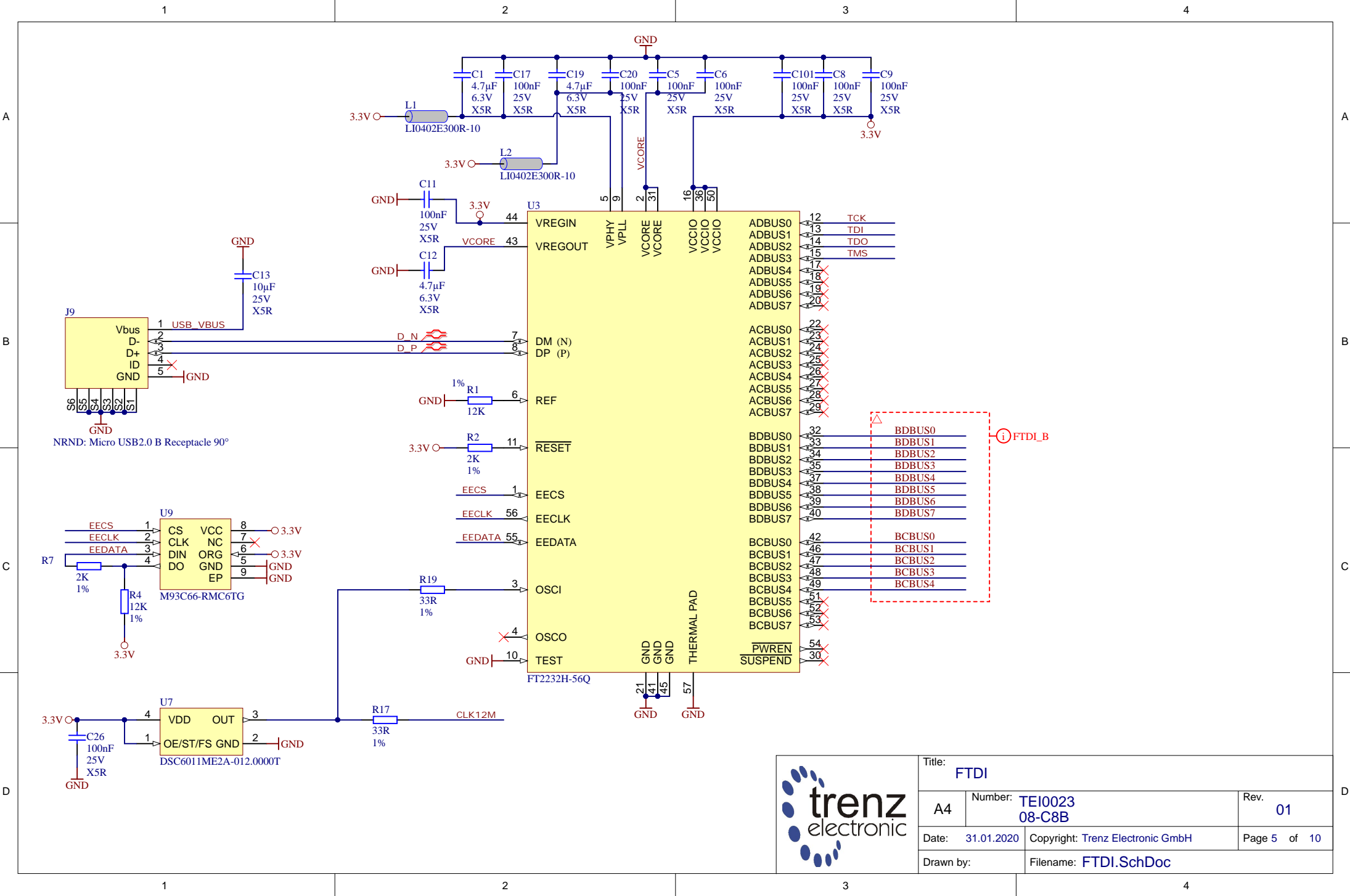
10M08SAU169C8G



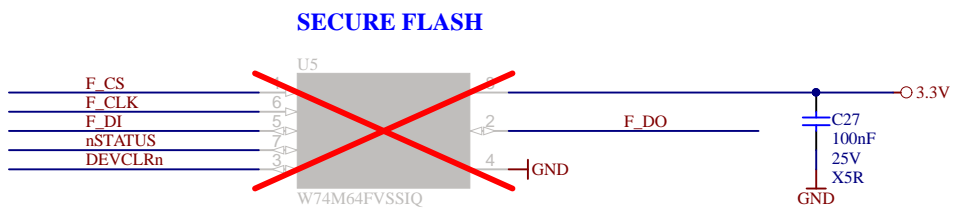
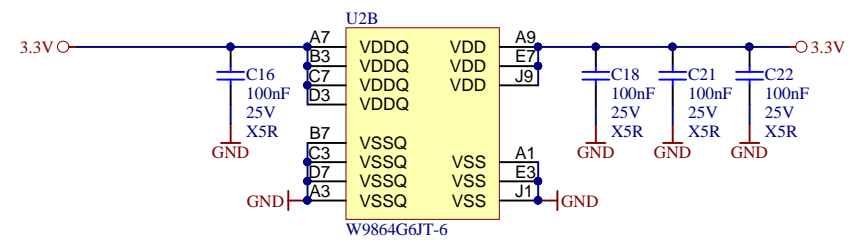
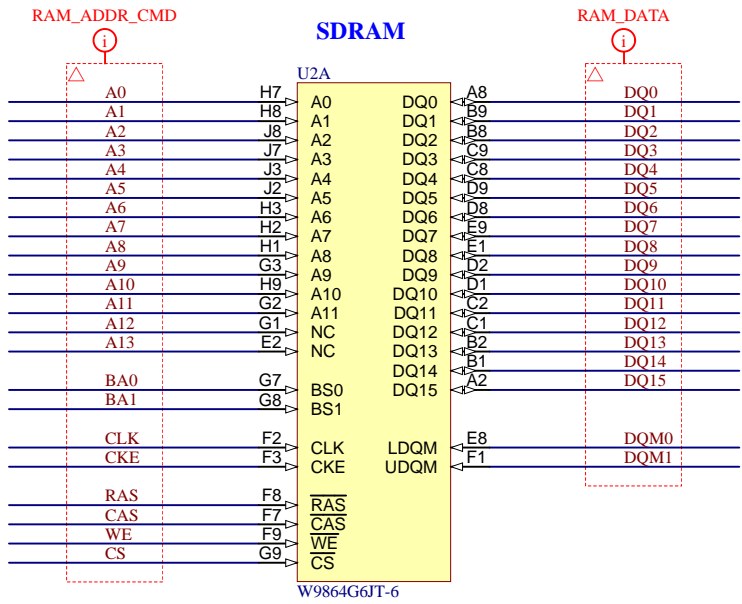
10M08SAU169C8G



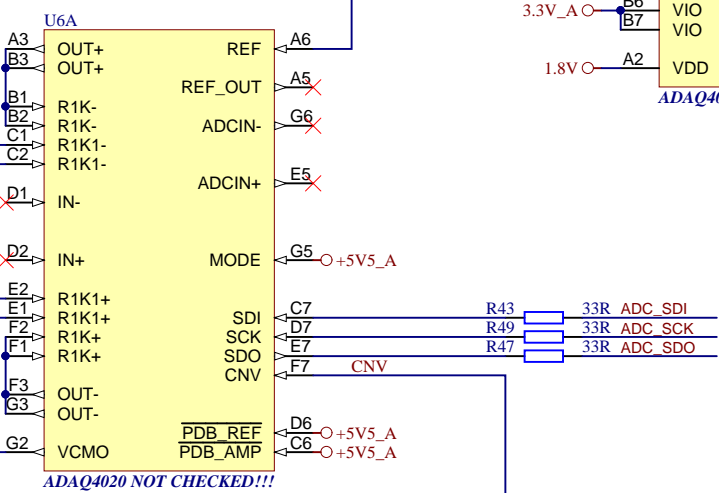
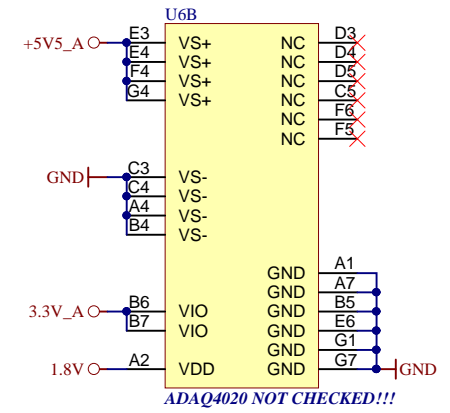
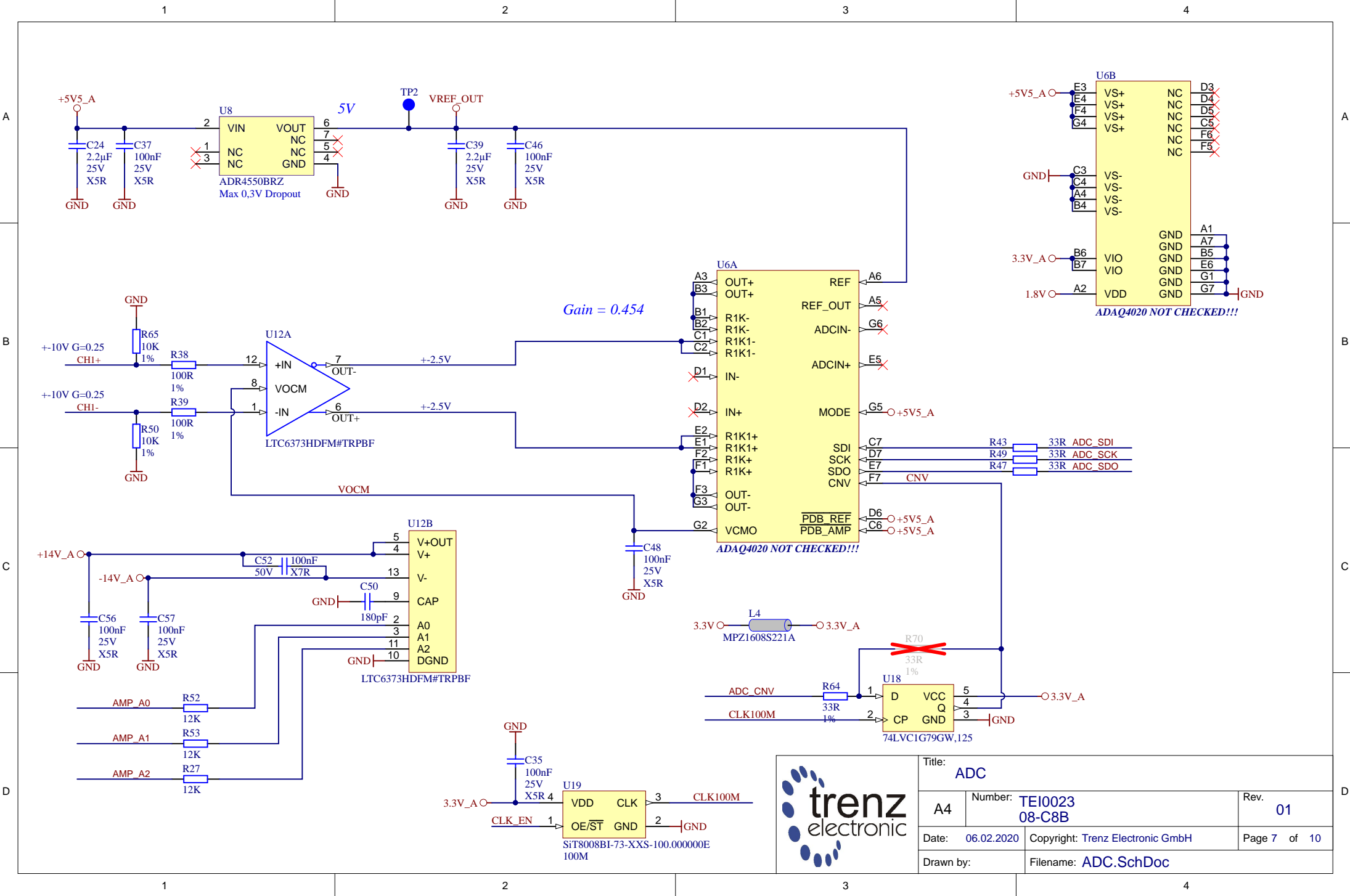
| | | |
|-------------------------|---|----------------------------|
| Title: FPGA | | |
| A4 | Number: TEI0023 08-C8B | Rev. 01 |
| Date: 31.01.2020 | Copyright: Trenz Electronic GmbH | Page 4 of 10 |
| Drawn by: | Filename: FPGA.SchDoc | |



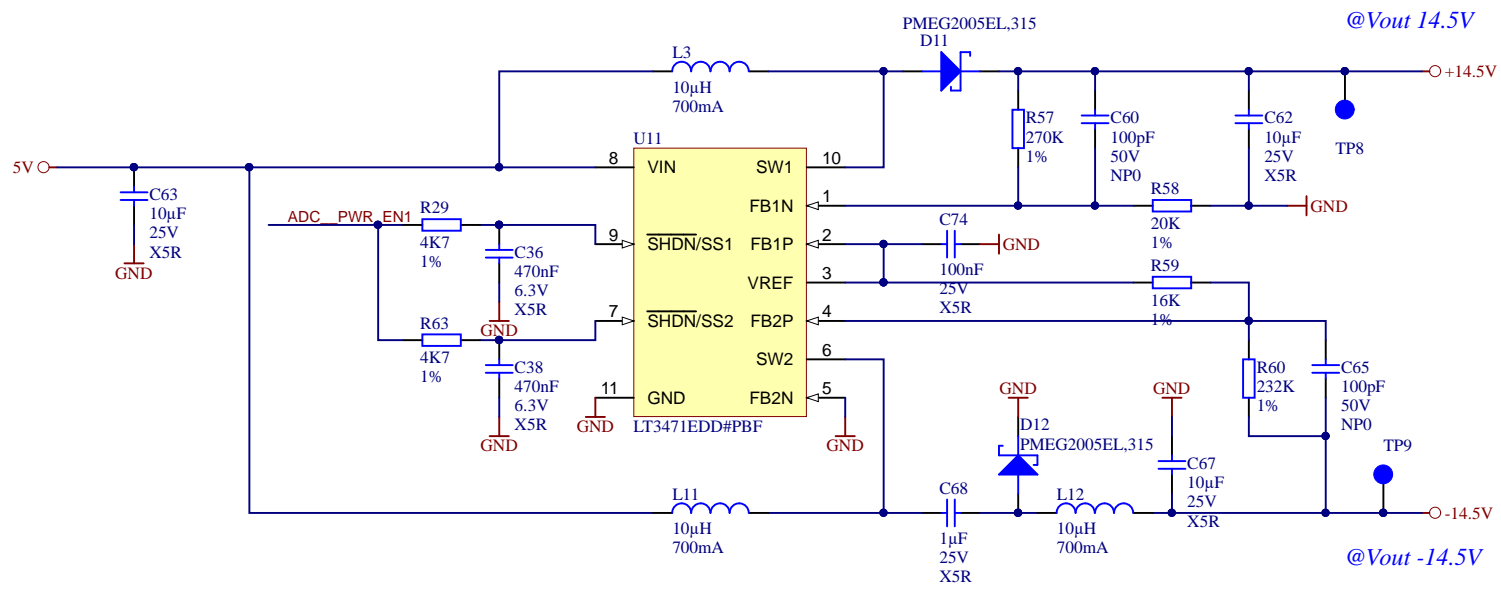
| | | |
|-------------------------|---|----------------------------|
| Title: FTDI | | |
| A4 | Number: TEI0023 08-C8B | Rev. 01 |
| Date: 31.01.2020 | Copyright: Trenz Electronic GmbH | Page 5 of 10 |
| Drawn by: | Filename: FTDI.SchDoc | |



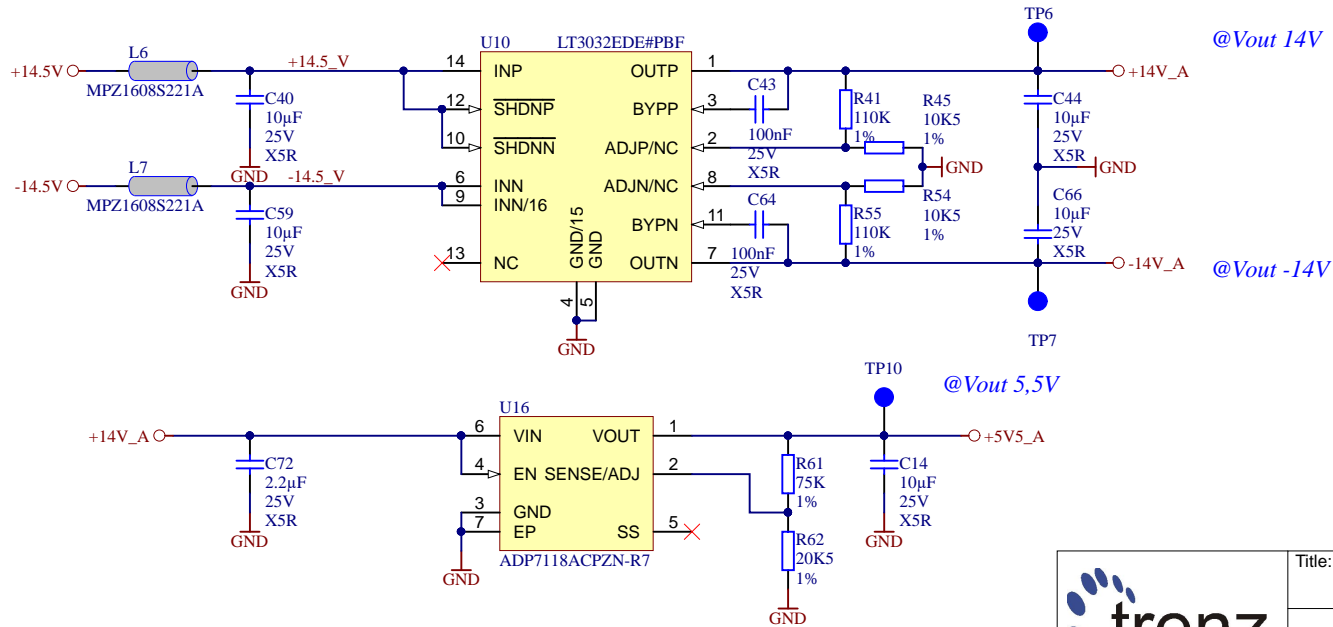
| | | | |
|--|-------------------------|--|----------------------------|
| | Title: Flash RAM | | |
| | A4 | Number: TEI0023 08-C8B | Rev. 01 |
| | Date: 31.01.2020 | Copyright: Trenz Electronic GmbH | Page 6 of 10 |
| | Drawn by: | Filename: SENSOR_Flash_RAM.SchDoc | |



| | | |
|------------------|----------------------------------|--------------|
| Title: ADC | | |
| A4 | Number: TEI0023 08-C8B | Rev. 01 |
| Date: 06.02.2020 | Copyright: Trenz Electronic GmbH | Page 7 of 10 |
| Drawn by: | Filename: ADC.SchDoc | |



DCDC



LDO



| | | |
|---------------------|----------------------------------|--------------|
| Title: Analog power | | |
| A4 | Number: TEI0023 08-C8B | Rev. 01 |
| Date: 31.01.2020 | Copyright: Trenz Electronic GmbH | Page 8 of 10 |
| Drawn by: | Filename: Analog_power.SchDoc | |

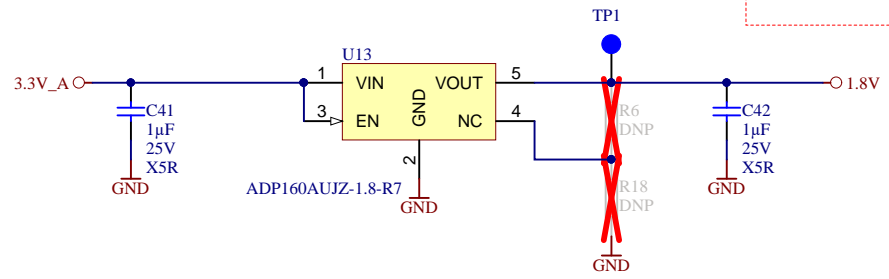
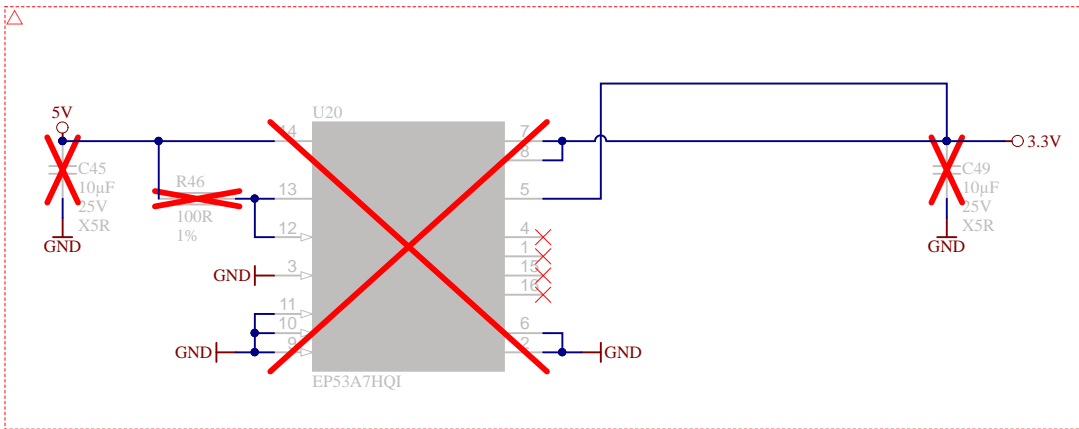
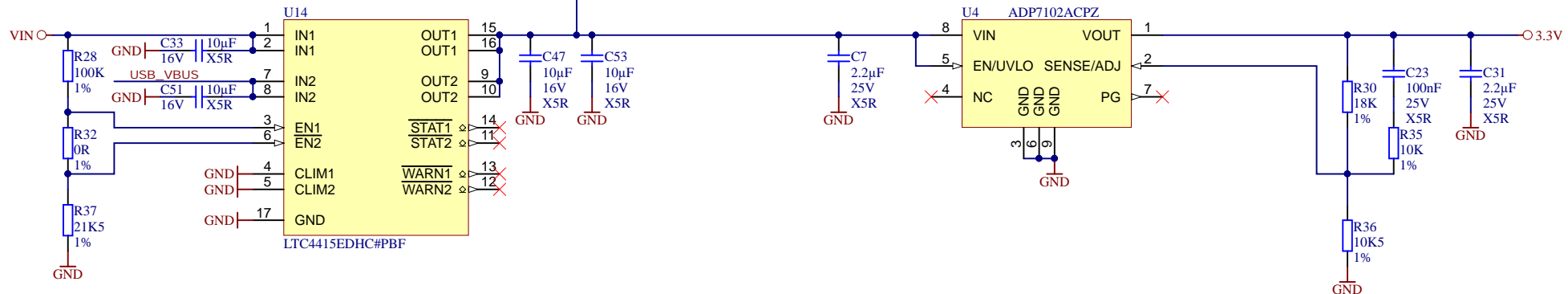
1


2

3

4

V_{th} = 4.5 V
 VIN > 4.5 V: Output: VIN
 VIN < 4.5 V: Output: USB_VBUS



| | | | | |
|---|--|----------------------------------|--------------------|---------------------------|
|  | | | Title: PowerSupply | |
| | | | A4 | Number: TEI0023 08-C8B |
| Date: 31.01.2020 | | Copyright: Trenz Electronic GmbH | | Page 9 of 10 |
| Drawn by: | | Filename: PowerSupply.SchDoc | | |

1

2

3

4

1

2

3

4

Revision 01

A

A

B

B

C

C

D

D



| | | |
|--|---|-----------------------------|
| Title: Revision Changes | | |
| A4 | Number: TEI0023 08-C8B | Rev. 01 |
| Date: 2019-11-01 | Copyright: Trenz Electronic GmbH | Page 10 of 10 |
| Filename: Revision_Changes.SchDoc | | |

1

2

3

4