

1

2

3

4

A

A

B

B

C

C

D

D

U_A-Headers
A-Headers.SchDoc



U_FPGA
FPGA.SchDoc



U_FPGA_MISC
FPGA_MISC.SchDoc



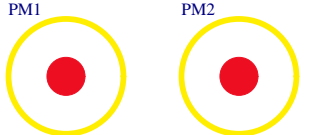
U_Flash_RAM
Flash_RAM.SchDoc



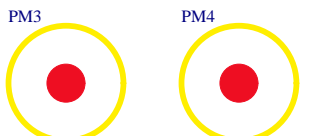
U_PowerSupply
PowerSupply.SchDoc



Serial
Serialnumber 6,3 x 6.3mm



FIDU-DOT - mini FIDU-DOT - mini



FIDU-DOT - mini FIDU-DOT - mini



FIDU-DOT - mini FIDU-DOT - mini



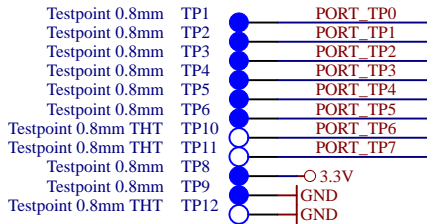
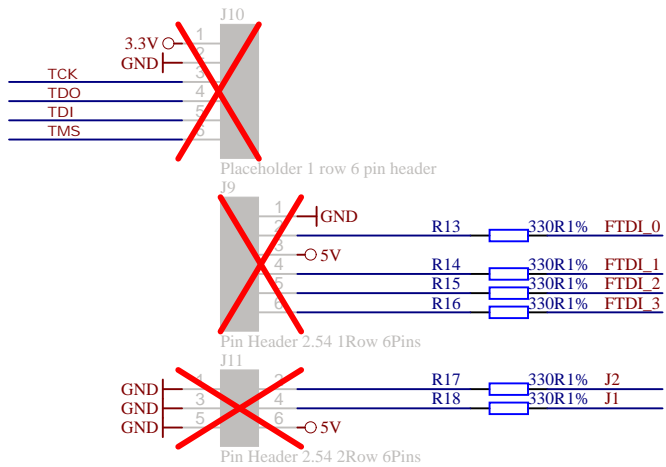
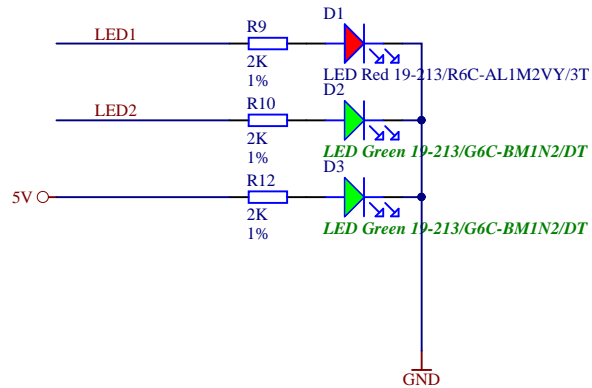
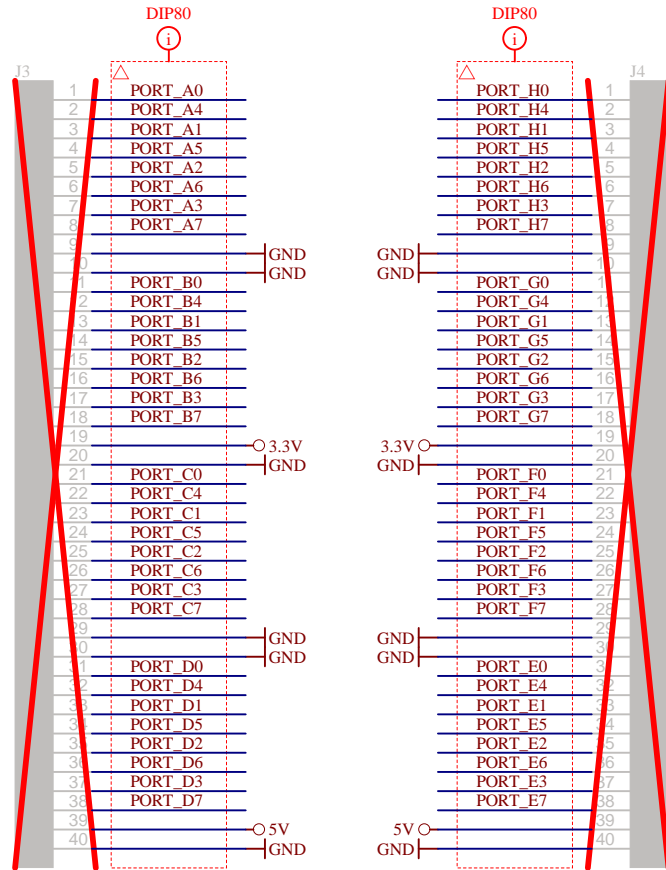
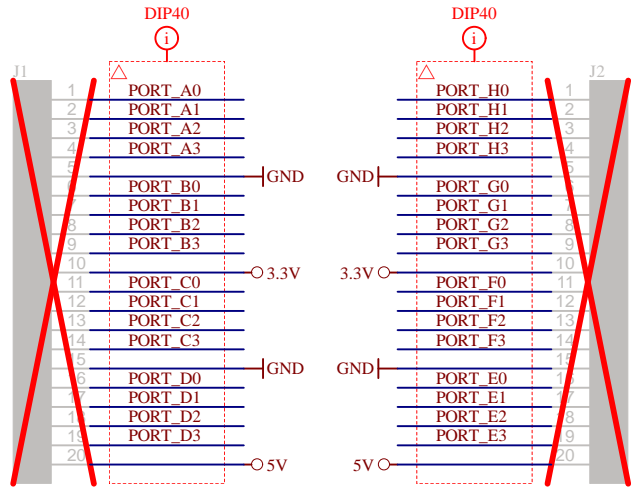
Title: TE0890 - S7Mini		
A4	Number: TE0890 P1C-5-A	Rev. 01
Date: 2018-08-06	Copyright: Trenz Electronic GmbH	Page1 of 6
Filename: TE0890.SchDoc		

1

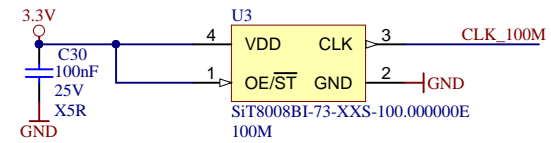
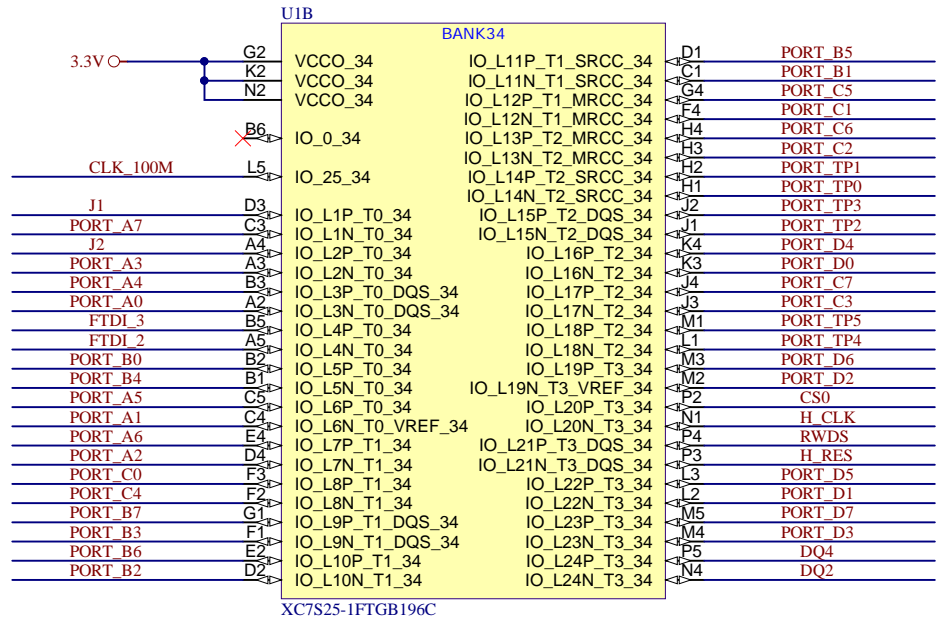
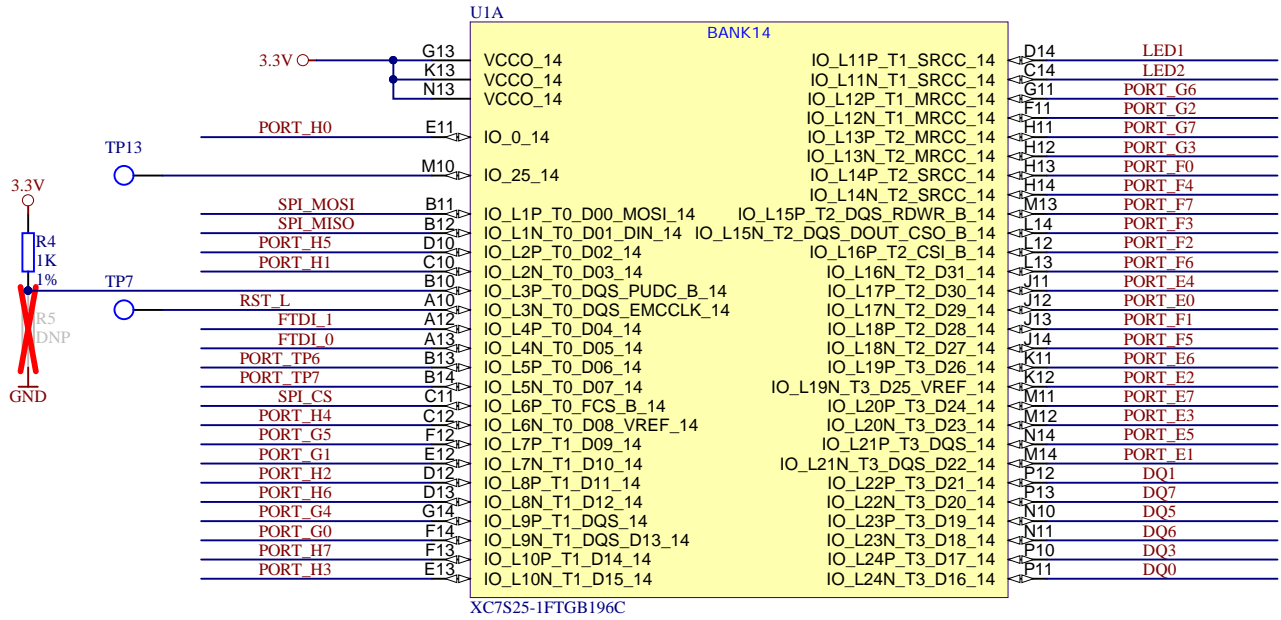
2

3

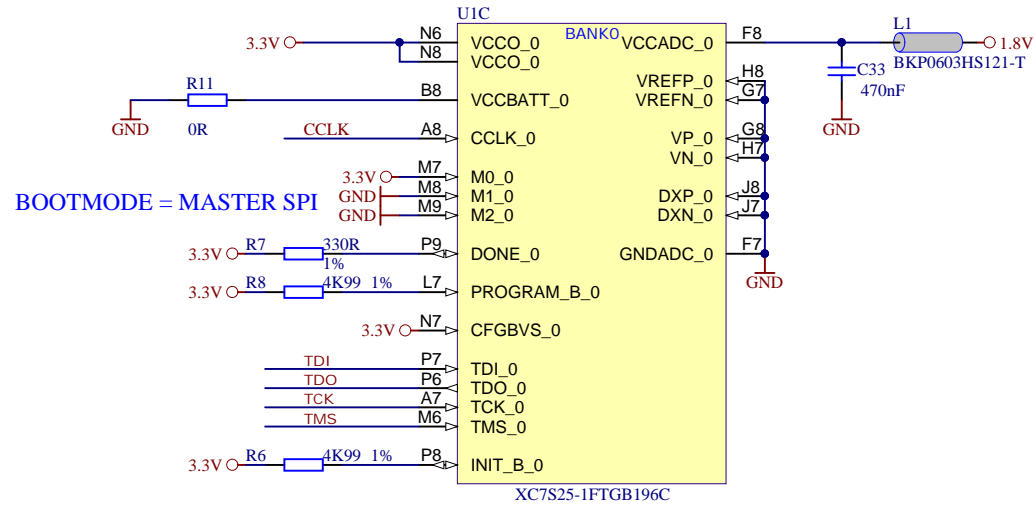
4



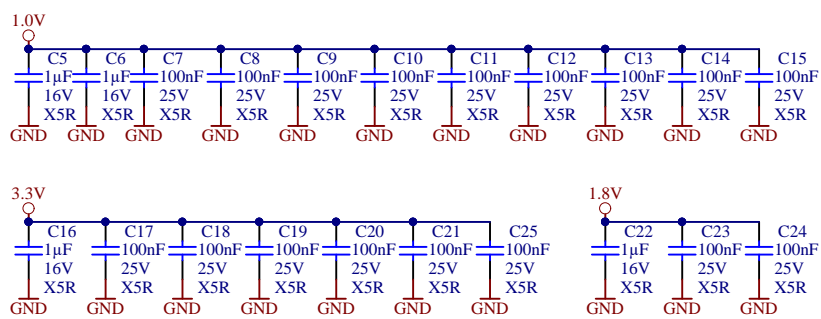
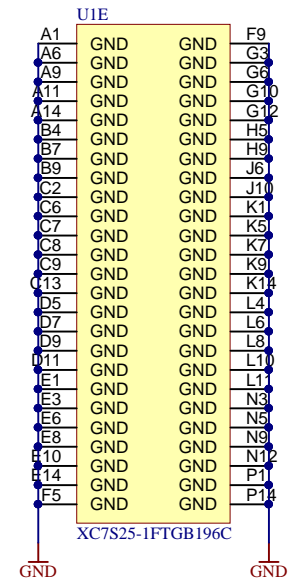
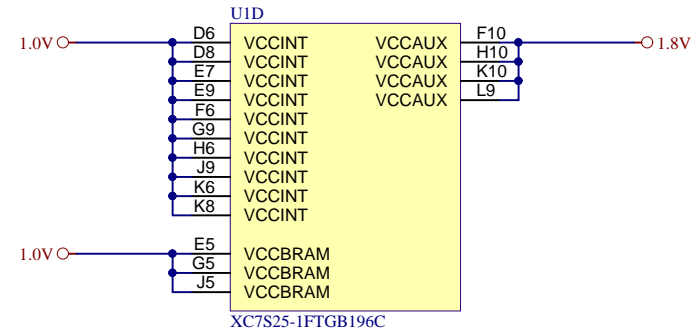
Title: TE0890 - S7Mini		
A4	Number: TE0890 P1C-5-A	Rev. 01
Date: 2018-08-06	Copyright: Trenz Electronic GmbH	Page2 of 6
Filename: A-Headers.SchDoc		



Title: TE0890 - S7Mini		
A4	Number: TE0890 P1C-5-A	Rev. 01
Date: 2018-08-06	Copyright: Trenz Electronic GmbH	Page 3 of 6
Filename: FPGA.SchDoc		



BOOTMODE = MASTER SPI



	Title: TE0890 - S7Mini		
	A4	Number: TE0890 P1C-5-A	Rev. 01
	Date: 2018-08-06	Copyright: Trenz Electronic GmbH	Page4 of 6
	Filename: FPGA_MISC.SchDoc		

1

2

3

4

A

A

B

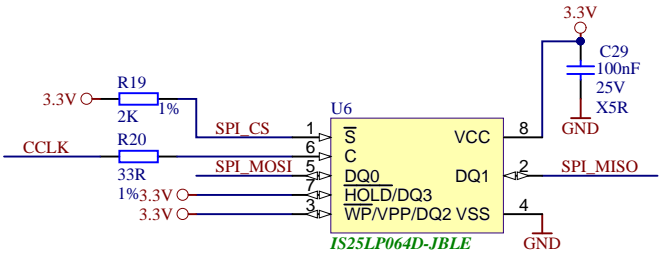
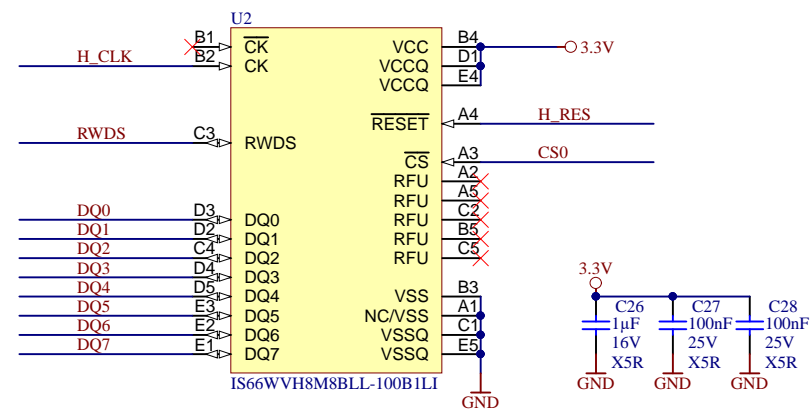
B

C

C

D

D



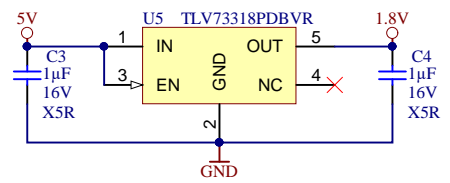
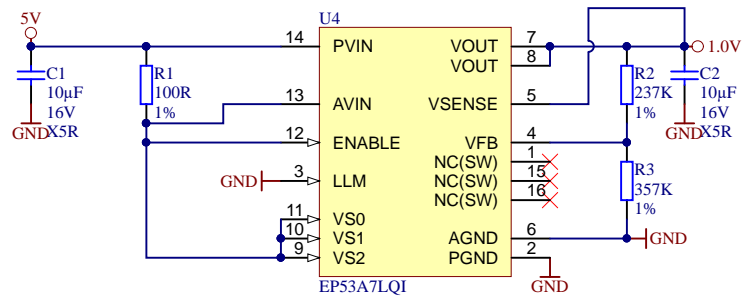
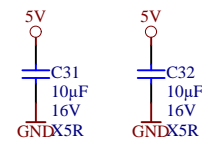
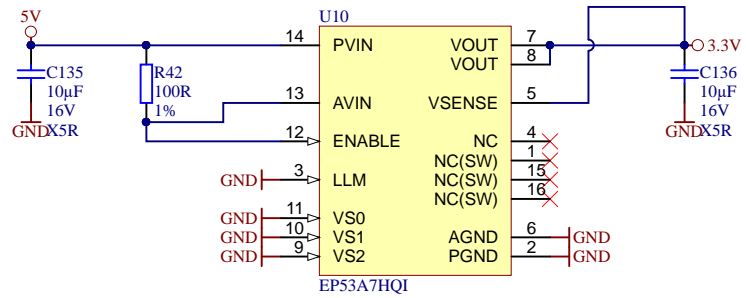
Title: TE0890 - S7Mini		
A4	Number: TE0890 P1C-5-A	Rev. 01
Date: 2018-08-06	Copyright: Trenz Electronic GmbH	Page 5 of 6
Filename: Flash_RAM.SchDoc		


1

2

3

4



	Title: TE0890 - S7Mini		
	A4	Number: TE0890 P1C-5-A	Rev. 01
	Date: 2018-08-06	Copyright: Trenz Electronic GmbH	Page6 of 6
	Filename: PowerSupply.SchDoc		